



US00D967361S

(12) **United States Design Patent**
Mercado

(10) **Patent No.:** **US D967,361 S**

(45) **Date of Patent:** **** Oct. 18, 2022**

(54) **HEAT EXCHANGER**

(71) Applicant: **Jose L. Mercado**, Lexington, SC (US)

(72) Inventor: **Jose L. Mercado**, Lexington, SC (US)

(73) Assignee: **MERCACING, LLC**, Lexington, SC (US)

(**) Term: **15 Years**

(21) Appl. No.: **29/746,784**

(22) Filed: **Aug. 17, 2020**

(51) **LOC (13) Cl.** **23-03**

(52) **U.S. Cl.**
USPC **D23/323**

(58) **Field of Classification Search**
USPC D23/342, 317, 330, 332, 335, 337;
D12/166
CPC .. F28F 13/00; F28F 13/007; F28F 1/10; F28F
1/02; F28F 1/053; F28F 9/02; F28F 9/00
See application file for complete search history.

(56) **References Cited**

U.S. PATENT DOCUMENTS

5,944,095	A *	8/1999	Fukuoka	F28F 9/0224	165/149
D678,492	S *	3/2013	Dong	D23/342	
D836,765	S *	12/2018	Puffer	D23/370	
D911,226	S *	2/2021	Tafe	D12/166	
D940,013	S *	1/2022	Wettig	D12/166	
2002/0017381	A1 *	2/2002	Ozaki	F28F 1/128	165/135
2003/0070796	A1 *	4/2003	Berning	F28F 9/02	228/183
2005/0061488	A1 *	3/2005	Yu	F28D 1/0443	165/140
2006/0157233	A1 *	7/2006	Ozaki	F28F 1/128	165/152
2006/0169443	A1 *	8/2006	Ozaki	F28F 1/128	165/152

(Continued)

FOREIGN PATENT DOCUMENTS

GB	6080689	*	1/2020
GB	6188152	*	1/2022
JP	D1406855	*	2/2011

OTHER PUBLICATIONS

Air to Water Intercooler Aluminum Liquid Heat Exchanger, first available Apr. 1, 2020[online], [site visited May 12, 2022]. Available from internet, URL:< <https://www.amazon.com/Intercooler-Aluminum-Liquid-Exchanger-universal/dp/B09F6DS6W4>> (Year: 2020).*

(Continued)

Primary Examiner — David G Muller

Assistant Examiner — Jamaal Rasheed

(74) *Attorney, Agent, or Firm* — Loza & Loza, LLP;
Tyler J. Barrett

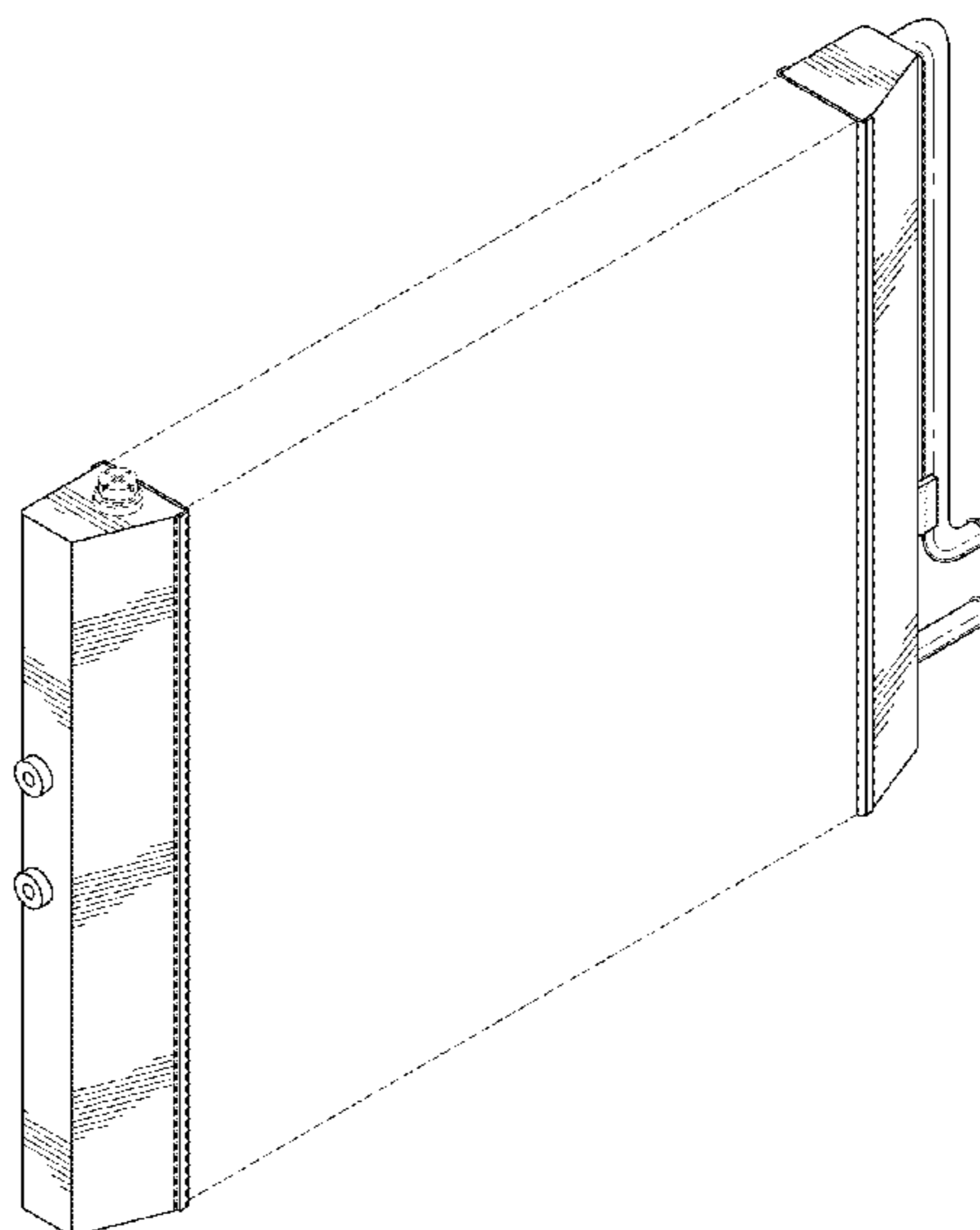
(57) **CLAIM**

The ornamental design for a heat exchanger, as shown and described.

DESCRIPTION

FIG. 1 is a top front left perspective view of a heat exchanger, showing my new design;
FIG. 2 is a front elevation;
FIG. 3 is a rear elevation;
FIG. 4 is a left side elevation;
FIG. 5 is a right side elevation;
FIG. 6 is a top plan view;
FIG. 7 is a bottom plan view;
FIG. 8 is a cross section taken along line 8-8 of FIG. 2; and,
FIG. 9 is a cross section taken along line 9-9 of FIG. 2.
The broken lines in the drawings depict portions of the heat exchanger that form no part of the claimed design.

1 Claim, 6 Drawing Sheets



(56)

References Cited

U.S. PATENT DOCUMENTS

2008/0000627 A1* 1/2008 Noguchi F28F 9/16
165/173
2008/0223560 A1* 9/2008 Hoenisch F28D 1/05383
165/145
2009/0266526 A1* 10/2009 Lee F28D 1/05366
165/151
2011/0214848 A1* 9/2011 Ninagawa F28F 9/0226
165/148
2013/0292104 A1* 11/2013 Park F28F 9/0268
165/173
2014/0090823 A1* 4/2014 Moser F28F 9/0221
165/169
2019/0049185 A1* 2/2019 Ito F28D 1/05308
2021/0354552 A1* 11/2021 Jeong B60K 11/04
2021/0389057 A1* 12/2021 Uno F28F 1/105

OTHER PUBLICATIONS

Mishimoto MMHE-F80-15 Performance Heat Exchanger, first available Mar. 11, 2020[online], [site visited May 12, 2022]. Available from internet, URL:<<https://www.amazon.com/Mishimoto-MMHE-F80-15-Performance-Exchanger-Compatible/dp/B085SQPYTS>> (Year: 2020).*

MercRacing High Capacity Heat Exchanger, first available Date unavailable[online], [site visited May 12, 2022]. Available from internet, URL:<<https://ankerautomotive.com/products/mercrcacing-high-capacity-heat-exchanger-for-audi-3-0t-and-4-0t?variant=40936965996703>> (Year: 2022).*

* cited by examiner

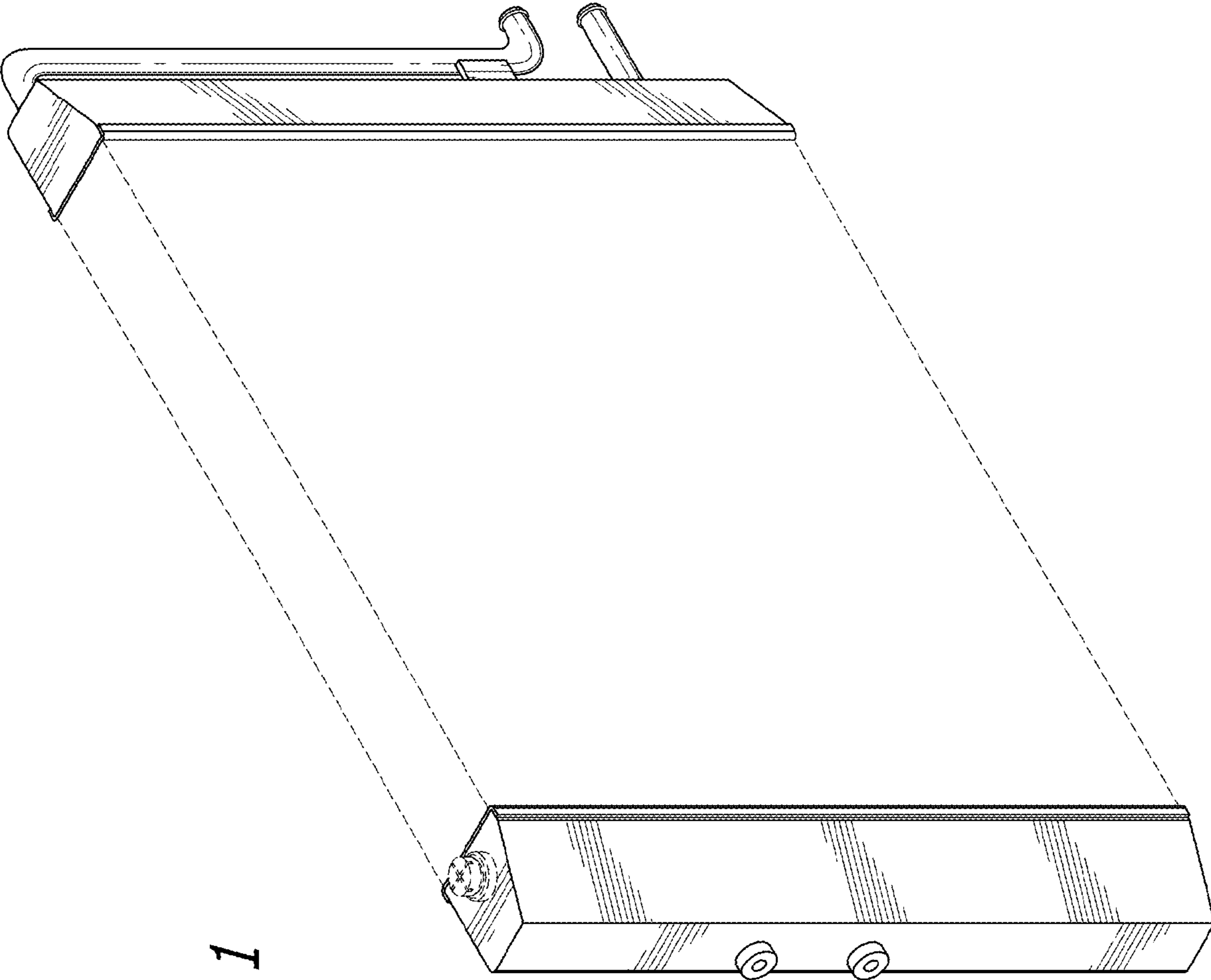


FIG. 1

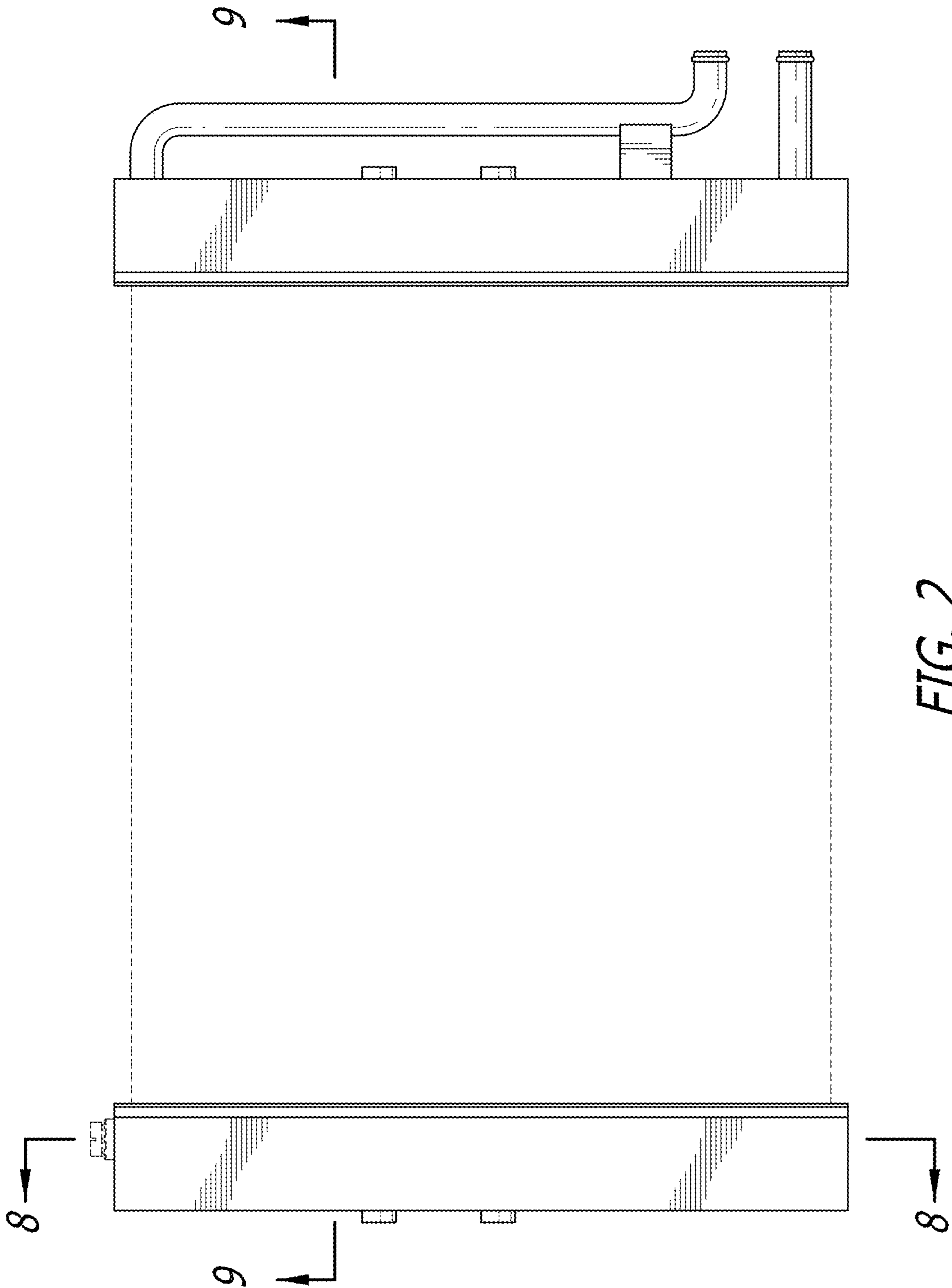


FIG. 2

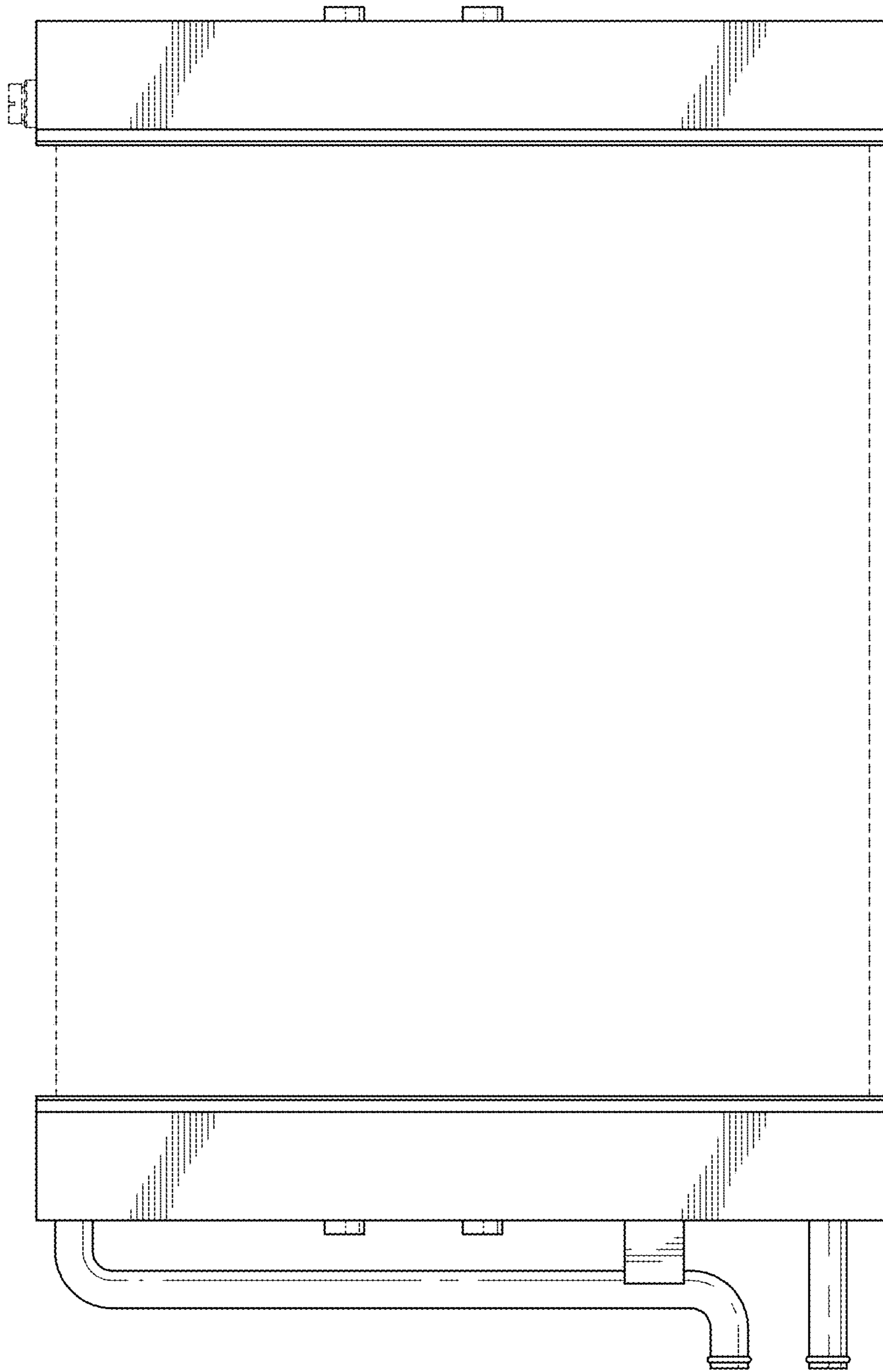


FIG. 3

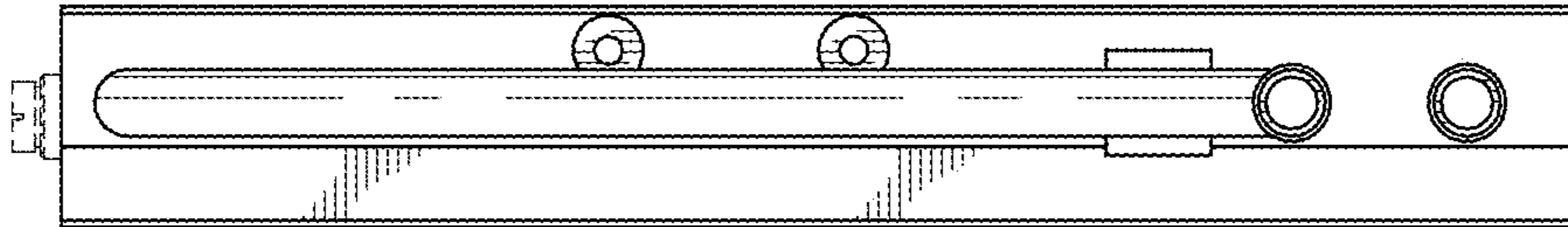


FIG. 5

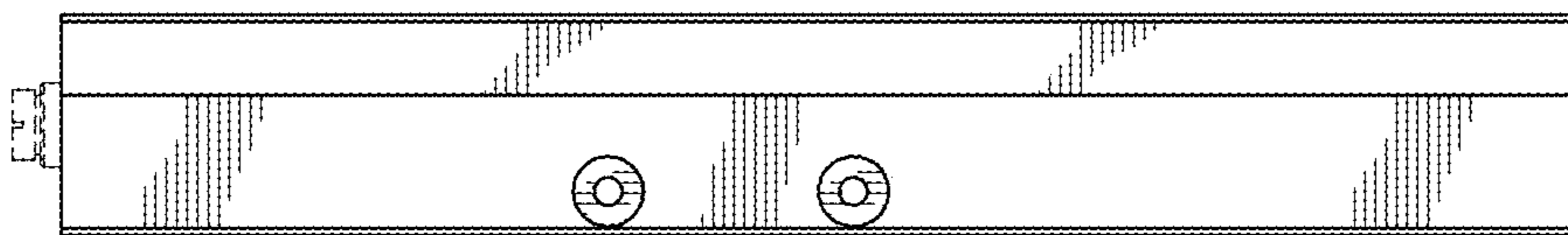


FIG. 4

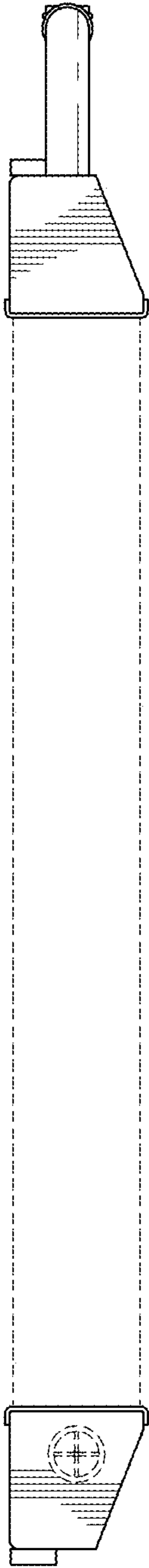


FIG. 6

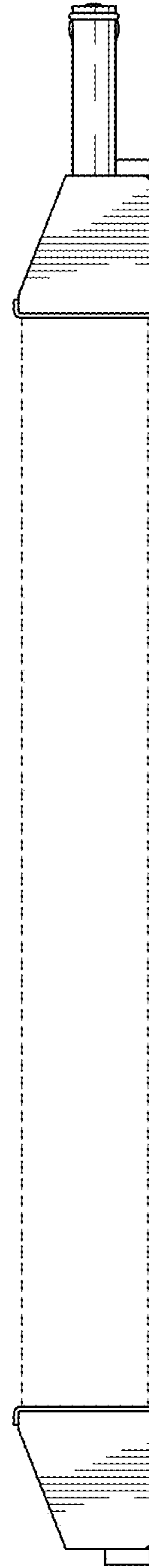


FIG. 7

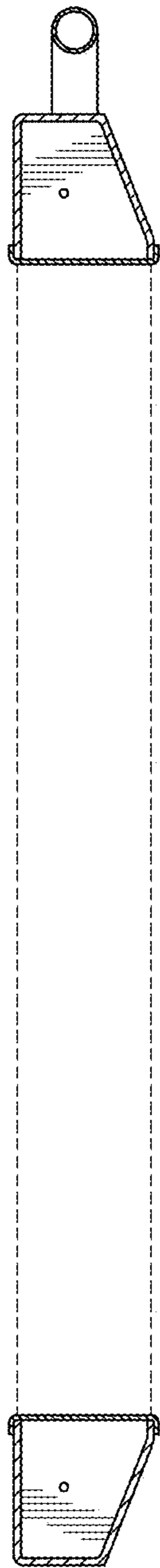


FIG. 9

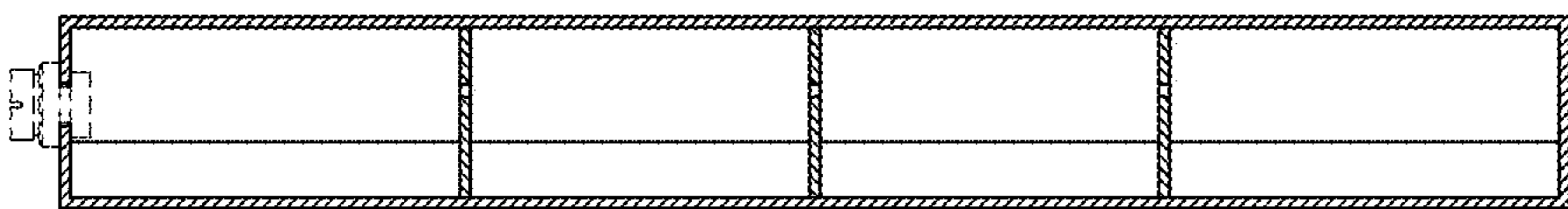


FIG. 8