



US00D967359S

(12) **United States Design Patent** (10) **Patent No.:** **US D967,359 S**
Liu (45) **Date of Patent:** **** Oct. 18, 2022**

(54) **PORTABLE TOILET**
(71) Applicant: **Fengyun Liu**, Nangong (CN)
(72) Inventor: **Fengyun Liu**, Nangong (CN)
(**) Term: **15 Years**

8,510,877 B2 * 8/2013 Helewa A47K 11/04
4/484
9,220,383 B2 * 12/2015 Ito A47K 11/06
D917,029 S * 4/2021 Niu D23/299
D960,334 S * 8/2022 Pan D23/299
2004/0261166 A1 * 12/2004 Amir A47K 11/06
4/484

(Continued)

(21) Appl. No.: **29/792,657**

OTHER PUBLICATIONS

(22) Filed: **Apr. 14, 2022**

Siewl Portable Toilet for Camping. Amazon.com. https://www.amazon.com/dp/B09KXVR9TM/ref=sspa_dk_detail_4?psc=1&pd_rd_i=B09KXVR9TM&pd_rd_w=FL0hi&content-id=amzn1.sym.3be1c5b9-5b41-4830-a902-fa8556c19eb5&pf_rd_p=3be1c5b9-5b41-4830-a902-fa8556c19eb5&pf_rd_r=NDEKQJ4R8NSVM96H8PZH&pd_rd_wg=hae6l&pd_rd_r=57b1 (Year: 2021).*

(Continued)

(30) **Foreign Application Priority Data**

Apr. 2, 2022 (CN) 202230180760.0

(51) **LOC (13) Cl.** **23-02**

(52) **U.S. Cl.**
USPC **D23/299**

(58) **Field of Classification Search**
USPC D23/295, 299, 310
See application file for complete search history.

Primary Examiner — Robert A Delehanty
(74) *Attorney, Agent, or Firm* — Jeenam Park

(57) **CLAIM**

The ornamental design for a portable toilet, as shown and described.

(56) **References Cited**

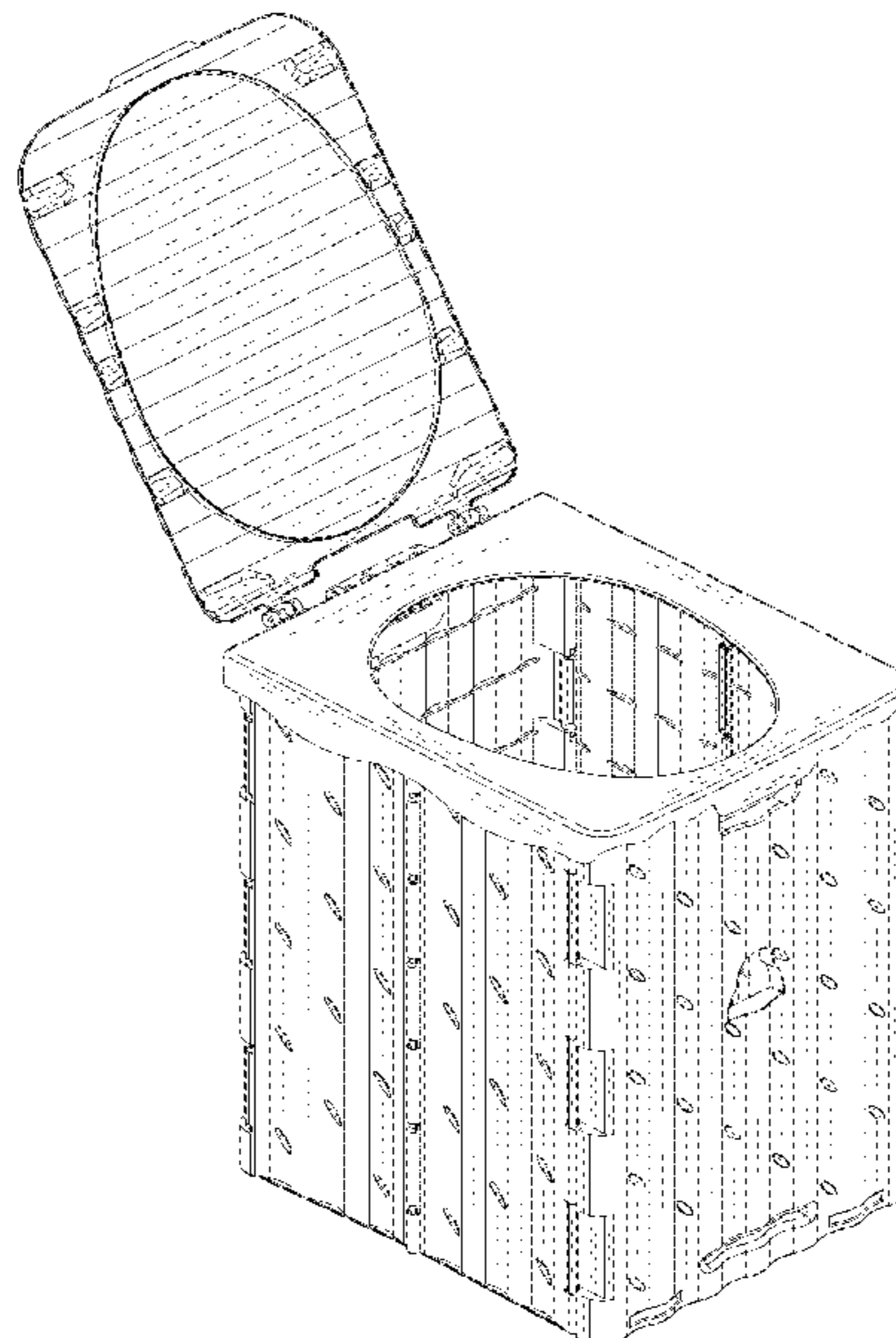
U.S. PATENT DOCUMENTS

D130,780 S 12/1941 Shapiro
3,444,563 A * 5/1969 Gordon, Jr. A47K 11/04
4/484
4,710,989 A * 12/1987 Grenthe A47K 11/04
4/479
D328,126 S * 7/1992 Wadsworth, Jr. D23/299
D383,199 S 9/1997 Nodo
6,061,845 A * 5/2000 Kakutani A47K 11/02
4/483
6,263,521 B1 * 7/2001 Pi A47K 11/06
4/483
D451,178 S 11/2001 Massey, Jr.
D591,408 S * 4/2009 Sato D23/299
7,540,041 B2 * 6/2009 Gara A47K 11/06
4/449
D639,917 S * 6/2011 Corn D23/299
D671,625 S * 11/2012 Karmano D23/296

DESCRIPTION

FIG. 1 is a front perspective view of a portable toilet showing my new design;
FIG. 2 is a rear view thereof;
FIG. 3 is a left side view thereof;
FIG. 4 is a right side view thereof;
FIG. 5 is a top plan view thereof;
FIG. 6 is a bottom plan view thereof;
FIG. 7 is a perspective view thereof;
FIG. 8 is a perspective view of open state; and,
FIG. 9 is another perspective view of open state.
The evenly broken lines where present illustrate portions of the portable toilet that form no part of the claimed design.

1 Claim, 9 Drawing Sheets



(56)

References Cited

U.S. PATENT DOCUMENTS

2010/0269249 A1* 10/2010 Wharton A47K 11/02
4/479
2011/0258767 A1* 10/2011 Lok A47K 11/06
4/483
2019/0174975 A1* 6/2019 Kim A47K 11/06

OTHER PUBLICATIONS

Triptips Portable Toilet for Camping, Amazon.com https://www.amazon.com/dp/B0B181BH2T/ref=sspa_dk_detail_2?pd_rd_i=B0B181BH2T&pd_rd_w=nQXb3&content-id=amzn1.sym.4d0ffec-3aba-4480-8fad-c6bd8f7f6b41&pf_rd_p=4d0ffec-3aba-4480-8fad-c6bd8f7f6b41&pf_rd_r=K712PEXK0TVDBANBPXE9&pd_rd_wg=wA4xs&pd_rd_r=4bef8913 (Year: 2022).*

* cited by examiner

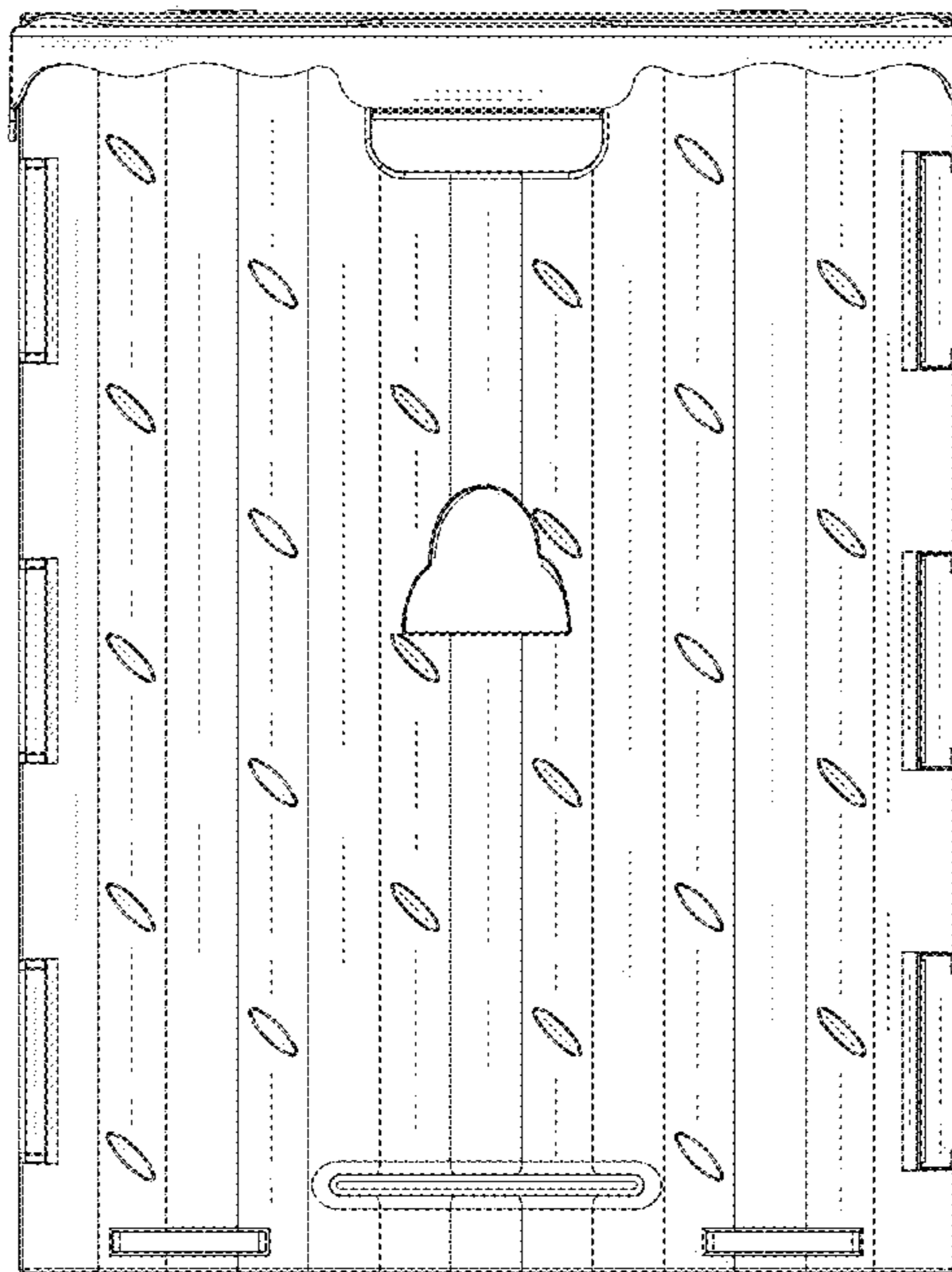


FIG. 1

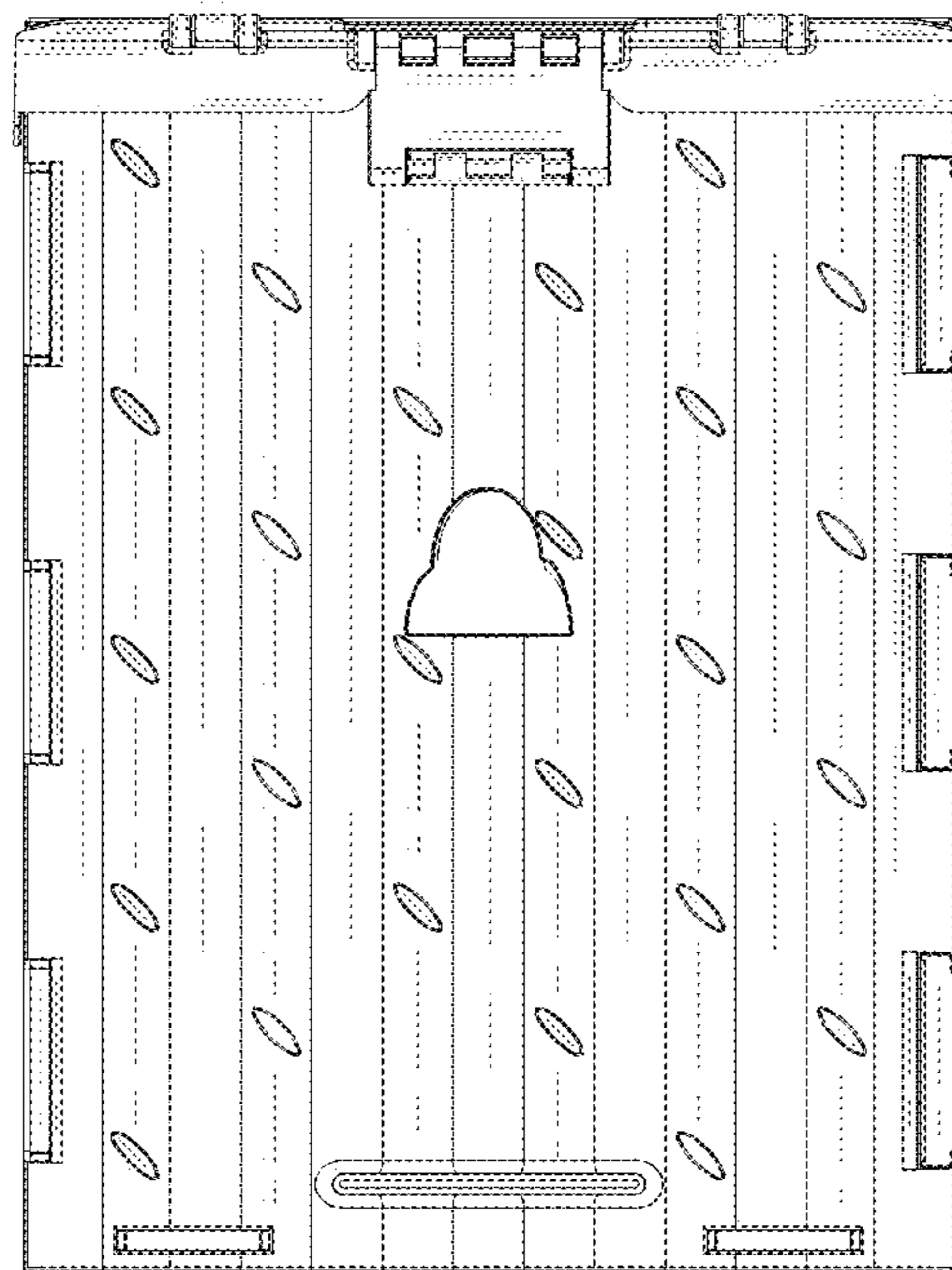


FIG. 2

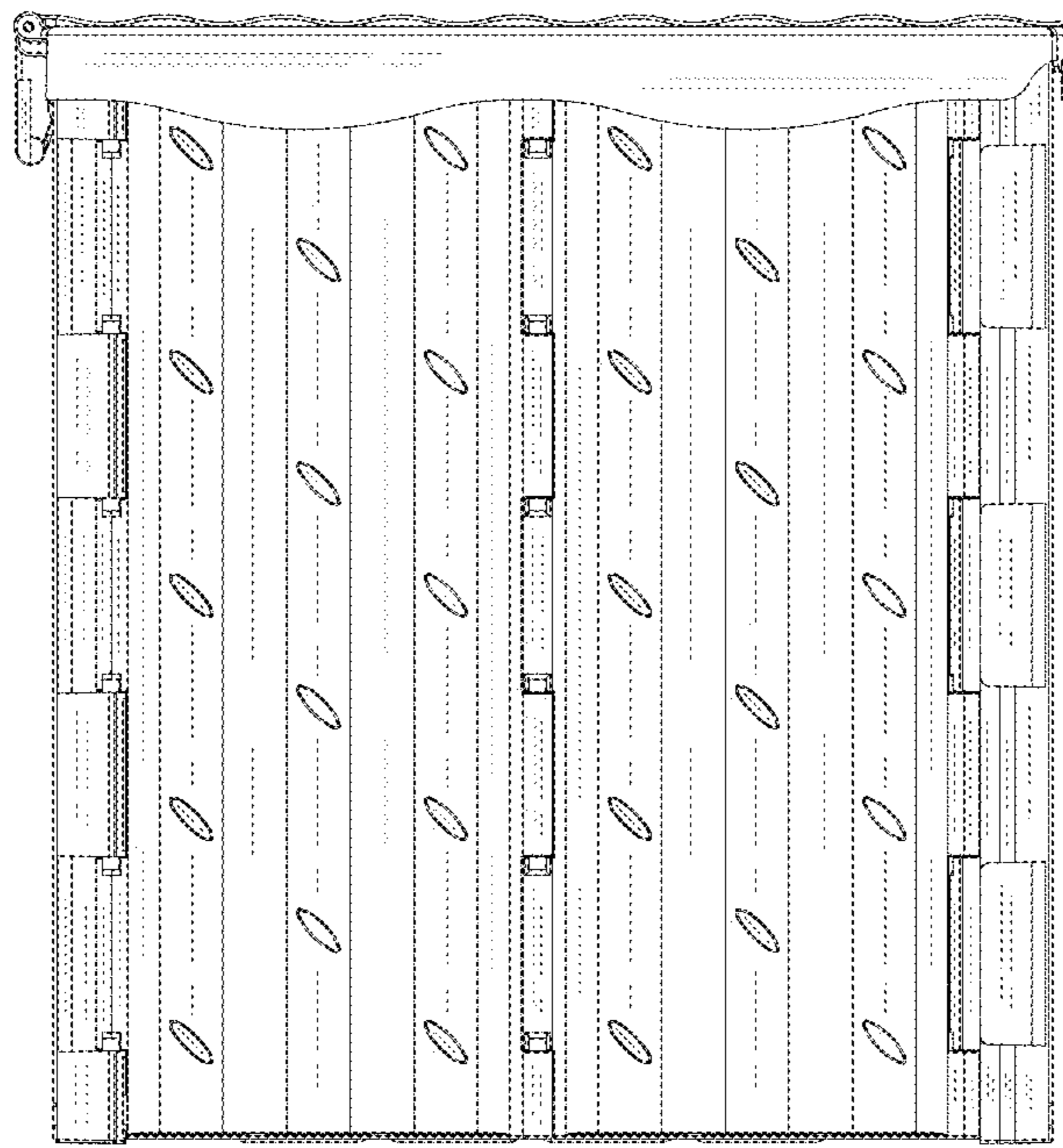


FIG. 3

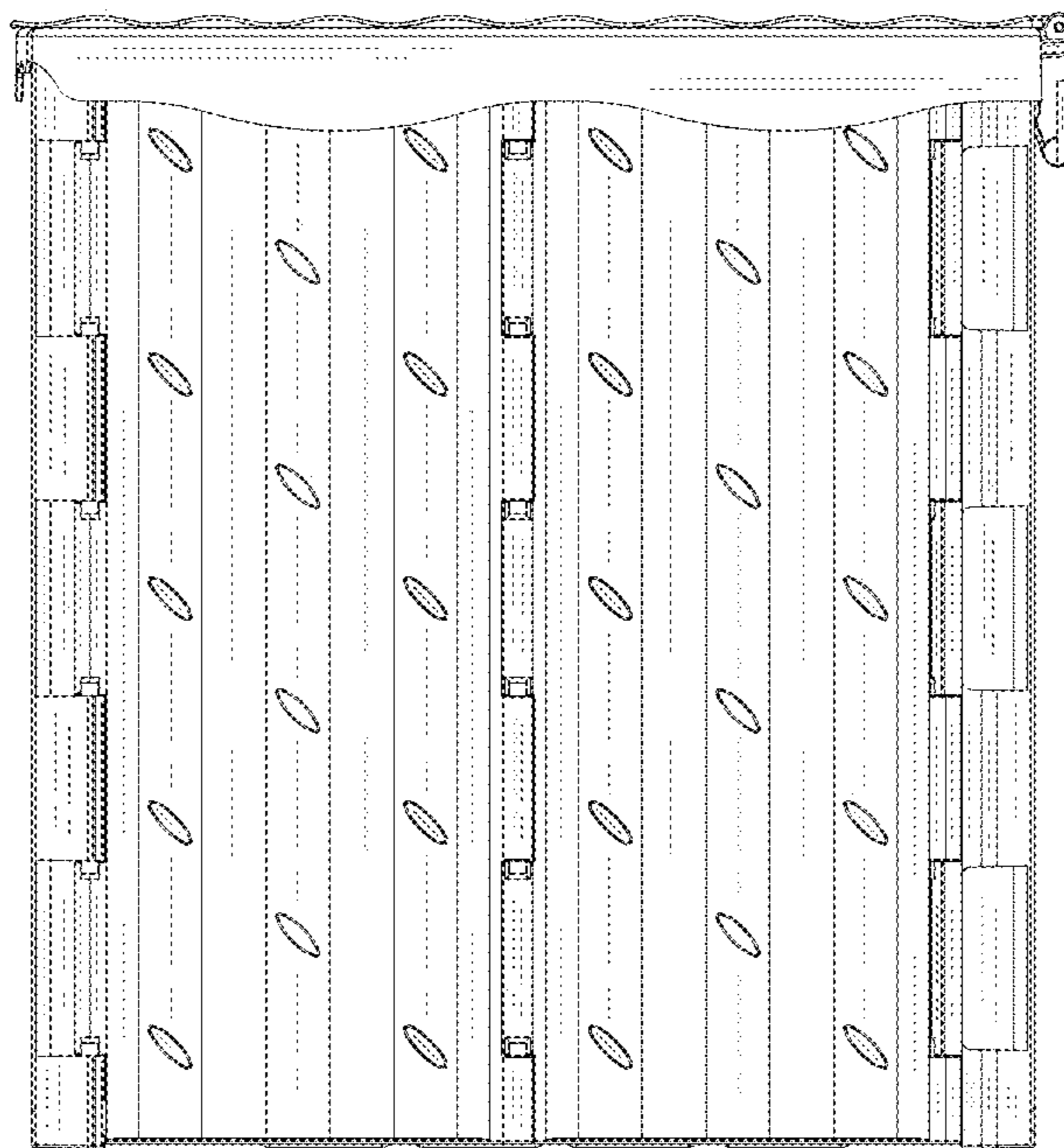


FIG. 4

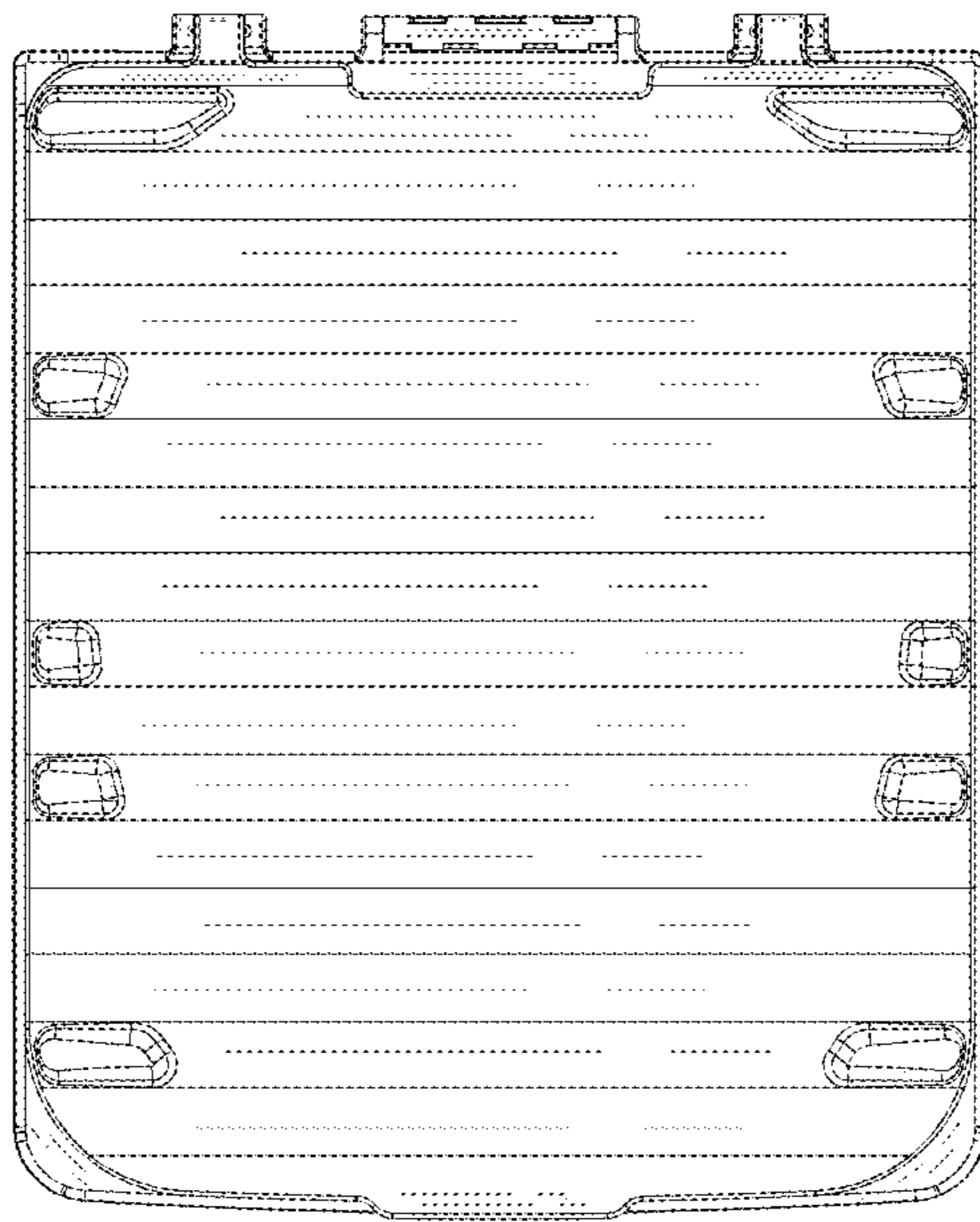


FIG. 5

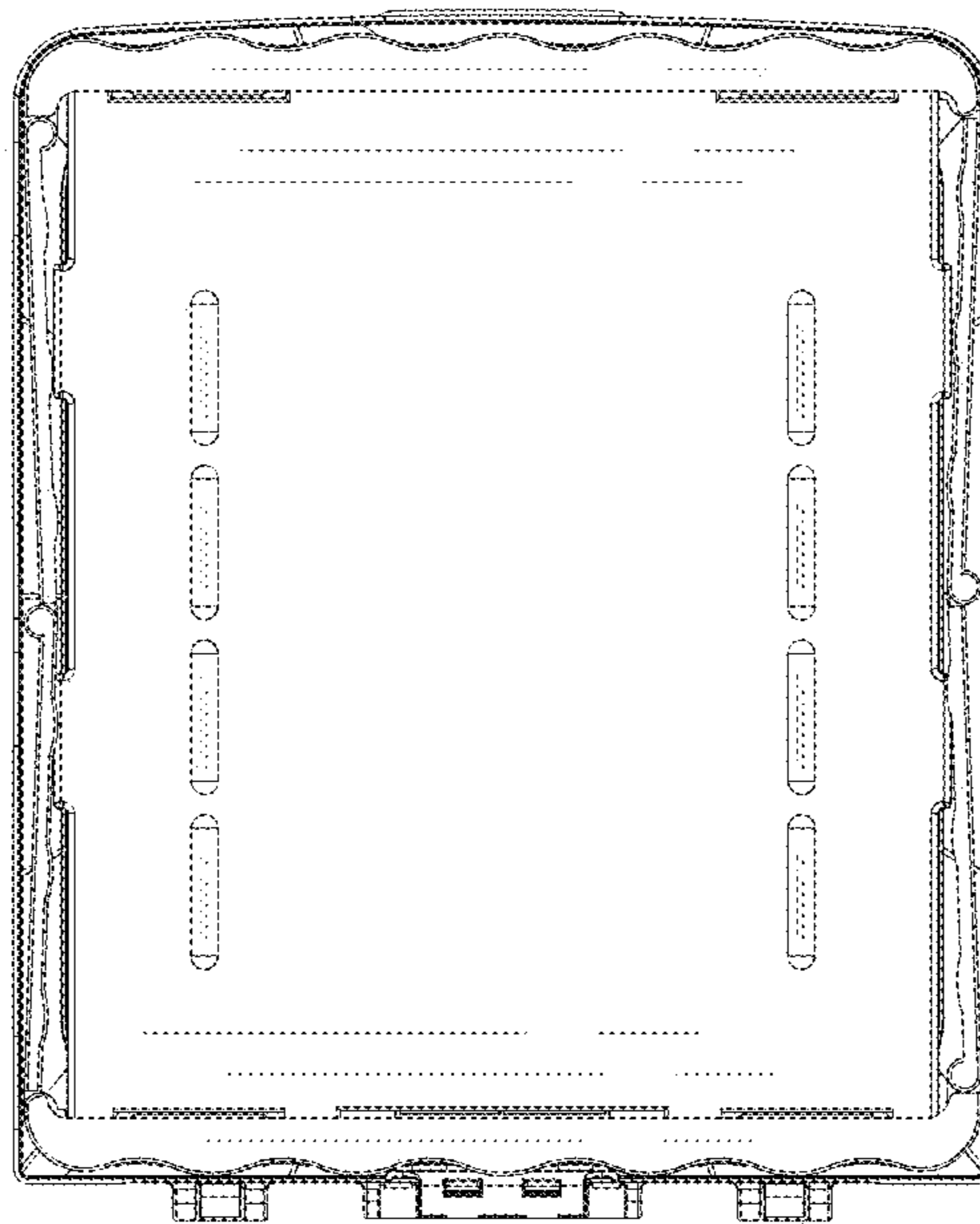


FIG. 6

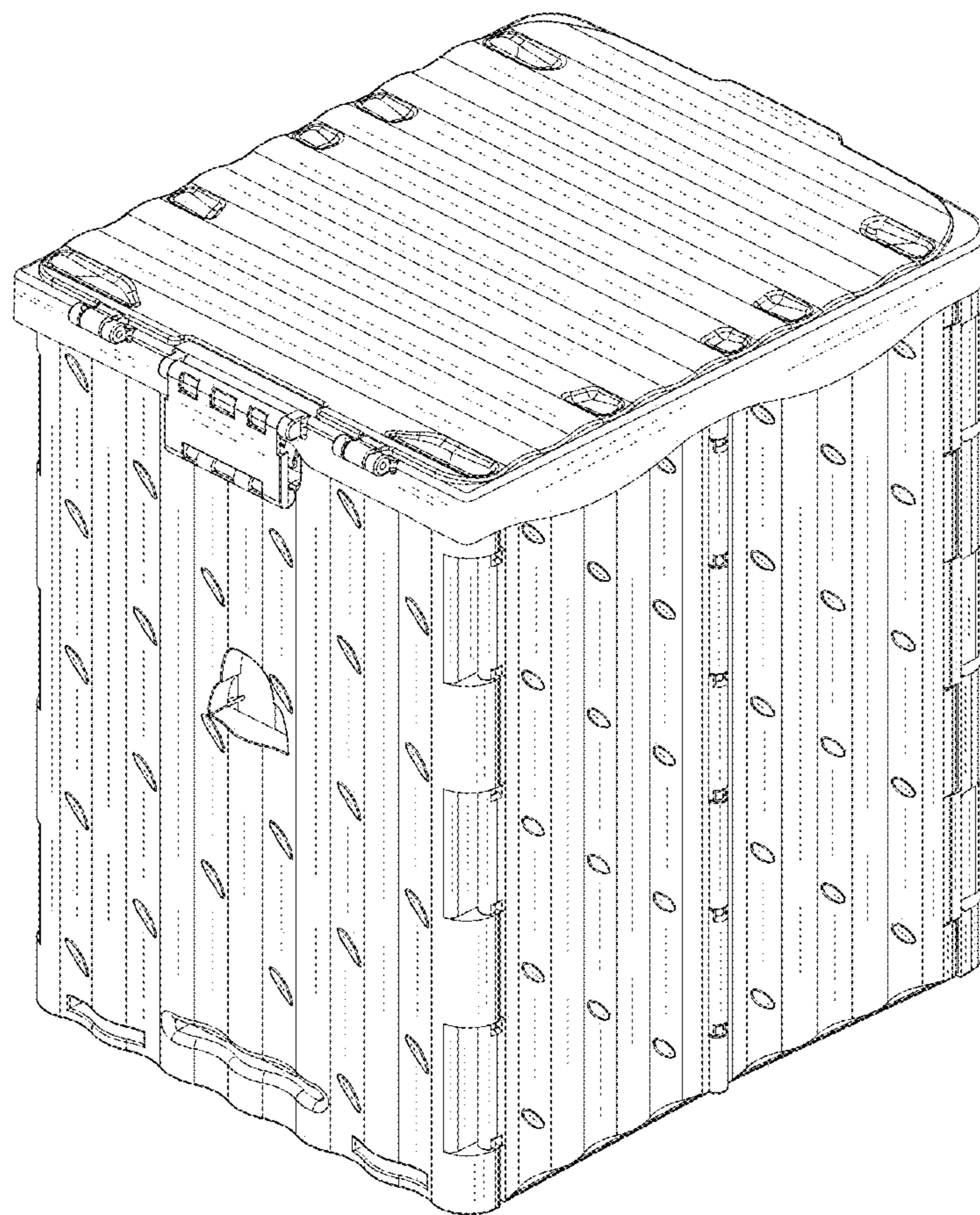


FIG. 7

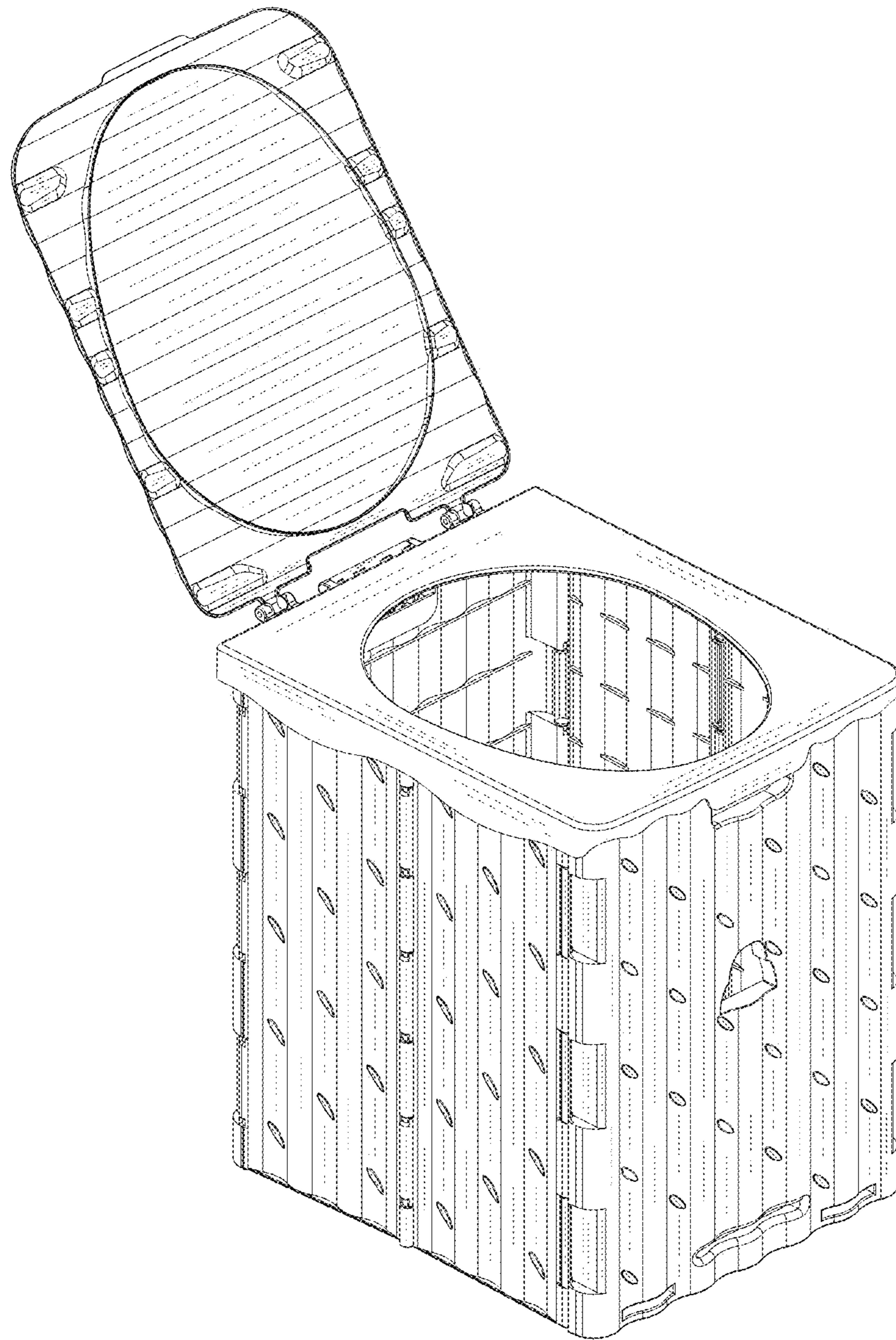


FIG. 8

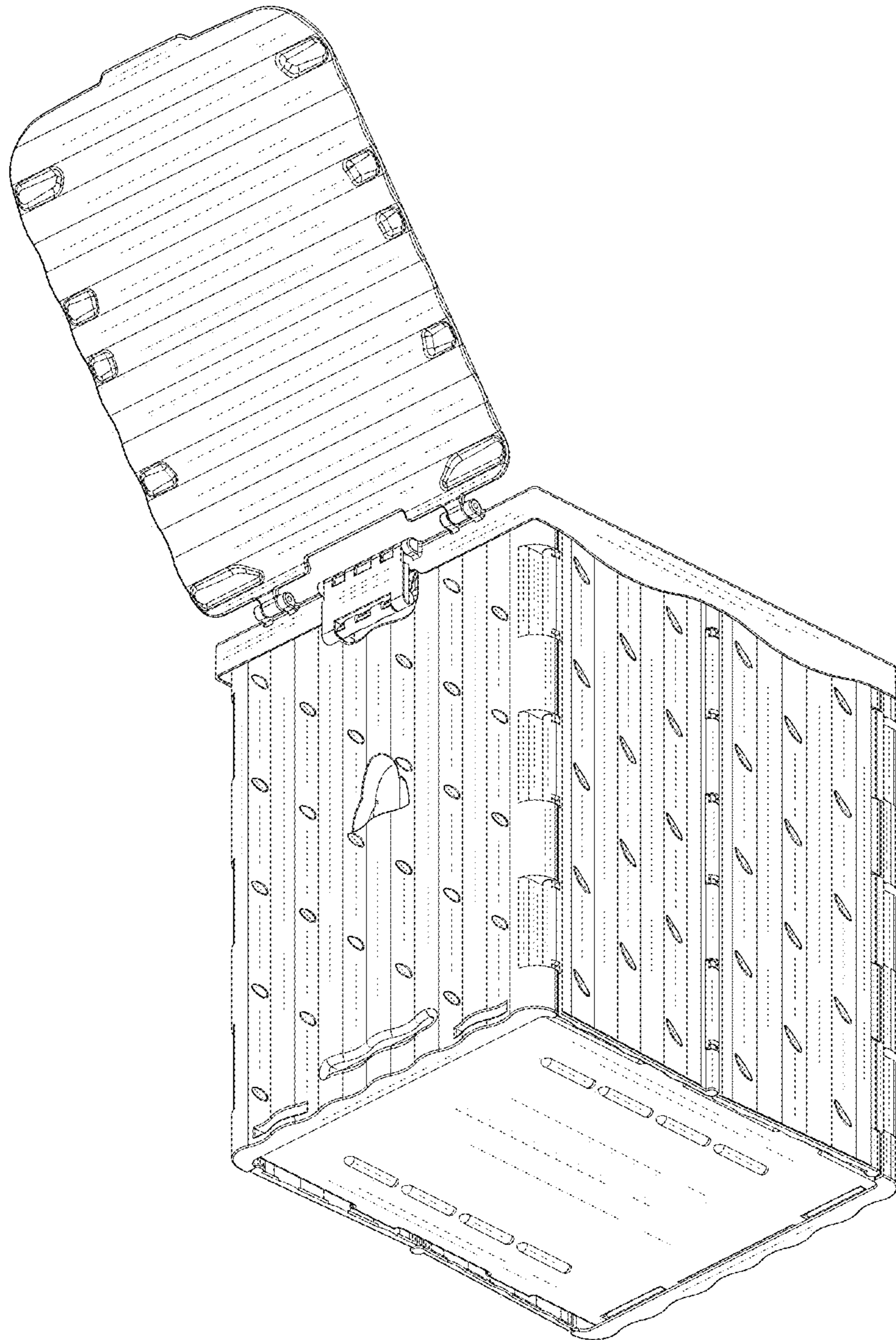


FIG. 9