



US00D967356S

(12) **United States Design Patent** (10) **Patent No.:** **US D967,356 S**
Castelli (45) **Date of Patent:** **** Oct. 18, 2022**

(54) **FURNITURE FOR BATHROOMS**
(71) Applicant: **Paolo Castelli**, Bologna (IT)
(72) Inventor: **Paolo Castelli**, Bologna (IT)
(**) Term: **15 Years**

(21) Appl. No.: **35/511,937**
(22) Filed: **Mar. 11, 2021**

(80) **Hague Agreement Data**

Int. Filing Date: **Mar. 11, 2021**
Int. Reg. No.: **DM/214213**
Int. Reg. Date: **Mar. 11, 2021**
Int. Reg. Pub. Date: **May 28, 2021**

(51) **LOC (13) Cl.** **23-02**

(52) **U.S. Cl.**
USPC **D23/271**; D23/284
CPC **E03C 1/18** (2013.01)

(58) **Field of Classification Search**
USPC D6/300-314, 444, 642, 633, 664.31, 671,
D6/671.3, 655; D23/284, 286, 287,
D23/271-274, 303, 308
CPC E03C 2201/90; E03C 1/33; E03C 1/18;
E03C 1/32; A47B 2220/03; A47B 77/06;
A47B 67/005; A47B 67/02; A47G 1/16;
A47G 1/00; A47G 1/02; A47G 1/0616
See application file for complete search history.

(56) **References Cited**

U.S. PATENT DOCUMENTS

D300,058 S * 2/1989 Emanuele D23/286
D331,100 S * 11/1992 Jacobsen D34/6
D338,949 S * 8/1993 Paulin D23/271
D352,992 S * 11/1994 Pajetta D23/271

D354,120 S * 1/1995 Pajetta D23/286
D362,051 S * 9/1995 Pajetta D23/286
D362,052 S * 9/1995 Pajetta D6/673
D430,276 S * 8/2000 Swensson D23/286
D443,044 S * 5/2001 Swensson D23/271
D457,249 S * 5/2002 Gilbert D24/234
6,502,254 B1 * 1/2003 De Menna A47B 77/022
4/631
D535,367 S * 1/2007 Bouroullec D23/271
D566,974 S * 4/2008 Lee D6/300
D588,676 S * 3/2009 Loberger D23/271
D593,644 S * 6/2009 Bock D23/271
D610,242 S * 2/2010 Loberger D23/308
D628,280 S * 11/2010 Loberger D23/308
D641,842 S * 7/2011 Loberger D23/308
D727,478 S * 4/2015 Mayer D23/286
D923,946 S * 7/2021 Flaig D6/309
D938,558 S * 12/2021 Flaig D23/284
D938,559 S * 12/2021 Flaig D23/284
D945,577 S * 3/2022 Stevenson D23/308

* cited by examiner

Primary Examiner — Richard E Chilcot

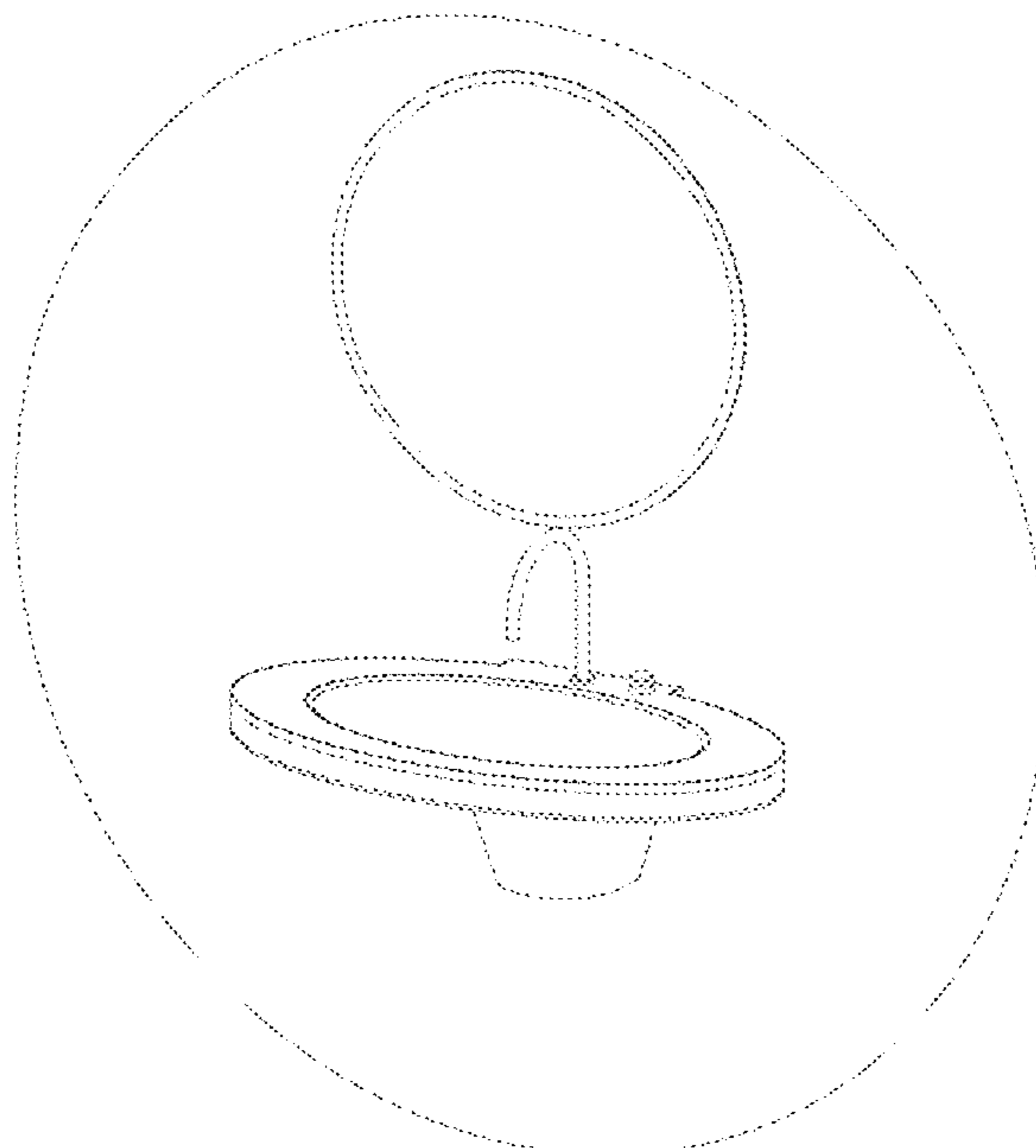
(57) **CLAIM**

The ornamental design for furniture for bathrooms, as shown and described.

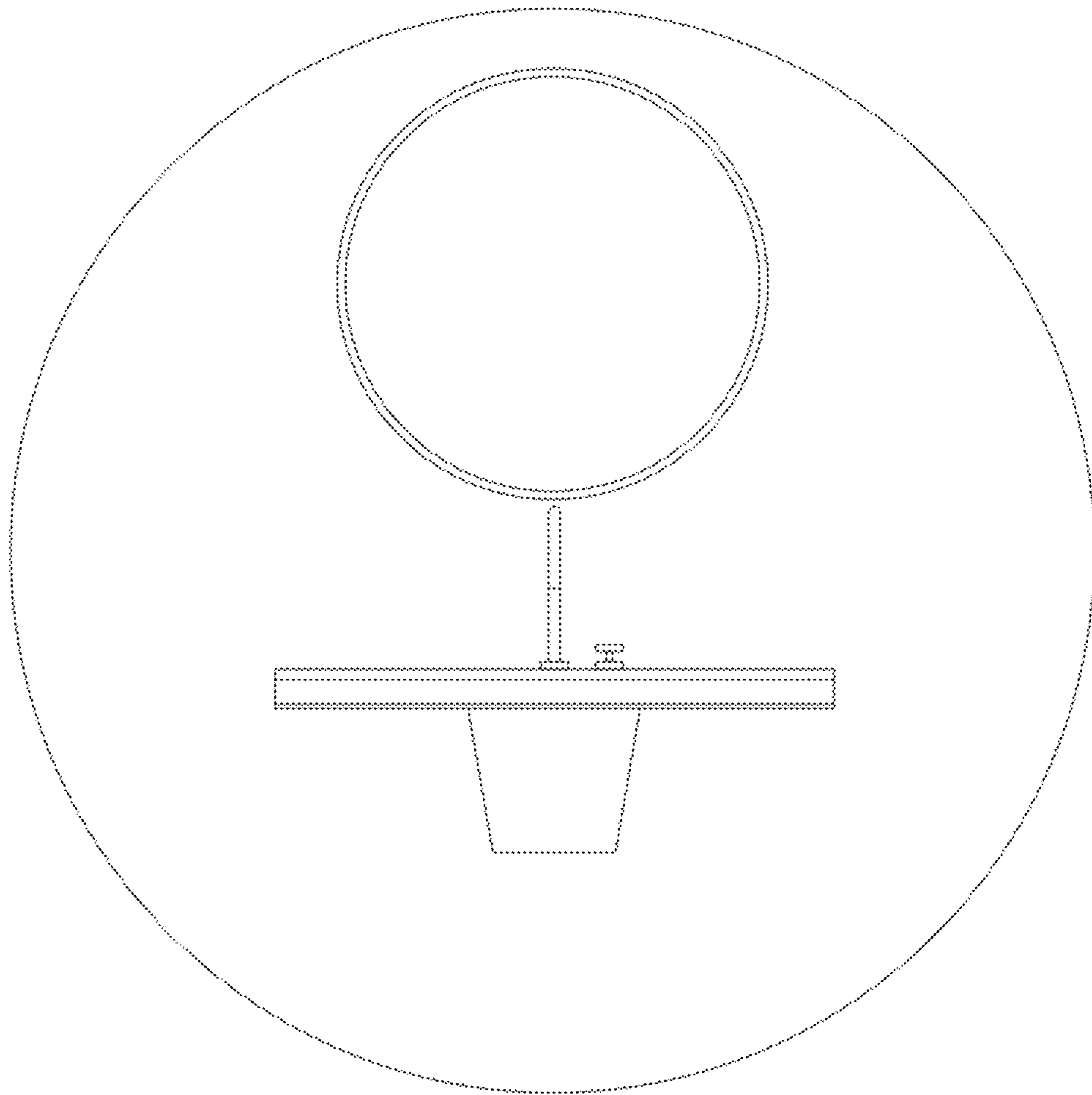
DESCRIPTION

1. Furniture for bathrooms
1.1 : Front
1.2 : Left
1.3 : Right
1.4 : Back
1.5 : Bottom
1.6 : Top
1.7 : Perspective
Sink.

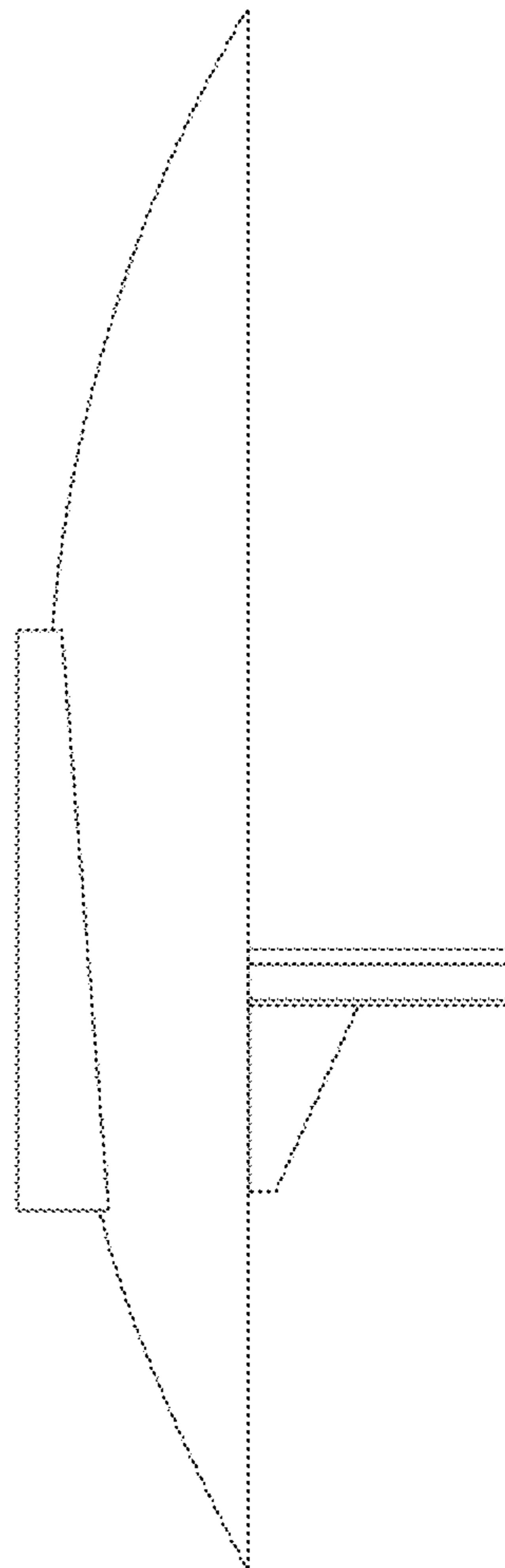
1 Claim, 7 Drawing Sheets



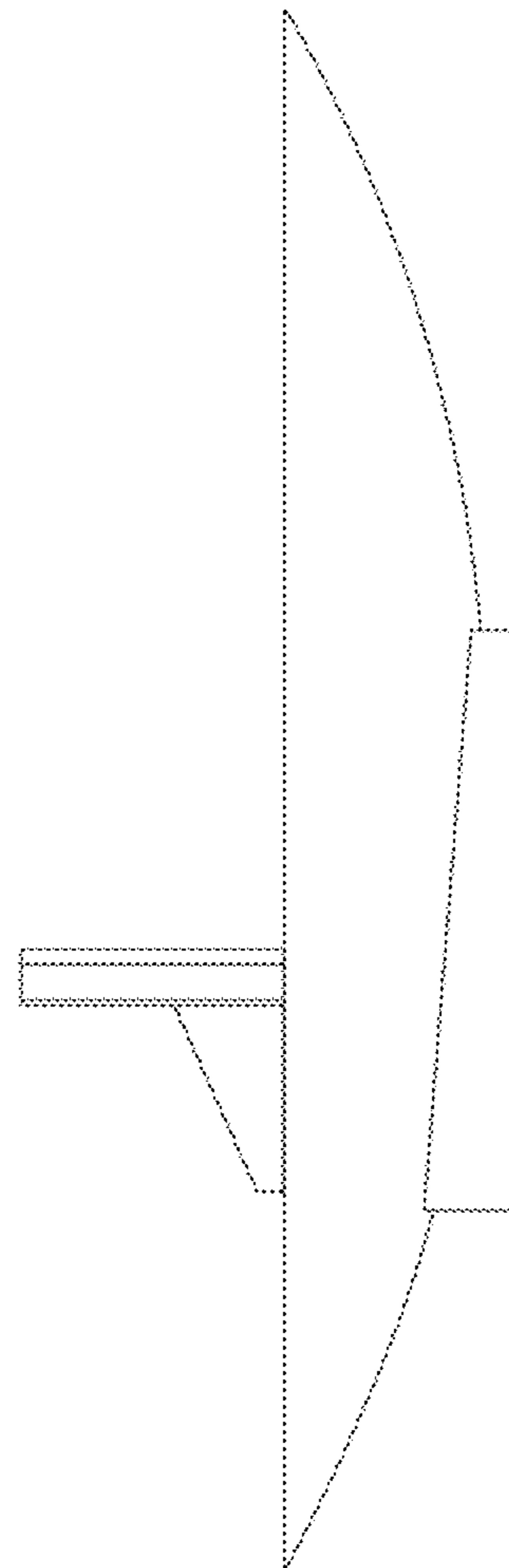
1.1



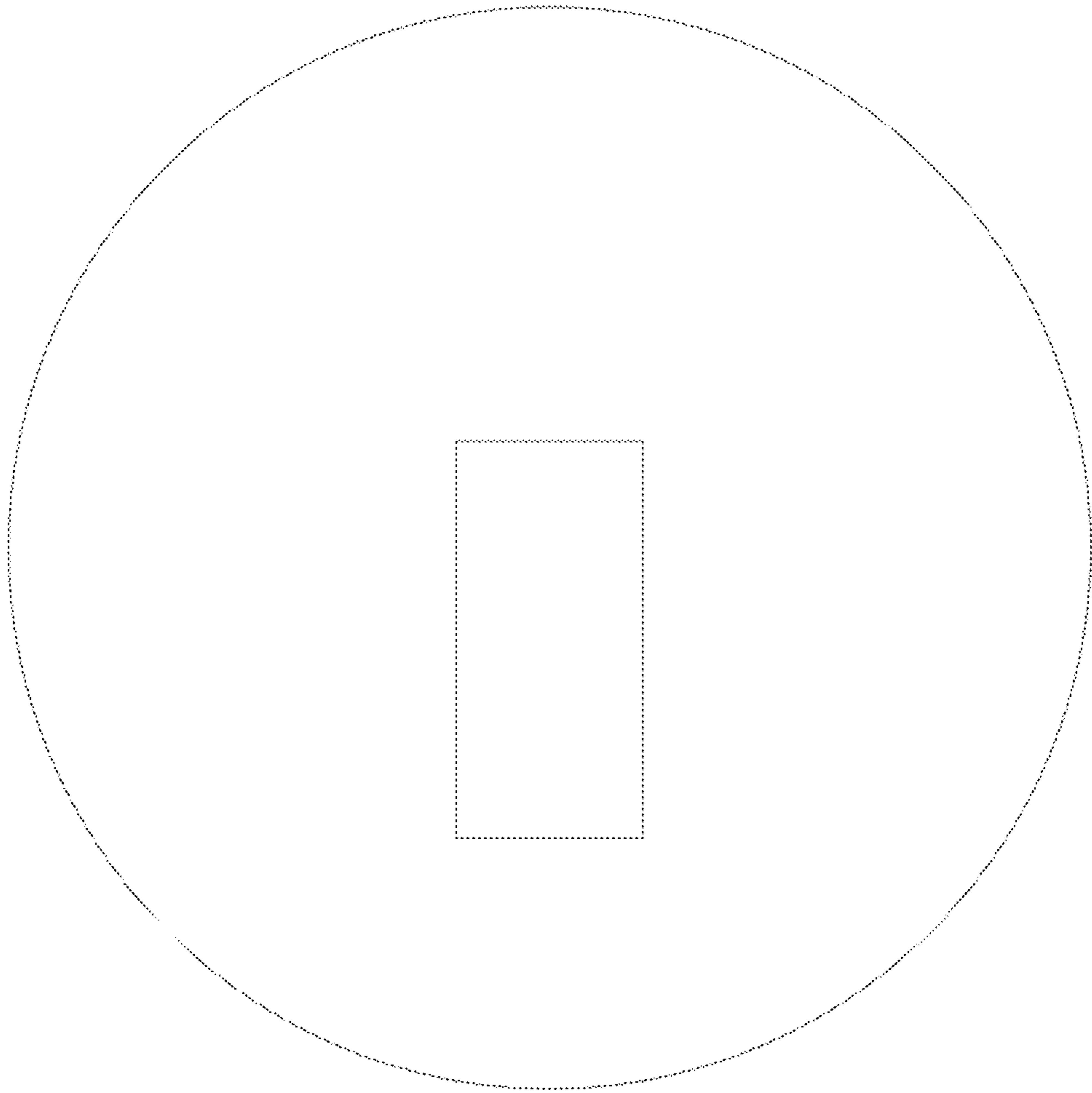
1.2



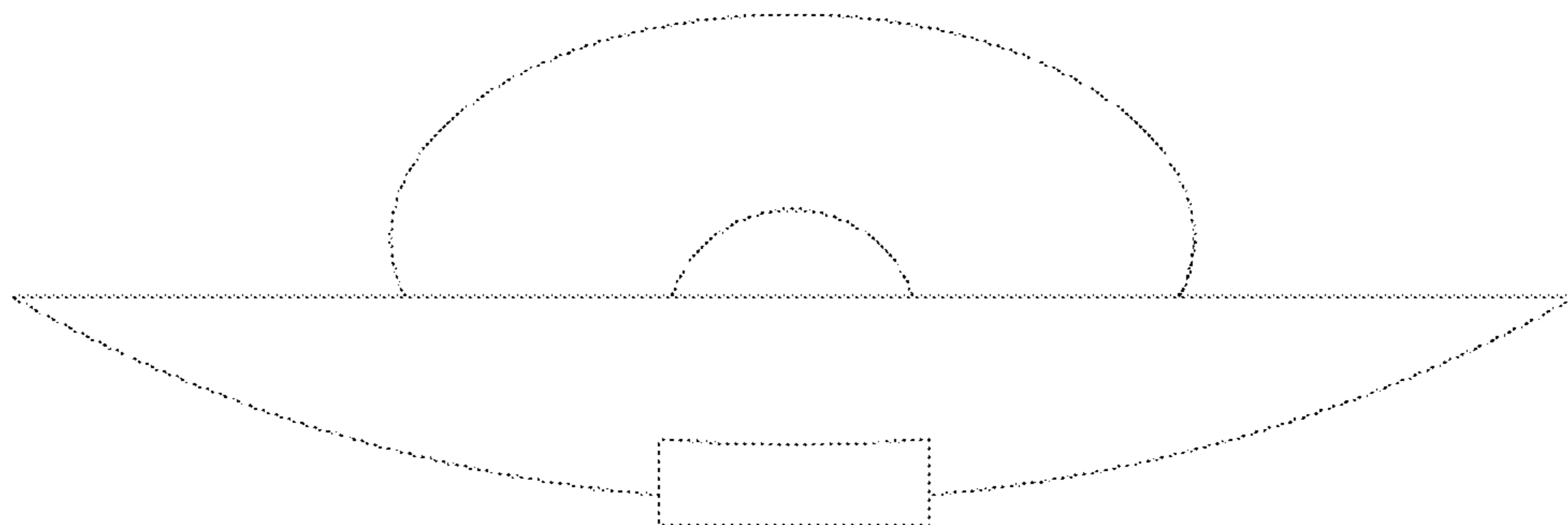
1.3



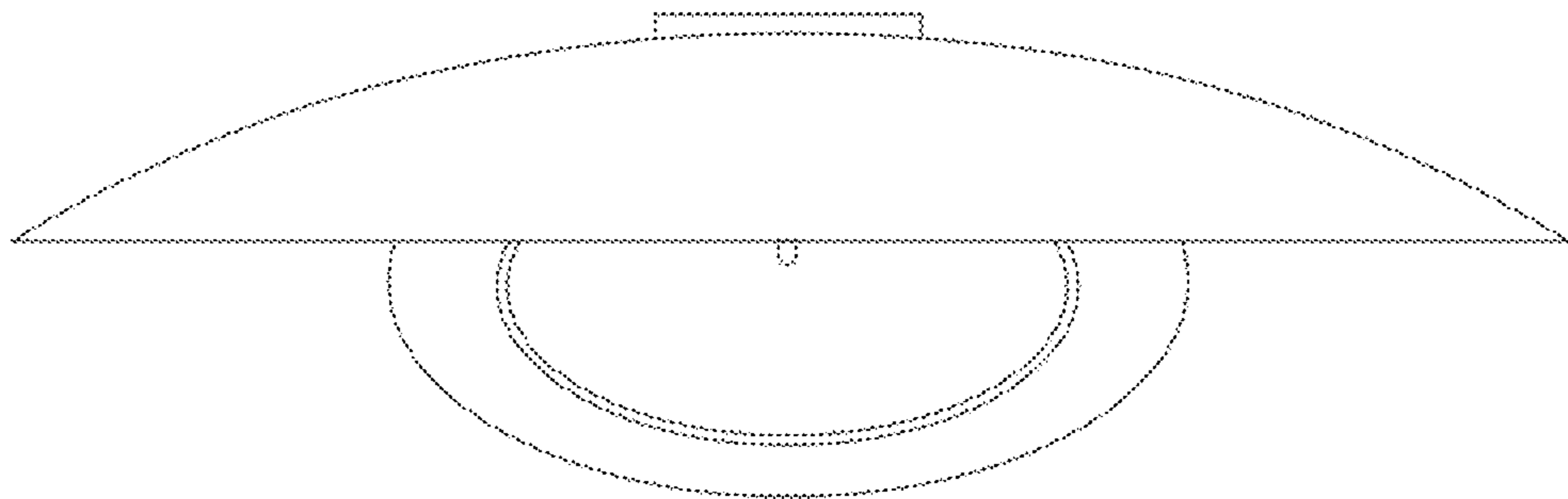
1.4



1.5



1.6



1.7

