



US00D967353S

(12) **United States Design Patent** (10) **Patent No.:** **US D967,353 S**
Haufrect (45) **Date of Patent:** **** Oct. 18, 2022**

(54) **BOTTLENECK CONNECTOR**
(71) Applicant: **Mark Haufrect**, Alexandria, VA (US)
(72) Inventor: **Mark Haufrect**, Alexandria, VA (US)
(**) Term: **15 Years**
(21) Appl. No.: **29/737,268**
(22) Filed: **Jun. 8, 2020**
(51) **LOC (13) Cl.** **23-01**
(52) **U.S. Cl.**
USPC **D23/262**
(58) **Field of Classification Search**
USPC D23/213, 223, 233, 249, 250, 262,
D23/266-269, 323, 333; D7/300.1, 313,
D7/509, 510, 523; D14/188, 194, 195,
D14/204, 221, 228; D26/26, 37, 40, 46,
D26/49, 93, 104, 105; D34/39; D15/7
CPC F15B 11/064; F15B 11/068; F15B 11/072;
F15B 11/0725; F17C 5/06; F16L 1/00;
F16L 9/00; F16L 13/00; F16L 13/146;
F16L 2101/00; F16L 17/035; Y10S 84/01;
Y10S 92/01; Y10S 102/70; A47G 7/06;
B65D 1/00; B65D 1/02; B65D 1/023;
B65D 1/0246; B65D 1/0261; B65D
21/00; B65D 21/02; B65D 21/0228;
B65D 21/0231; B65D 85/808; B60C
29/06
See application file for complete search history.

(56) **References Cited**
U.S. PATENT DOCUMENTS
1,140,425 A * 5/1915 Wessoleck F16L 13/146
138/131
D255,145 S * 5/1980 Nederman D23/262
D384,484 S * 9/1997 Ibarra D34/39
D480,454 S * 10/2003 Filer D23/262
D603,018 S * 10/2009 Stein D23/249
D798,423 S * 9/2017 Aubin D23/266
D908,848 S * 1/2021 Kluss D23/262

2006/0000740 A1* 1/2006 Sigur B65D 21/0231
206/509
2007/0114200 A1 5/2007 Lane
2012/0125446 A1* 5/2012 Chuang B60C 29/06
137/231
2020/0198836 A1* 6/2020 Onyenobi B65D 21/0228
(Continued)

FOREIGN PATENT DOCUMENTS

CA 2915752 C 6/2017

OTHER PUBLICATIONS

Accmor Baby Milk Powder Formula Dispenser, Non-Spill Stack-
able Snack Storage Formula Container, BPA Free, 3 Layers, 2 Pack,
amazon.com.

(Continued)

Primary Examiner — Gino Colan
Assistant Examiner — David Obrien

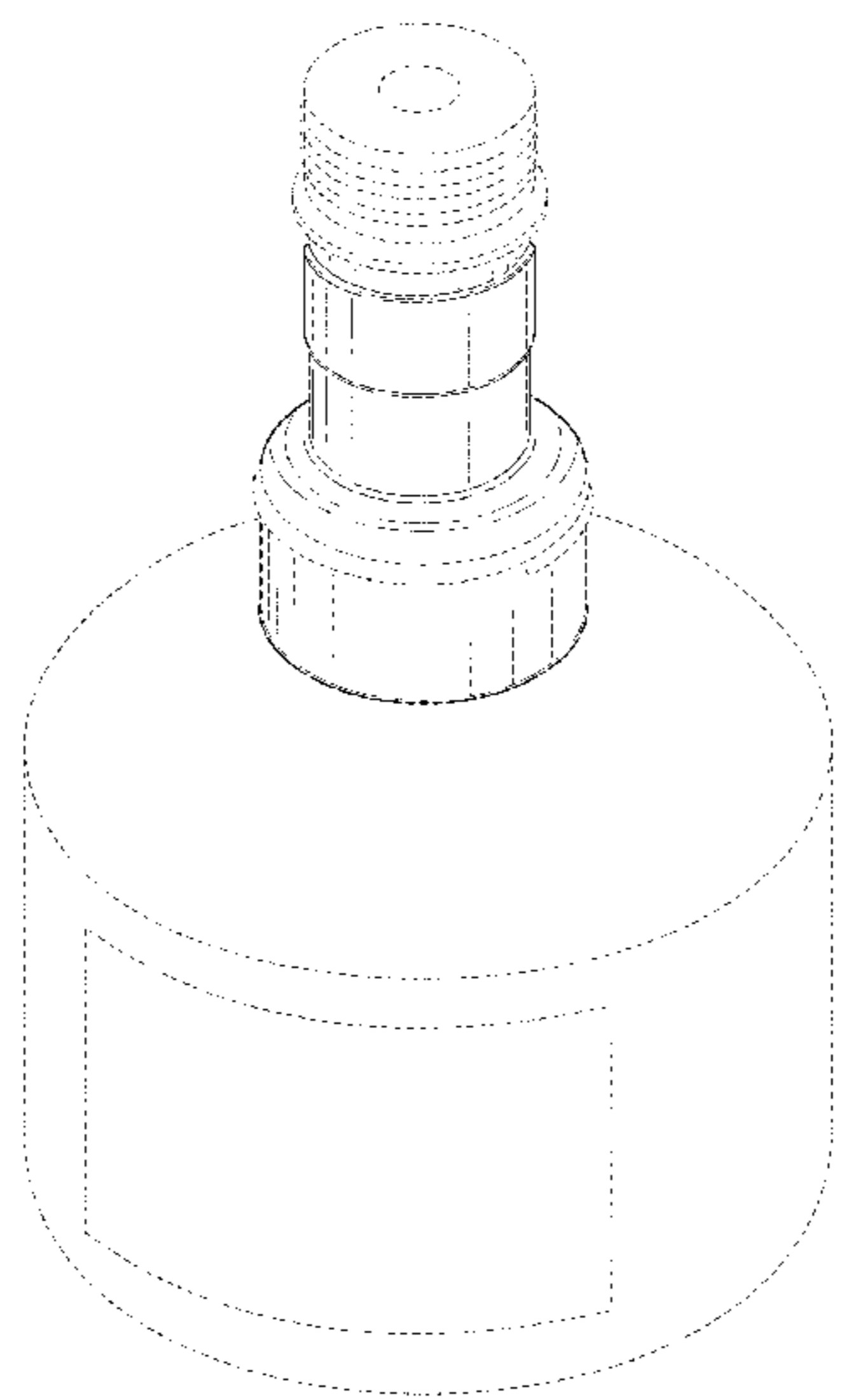
(57) **CLAIM**

The ornamental design for a bottleneck connector, as shown
and described.

DESCRIPTION

FIG. 1 is a front-top perspective view of a bottleneck
connector showing my new design;
FIG. 2 is a front-bottom perspective view thereof;
FIG. 3 is a rear-top perspective view thereof;
FIG. 4 is a rear-bottom perspective view thereof;
FIG. 5 is a front elevational view thereof;
FIG. 6 is a rear elevational view thereof;
FIG. 7 is a left elevational view thereof;
FIG. 8 is a right elevational view thereof;
FIG. 9 is a top plan view thereof; and,
FIG. 10 is a bottom plan view thereof.
The broken lines shown in the figures are for the purpose of
illustrating portions of the bottleneck connector and form no
part of the claimed design.

1 Claim, 10 Drawing Sheets



(56)

References Cited

U.S. PATENT DOCUMENTS

2020/0377258 A1* 12/2020 Choi B65D 85/808
2021/0323726 A1* 10/2021 Haufrect B65D 1/0246

OTHER PUBLICATIONS

Clear Glass 3 Spice Jars That Stack to Look Like a Wine Bottle,
etsy.com.

* cited by examiner

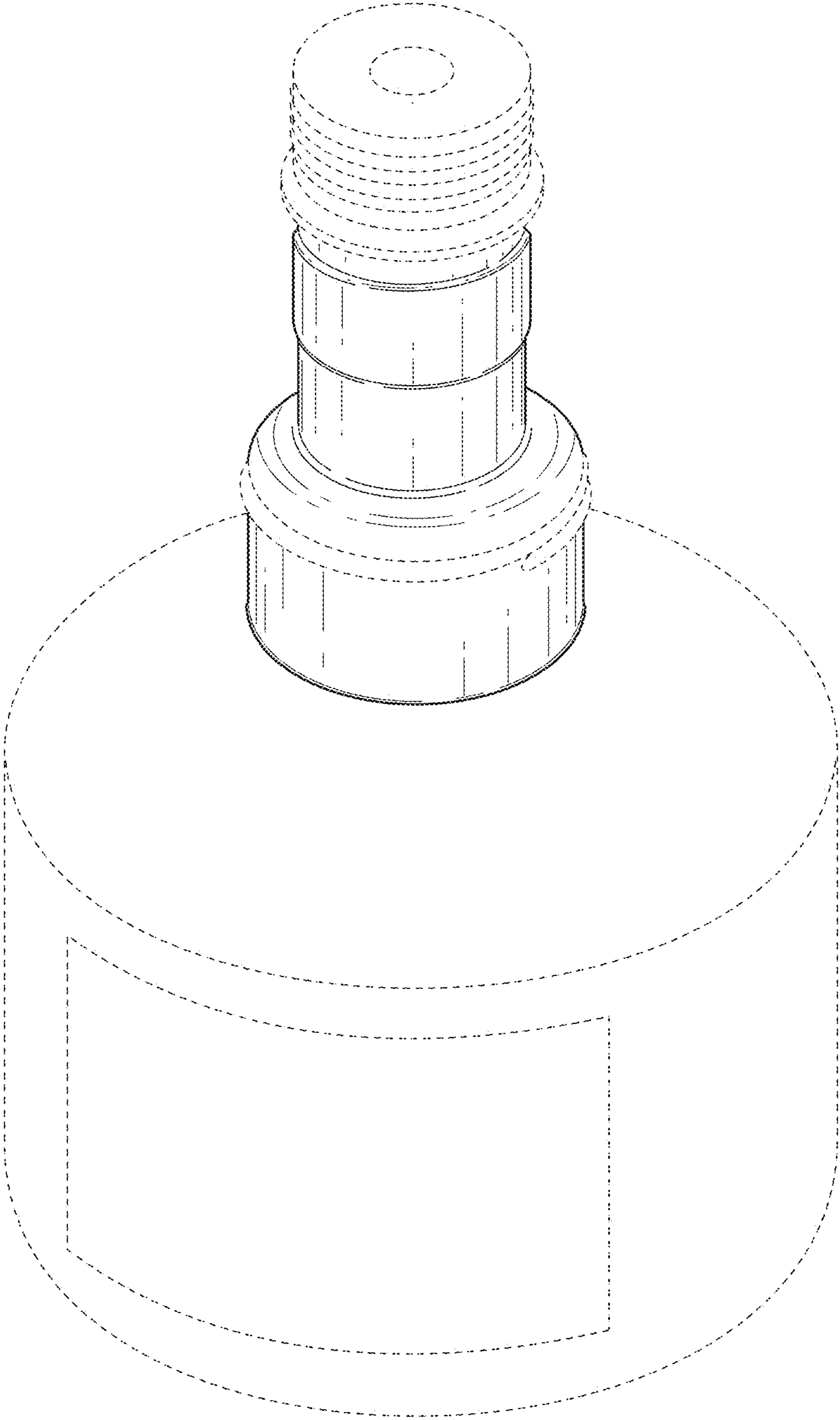


FIG. 1

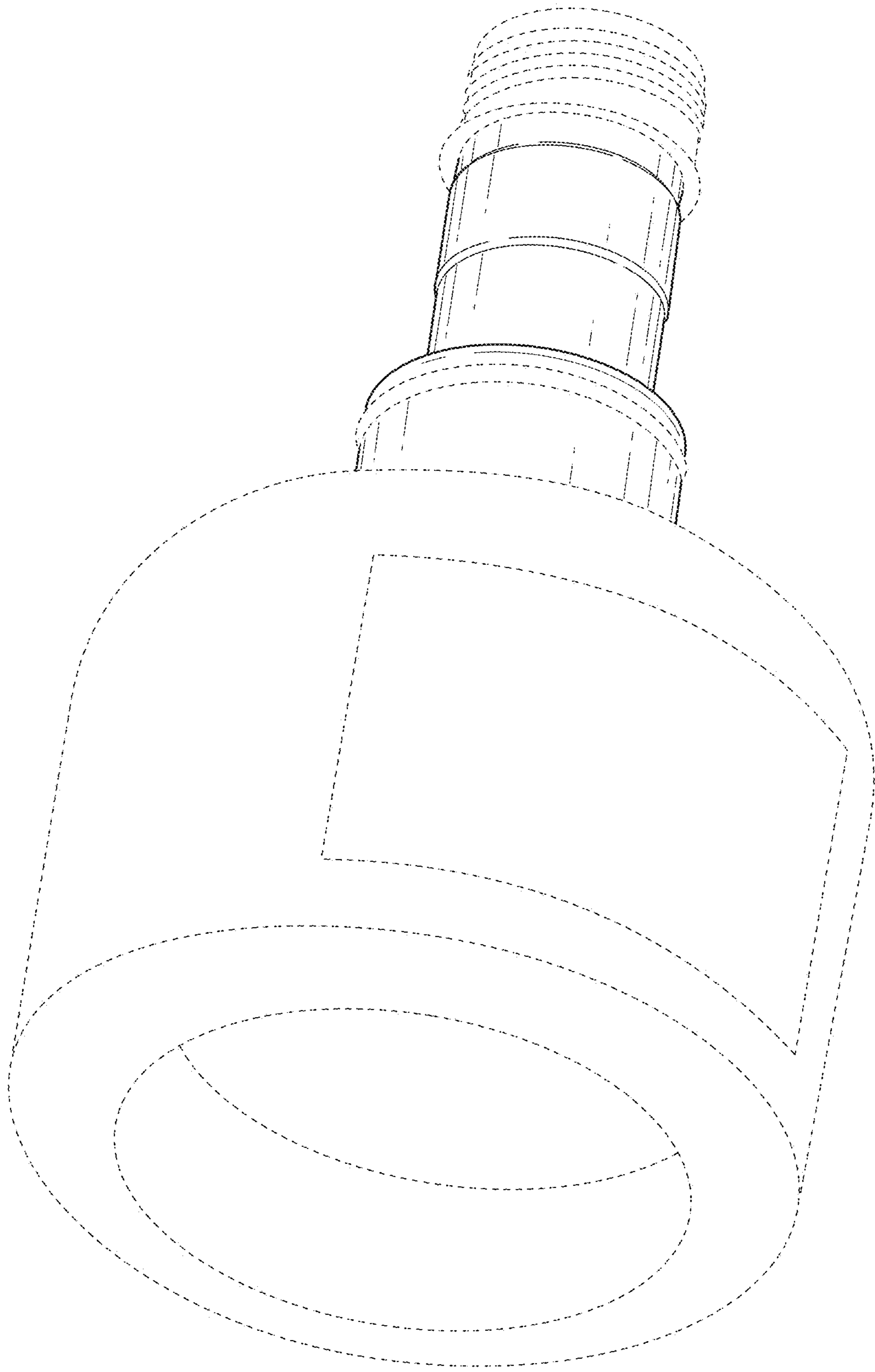


FIG. 2

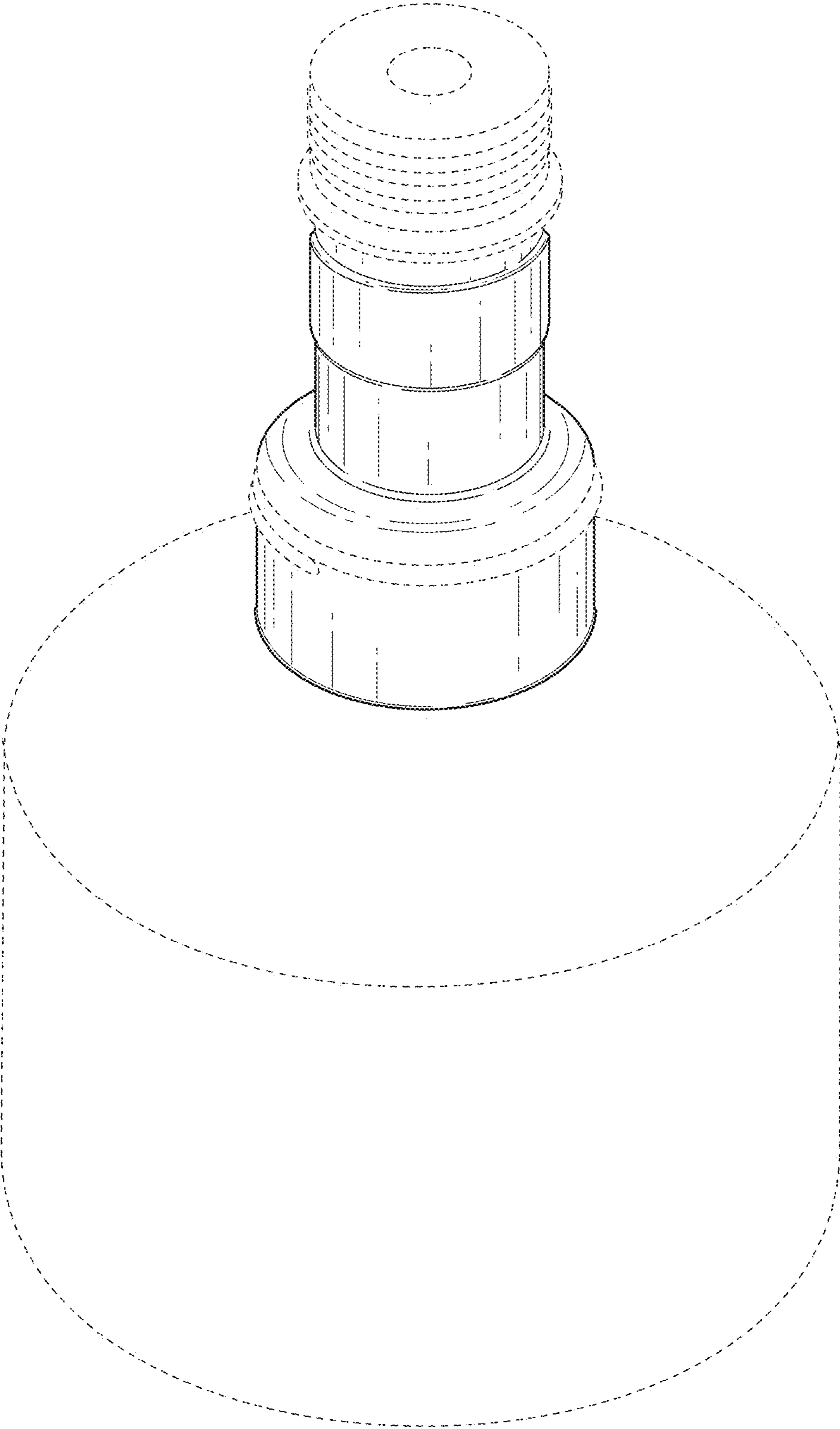


FIG. 3

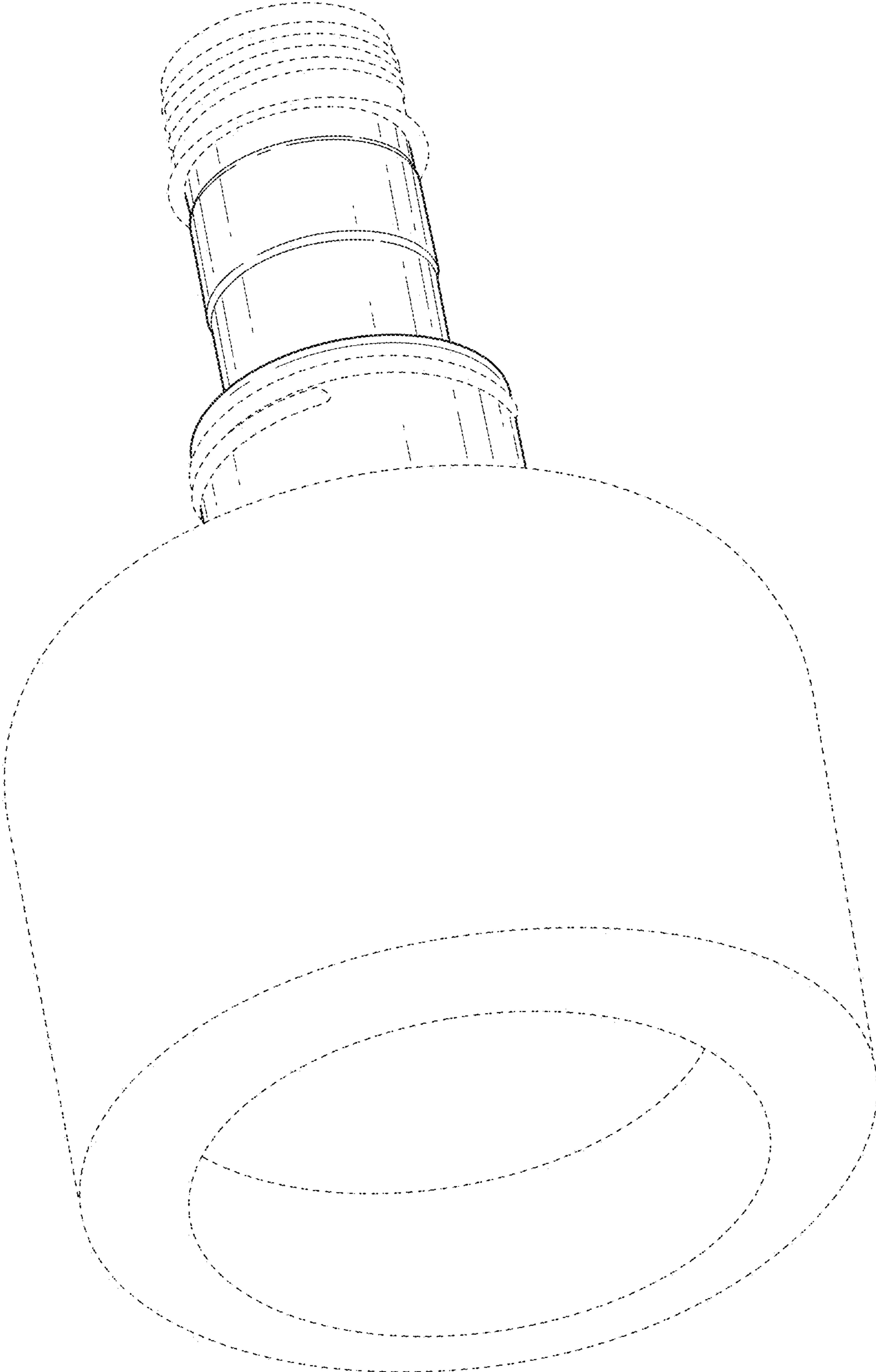


FIG. 4

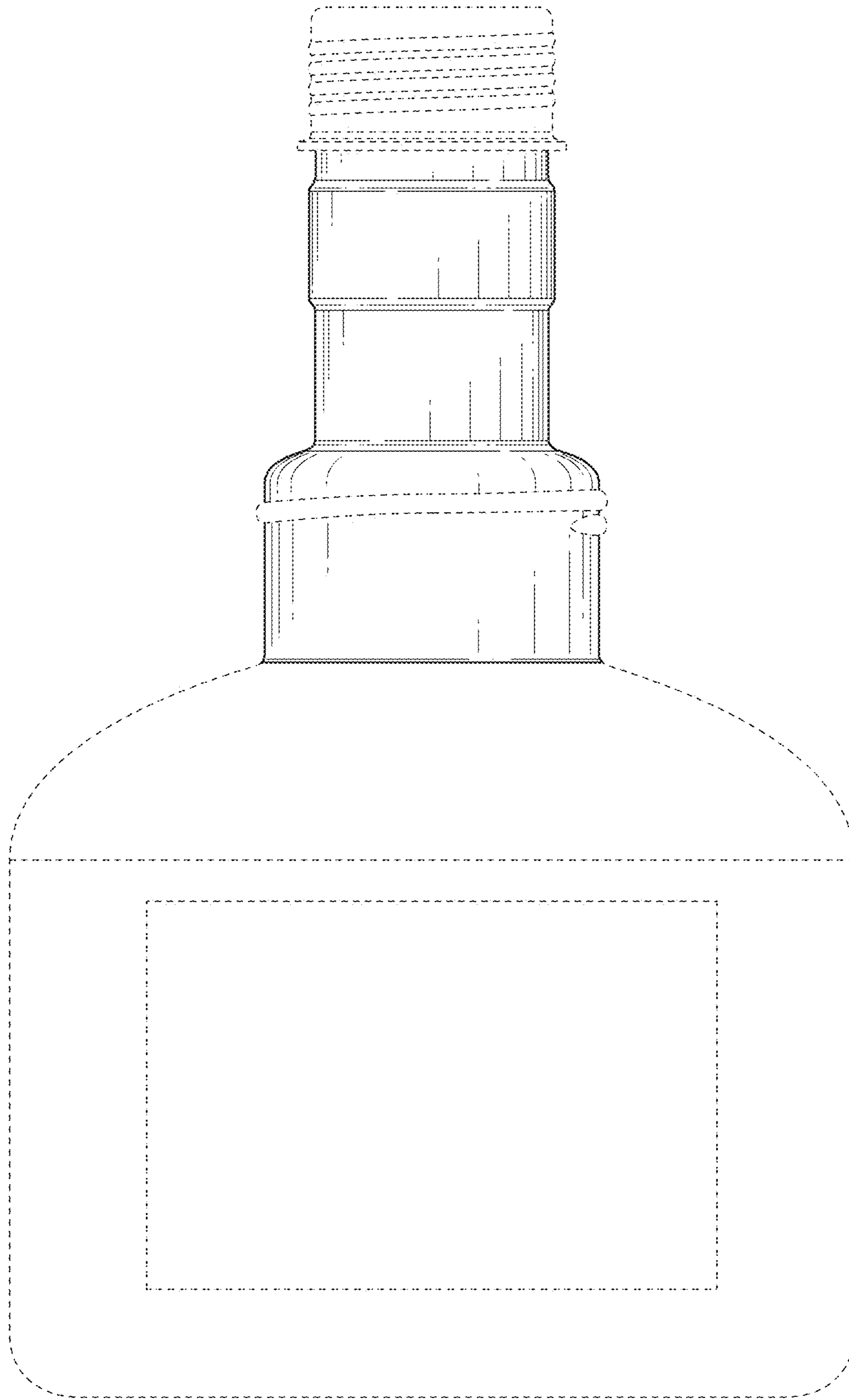


FIG. 5

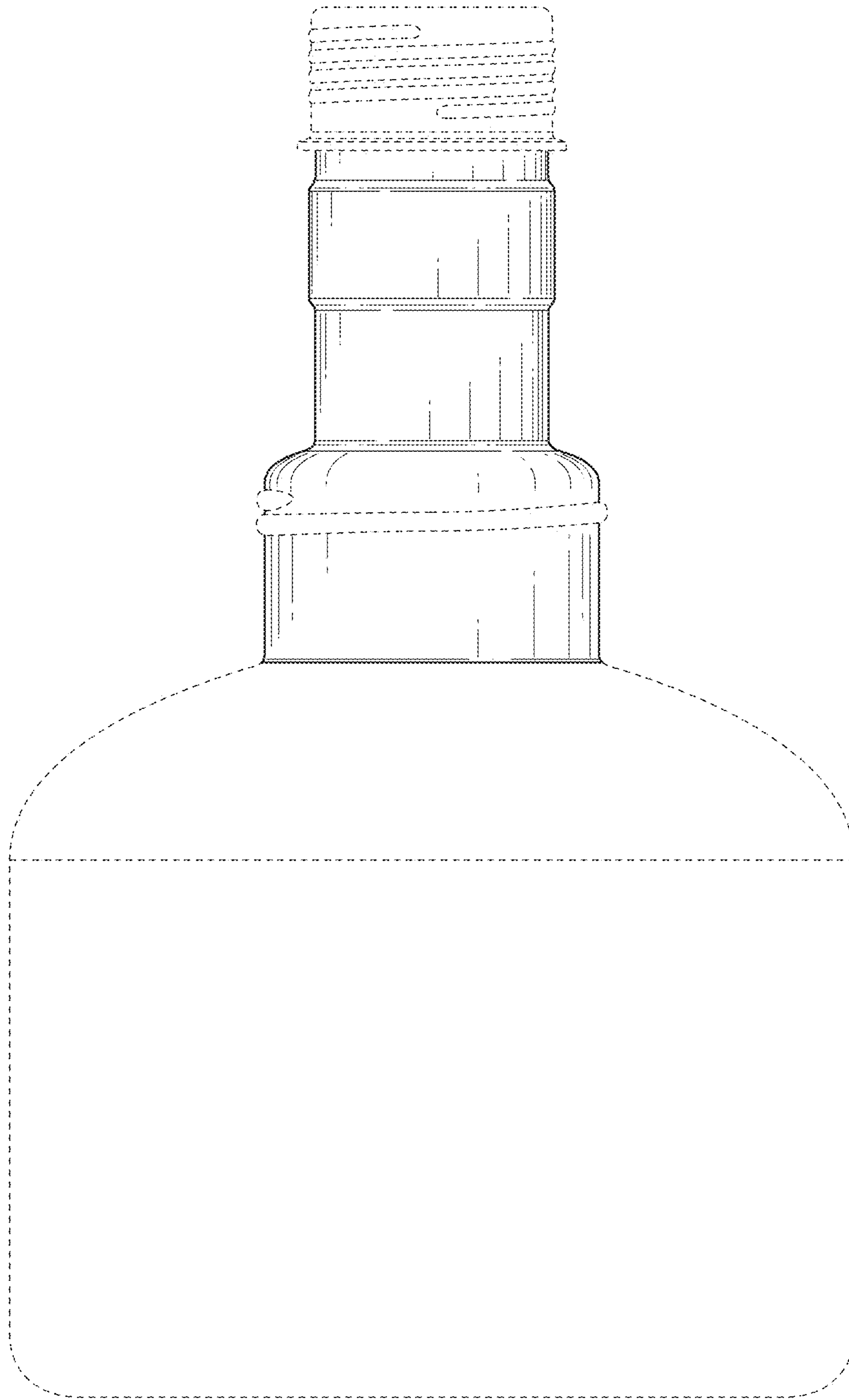


FIG. 6

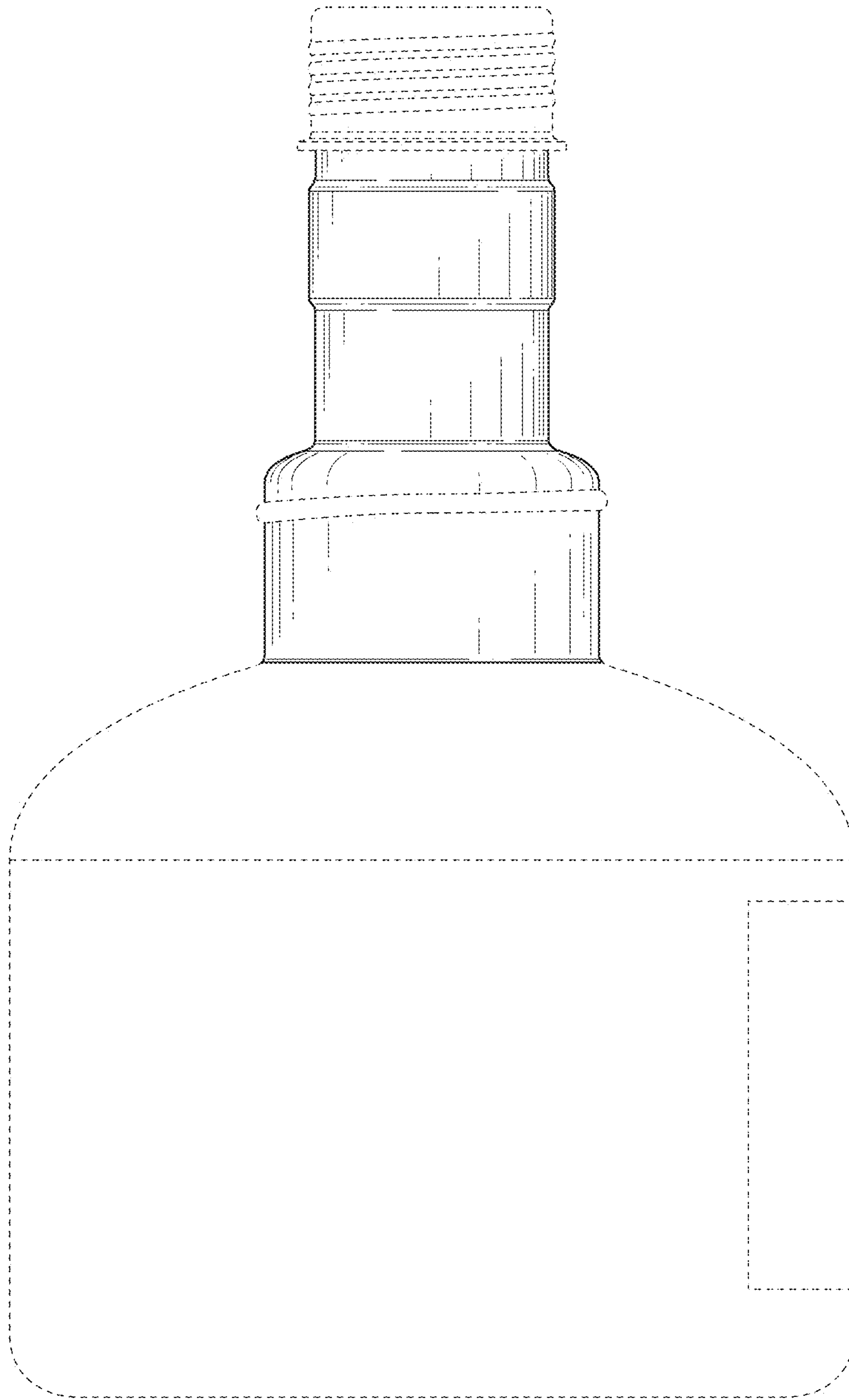


FIG. 7

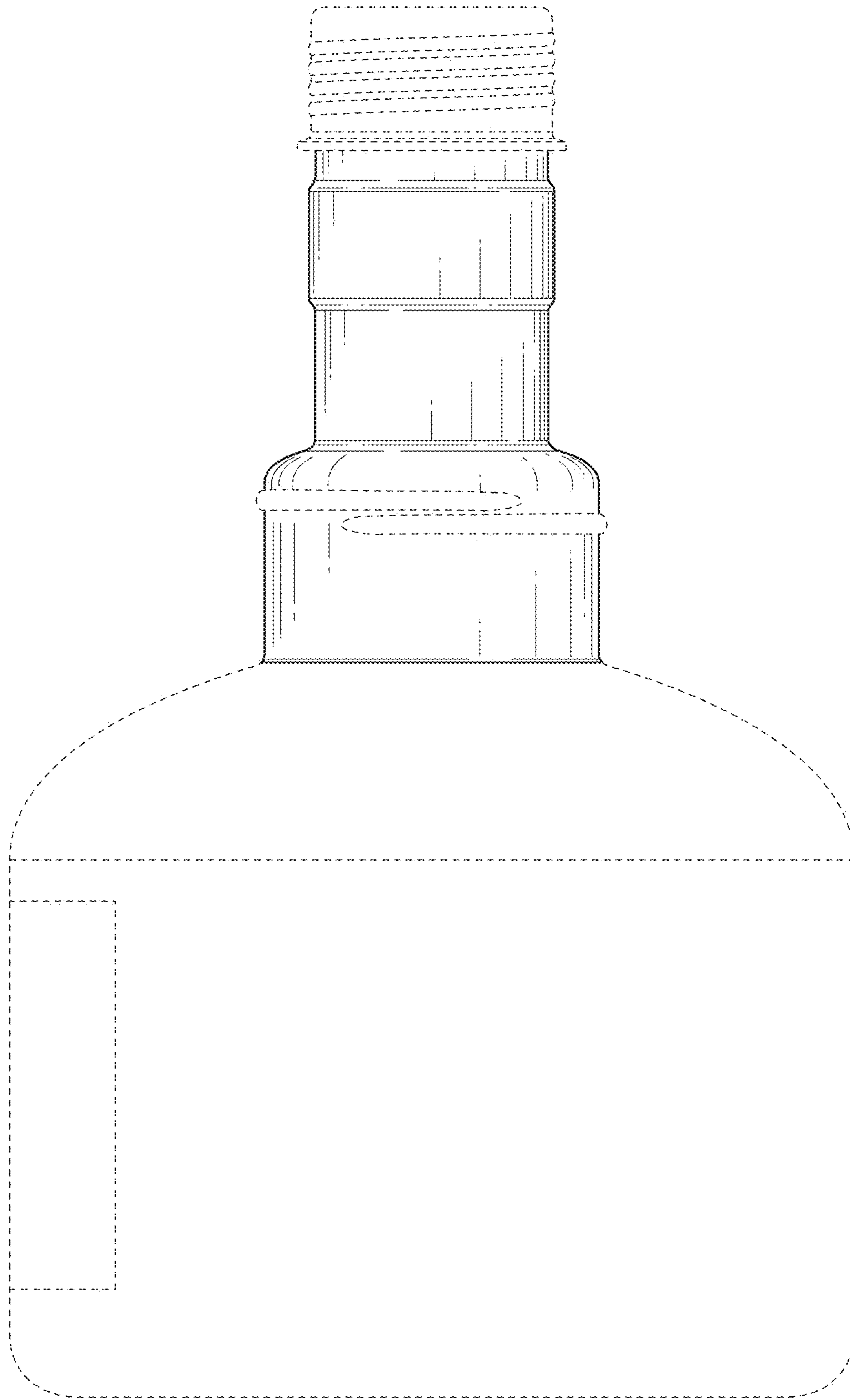


FIG. 8

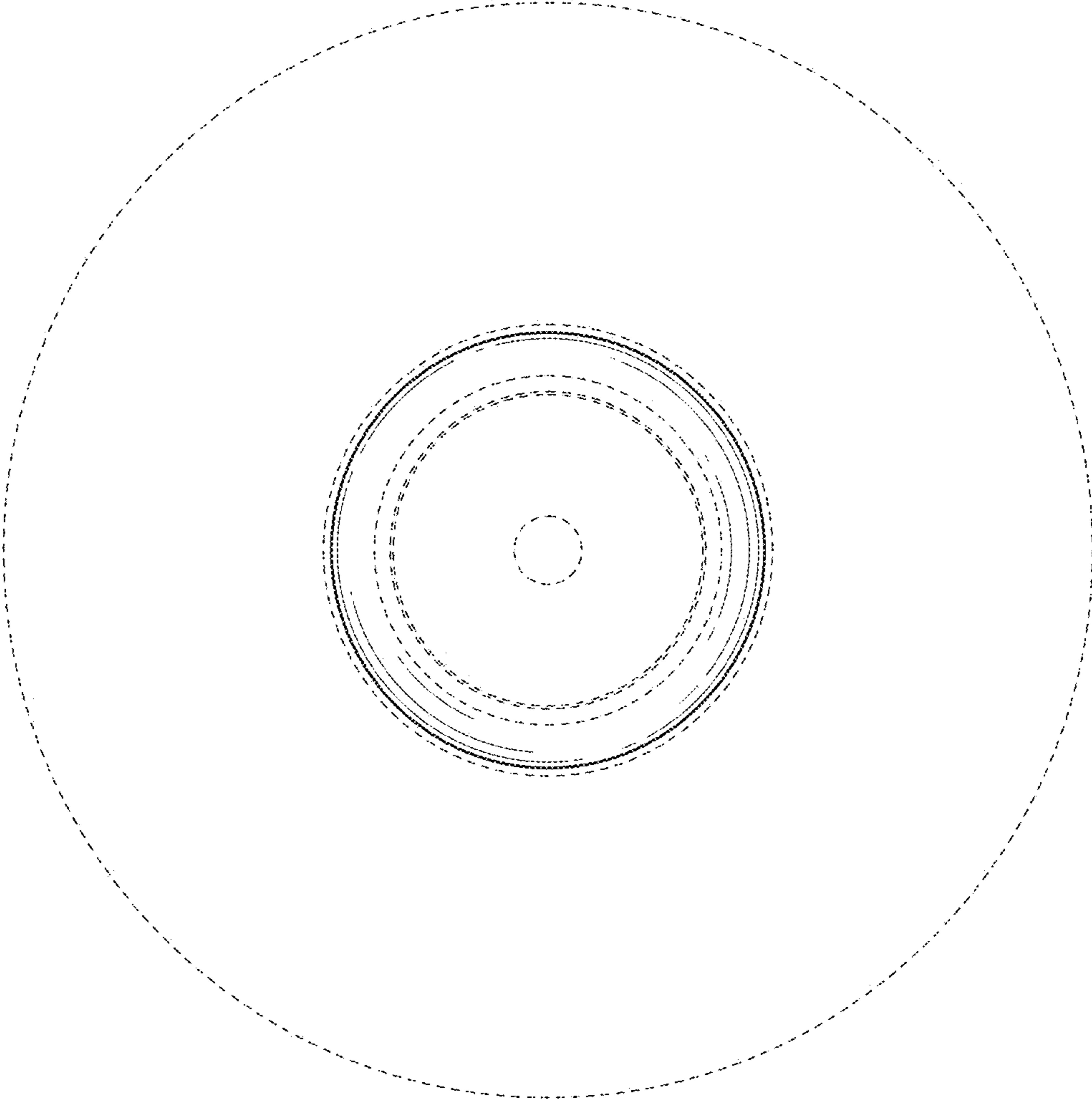


FIG. 9

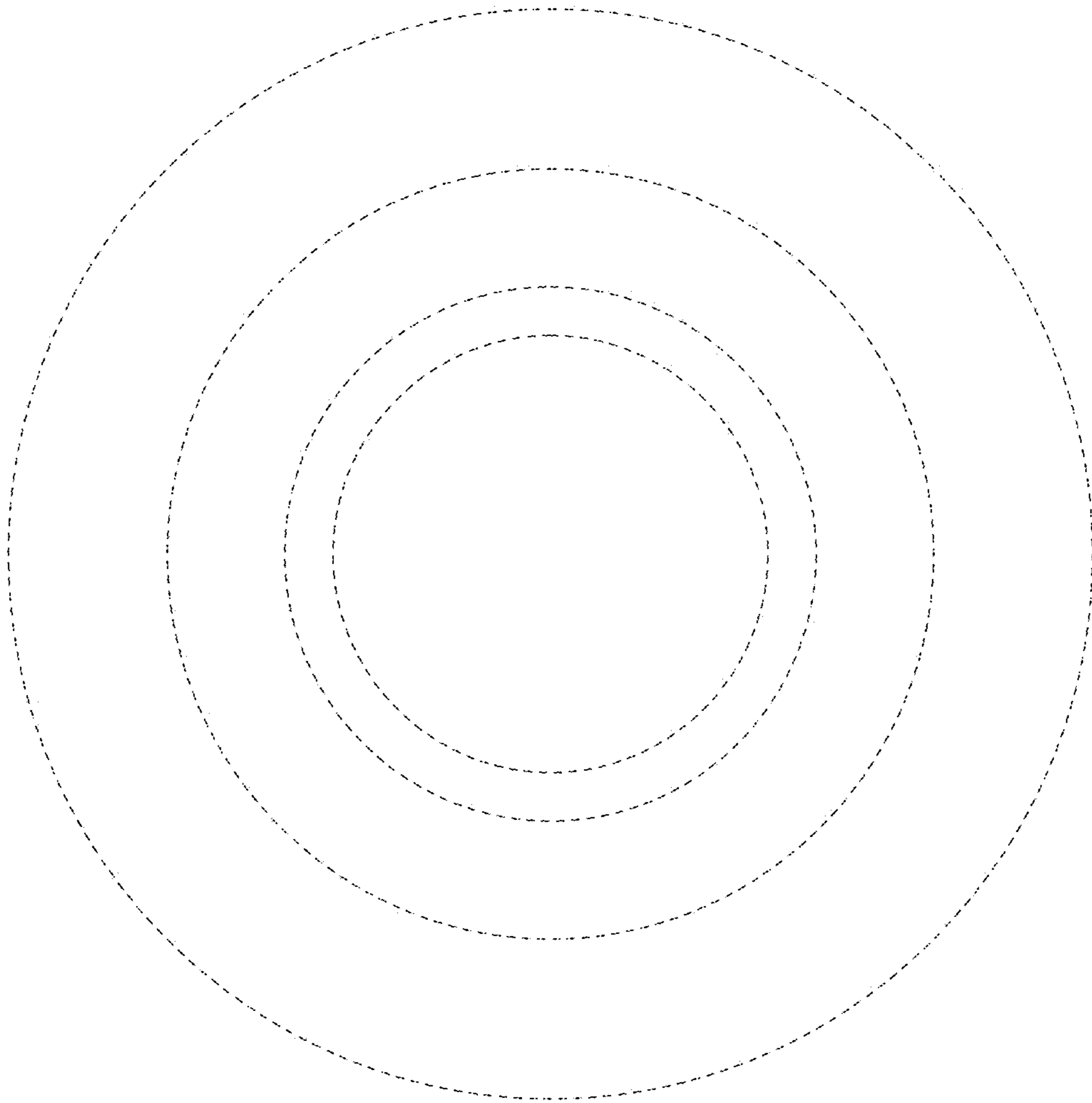


FIG. 10