



US00D967352S

(12) **United States Design Patent**
McClure

(10) **Patent No.:** **US D967,352 S**

(45) **Date of Patent:** **** Oct. 18, 2022**

(54) **BATHTUB DRAIN STRAINER**

(71) Applicant: **Alexander McClure**, Fairfax, VA (US)

(72) Inventor: **Alexander McClure**, Fairfax, VA (US)

(**) Term: **15 Years**

(21) Appl. No.: **29/774,047**

(22) Filed: **Mar. 12, 2021**

(51) **LOC (13) Cl.** **23-01**

(52) **U.S. Cl.**

USPC **D23/261**

(58) **Field of Classification Search**

USPC D23/359, 260, 261, 262, 263, 264, 265,
D23/266, 267, 268, 269, 389, 393;
D13/120; D25/119, 120, 121, 122, 123,
D25/124, 125, 136, 138, 141, 142, 163,
D25/164; D24/129; D9/439, 441;
D4/287, 295; D8/300, 305, 307, 321;
D6/550, 580

CPC ... E04D 13/0409; E04D 13/04; E04D 13/064;
E04D 13/076; E04D 13/0725; E04D
13/0762; E04D 13/0685; E04D 13/0722;
E04D 13/08; E04D 2013/0413; E04D
2013/0436; E04D 13/0767; E04D
2013/0833; E04D 2013/082; E04D
2013/0866; E04D 2013/086; E04D
13/072; E04H 4/1236; E03F 5/06; E03F
5/0404; E03F 5/04; E03F 1/002; F16L
23/00; F16L 27/00; F16L 11/00; F16L
37/252; F16L 41/007; E04B 1/7076;
E04B 1/344; E04B 1/7069; E04B 1/3404;
E04B 1/7069; E03C 1/23; E03C 1/26;
E03C 1/2302; E03C 1/262; E03C 1/28;
E03C 1/298; E03C 1/24; E03C 1/264;
E03D 13/00; E03D 13/005; E04F 17/06

See application file for complete search history.

(56) **References Cited**

U.S. PATENT DOCUMENTS

D341,413 S * 11/1993 Nichols D23/261
D450,106 S * 11/2001 Herr D23/261

D556,402 S * 11/2007 Carlson D32/25
D604,809 S * 11/2009 Mannella D23/260
D650,471 S * 12/2011 Du D23/268
D669,969 S * 10/2012 Forrest D23/261
D763,431 S * 8/2016 Carroll D23/388
D901,240 S * 11/2020 Armistead D23/209
D931,422 S * 9/2021 Drossman D23/261
D935,005 S * 11/2021 Keizers D23/261
D936,188 S * 11/2021 Cohen D23/261

(Continued)

OTHER PUBLICATIONS

“HairClaw 20 Pack | New Version | Disposable Shower Hair
Catcher Strainer Trap for Bathtub Tub Drain | Eco-Friendly Bioplastic”,
https://www.amazon.com/dp/B09GNW156T/ref=cm_sw_r_api_i_SMNJ9DFR2HY3PB5F9W99_0?_encoding=UTF8&psc=1; Reviewed
in the United States on Mar. 22, 2022, retrieved Jul. 7, 2022. (Year:
2022).*

(Continued)

Primary Examiner — Amy C Wierenga

Assistant Examiner — Andrea Marie McKay

(74) *Attorney, Agent, or Firm* — Barry Choobin; Patent
360

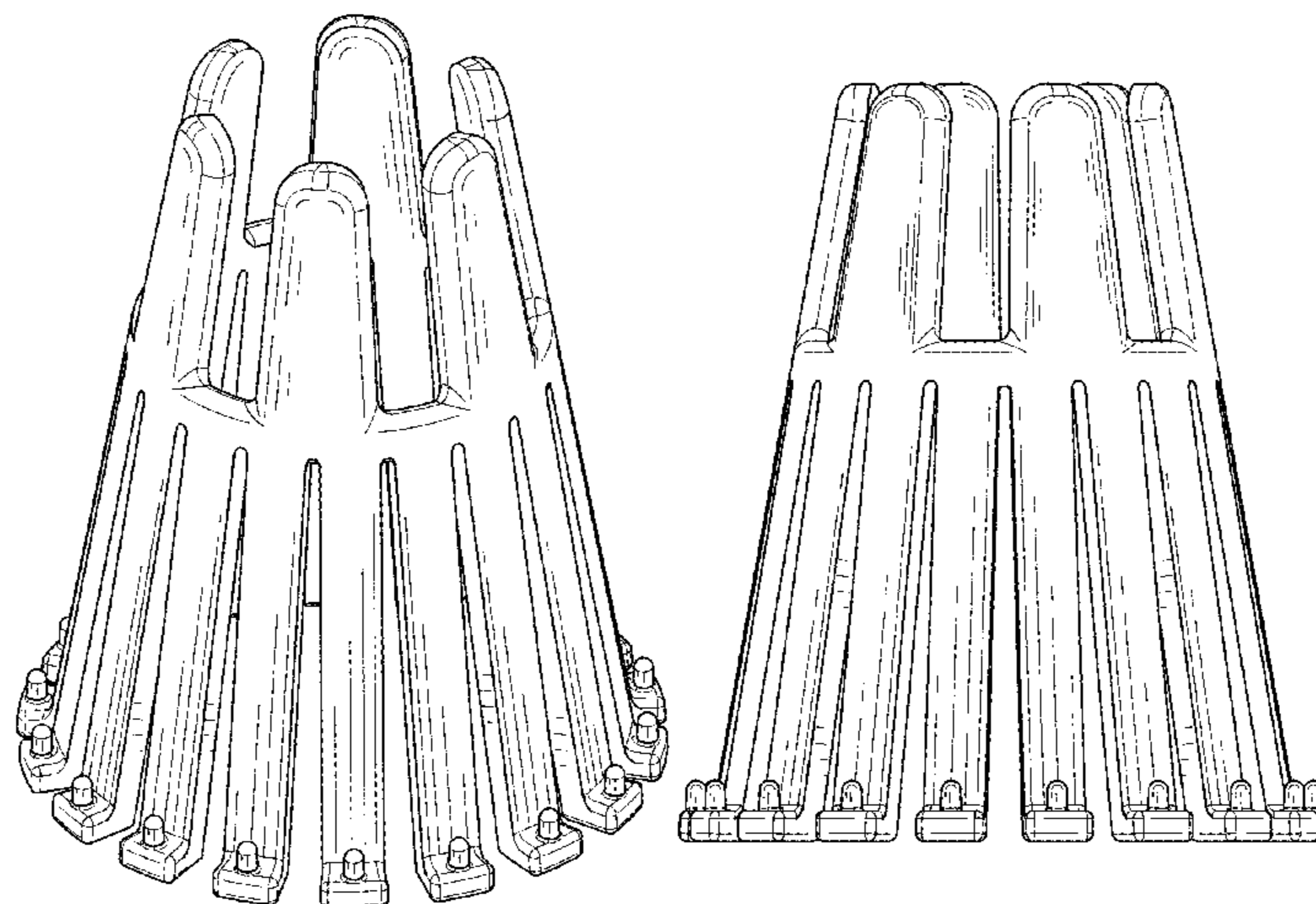
(57) **CLAIM**

The ornamental design for a bathtub drain strainer, as shown
and described.

DESCRIPTION

FIG. 1 is a top perspective view of a bathtub drain strainer,
showing my new design;
FIG. 2 is a front view thereof;
FIG. 3 is a rear view thereof;
FIG. 4 is a right-side elevation view thereof;
FIG. 5 is a left-side elevation view thereof;
FIG. 6 is a top plan view thereof; and,
FIG. 7 is a bottom plan view thereof.

1 Claim, 7 Drawing Sheets



(56)

References Cited

U.S. PATENT DOCUMENTS

D940,836 S * 1/2022 Beck D23/261
D953,460 S * 5/2022 Huang D21/781
2002/0144338 A1* 10/2002 Delanzo E03C 1/264
4/286

OTHER PUBLICATIONS

“Disposable HairClaw 20 Pack | Bathtub Hair Catcher Strainer Trap for Tub Drain | Eco-Friendly Bioplastic”, https://www.amazon.com/dp/B09GNW156T/ref=emc_b_5_t?th=1, Date First Available: Sep. 19, 2021, retrieved Jul. 28, 2022. (Year: 2021).*

* cited by examiner

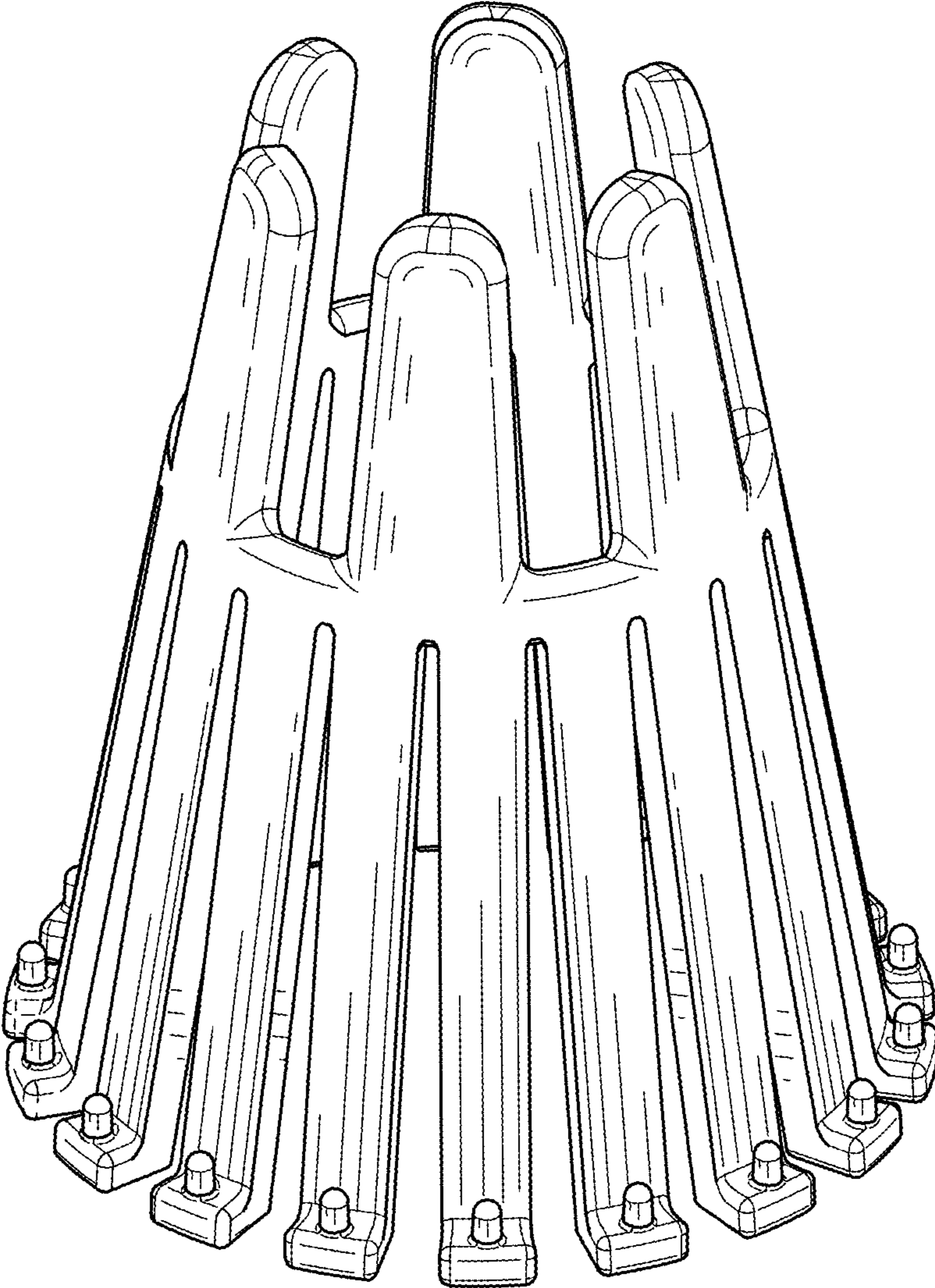


FIG. 1

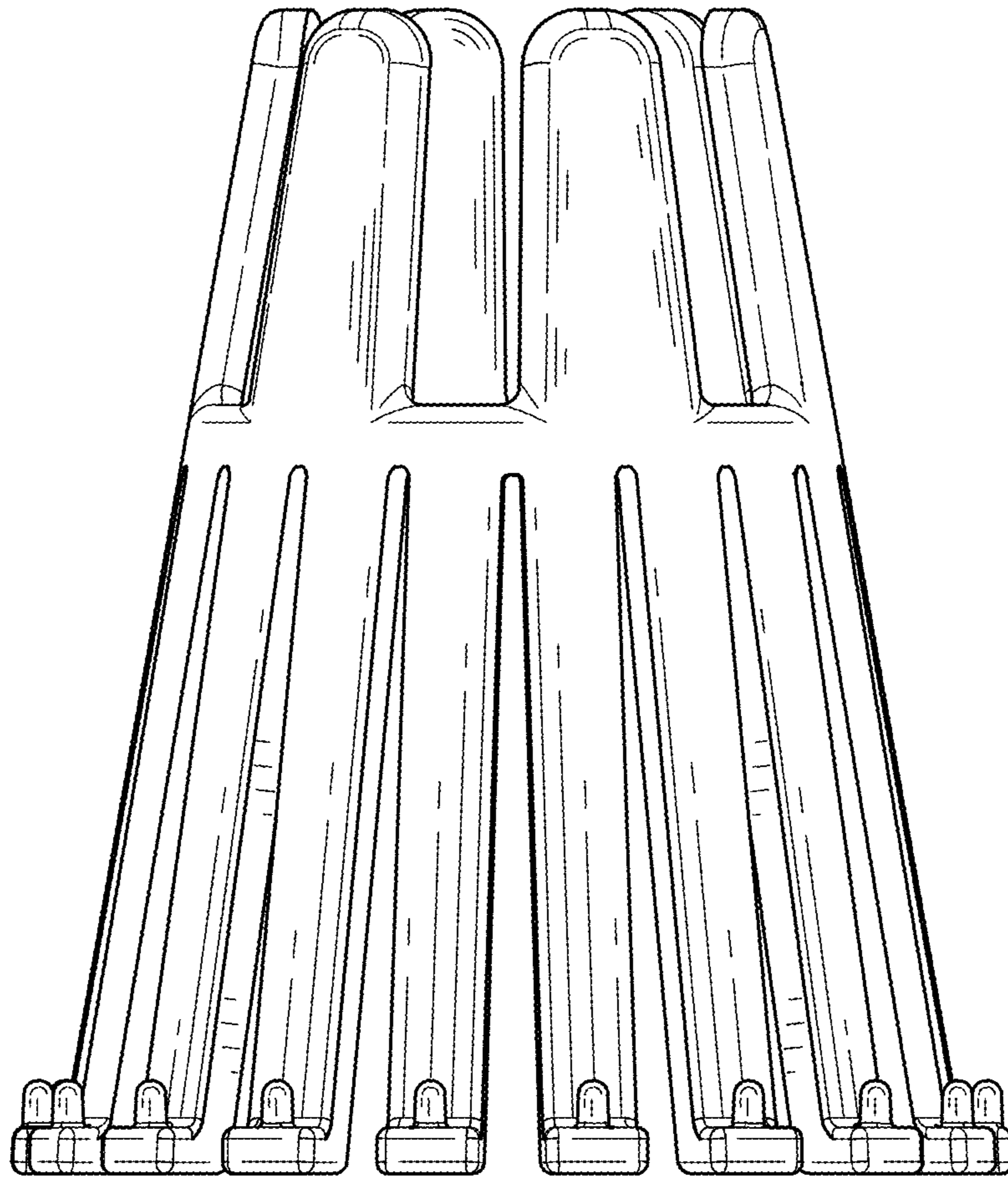


FIG. 2

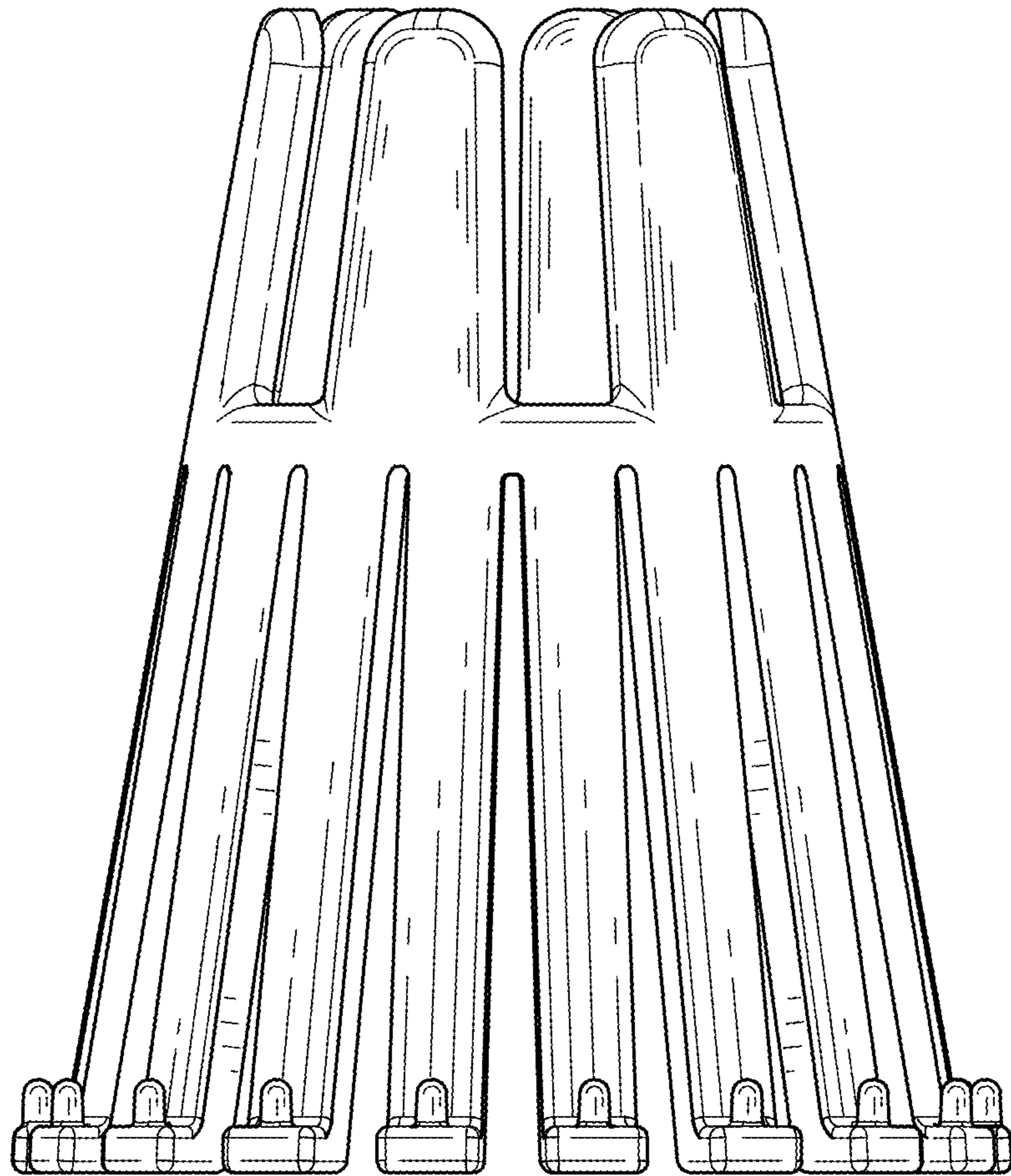


FIG. 3

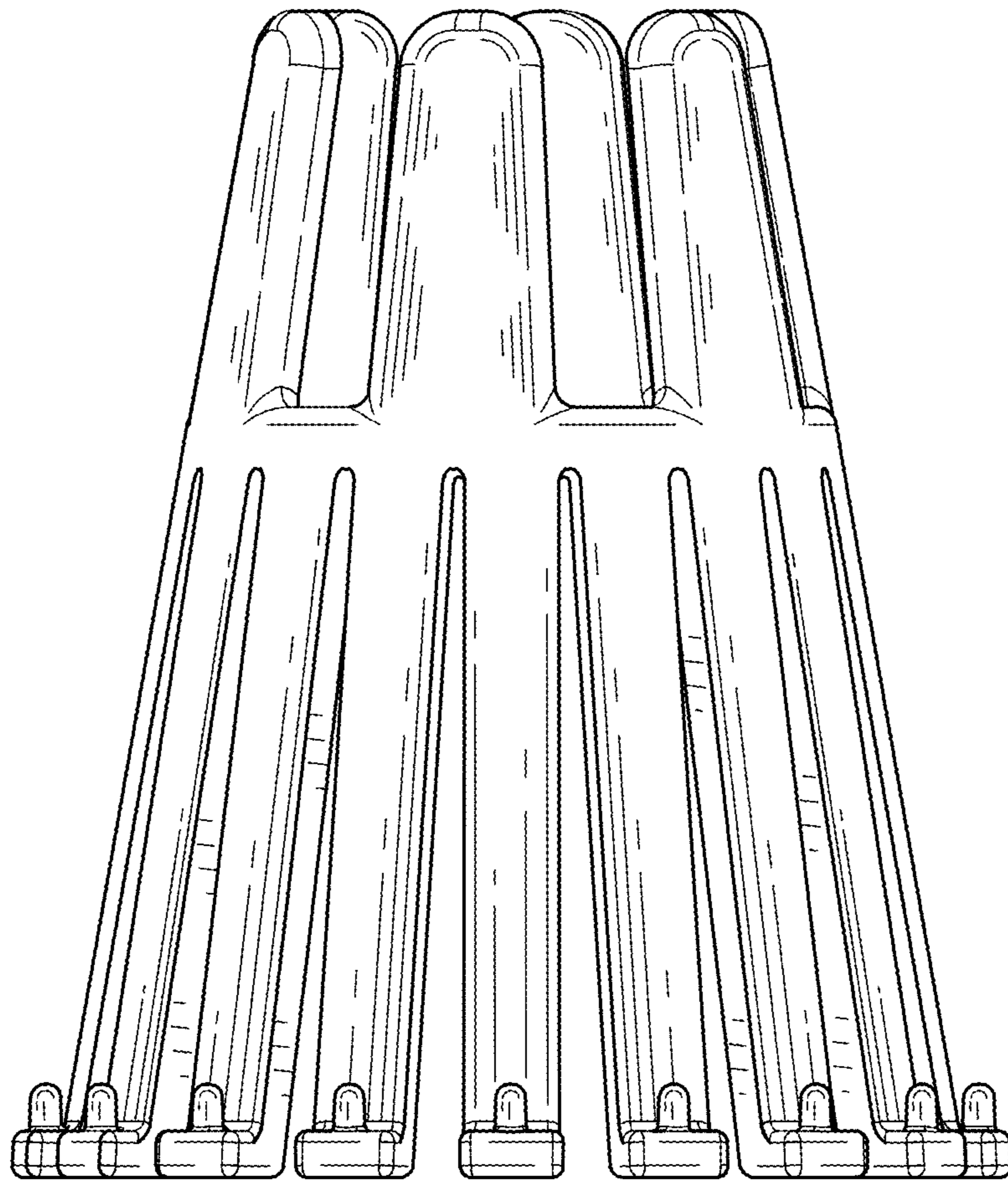


FIG. 4

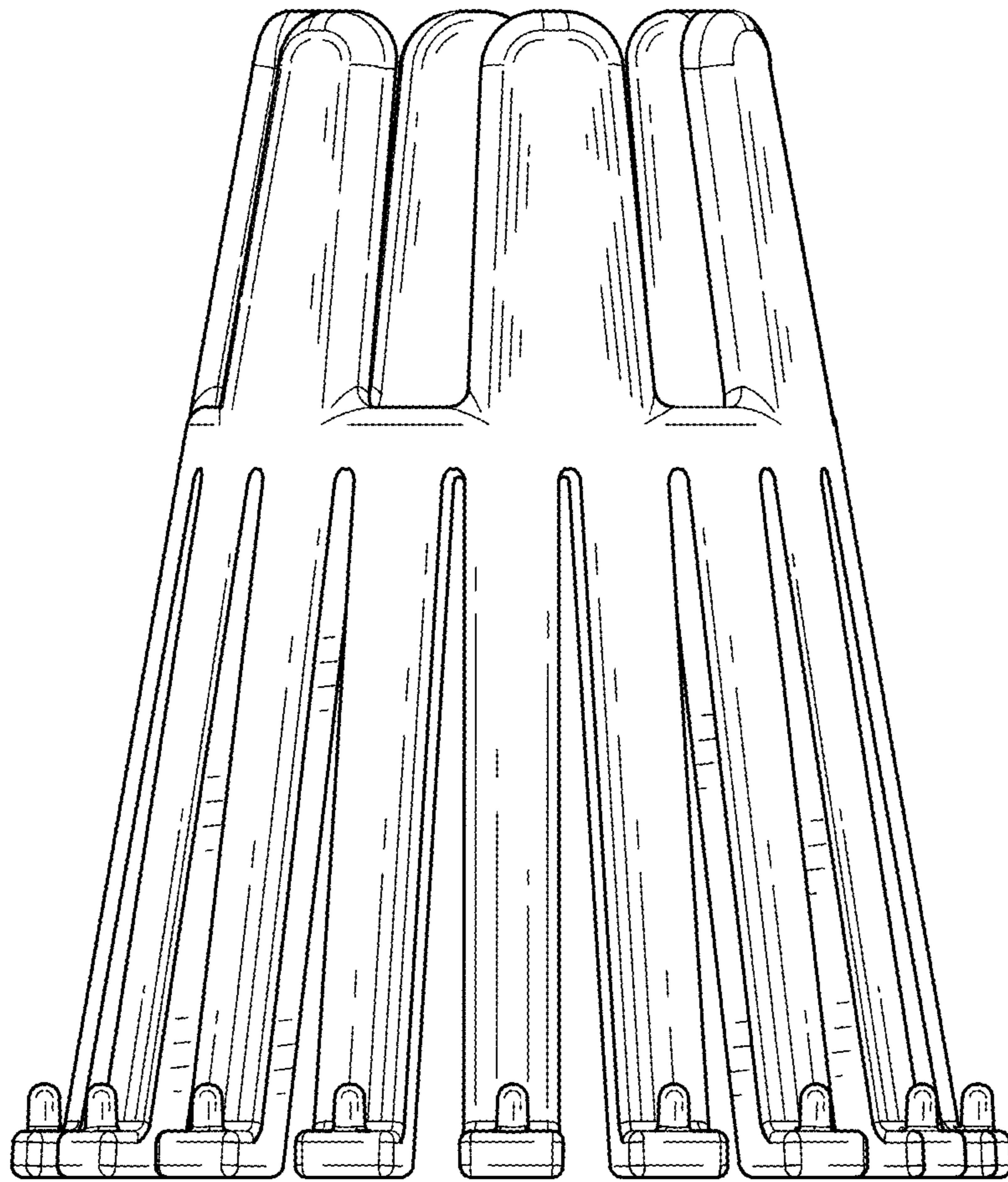


FIG. 5

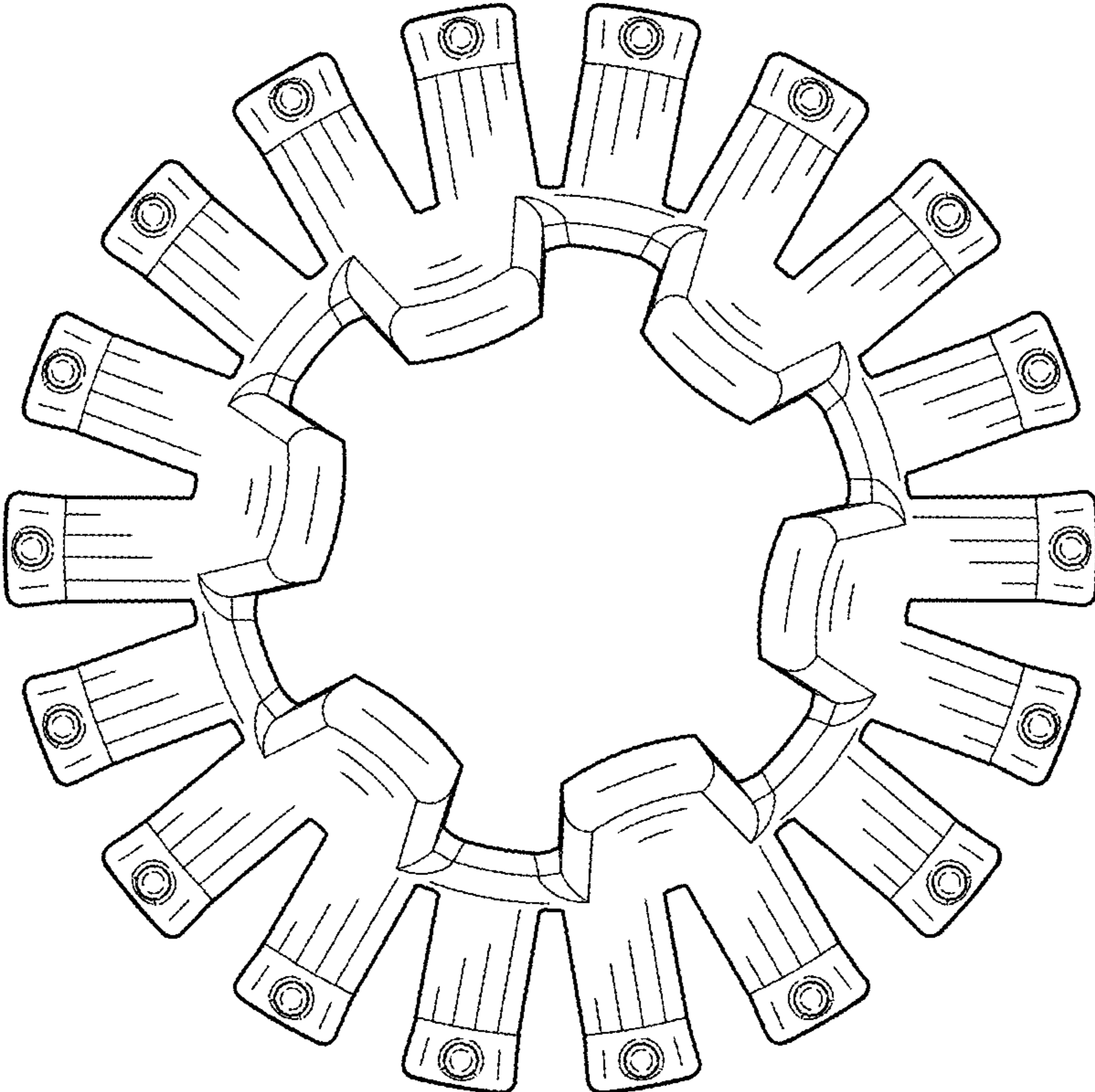


FIG. 6

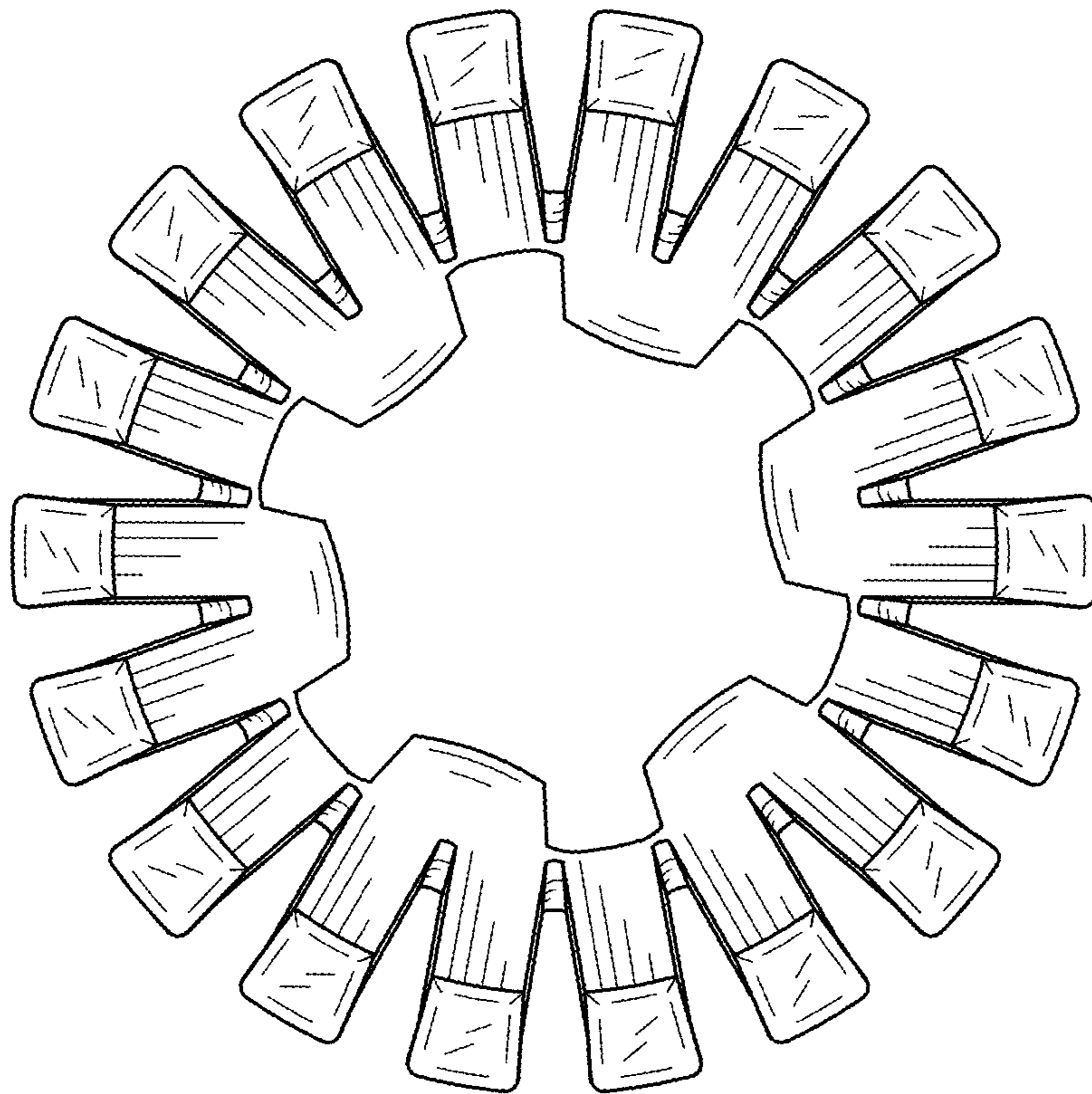


FIG. 7