



US00D967350S

(12) **United States Design Patent** (10) **Patent No.:** **US D967,350 S**  
**Erley** (45) **Date of Patent:** **\*\* Oct. 18, 2022**

(54) **DRAIN STRAINER**  
(71) Applicant: **Patrick Erley**, Cle Elum, WA (US)  
(72) Inventor: **Patrick Erley**, Cle Elum, WA (US)  
(\*\*) Term: **15 Years**  
(21) Appl. No.: **29/737,992**  
(22) Filed: **Jun. 12, 2020**  
(51) **LOC (13) Cl.** ..... **23-01**  
(52) **U.S. Cl.**  
USPC ..... **D23/261**  
(58) **Field of Classification Search**  
USPC ..... D23/213, 223, 233, 249, 250, 253,  
D23/259-269, 323, 333; D7/300.1, 313,  
D7/388, 509, 510, 523; D14/188, 194,  
D14/195, 204, 221, 228; D26/26, 37, 40,  
D26/46, 49, 93, 104, 105; D15/7;  
D24/108, 110.6, 112, 129; D6/403;  
D11/143, 152, 155, 164; D8/382  
CPC ..... F16L 1/00; F16L 9/00; F16L 13/00; F16L  
13/146; F16L 2101/00; F16L 17/035;  
F16L 37/10; F16L 41/06; F16L 41/12;  
F16L 41/14; F16L 41/082; F16L 47/30;  
A47L 9/02; A47L 9/24; A47L 9/242;  
A47L 9/244; A47L 9/248; A61M 16/08;  
A61M 16/0816; A61M 16/0833; A61M  
29/00; A61M 39/223; A01G 9/02; A01G  
9/04; A01G 9/042; A47K 1/14; E03C  
1/262  
See application file for complete search history.

(56) **References Cited**  
U.S. PATENT DOCUMENTS  
1,773,547 A \* 8/1930 Robertson ..... E03C 1/262  
4/287  
2,890,463 A \* 6/1959 Young ..... E03C 1/262  
4/287  
D284,266 S \* 6/1986 Resan ..... D8/382

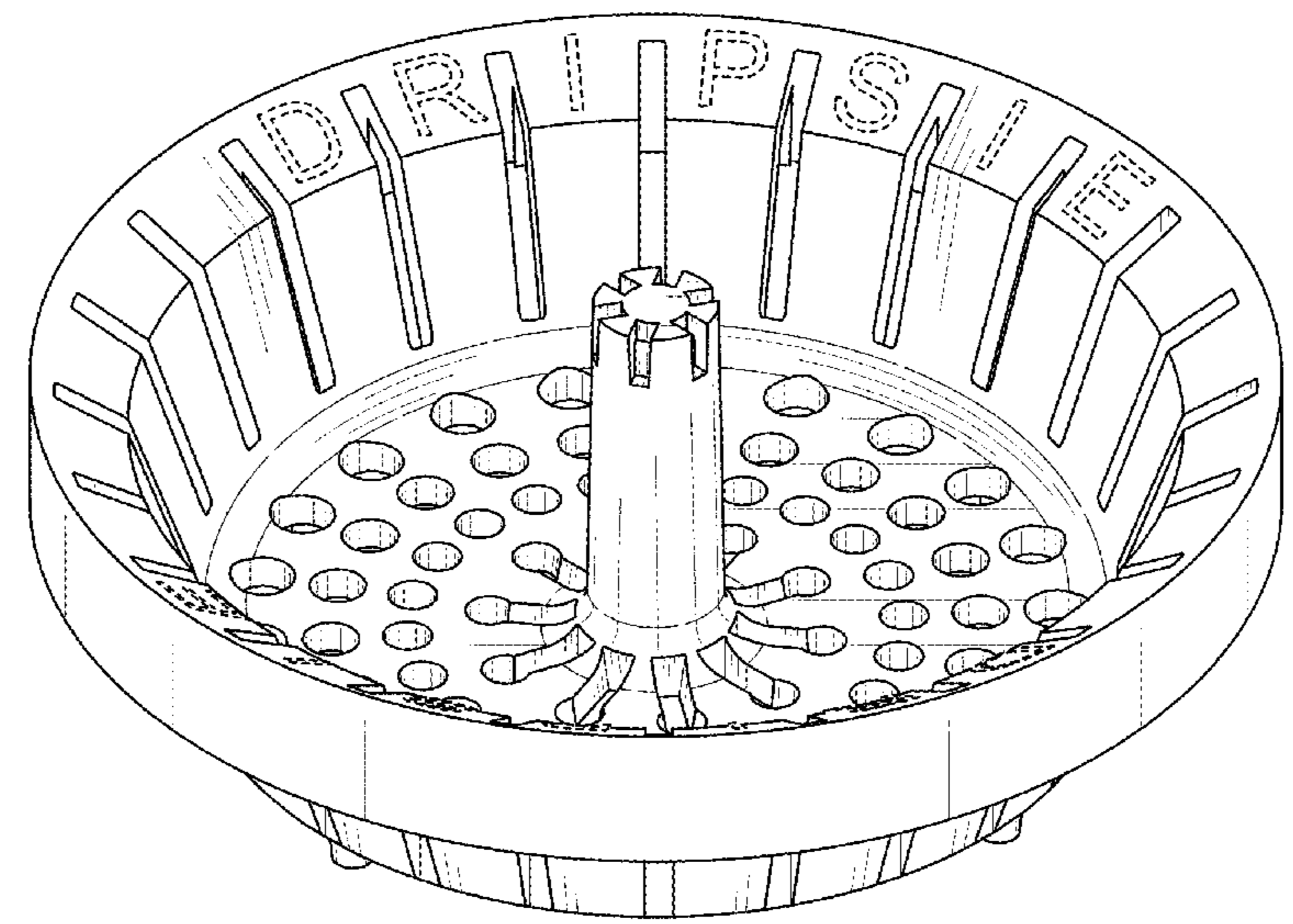
5,830,350 A 11/1998 Voss  
6,387,261 B1 5/2002 Mojena  
7,458,108 B2 12/2008 Wolf  
7,467,425 B2 12/2008 Harnes  
D599,444 S 9/2009 Jones  
D669,969 S 10/2012 Forrest  
D673,246 S \* 12/2012 Lee ..... D23/260  
D728,078 S \* 4/2015 Scott ..... D23/261  
D783,782 S \* 4/2017 Scott ..... D23/261  
9,752,306 B2 9/2017 Scamuffa  
10,030,373 B1 \* 7/2018 Batista ..... E03C 1/262  
D832,408 S 10/2018 St-Antoine  
D855,160 S \* 7/2019 Najimi ..... D23/261  
10,344,460 B2 7/2019 Karnegie  
(Continued)

*Primary Examiner* — Gino Colan  
*Assistant Examiner* — David OBrien  
(74) *Attorney, Agent, or Firm* — Quickpatents, LLC;  
Kevin Prince

(57) **CLAIM**  
The ornamental design for a drain strainer, as shown and described.

**DESCRIPTION**  
FIG. 1 is a top perspective view of a drain strainer, showing my new design;  
FIG. 2 is a bottom perspective view thereof;  
FIG. 3 is a top plan view thereof;  
FIG. 4 is a bottom plan view thereof;  
FIG. 5 is a front elevational view thereof, the rear elevational view being a mirror image thereof;  
FIG. 6 is a left-side elevational view thereof, the right-side elevational view being a mirror image thereof;  
FIG. 7 is a cross-sectional view thereof, taken along line 7-7 of FIG. 3; and,  
FIG. 8 is a cross-sectional view thereof, taken along line 8-8 of FIG. 3.  
The broken lines showing a text logo in the figures depict environmental matter and form no part of the claimed design.

**1 Claim, 6 Drawing Sheets**



(56)

**References Cited**

U.S. PATENT DOCUMENTS

D855,782	S *	8/2019	Karnegie .....	D23/261
2004/0107489	A1	6/2004	Caterina	
2006/0207003	A1 *	9/2006	Harmes .....	A47K 1/14 4/286
2008/0083059	A1 *	4/2008	Escobar .....	E03C 1/262 4/290
2008/0098504	A1	5/2008	Knox	
2008/0169228	A1	7/2008	Ventura	
2012/0012510	A1	1/2012	Ventura	
2014/0053327	A1 *	2/2014	Lee .....	E03C 1/262 4/287
2015/0259892	A1	9/2015	Guterman	
2018/0202136	A1	7/2018	Karnegie	
2018/0274218	A1	9/2018	Karnegie	
2018/0320348	A1 *	11/2018	Schuster .....	E03C 1/262
2019/0218758	A1	7/2019	Karnegie	
2020/0123749	A1	4/2020	Littlejohn	

\* cited by examiner

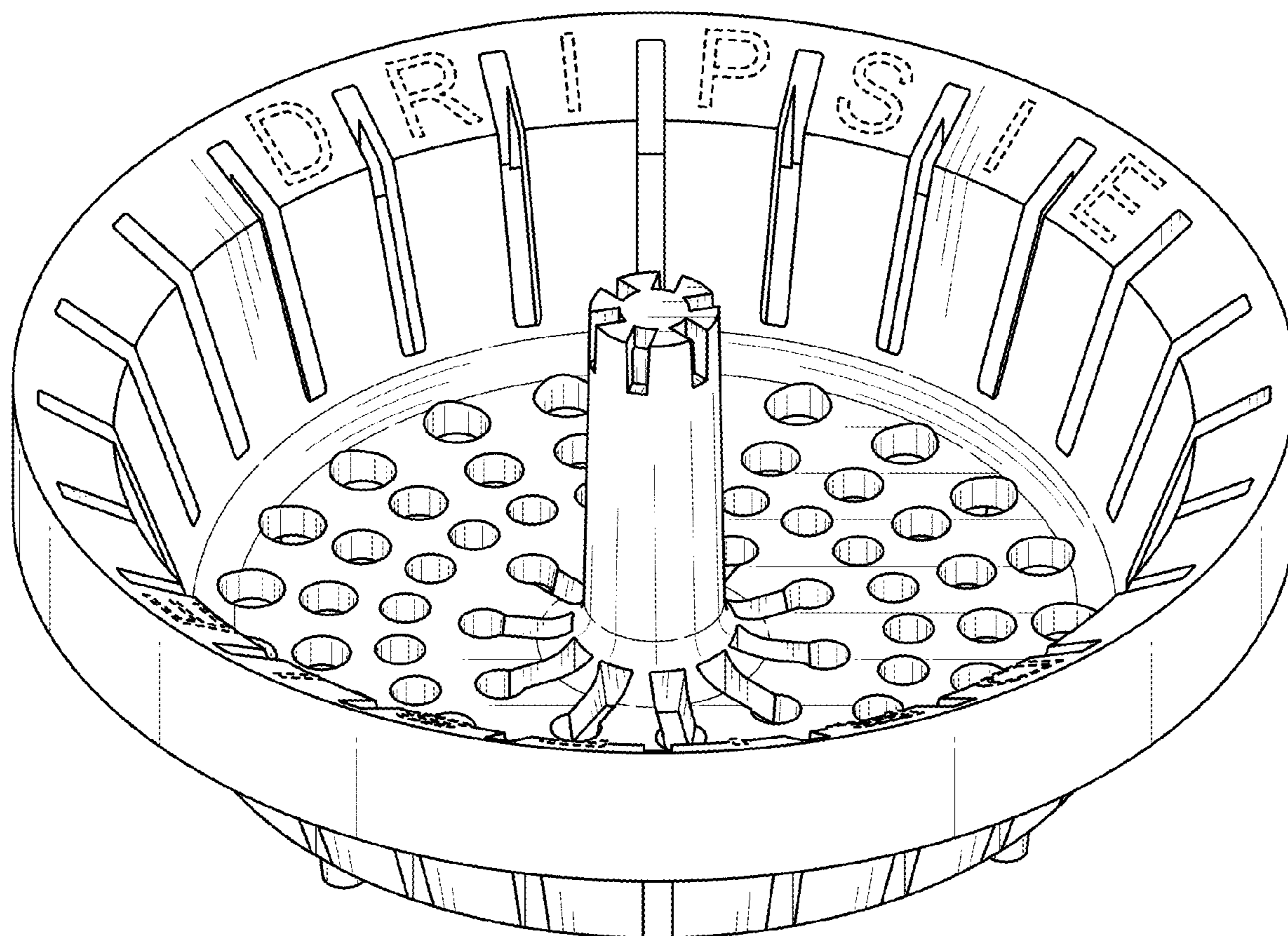


FIG. 1

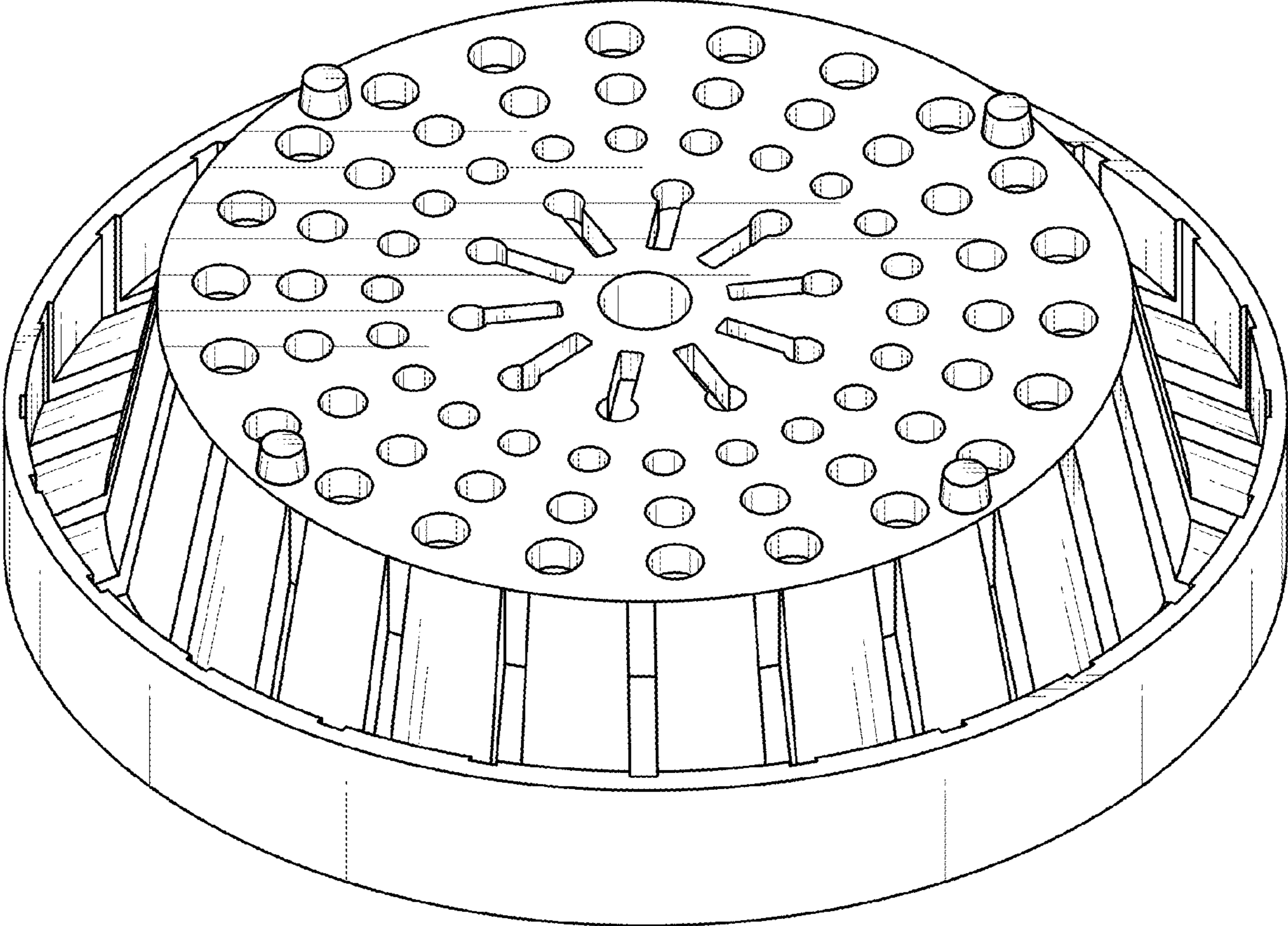
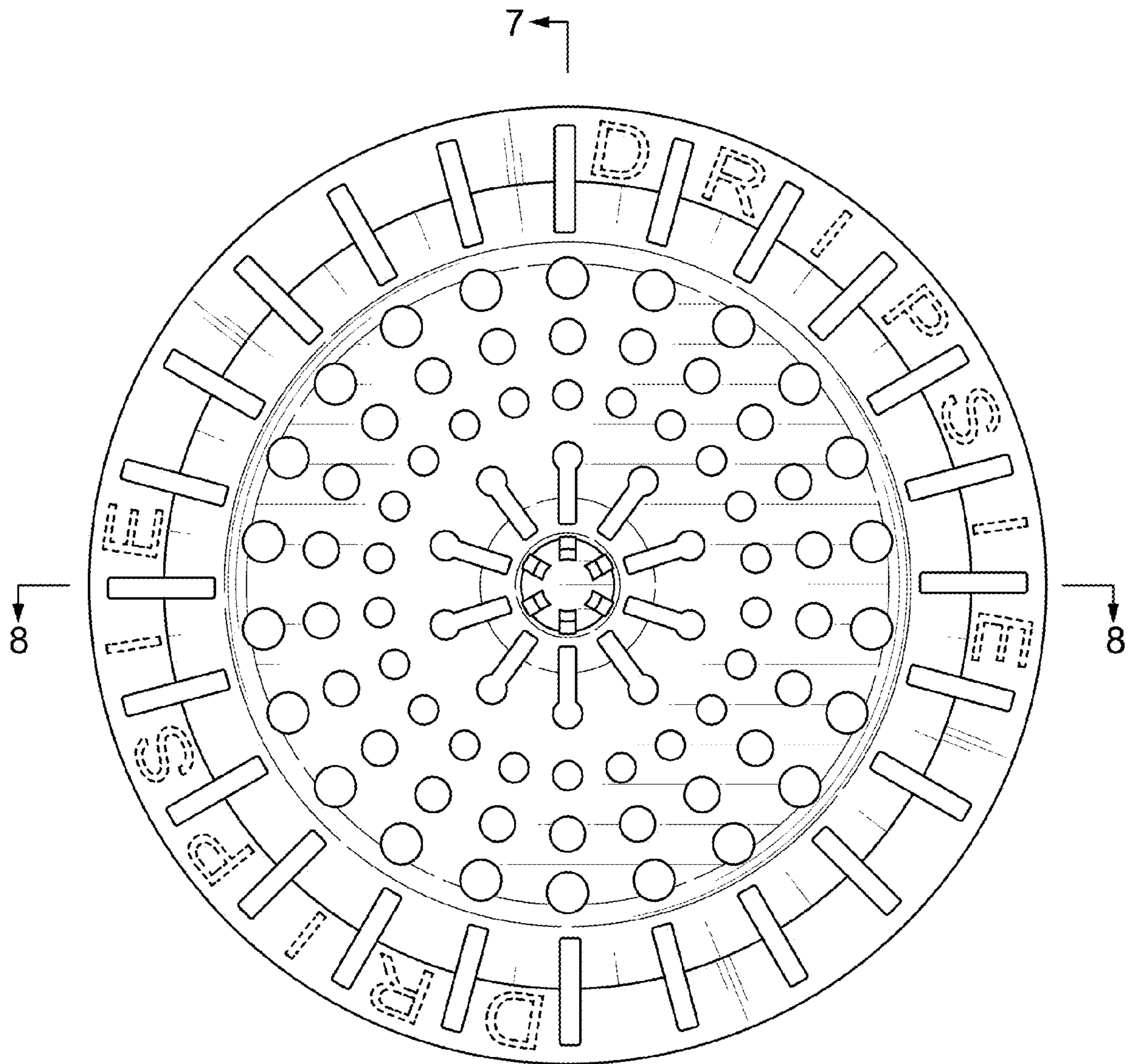


FIG. 2



7  
7  
FIG. 3

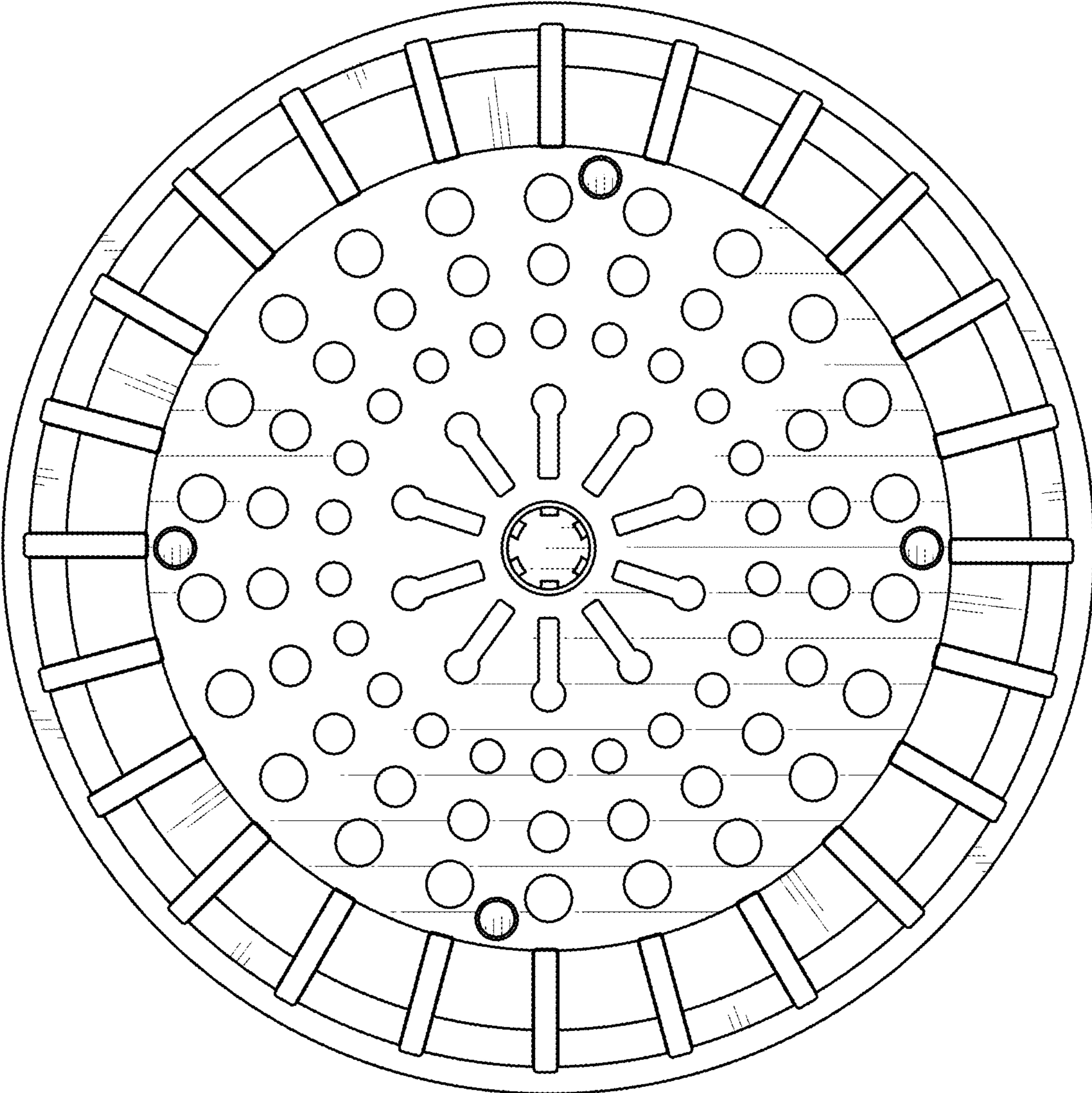


FIG. 4

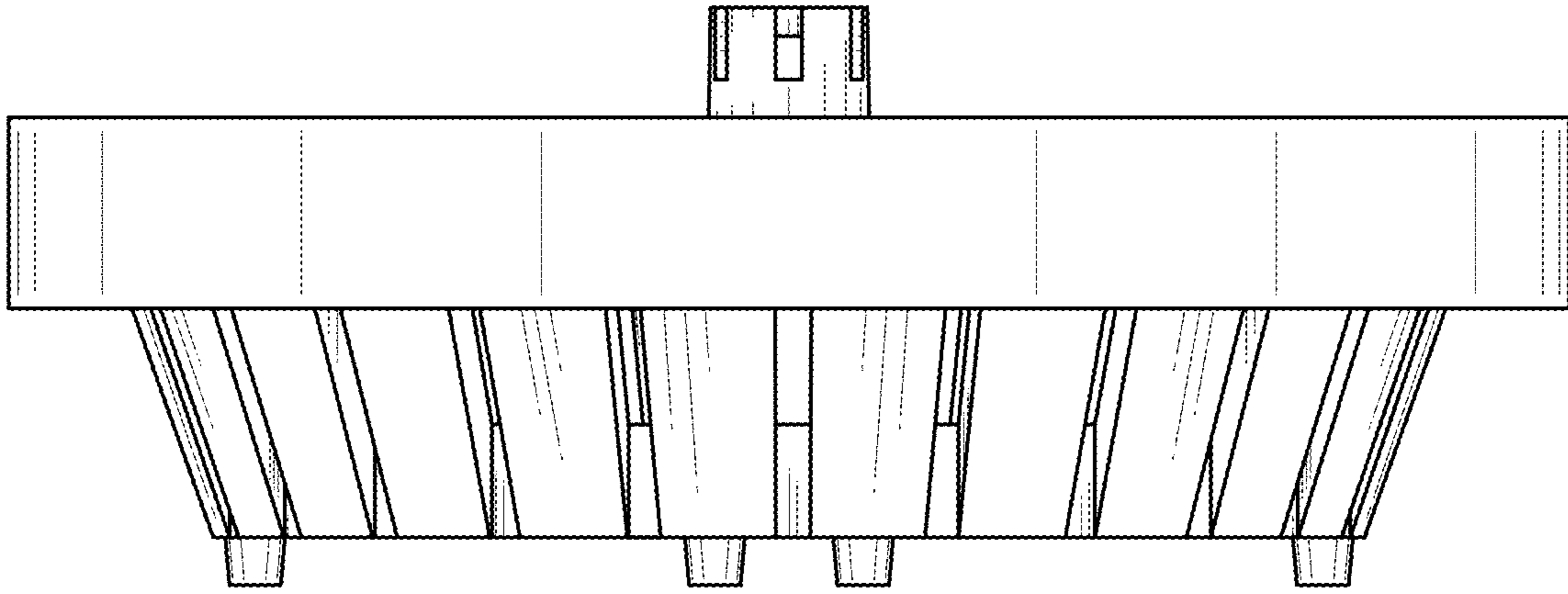


FIG. 5

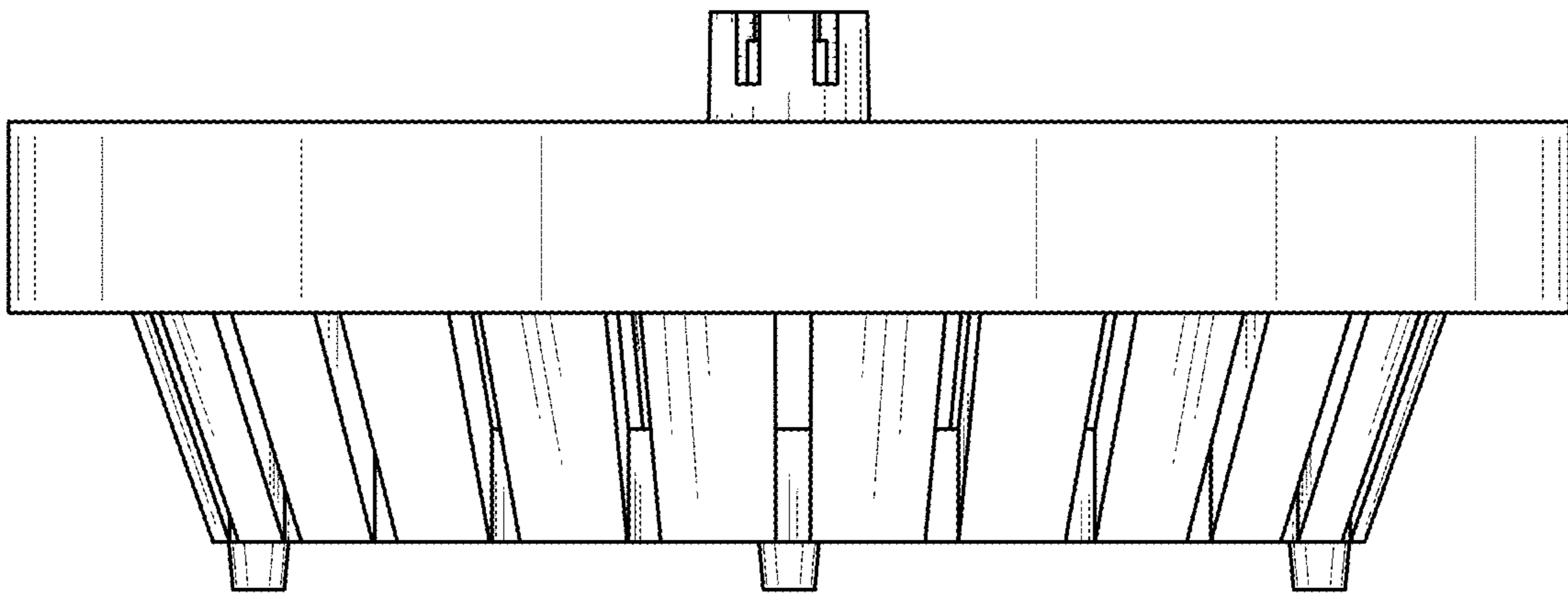


FIG. 6

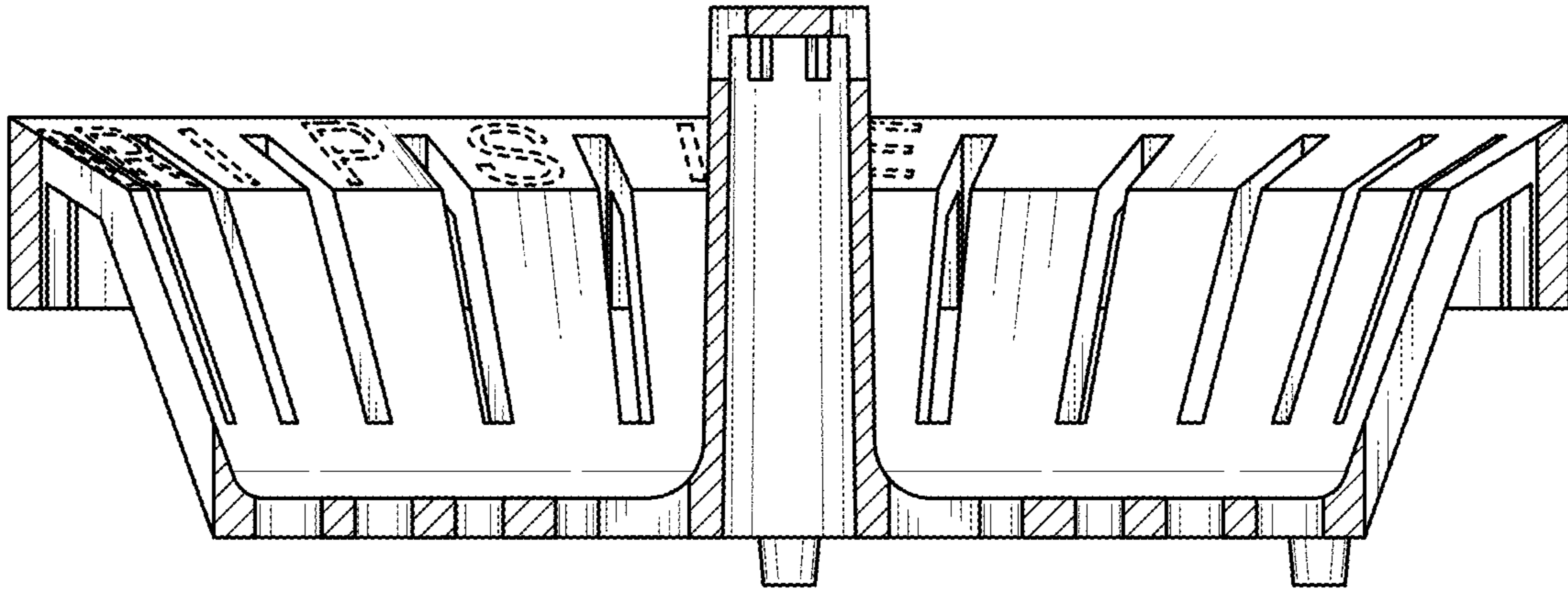


FIG. 7

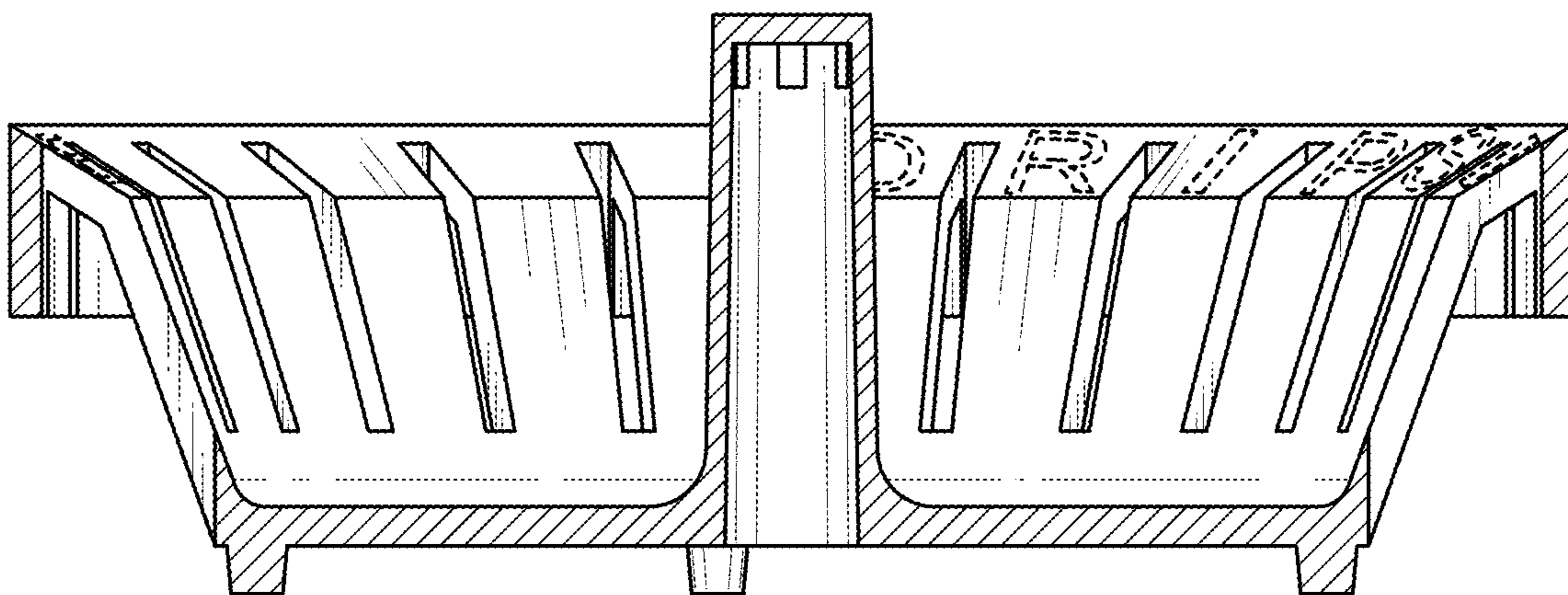


FIG. 8