



US00D967348S

(12) **United States Design Patent** (10) **Patent No.:** **US D967,348 S**  
**Liao** (45) **Date of Patent:** **\*\* Oct. 18, 2022**

(54) **FAUCET SPOUT**

(71) Applicant: **DELTA FAUCET COMPANY**,  
Indianapolis, IN (US)  
(72) Inventor: **Song Qing Liao**, Guangzhou (CN)  
(73) Assignee: **DELTA FAUCET COMPANY**,  
Indianapolis, IN (US)  
(\*\*) Term: **15 Years**  
(21) Appl. No.: **29/776,507**  
(22) Filed: **Mar. 30, 2021**  
(51) **LOC (13) Cl.** ..... **23-01**  
(52) **U.S. Cl.**  
USPC ..... **D23/255**  
(58) **Field of Classification Search**  
USPC ..... D23/238–244, 252, 254–255, 257, 499;  
D7/398  
CPC .... F16K 31/602; F16K 31/605; F16K 31/607;  
E03C 1/0412  
See application file for complete search history.

(56) **References Cited**

**U.S. PATENT DOCUMENTS**

D487,924 S \* 3/2004 Lin ..... D23/255  
D490,879 S \* 6/2004 Lin ..... D23/255  
D510,415 S \* 10/2005 Graves ..... D23/255  
D511,813 S \* 11/2005 Ouyoung ..... D23/255  
D881,353 S \* 4/2020 Lazarini ..... D23/255  
D900,978 S \* 11/2020 Eads ..... D23/255  
D954,913 S \* 6/2022 Upadhyaya ..... D23/255

**FOREIGN PATENT DOCUMENTS**

CA 183732 \* 10/2019  
CA 200751 \* 5/2022

**OTHER PUBLICATIONS**

Kohler R21546-4D-CP Aderlee Bathroom Sink Faucet, announced Aug. 26, 2020[online], [site visited Jun. 9, 2022]. Available from internet, URL:< https://www.amazon.com/Kohler-R21546-4D-CP-Aderlee-Bathroom-Faucet/dp/B07TQJHXJ8> (Year: 2020).\*  
Pfister LF-048-LRBB Ladera 4 in. Centerset 2-Handle Bathroom Faucet, announced Jul. 23, 2018[online], [site visited Jun. 9, 2022]. Available from internet, URL:< https://www.amazon.com/Pfister-LF-048-LRBB-Centerset-2-Handle-Bathroom/dp/B07FNT7S8P> (Year: 2018).\*

\* cited by examiner

*Primary Examiner* — David G Muller  
*Assistant Examiner* — Jamaal Rasheed  
(74) *Attorney, Agent, or Firm* — Nirav D. Parikh; Jeffrey L. Doyle

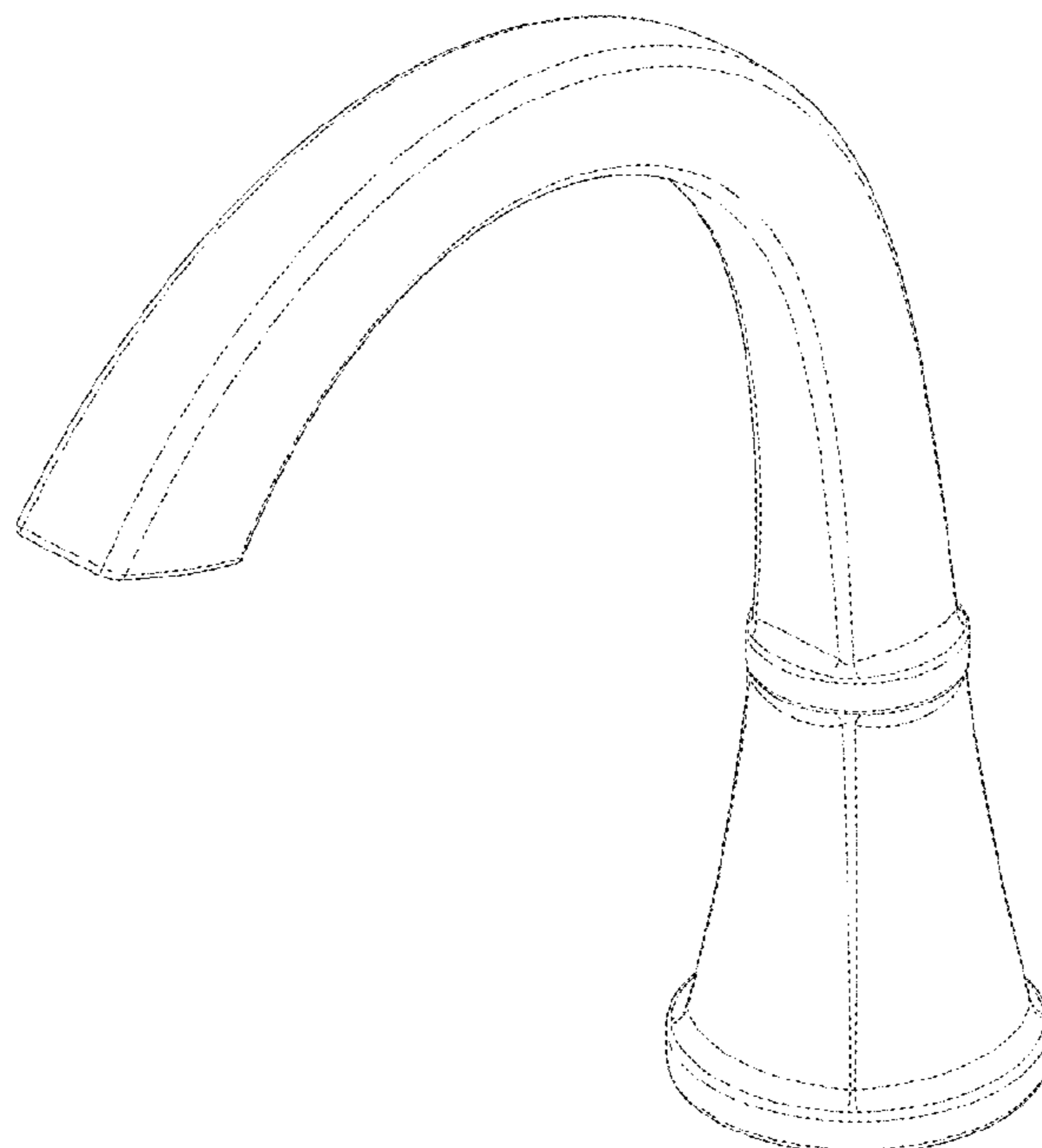
(57) **CLAIM**

The ornamental design for a faucet spout, as shown and described.

**DESCRIPTION**

FIG. 1 is a front perspective view of a faucet spout showing my new design;  
FIG. 2 is another perspective view thereof;  
FIG. 3 is a front elevational view thereof;  
FIG. 4 is a left side view thereof;  
FIG. 5 is a rear view thereof;  
FIG. 6 is a right side view thereof;  
FIG. 7 is a top plan view thereof; and,  
FIG. 8 is a bottom view thereof.

**1 Claim, 4 Drawing Sheets**



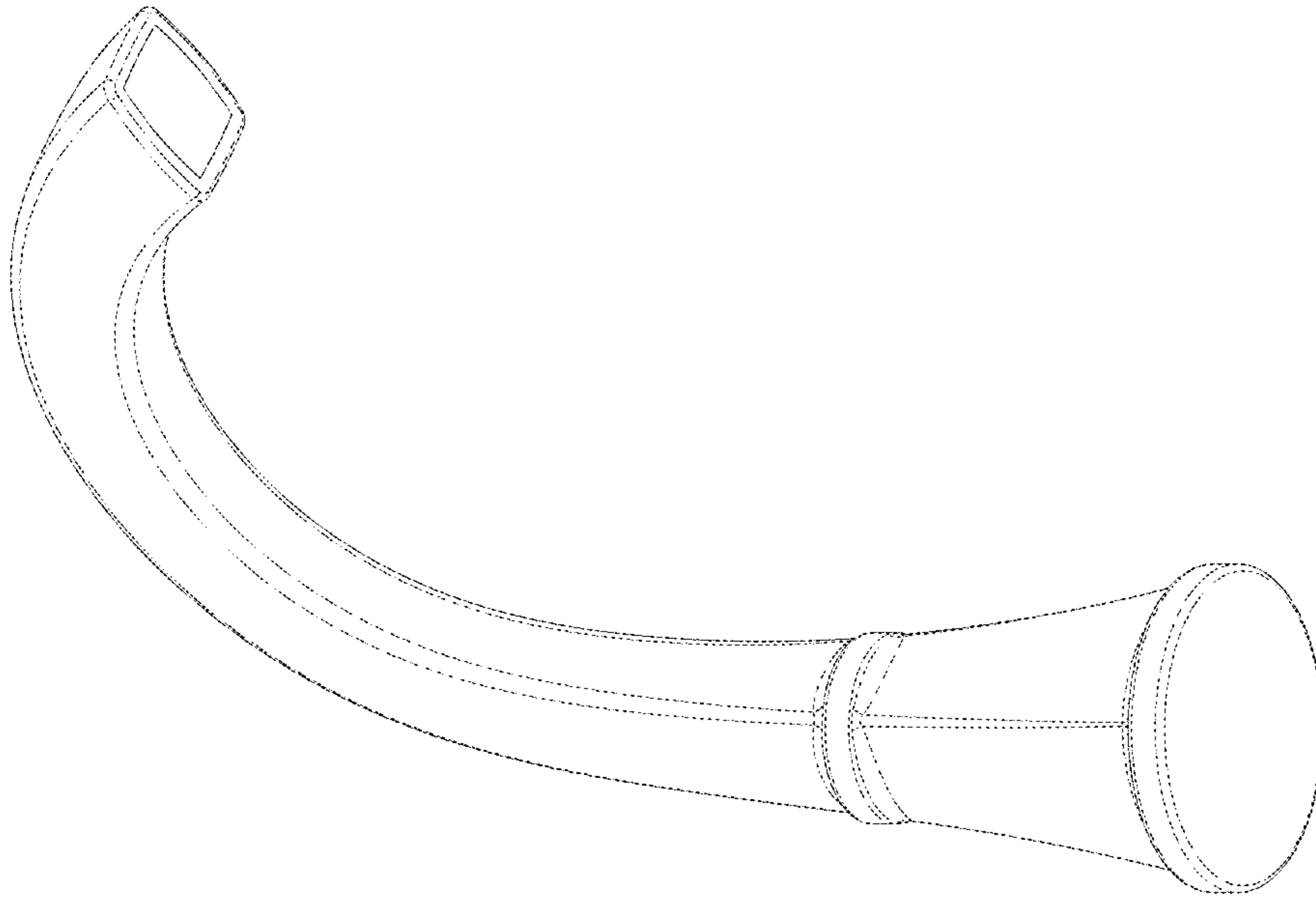


FIG - 2

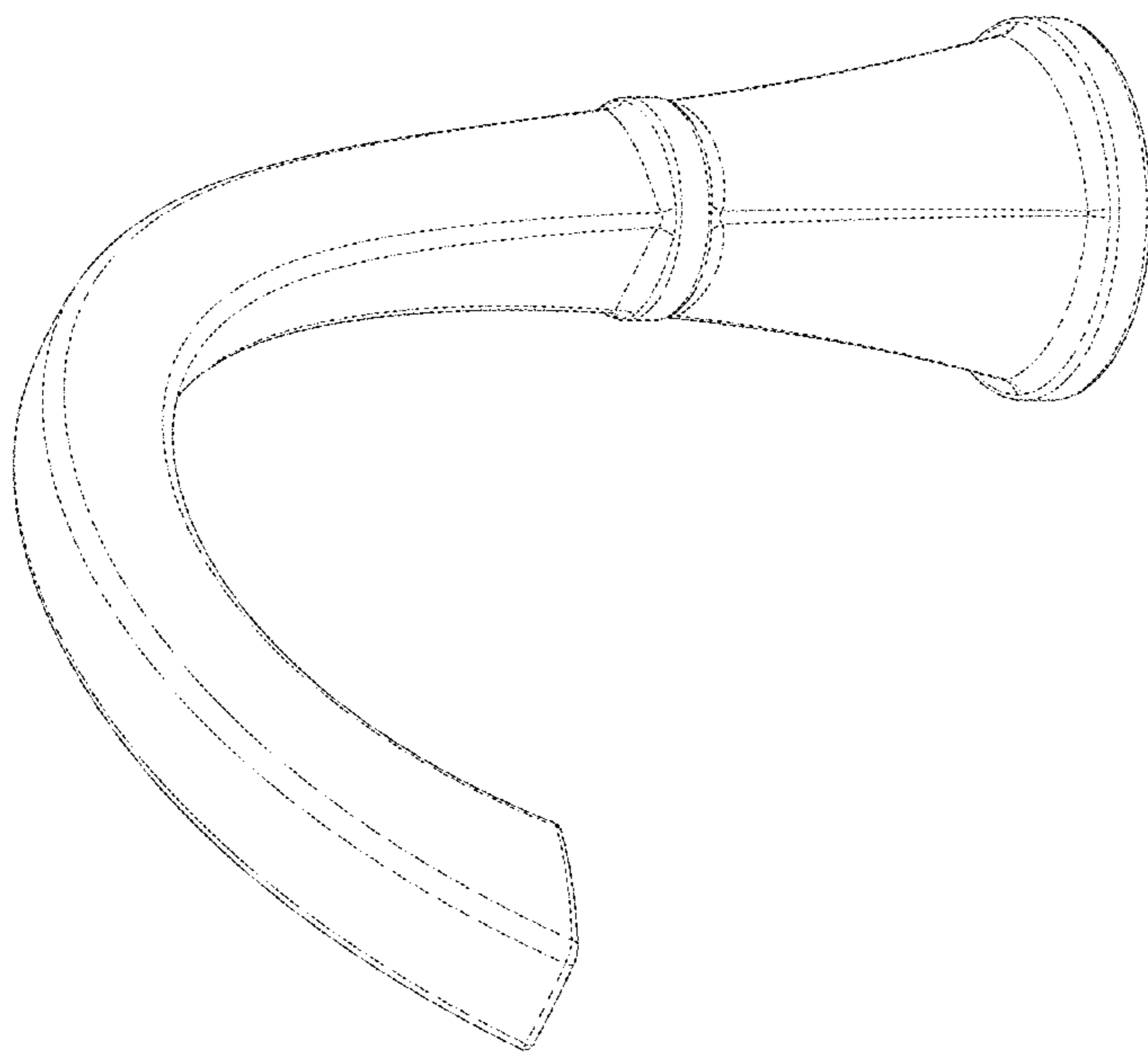


FIG - 1

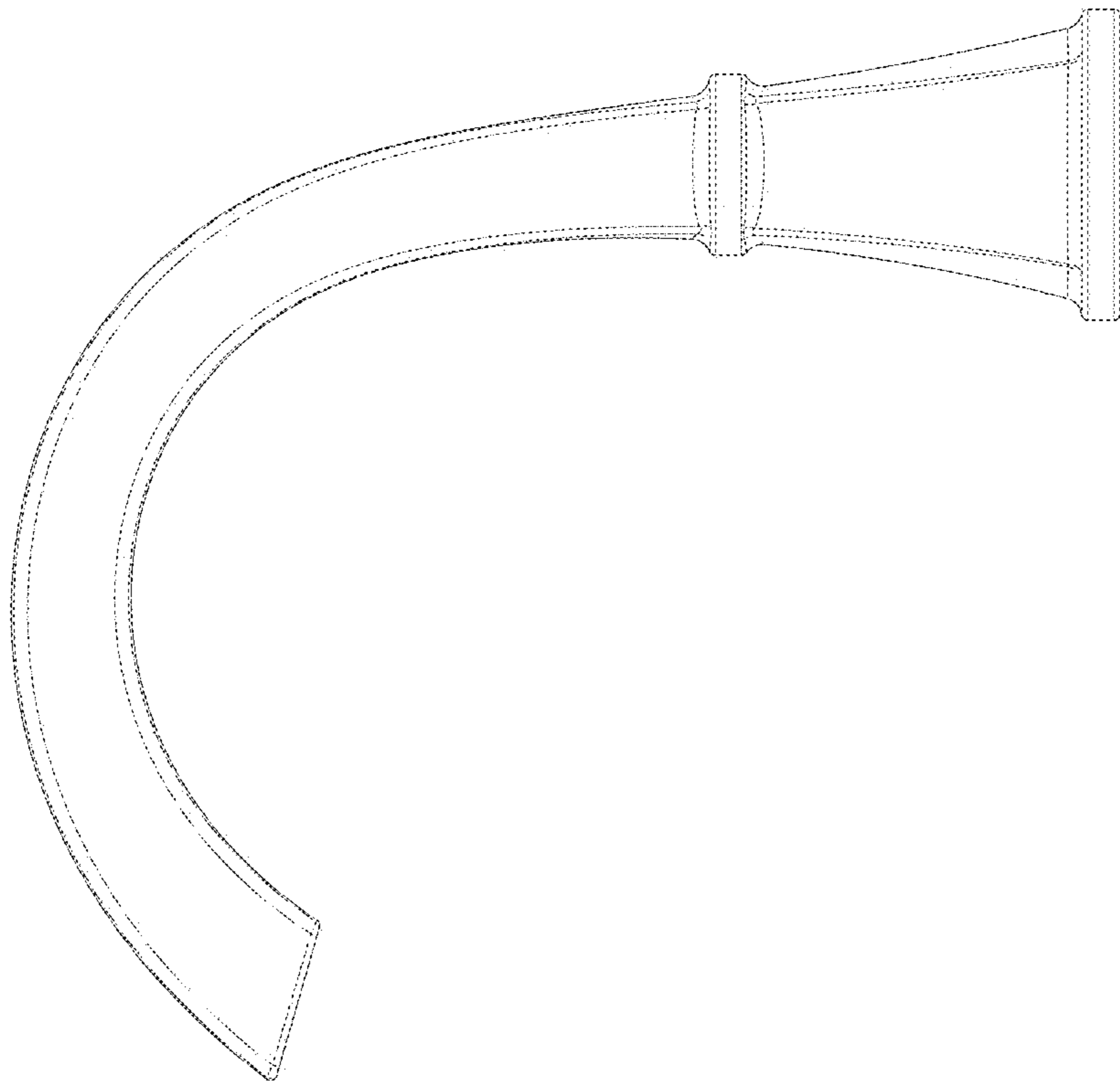


FIG - 4

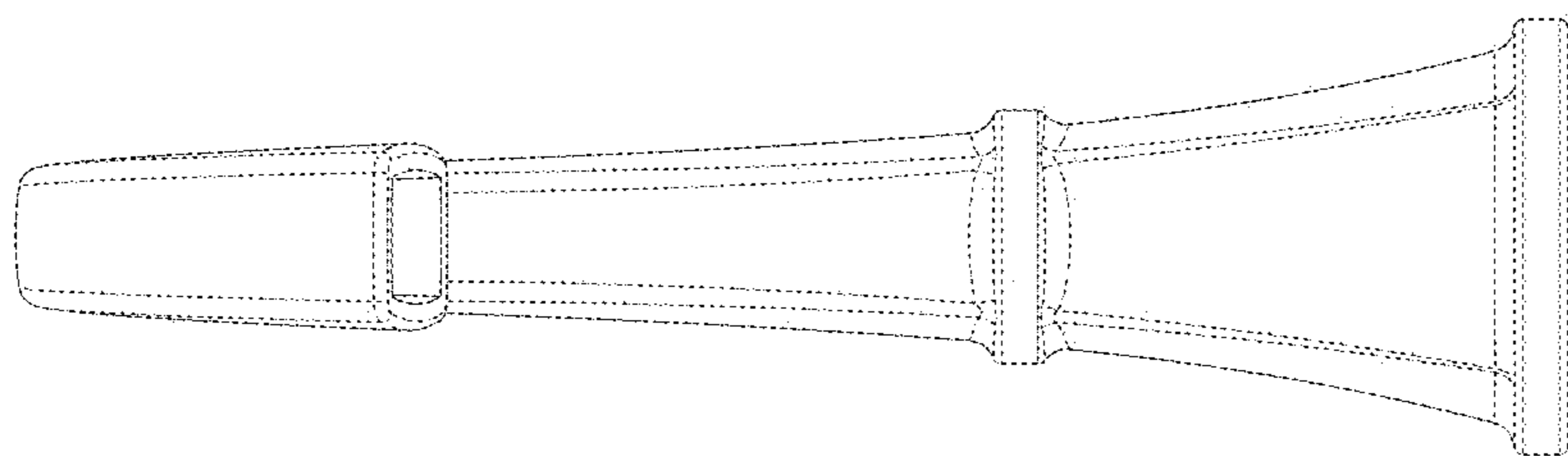


FIG - 3

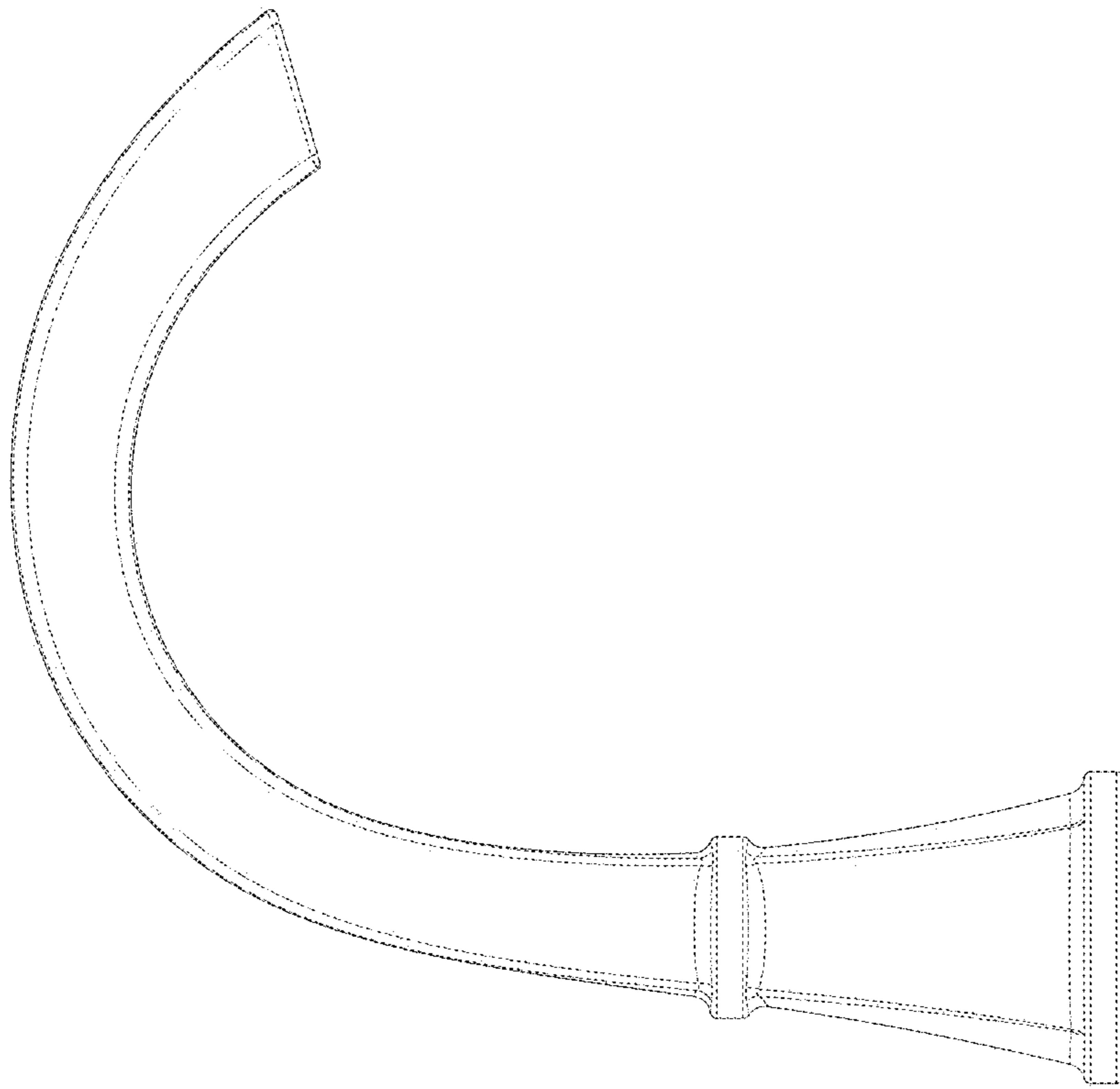


FIG - 6

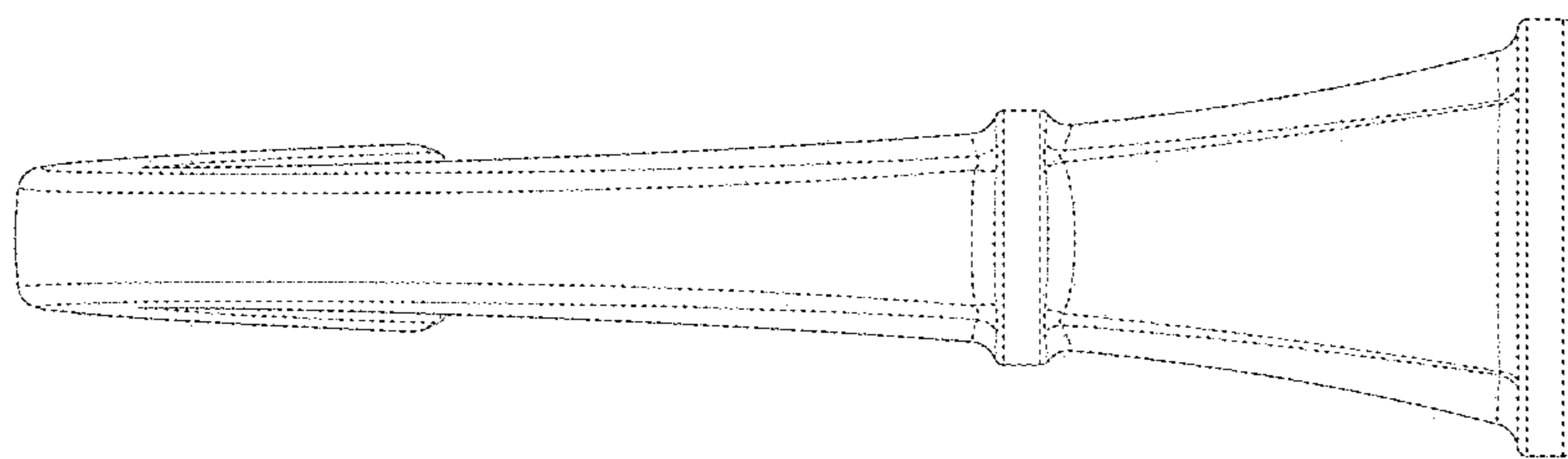


FIG - 5

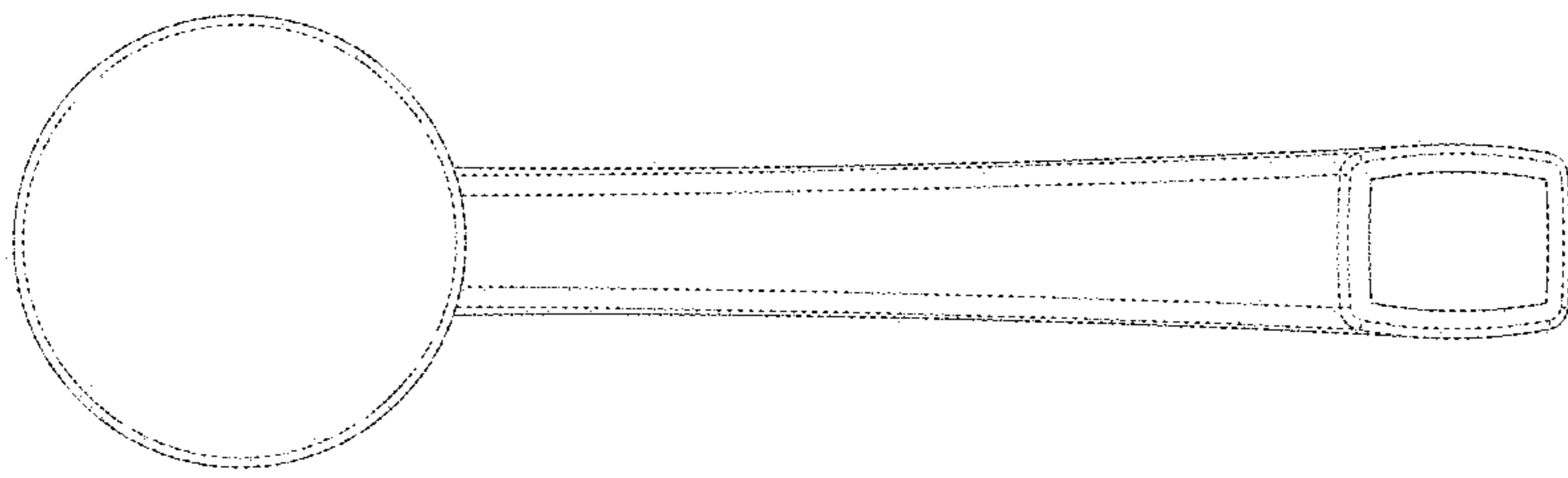


FIG - 8

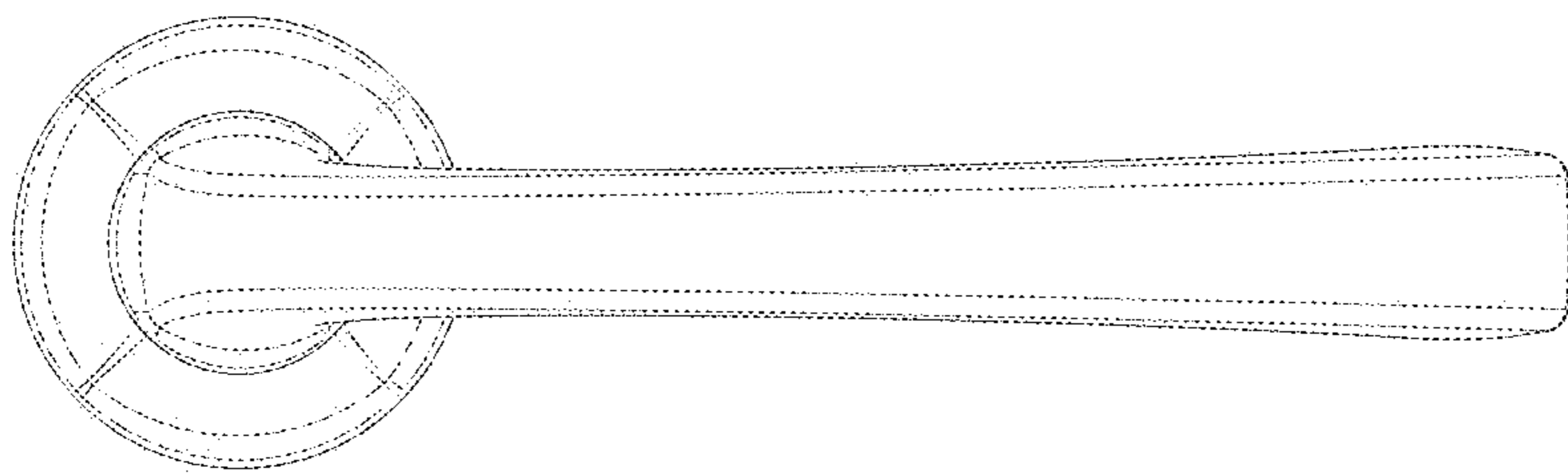


FIG - 7