

US00D967347S

(12) **United States Design Patent** (10) **Patent No.:** **US D967,347 S**
Garland (45) **Date of Patent:** **** Oct. 18, 2022**

(54) **FAUCET BODY**

FOREIGN PATENT DOCUMENTS

(71) Applicant: **DELTA FAUCET COMPANY,**
Indianapolis, IN (US)

CN 304500224 * 2/2018
CN 305576332 * 1/2020

(72) Inventor: **Celine Kwok Garland,** Zionsville, IN
(US)

OTHER PUBLICATIONS

(73) Assignee: **DELTA FAUCET COMPANY,**
Indianapolis, IN (US)

Kohler 72763-9M-SN Artifacts Bathroom Sink Faucet, announced Jun. 5, 2018[online], [site visited Jun. 15, 2022]. Available from internet, URL:<https://www.amazon.com/Kohler-K-72763-9M-Artifacts-Gentlemans-Bathroom/dp/B076MGBTF5> (Year: 2018).
Kohler K-72760-CP Artifacts Bathroom sink spout, announced Oct. 4, 2013[online], [site visited Oct. 4, 2013]. Available from internet, URL:<https://www.amazon.com/K-72760-CP-Artifacts-Bathroom-Handles-Polished/dp/B00FOMI8W6?th=1> (Year: 2013).*

(**) Term: **15 Years**

(21) Appl. No.: **29/773,741**

* cited by examiner

(22) Filed: **Mar. 11, 2021**

(51) **LOC (13) Cl.** **23-01**

Primary Examiner — David G Muller

(52) **U.S. Cl.**

Assistant Examiner — Jamaal Rasheed

USPC **D23/255**

(74) *Attorney, Agent, or Firm* — Nirav D. Parikh; Jeffrey L. Doyle

(58) **Field of Classification Search**

USPC D23/238–244, 252, 254–255, 257, 499;
D7/398

(57) **CLAIM**

CPC F16K 31/602; F16K 31/605; F16K 31/607;
E03C 1/0412

The ornamental design for a faucet body, as shown and described.

See application file for complete search history.

DESCRIPTION

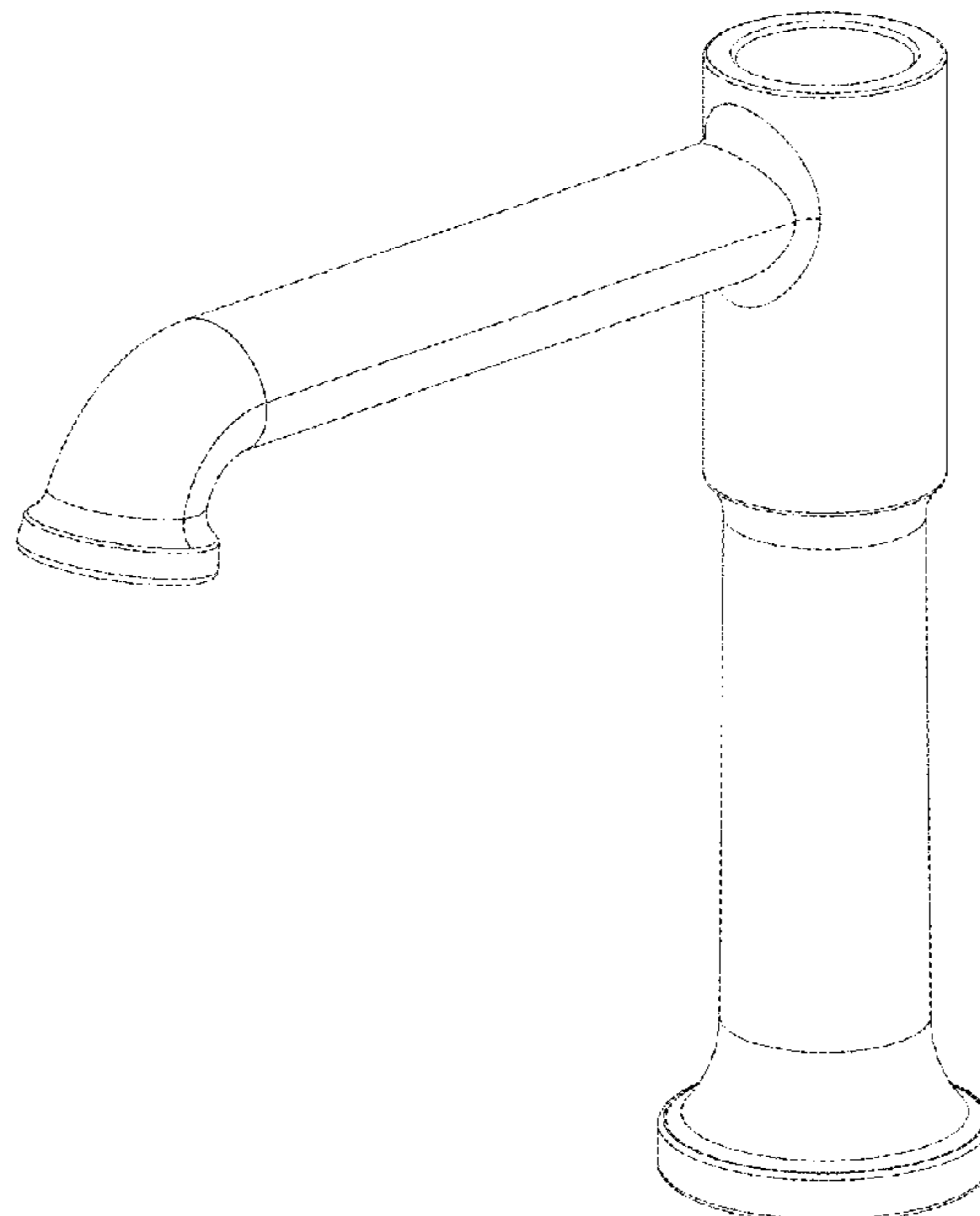
(56) **References Cited**

FIG. 1 is a front perspective view of a faucet body showing my new design;
FIG. 2 is a rear perspective view thereof;
FIG. 3 is a front elevational view thereof;
FIG. 4 is a left side view thereof;
FIG. 5 is a right side view thereof;
FIG. 6 is a rear view thereof;
FIG. 7 is a top plan view thereof; and,
FIG. 8 is a bottom view thereof.

U.S. PATENT DOCUMENTS

D407,260 S * 3/1999 Martindale D7/398
D579,748 S * 11/2008 Schneider D8/308
D652,899 S * 1/2012 Citterio D23/255
D902,357 S * 11/2020 Eads D23/255
D913,452 S * 3/2021 Zhu D23/255
D919,768 S * 5/2021 Garland D23/255
D931,419 S * 9/2021 Kulig D23/242
D949,293 S * 4/2022 Lamis D23/255

1 Claim, 4 Drawing Sheets



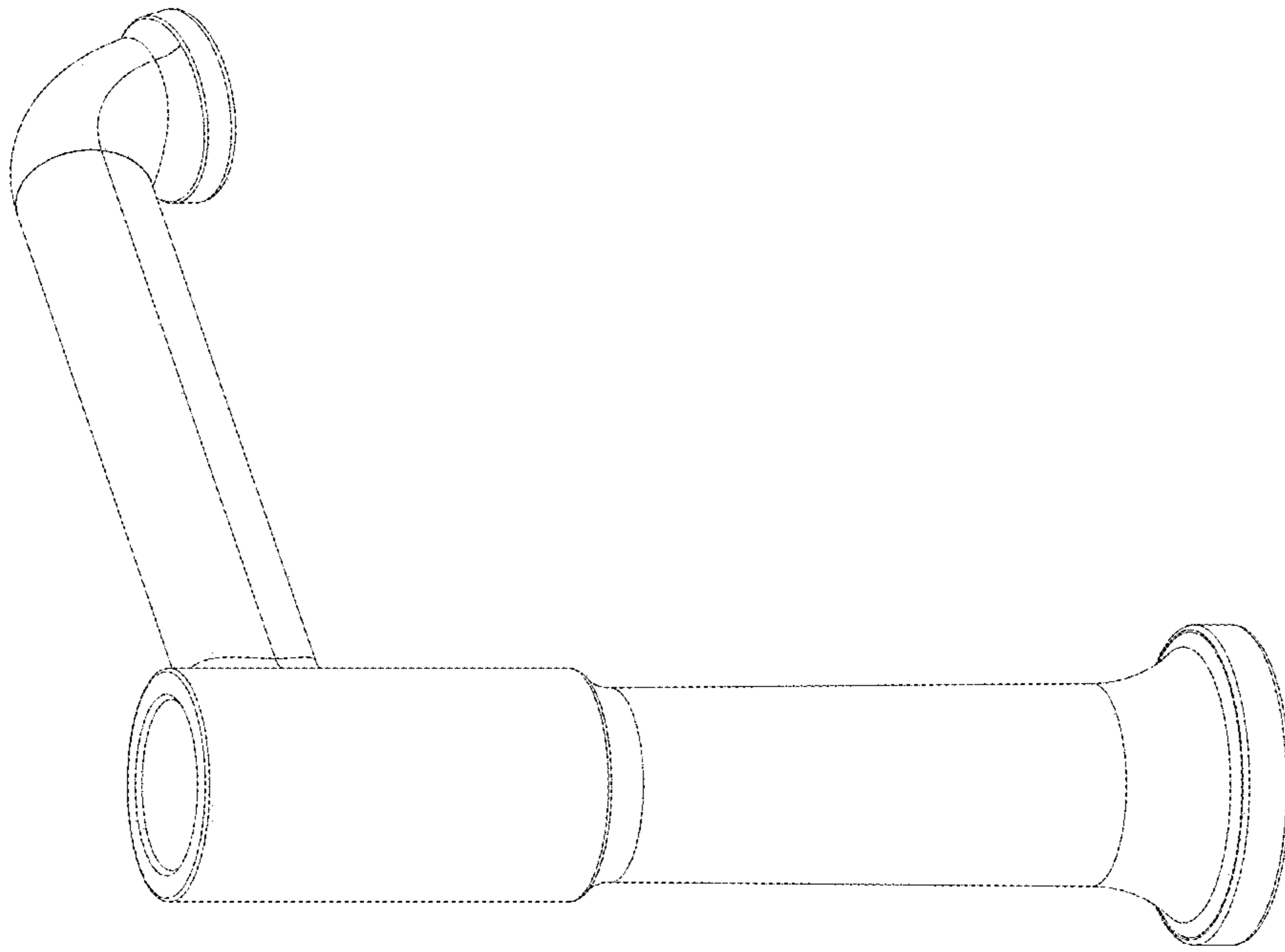


FIG - 2

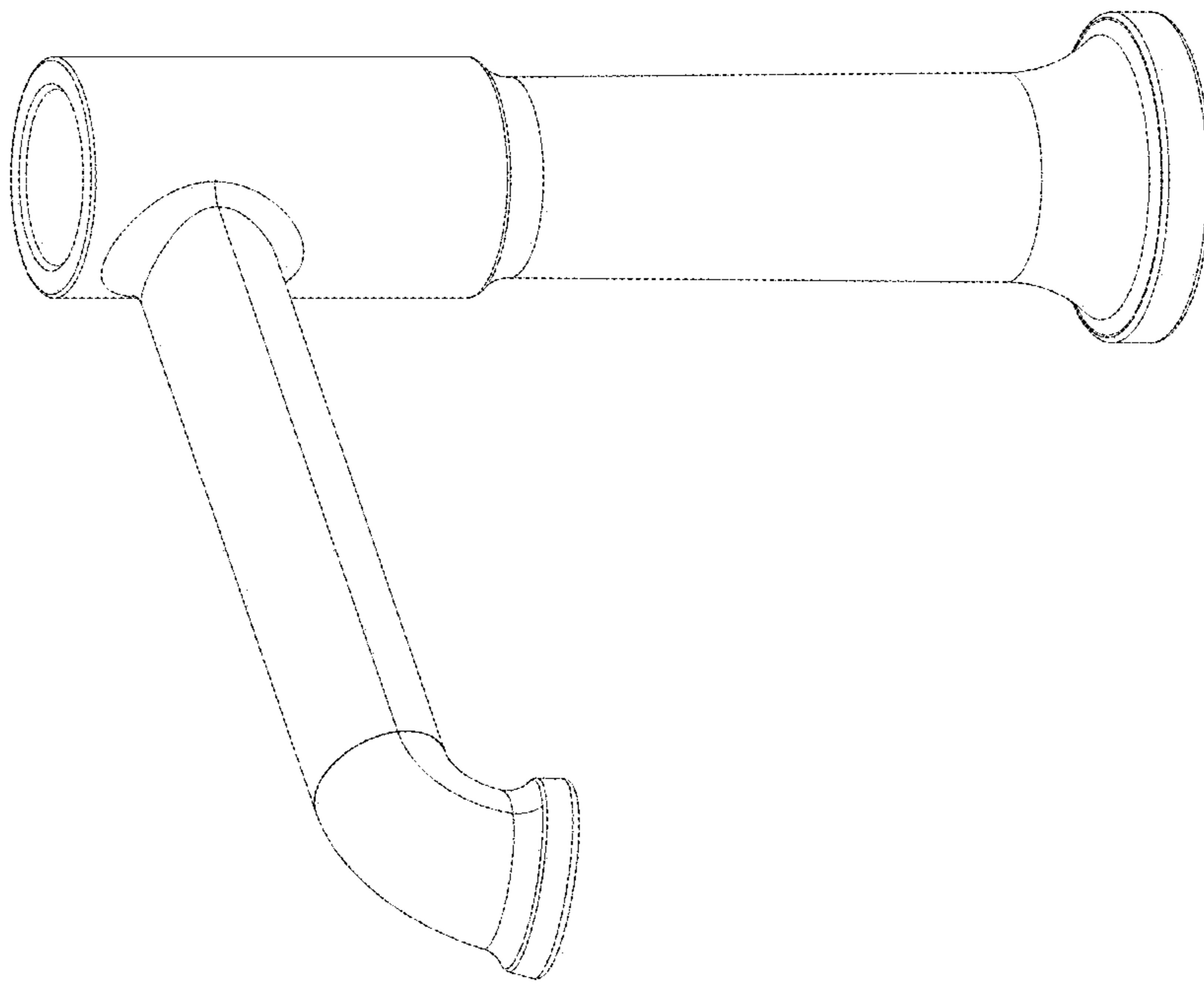


FIG - 1

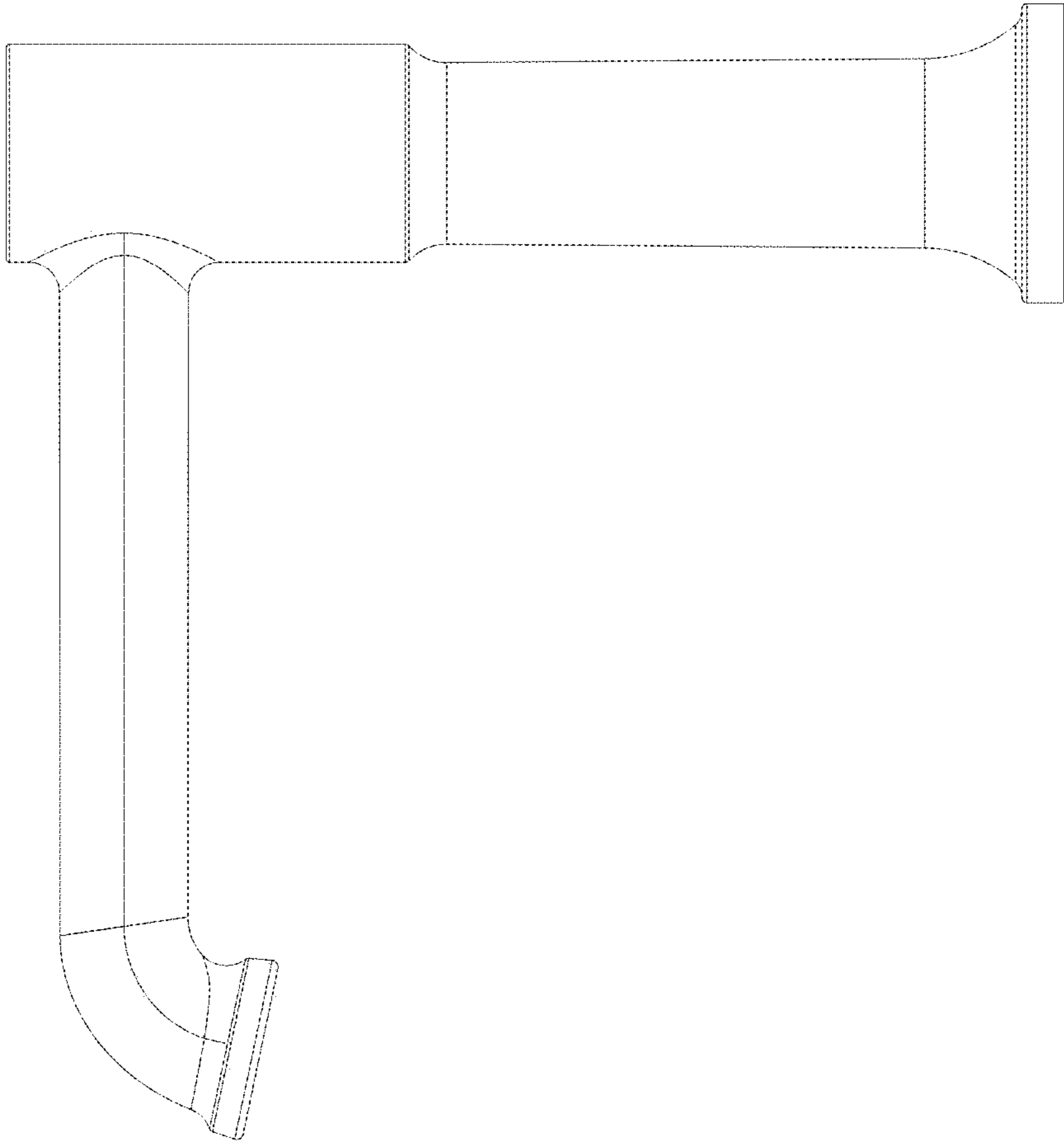


FIG - 4

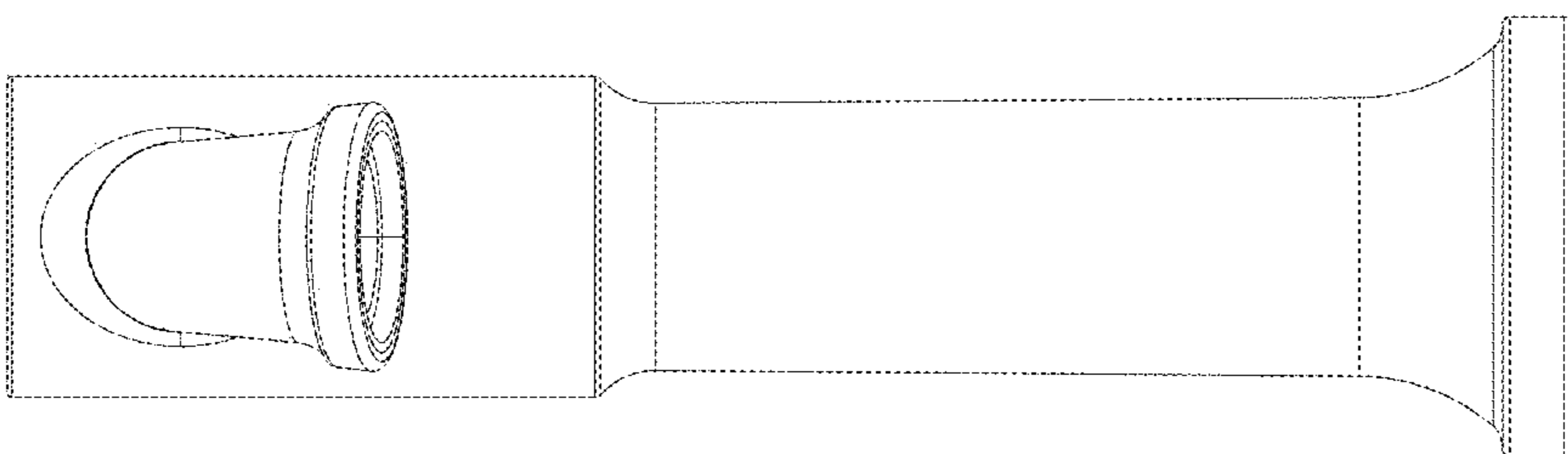


FIG - 3

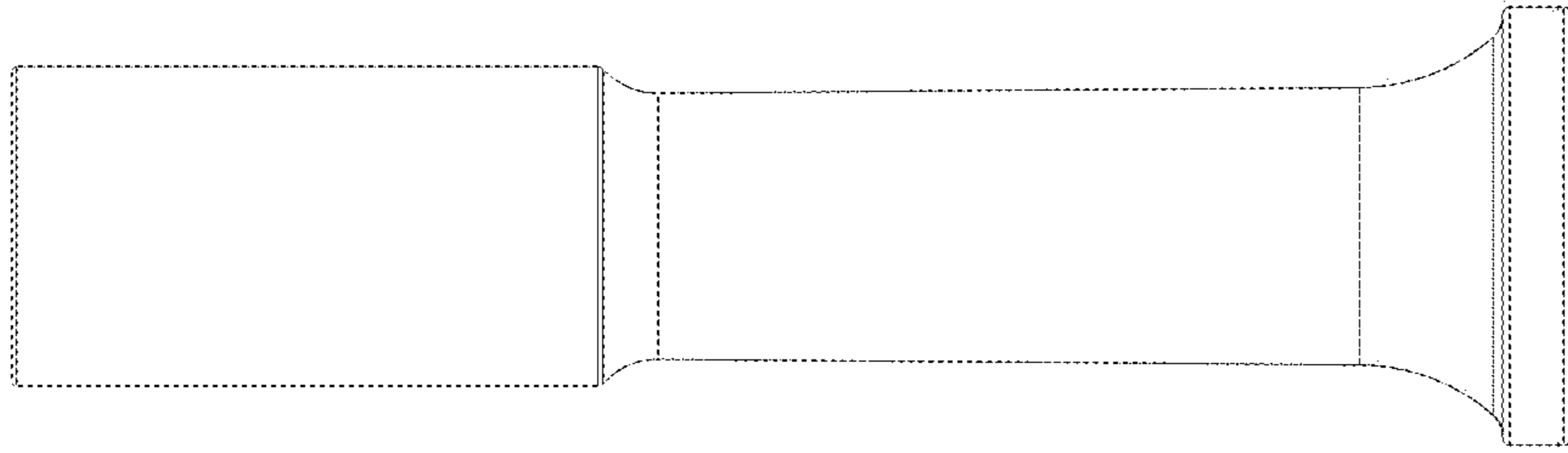


FIG - 6

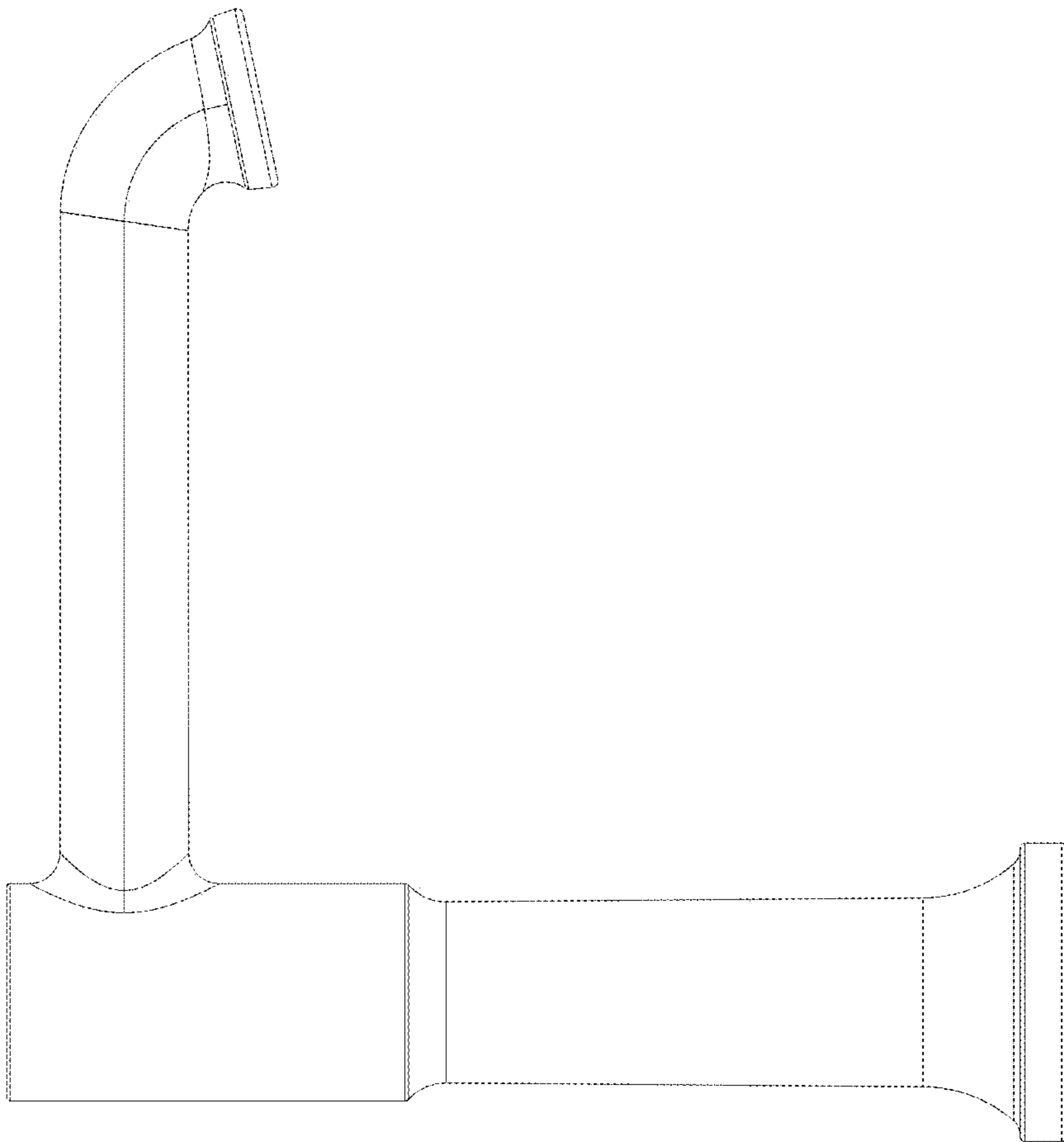


FIG - 5

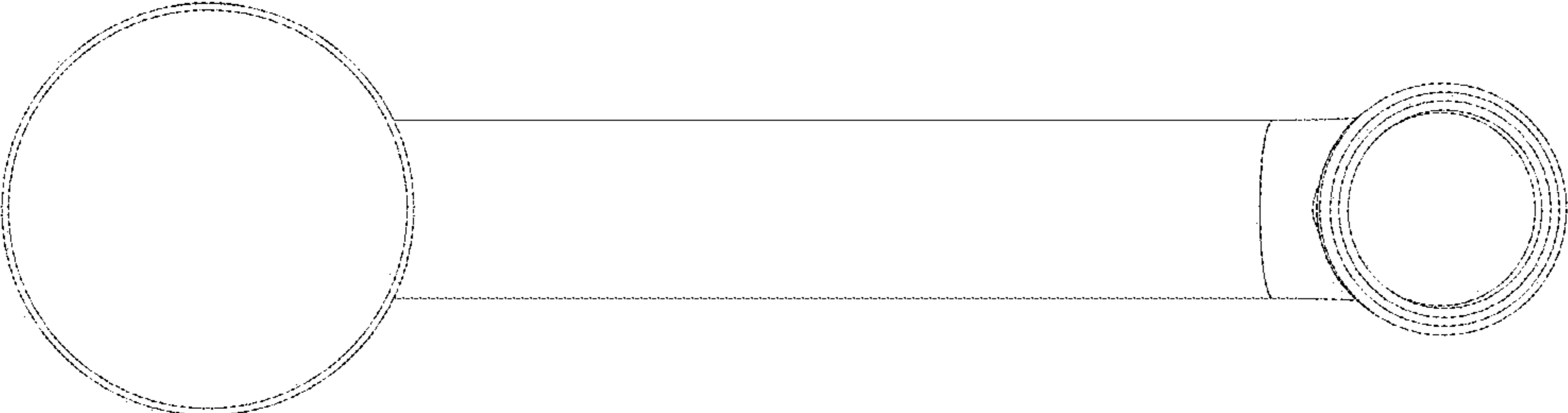


FIG - 8



FIG - 7