

US00D967346S

(12) **United States Design Patent**
Williams

(10) **Patent No.:** **US D967,346 S**
(45) **Date of Patent:** **** Oct. 18, 2022**

(54) **HANDLE**

(71) Applicant: **AS America, Inc.**, Piscataway, NJ (US)

(72) Inventor: **Emilie Williams**, New York, NY (US)

(73) Assignee: **AS America, Inc.**, Piscataway, NJ (US)

(**) Term: **15 Years**

(21) Appl. No.: **29/768,458**

(22) Filed: **Jan. 29, 2021**

(51) **LOC (13) Cl.** **23-01**

(52) **U.S. Cl.**
USPC **D23/253**

(58) **Field of Classification Search**
USPC D23/238–243, 249–250, 252–253;
D8/307–308

See application file for complete search history.

(56) **References Cited**

U.S. PATENT DOCUMENTS

D582,014 S	*	12/2008	Spangler	D23/253
D597,634 S	*	8/2009	Haug	D23/254
D718,423 S	*	11/2014	Rexach	D23/253
D731,029 S	*	6/2015	Fritz	D23/253
D847,307 S	*	4/2019	Lee	D23/253

* cited by examiner

Primary Examiner — Robert A Delehanty

(74) *Attorney, Agent, or Firm* — Tyler A. Stevenson;
Anna-lisa L. Gallo

(57) **CLAIM**

I claim the ornamental design for a handle, as shown and described.

DESCRIPTION

FIG. 1 is a rear, top, left side perspective view of a handle showing my new design;

FIG. 2 is a front view thereof;

FIG. 3 is a rear view thereof;

FIG. 4 is a left side view thereof;

FIG. 5 is a right side view thereof;

FIG. 6 is a top view thereof;

FIG. 7 is a bottom view thereof;

FIG. 8 is a front, bottom, right side perspective view thereof;

FIG. 9 is a rear, top, left side perspective view of a handle showing my new design;

FIG. 10 is a front view thereof;

FIG. 11 is a rear view thereof;

FIG. 12 is a left side view thereof;

FIG. 13 is a right side view thereof;

FIG. 14 is a top view thereof;

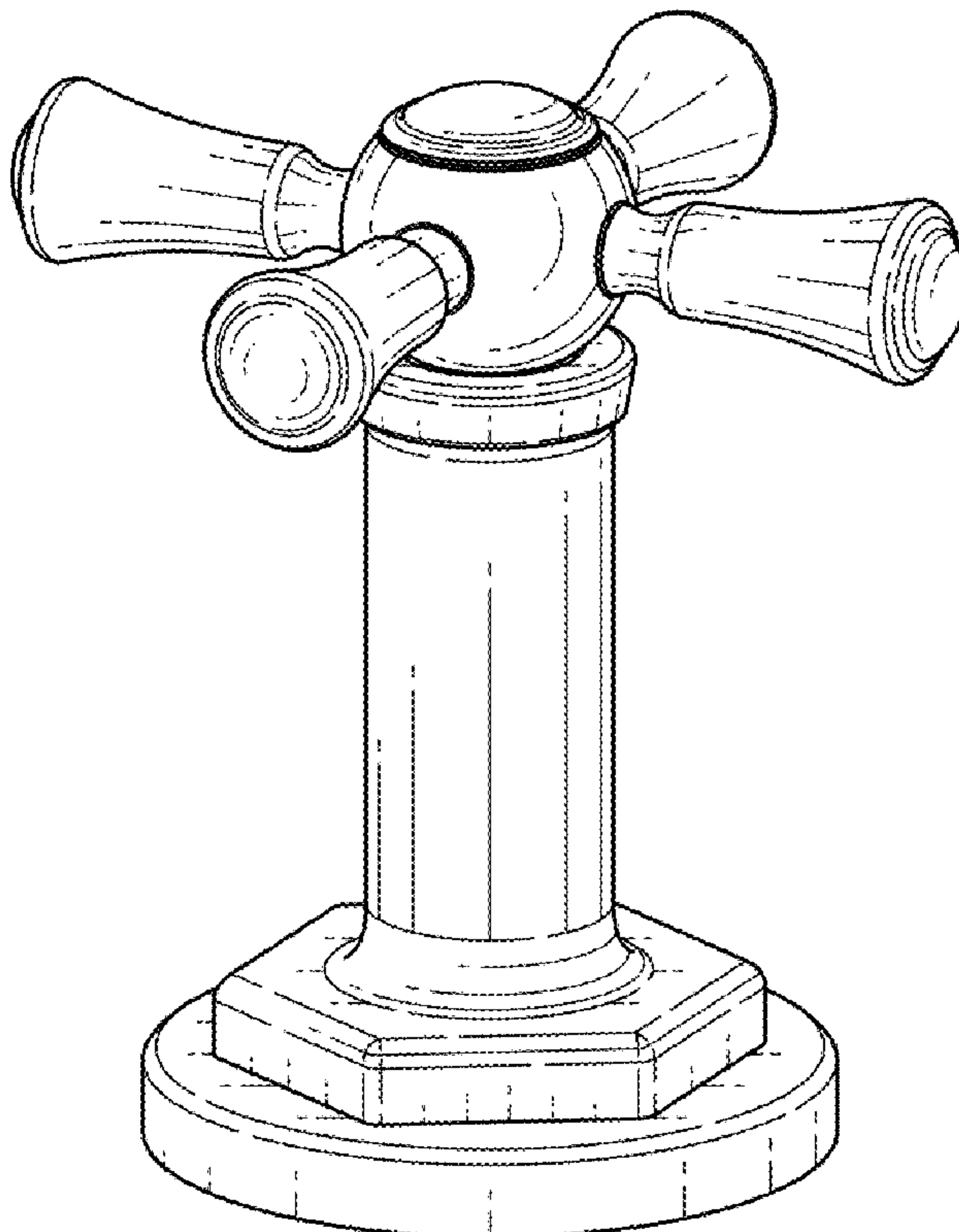
FIG. 15 is a bottom view thereof; and,

FIG. 16 is a front, bottom, right side perspective view thereof.

Broken lines of the disclosure represent portions of the handle that form no part of the claimed design.

The appearance of any portion of the article between the broken away symbols forms no part of the claimed design.

1 Claim, 10 Drawing Sheets



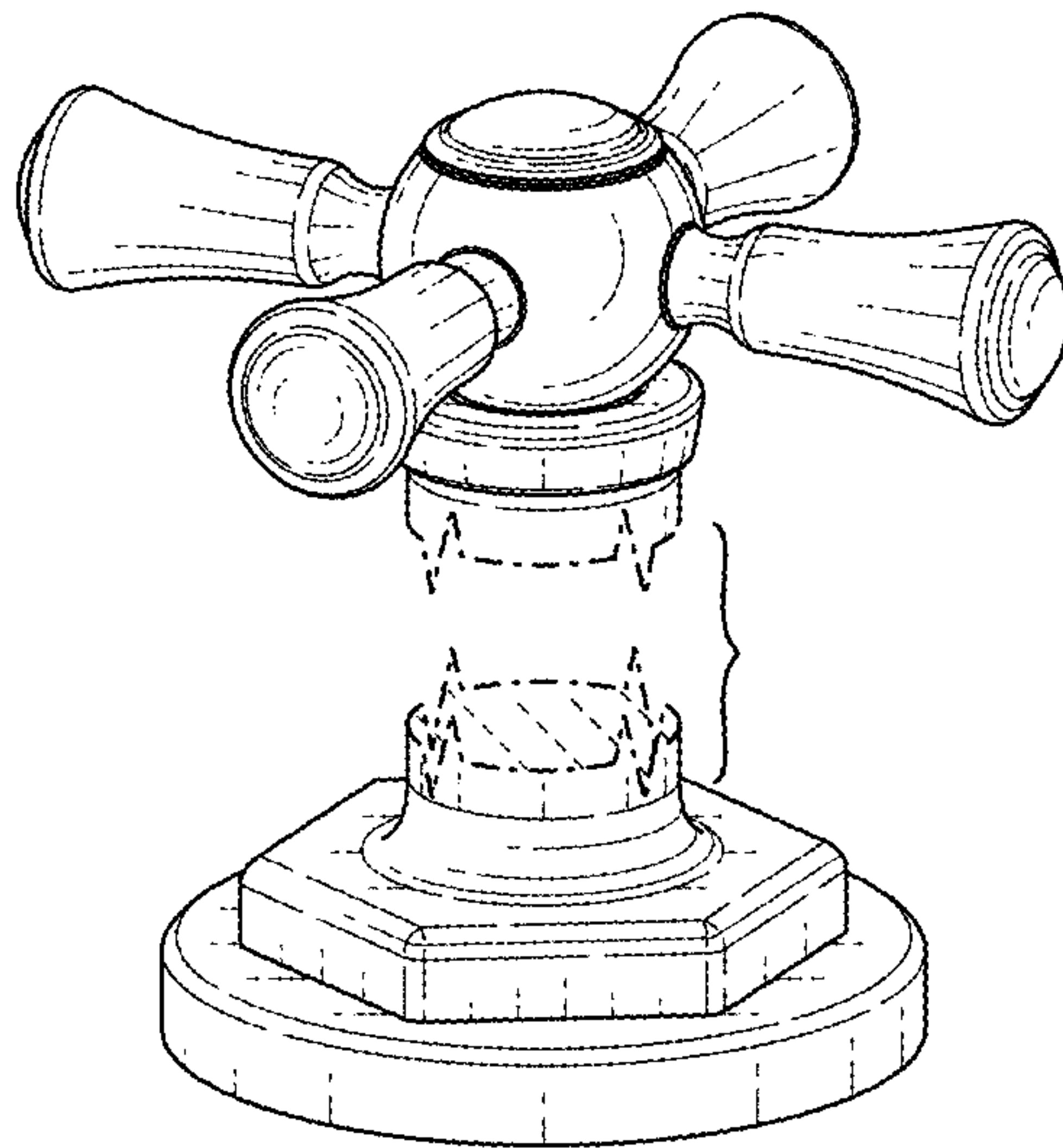


FIG. 1

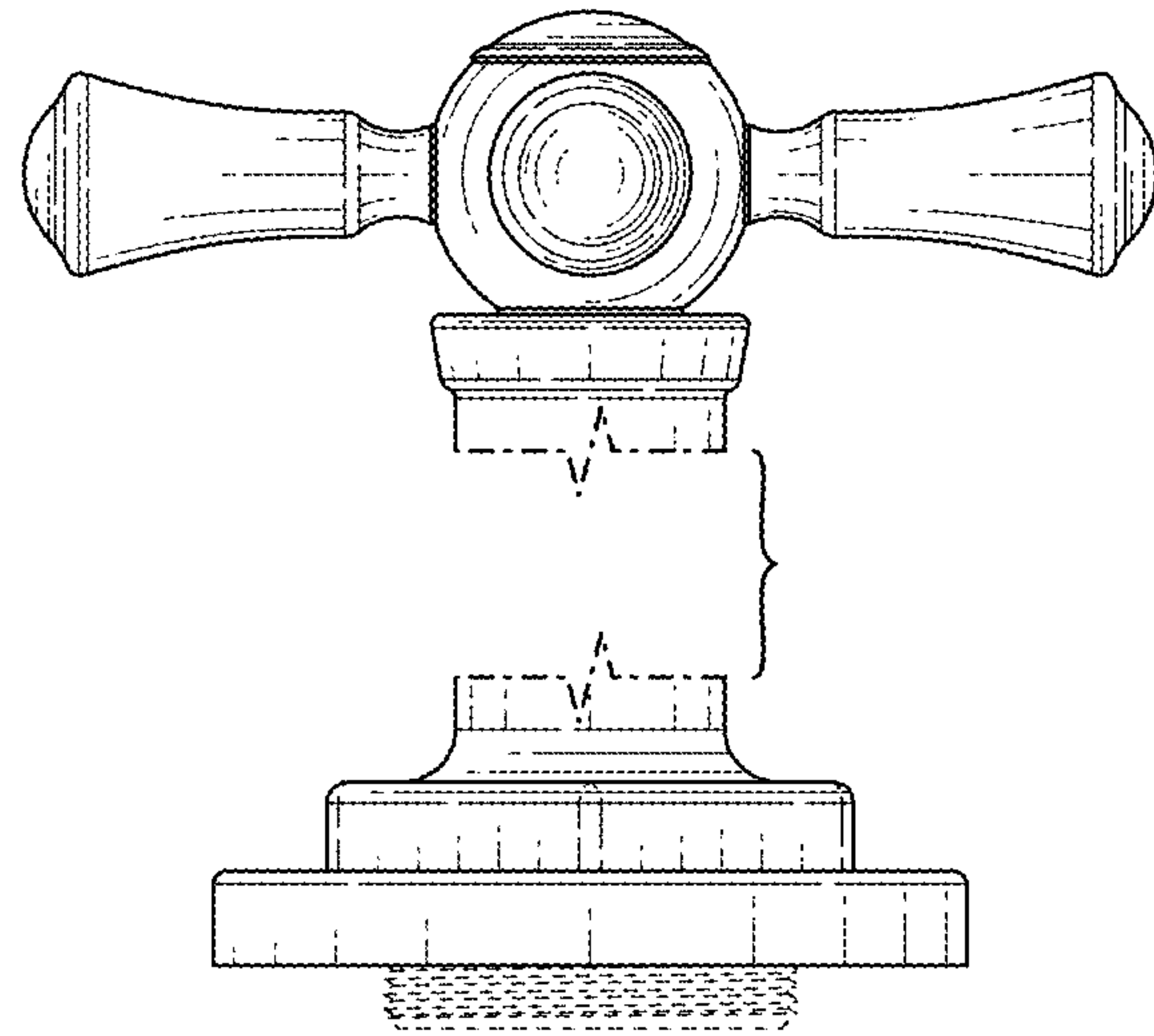


FIG. 2

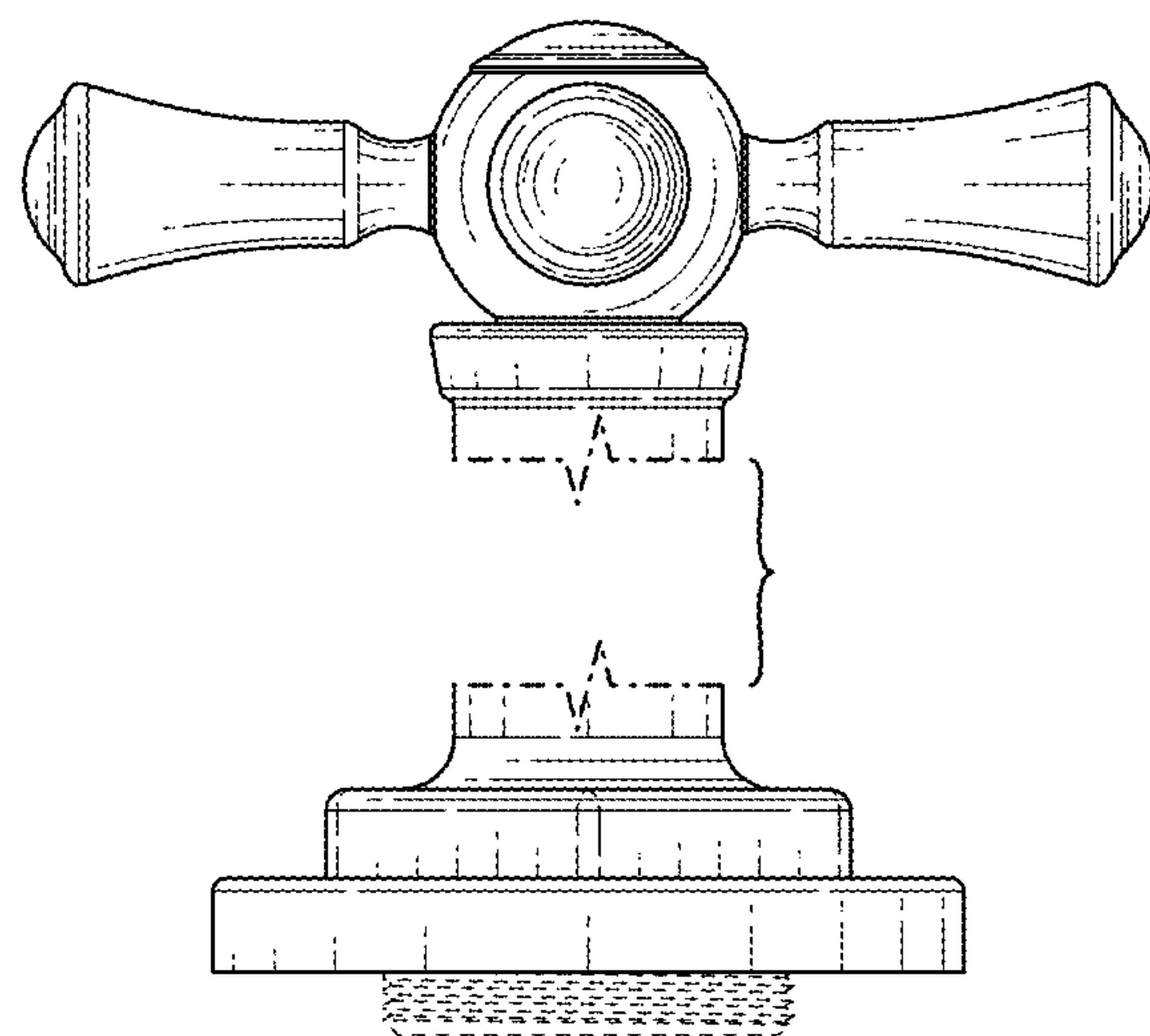


FIG. 3

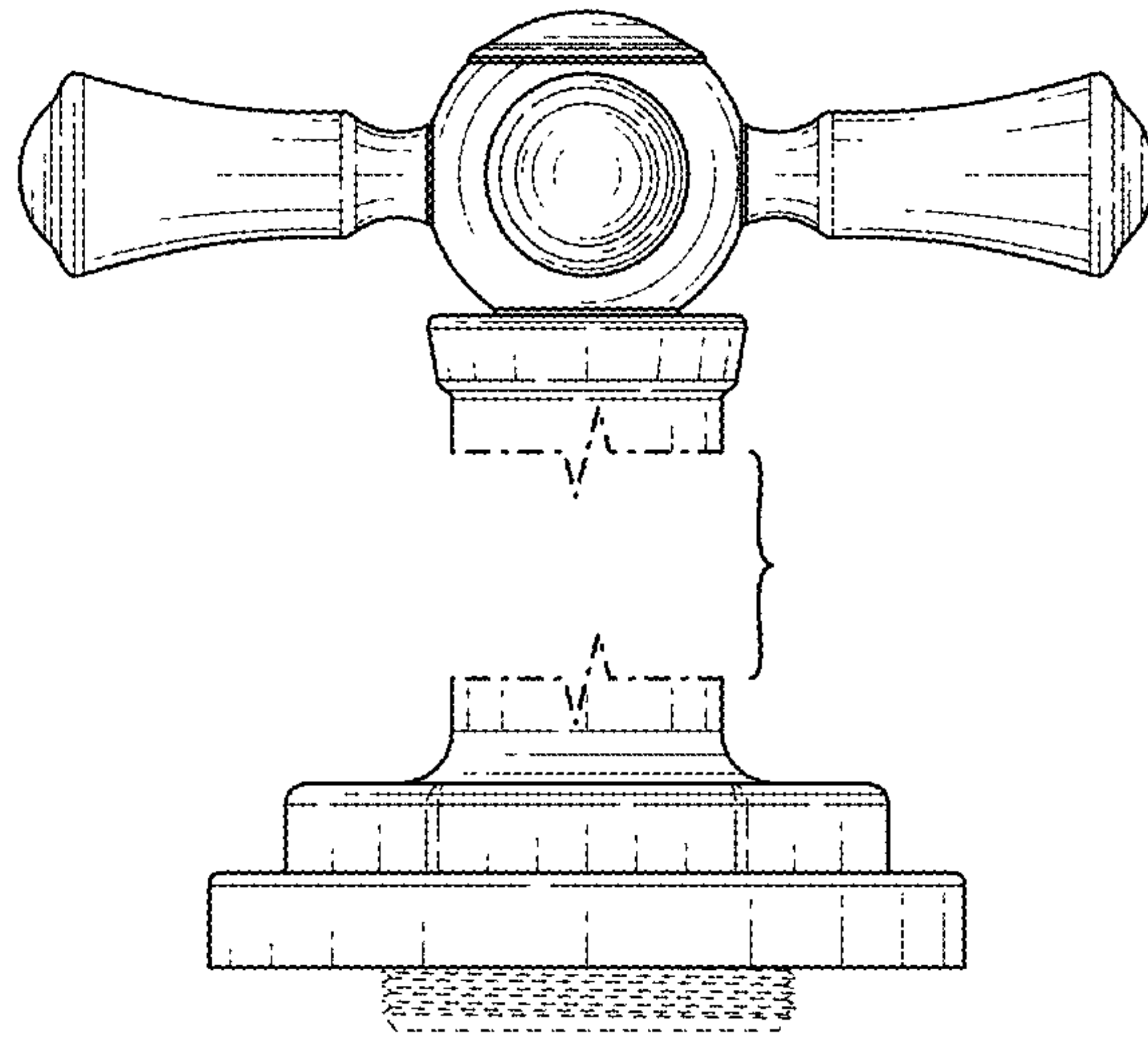


FIG. 4

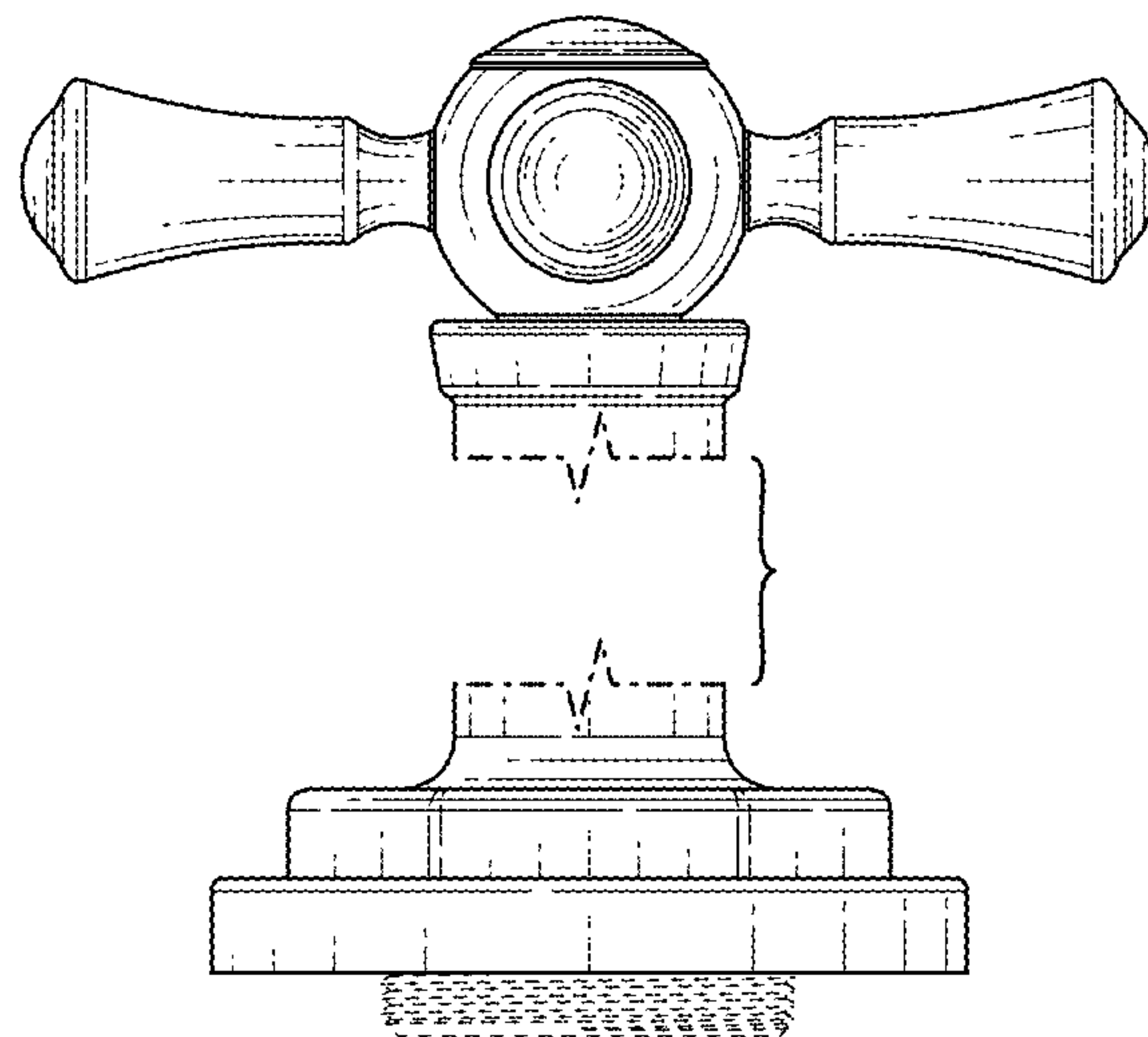


FIG. 5

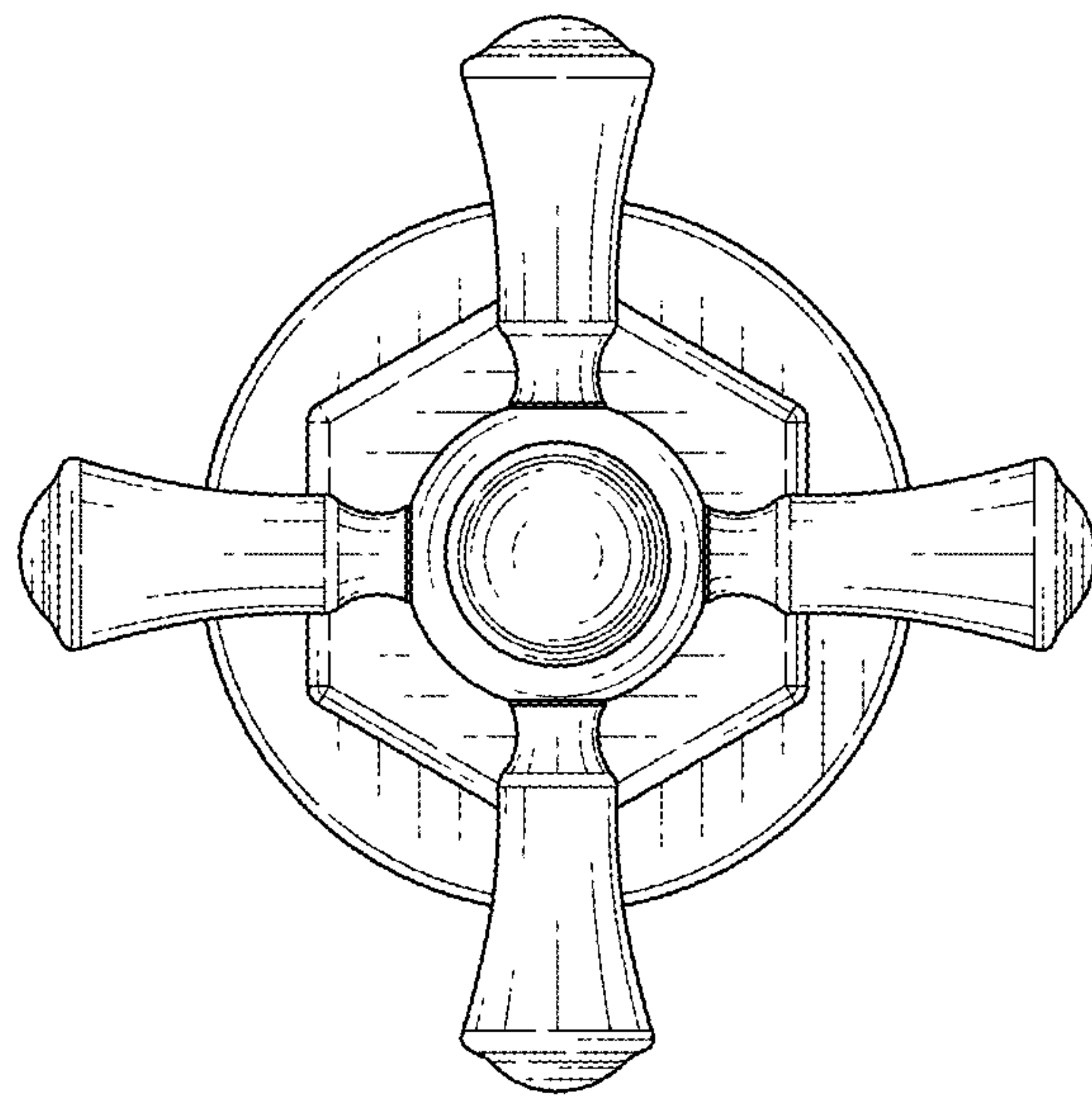


FIG. 6

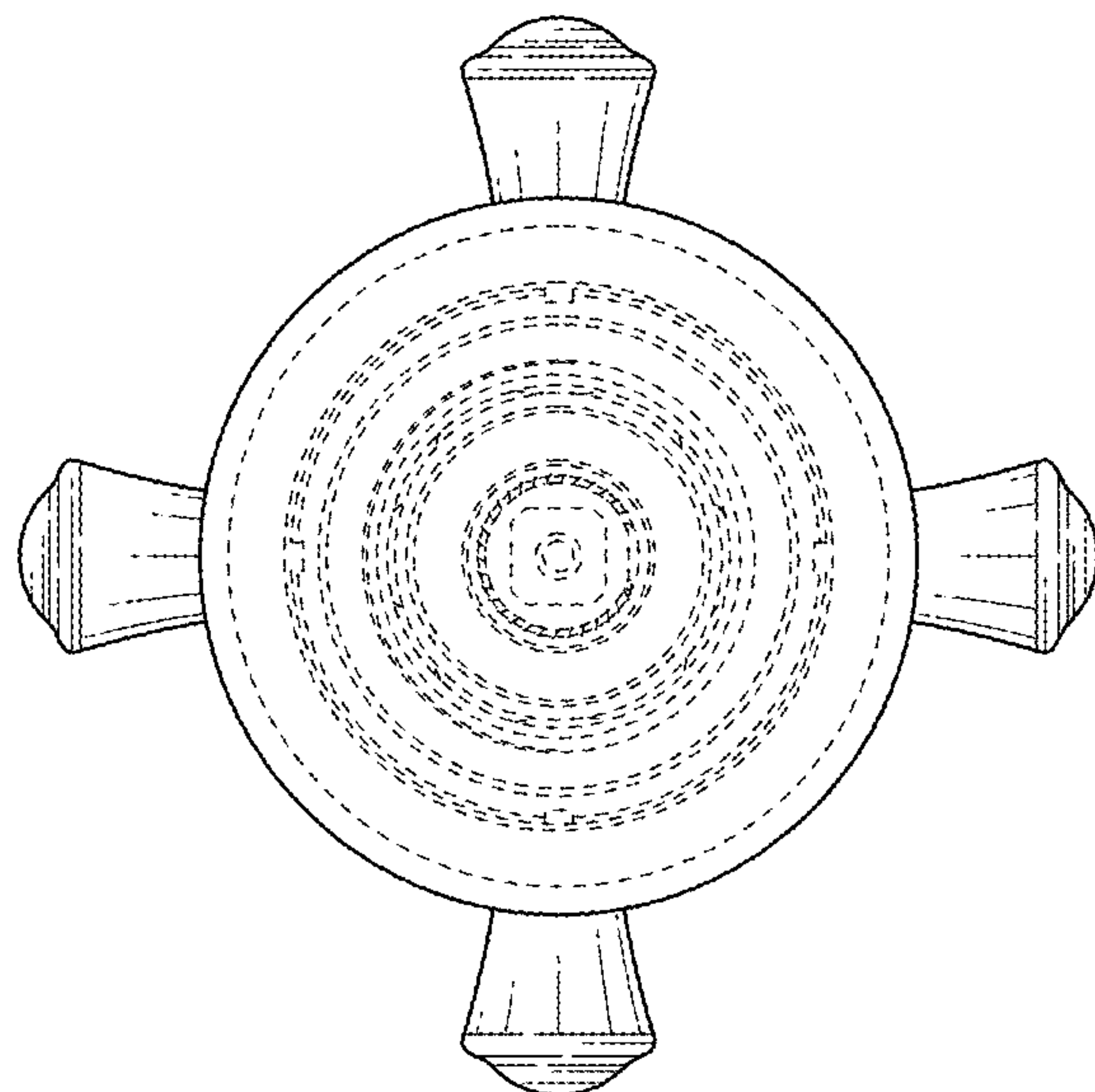


FIG. 7

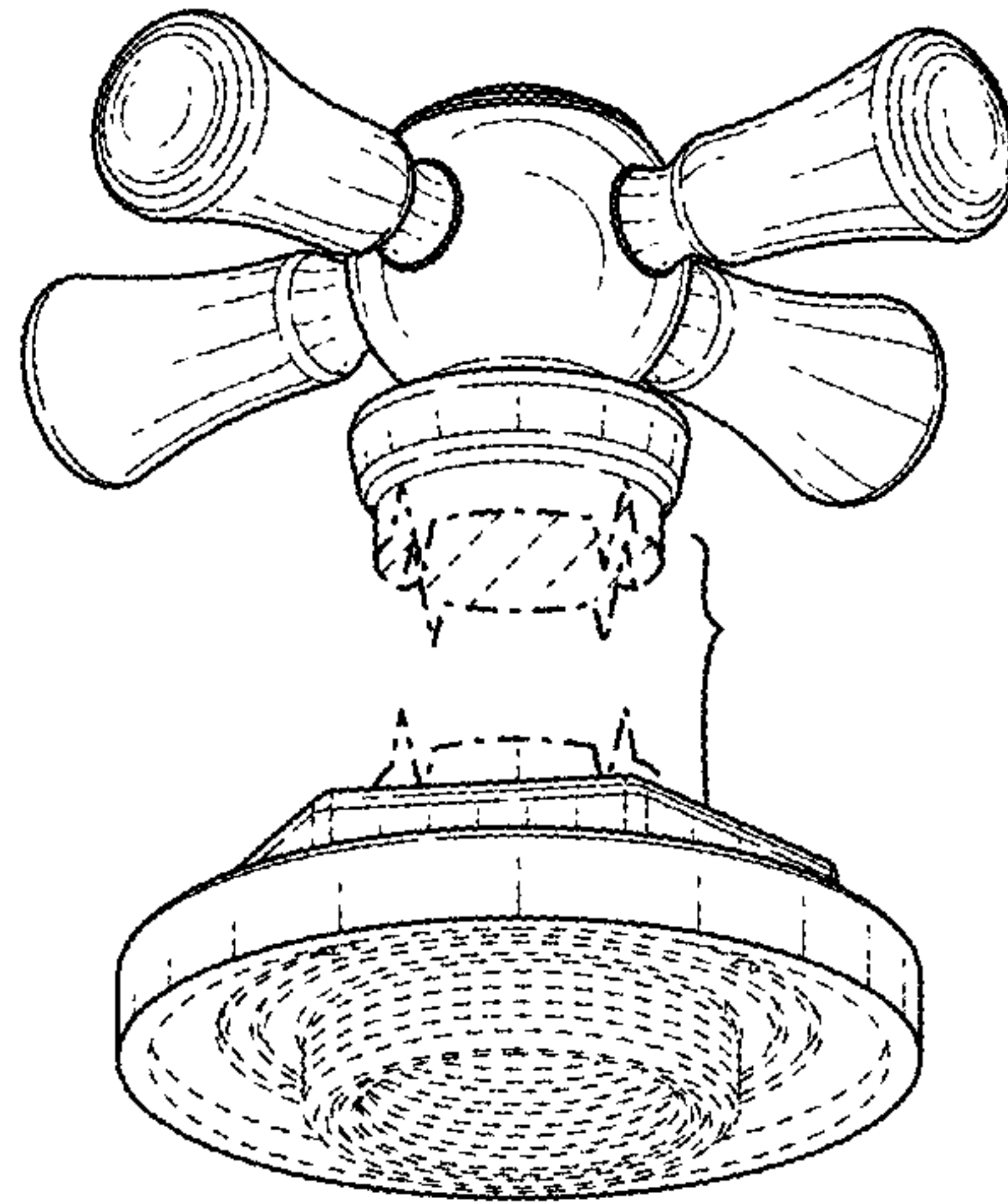


FIG. 8

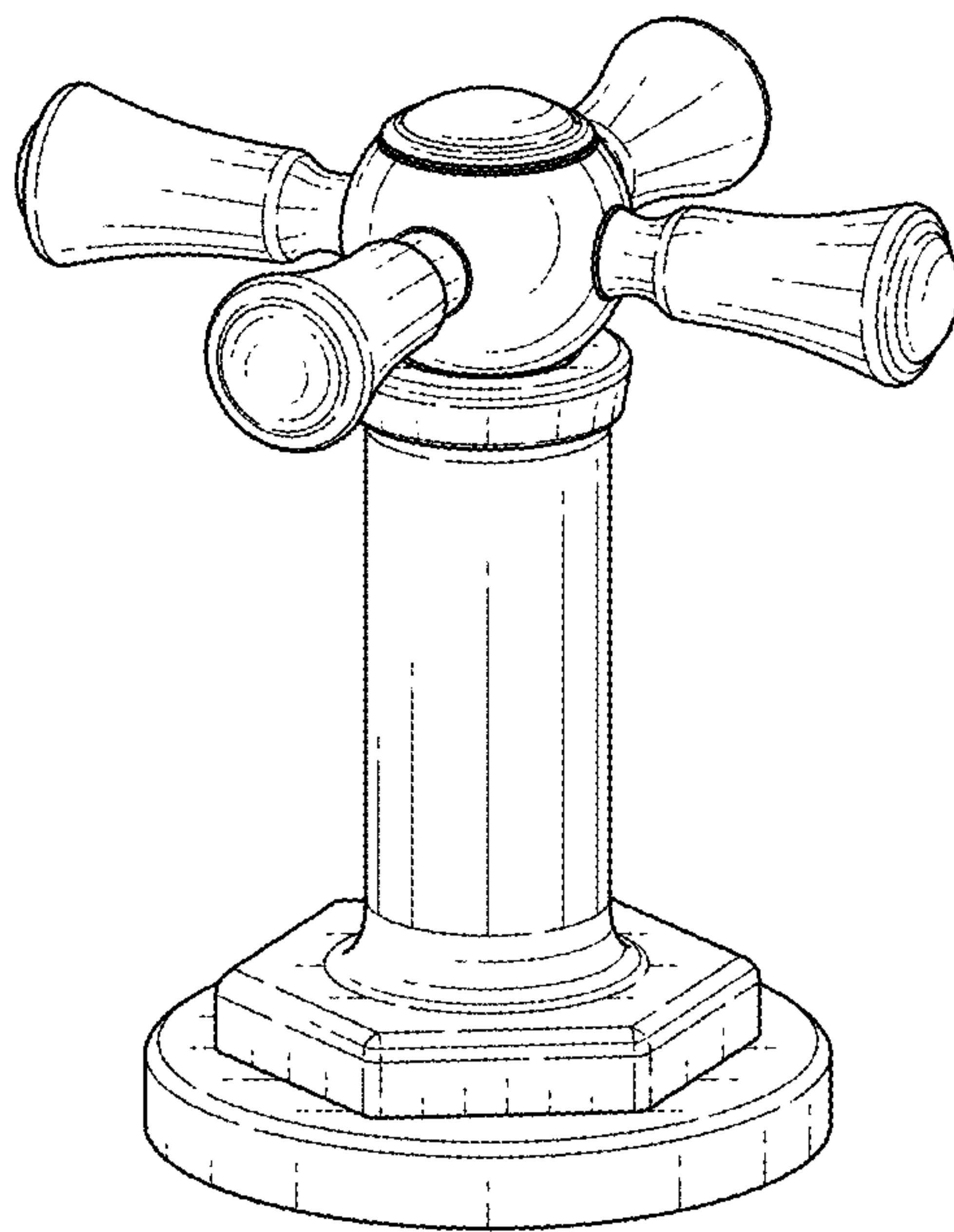


FIG. 9

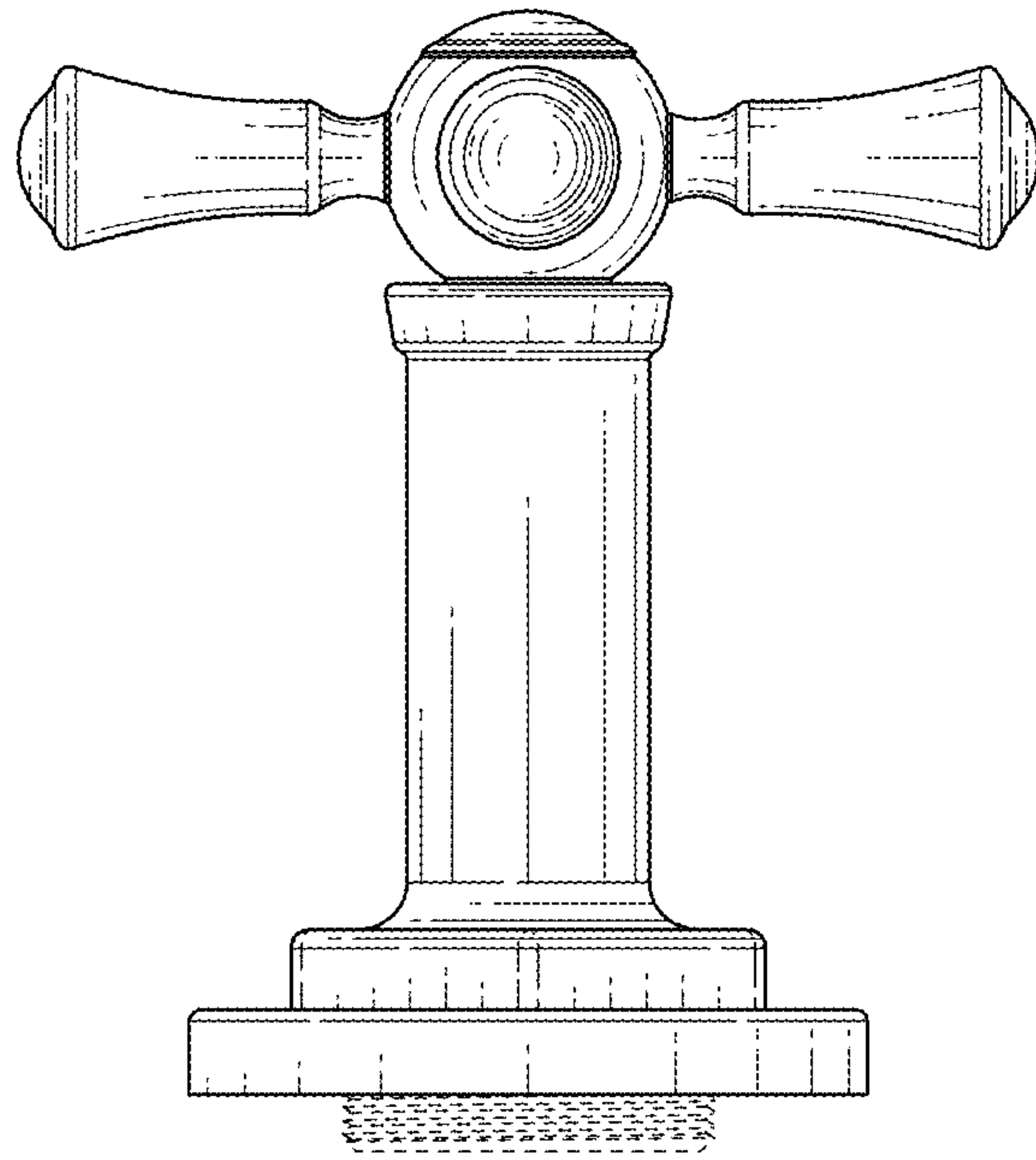


FIG. 10

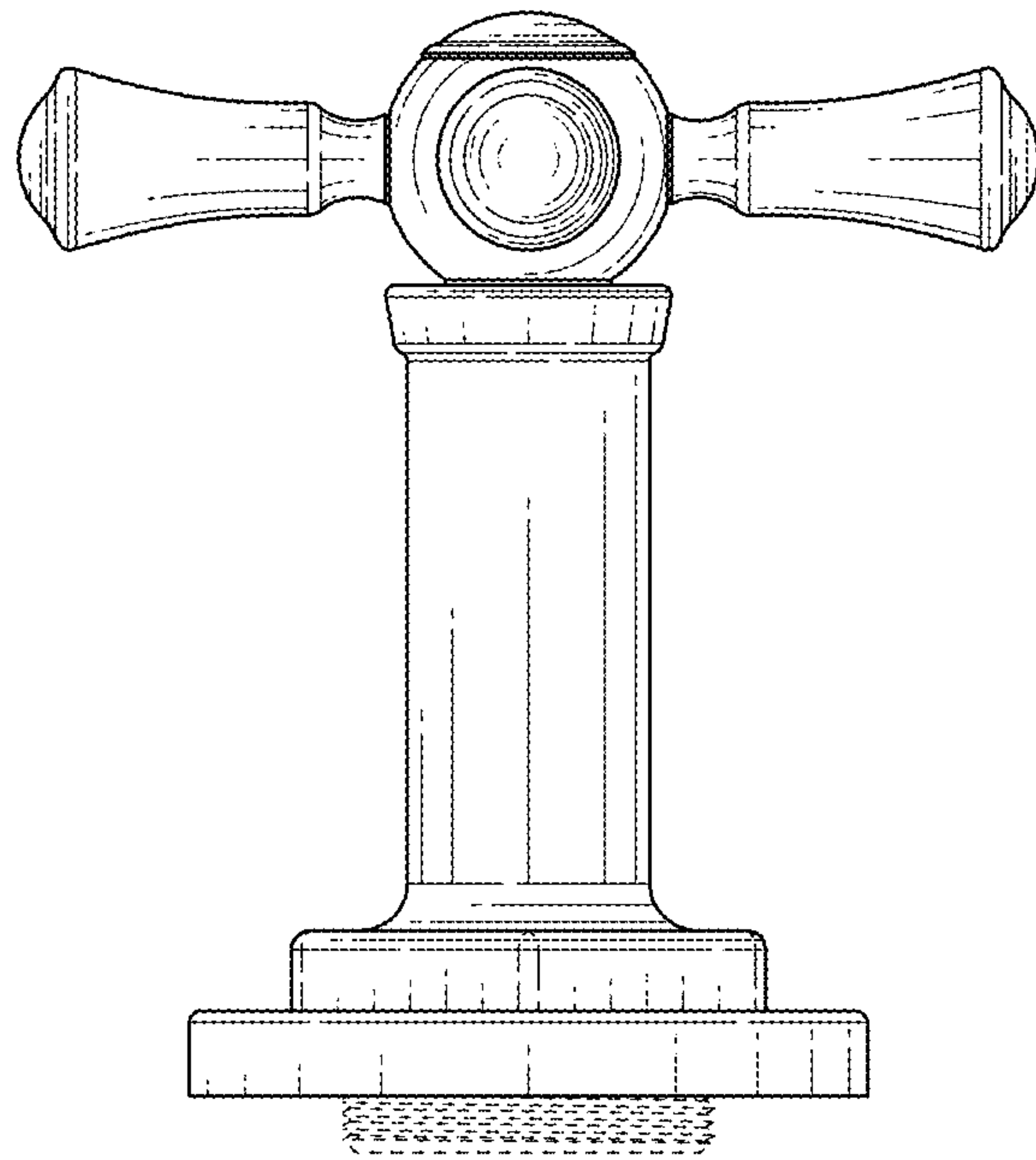


FIG. 11

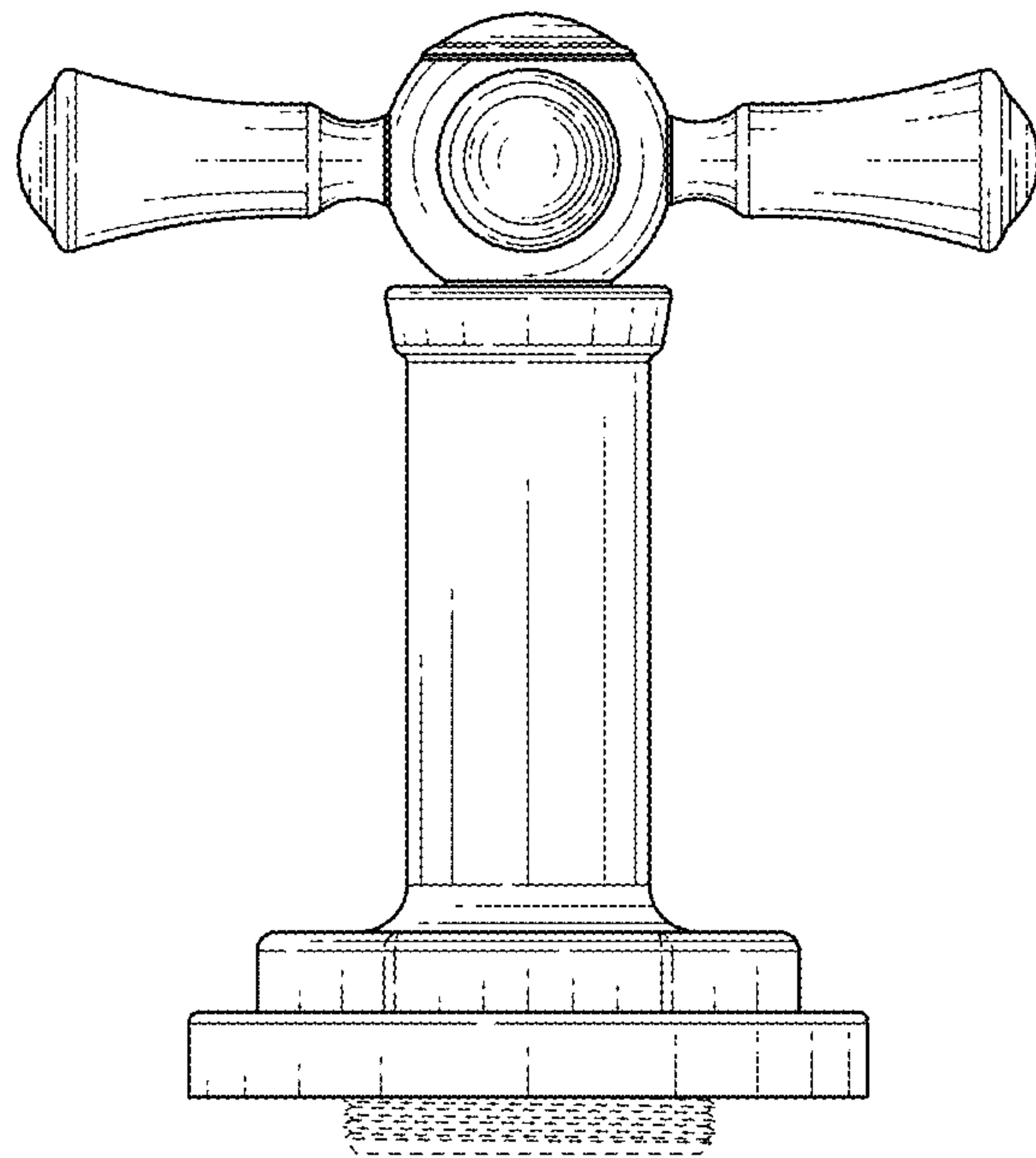


FIG. 12

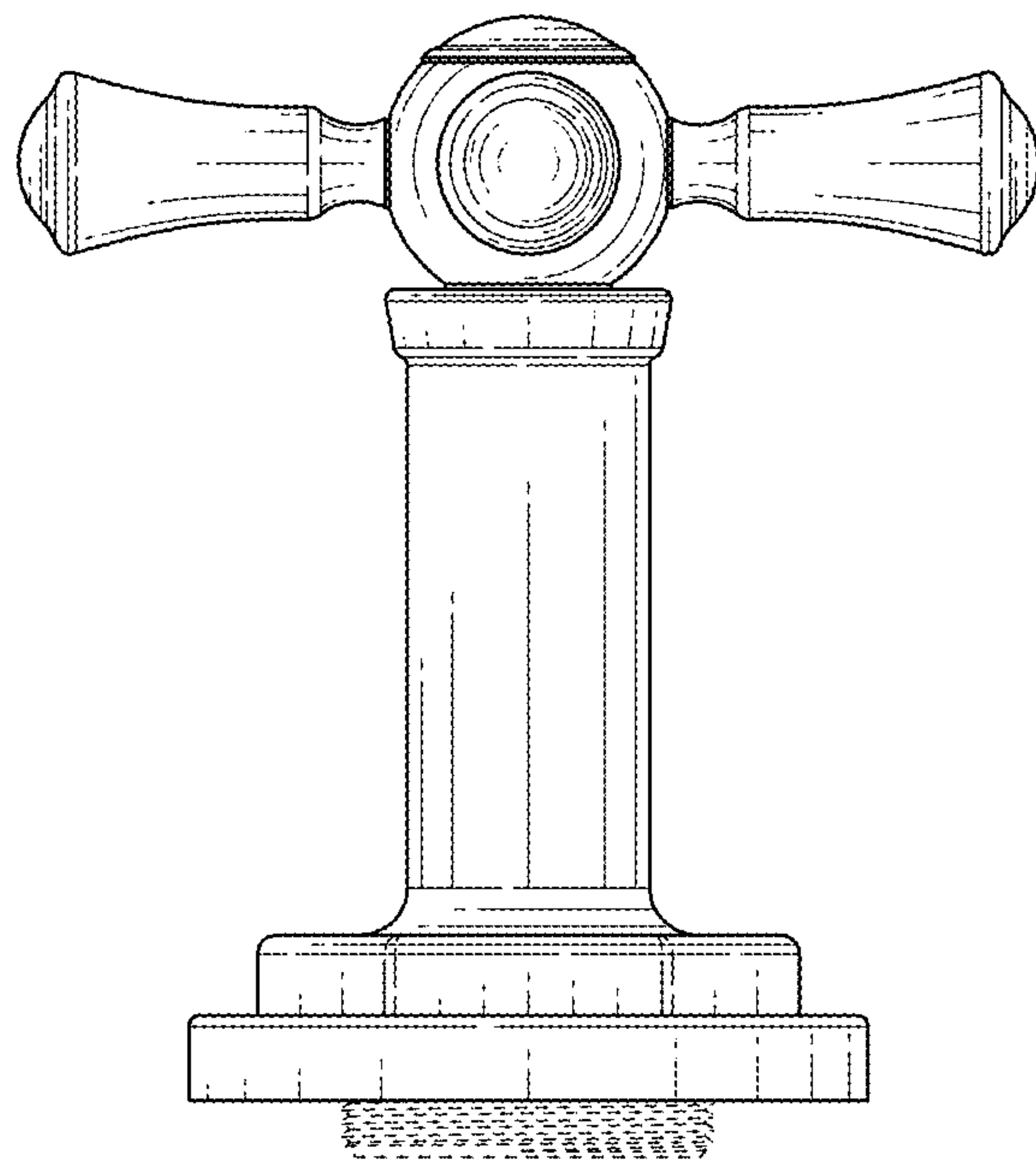


FIG. 13

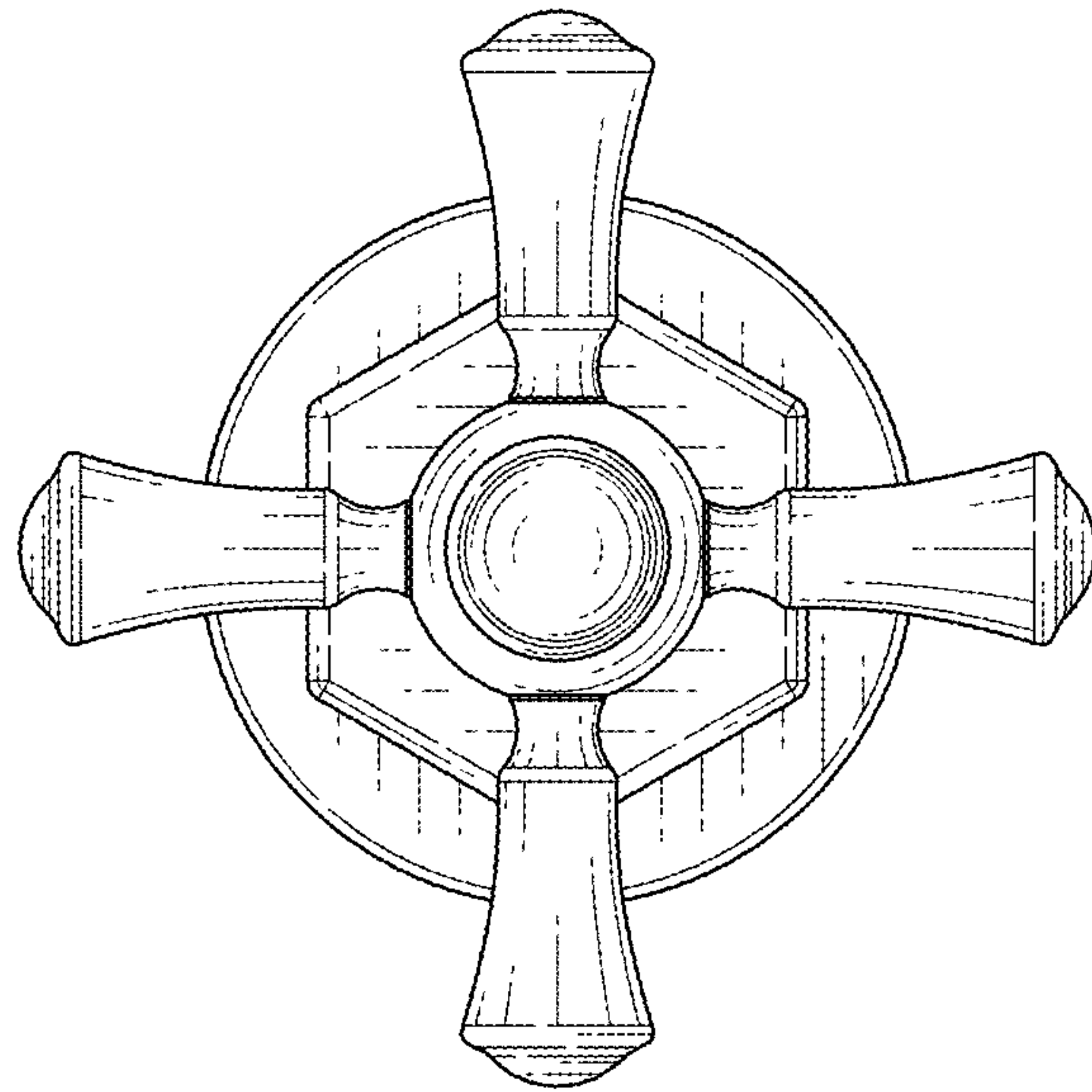


FIG. 14

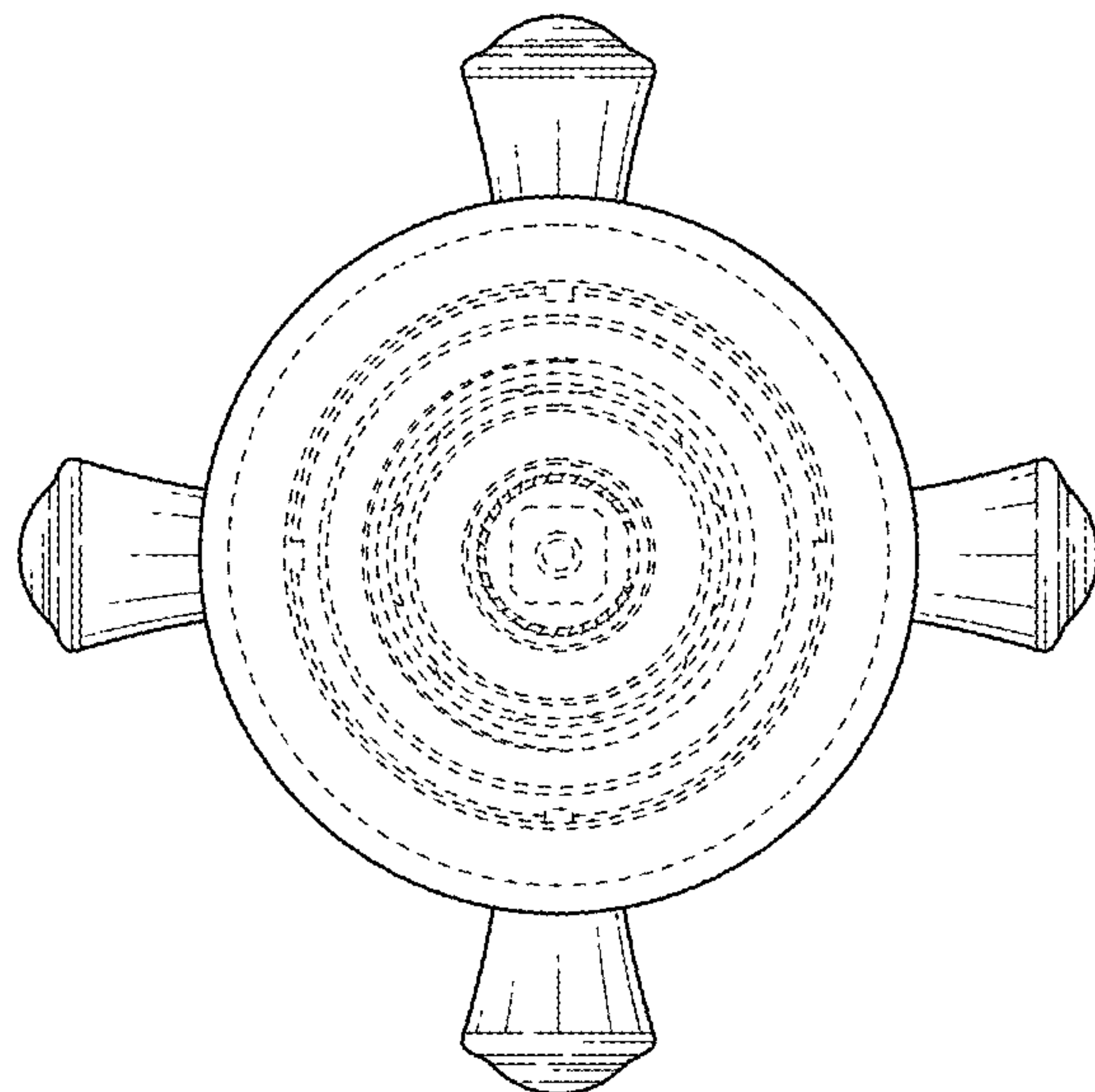


FIG. 15

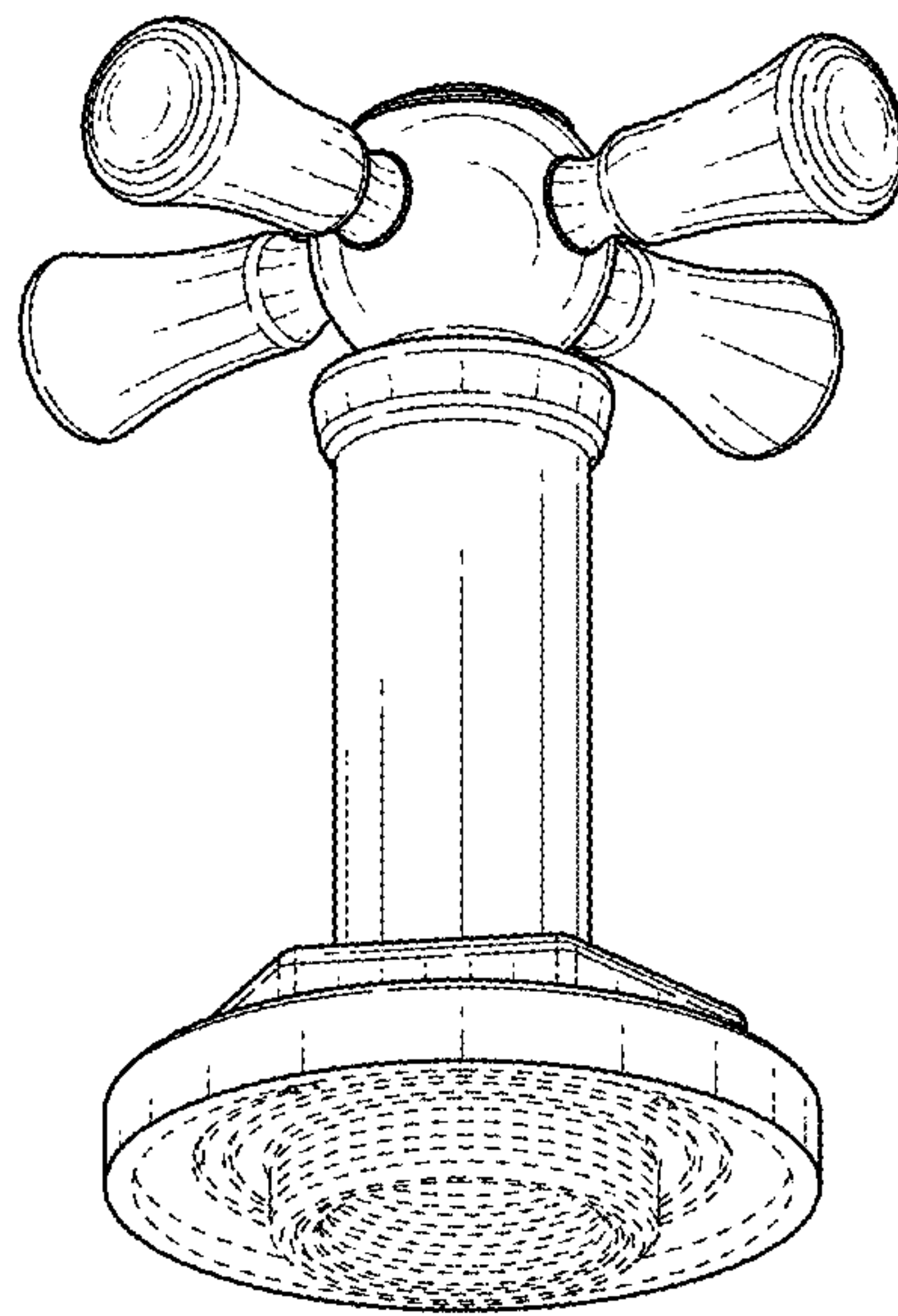


FIG. 16