



US00D967344S

(12) **United States Design Patent** (10) **Patent No.:** **US D967,344 S**
Abramson (45) **Date of Patent:** **** Oct. 18, 2022**

(54) **FAUCET HANDLE**

FOREIGN PATENT DOCUMENTS

(71) Applicant: **DELTA FAUCET COMPANY,**
Indianapolis, IN (US)

CA 174225 * 12/2018

(72) Inventor: **Mary Malyka Abramson,** Indianapolis,
IN (US)

OTHER PUBLICATIONS

(73) Assignee: **DELTA FAUCET COMPANY,**
Indianapolis, IN (US)

Moen YB2101CH Dartmoor Decorative Toilet Tank Lever, first available Jun. 14, 2016[online], [site visited Jun. 29, 2022]. Available from internet, URL:< <https://www.amazon.com/Moen-YB2101ORB-Dartmoor-Rubbed-Bronze/dp/B01H1SOPRW?th=1>> (Year: 2016).*

(**) Term: **15 Years**

Moen 95612 Monticello Replacement Single Handle, first available Sep. 14, 2004[online], [site visited Jun. 29, 2022]. Available from internet, URL:< <https://www.amazon.com/Moen-95612-Replacement-Part/dp/B0017LLR9Y>> (Year: 2004).*

(21) Appl. No.: **29/761,234**

* cited by examiner

(22) Filed: **Dec. 8, 2020**

(51) **LOC (13) Cl.** **23-01**

Primary Examiner — David G Muller

(52) **U.S. Cl.**

Assistant Examiner — Jamaal Rasheed

USPC **D23/252**

(74) *Attorney, Agent, or Firm* — Nirav D. Parikh; Jeffrey L. Doyle

(58) **Field of Classification Search**

USPC D23/238–244, 250, 252, 254–255, 257;
D8/300, 307–308

CPC F16K 31/602; F16K 31/605; F16K 31/607;
E03C 1/02; E03C 1/04

See application file for complete search history.

(57) **CLAIM**

The ornamental design for a faucet handle, as shown and described.

DESCRIPTION

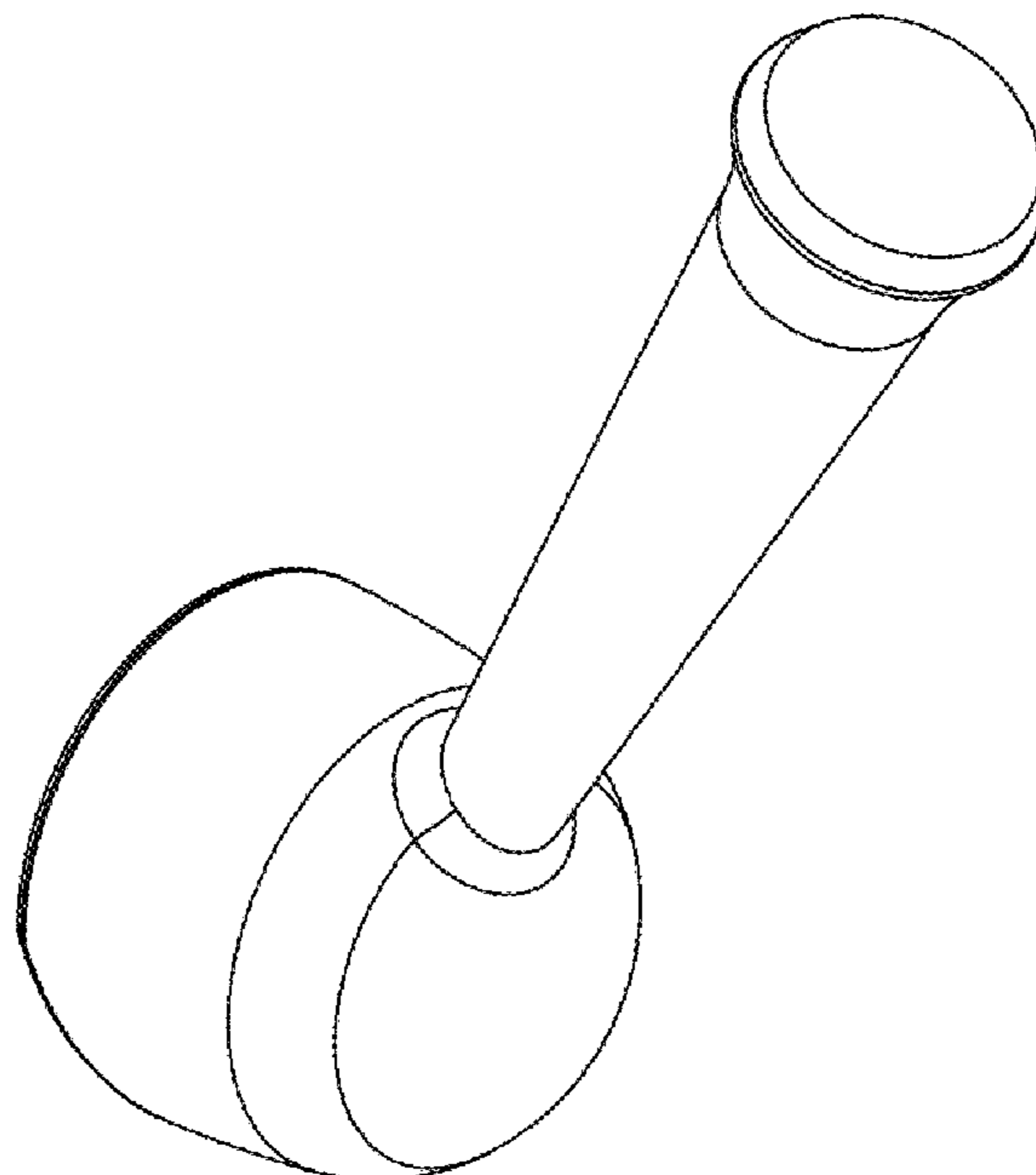
(56) **References Cited**

U.S. PATENT DOCUMENTS

D674,881 S *	1/2013	Kwok	D23/252
D797,255 S *	9/2017	Potter	D23/252
D810,876 S *	2/2018	Bahler	D23/238
D928,923 S *	8/2021	Staler	D23/252
D941,431 S *	1/2022	Staler	D23/252
D941,435 S *	1/2022	Staler	D23/252
D942,590 S *	2/2022	Staler	D23/252
D954,213 S *	6/2022	Bahler	D23/252
D954,216 S *	6/2022	Para	D23/252

FIG. 1 is a front perspective view of a faucet handle showing my new design;
FIG. 2 is a rear perspective view thereof;
FIG. 3 is a front elevational view thereof;
FIG. 4 is a left side view thereof;
FIG. 5 is a right side view thereof;
FIG. 6 is a rear view thereof;
FIG. 7 is a top plan view thereof; and,
FIG. 8 is a bottom view thereof.

1 Claim, 4 Drawing Sheets



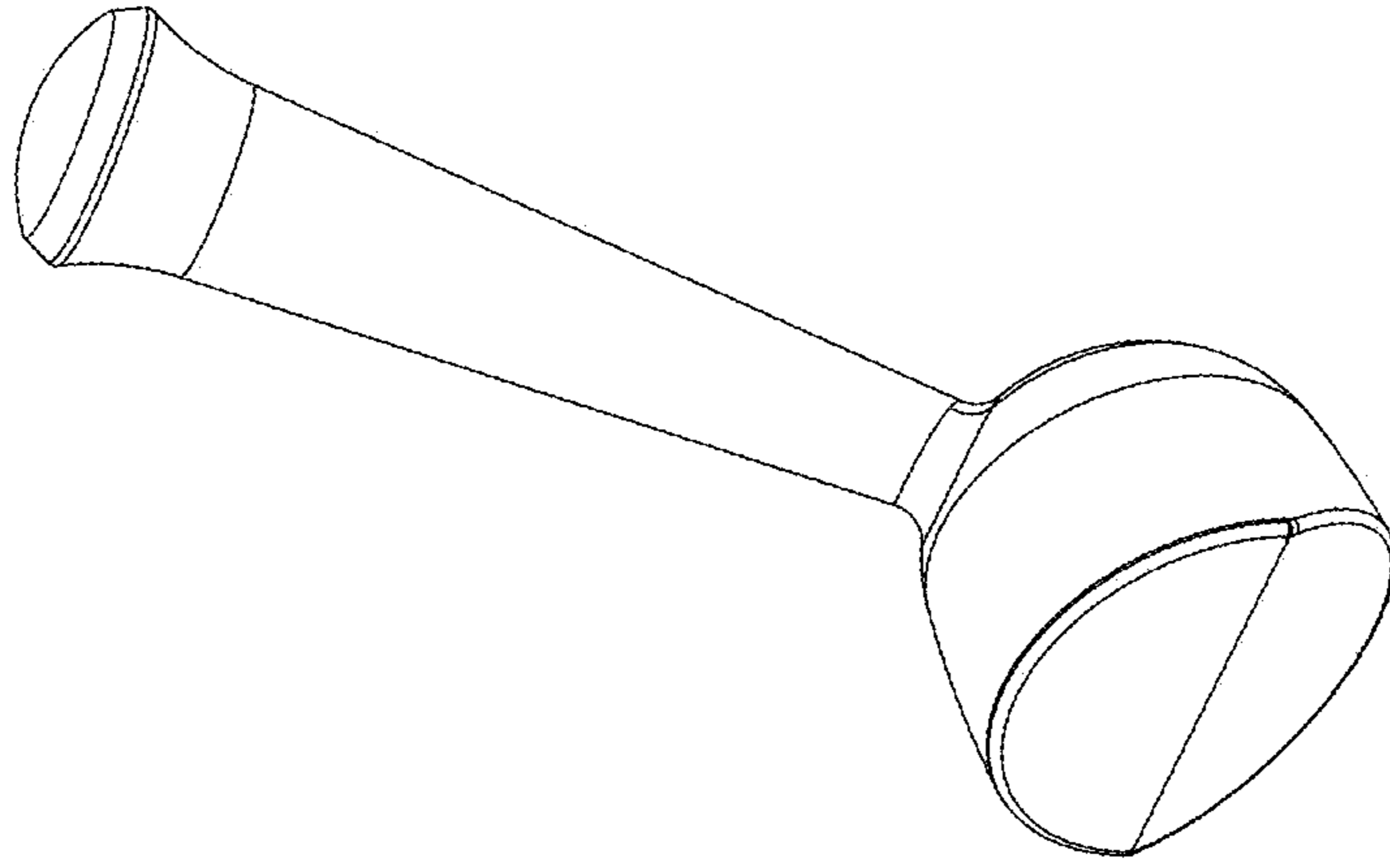


Fig. 2

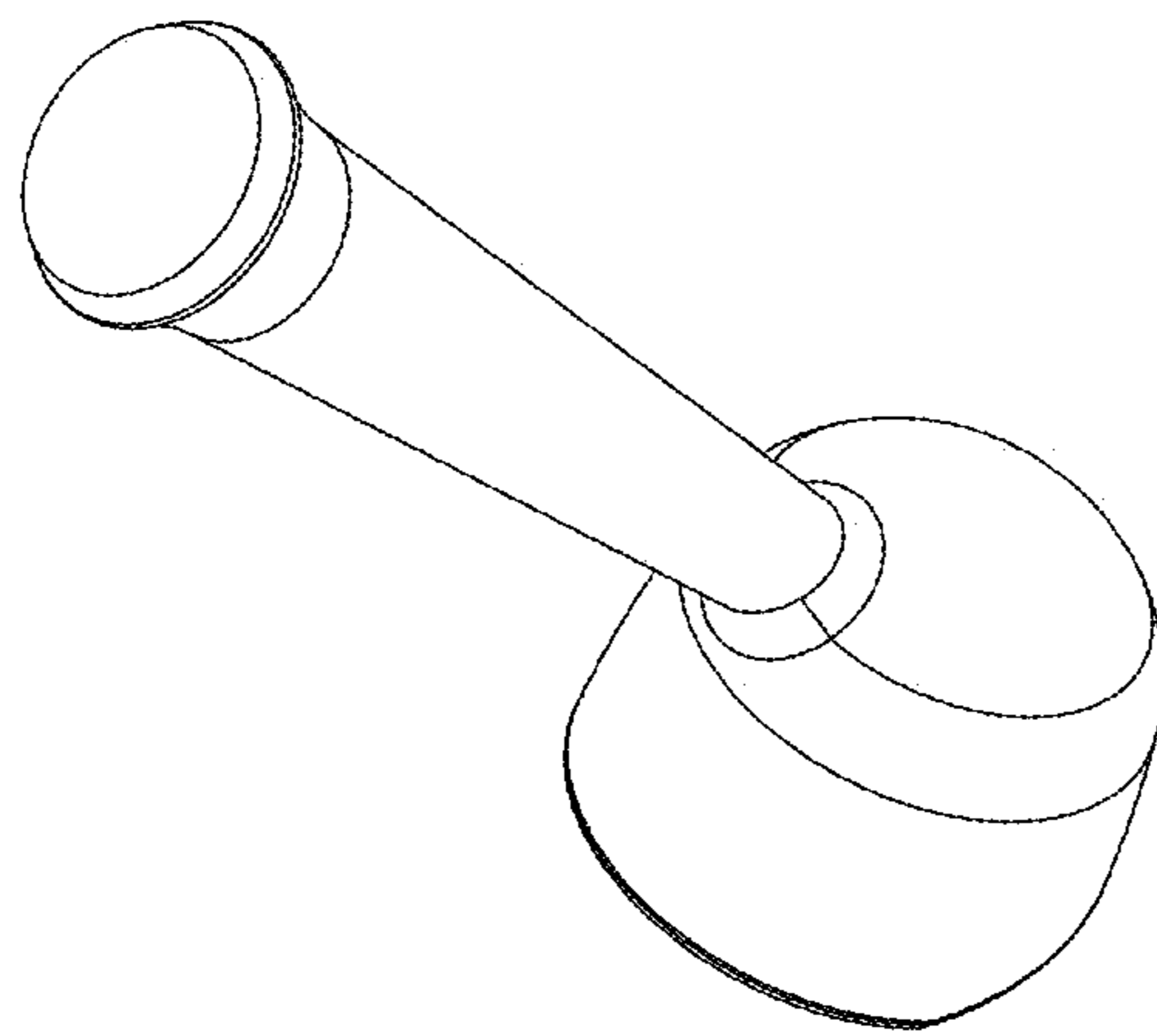


Fig. 1

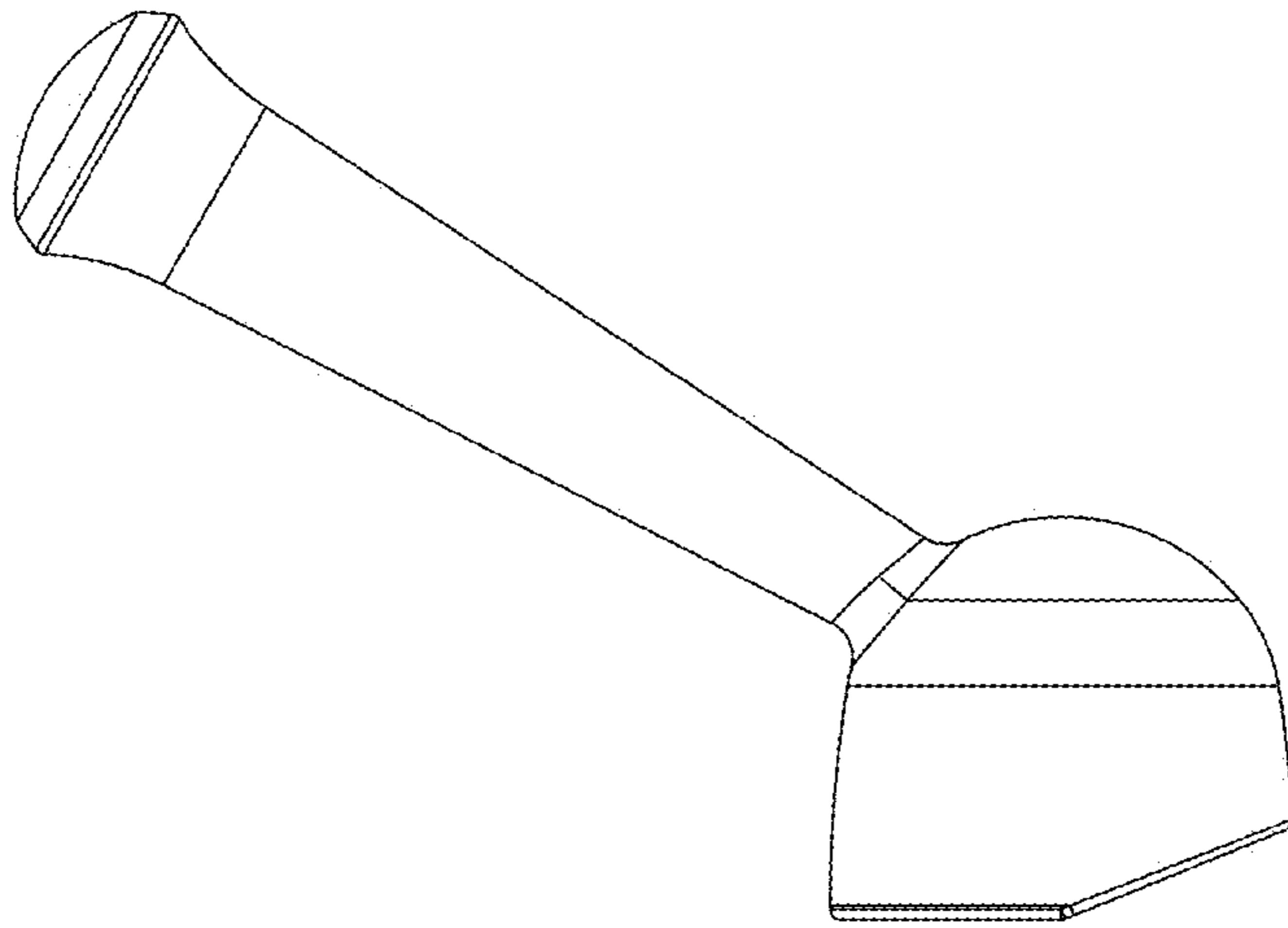


Fig. 4

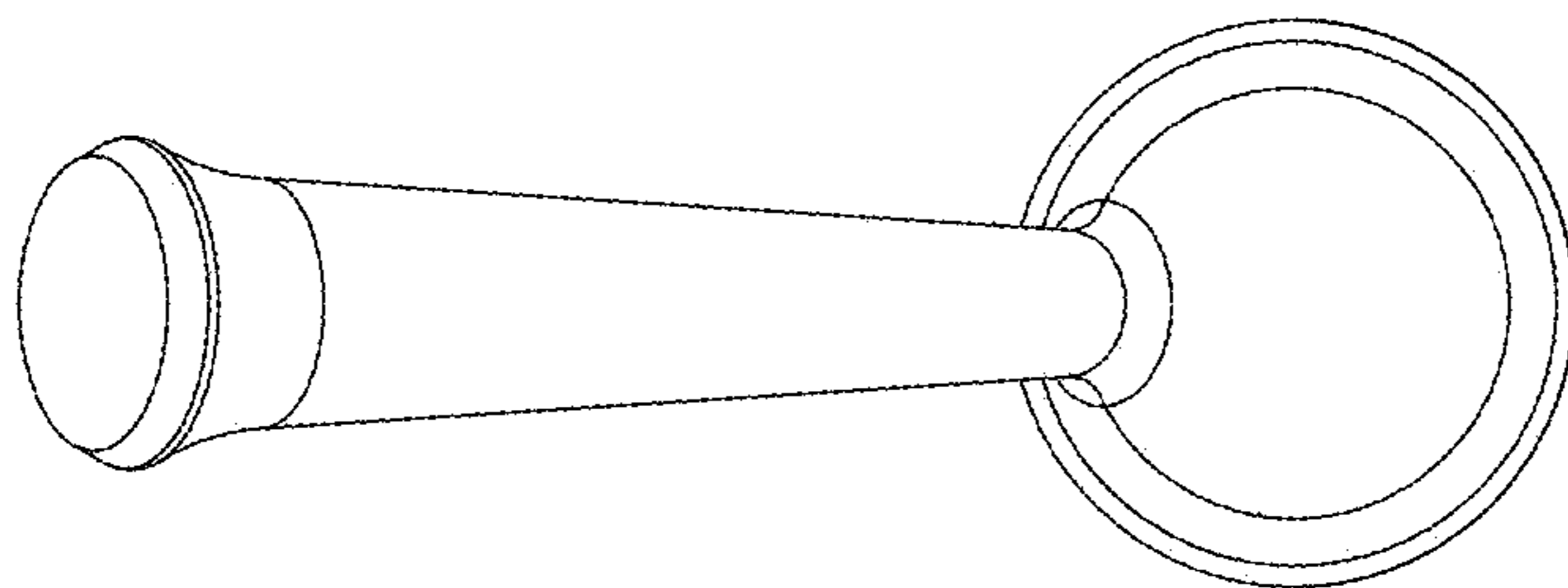


Fig. 3

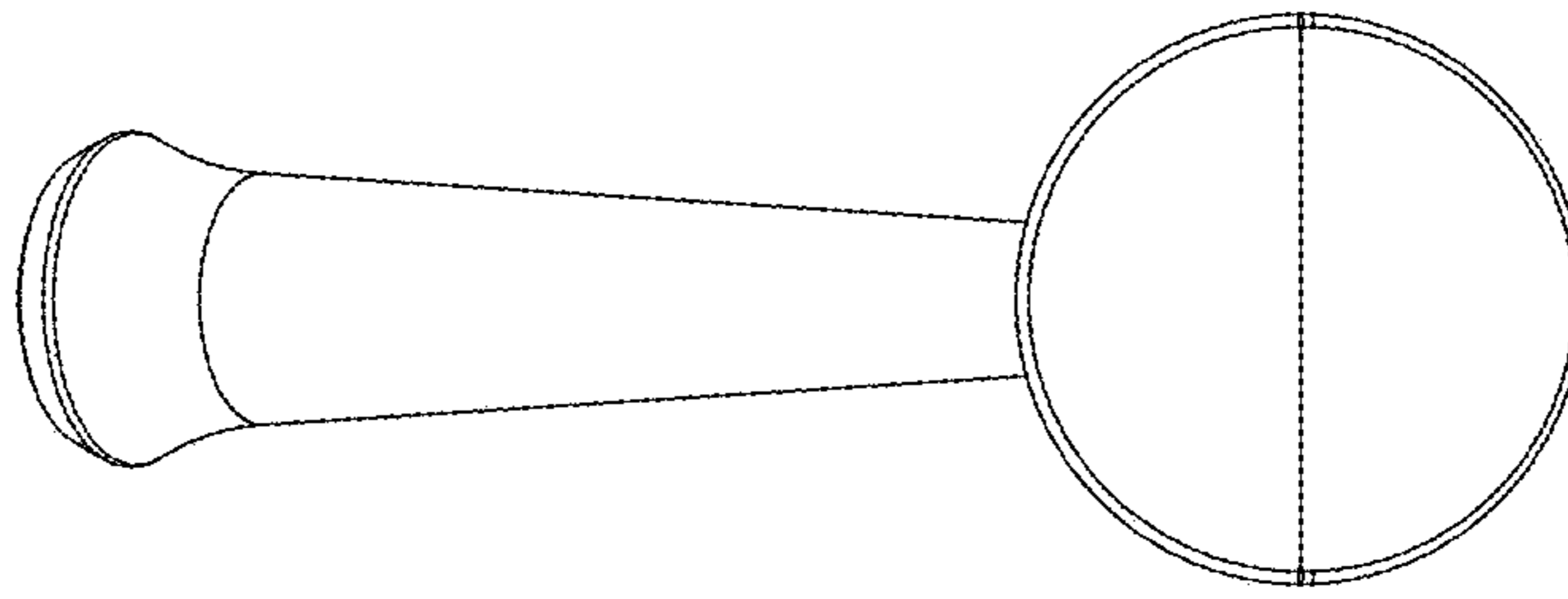


Fig. 6

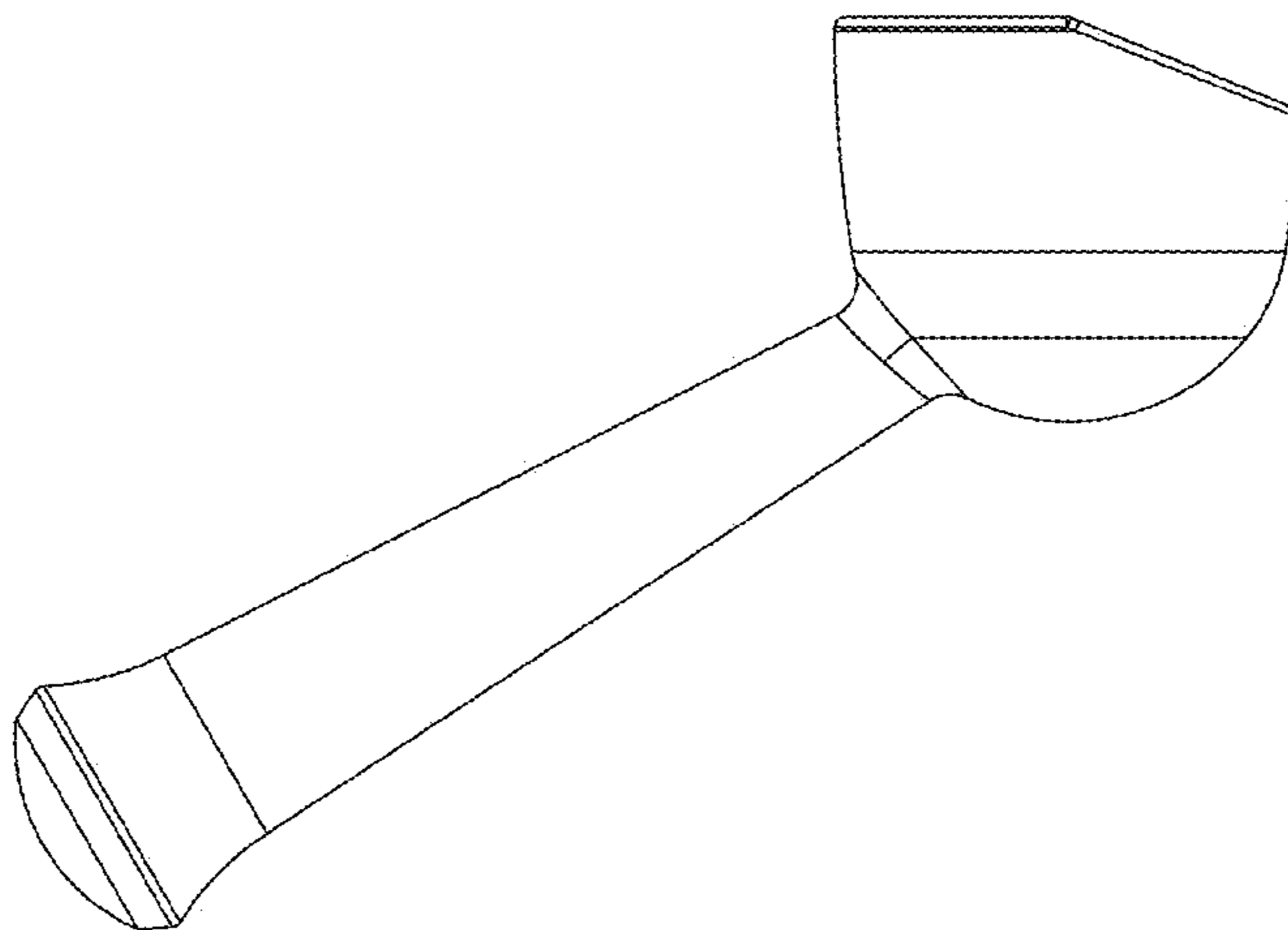


Fig. 5

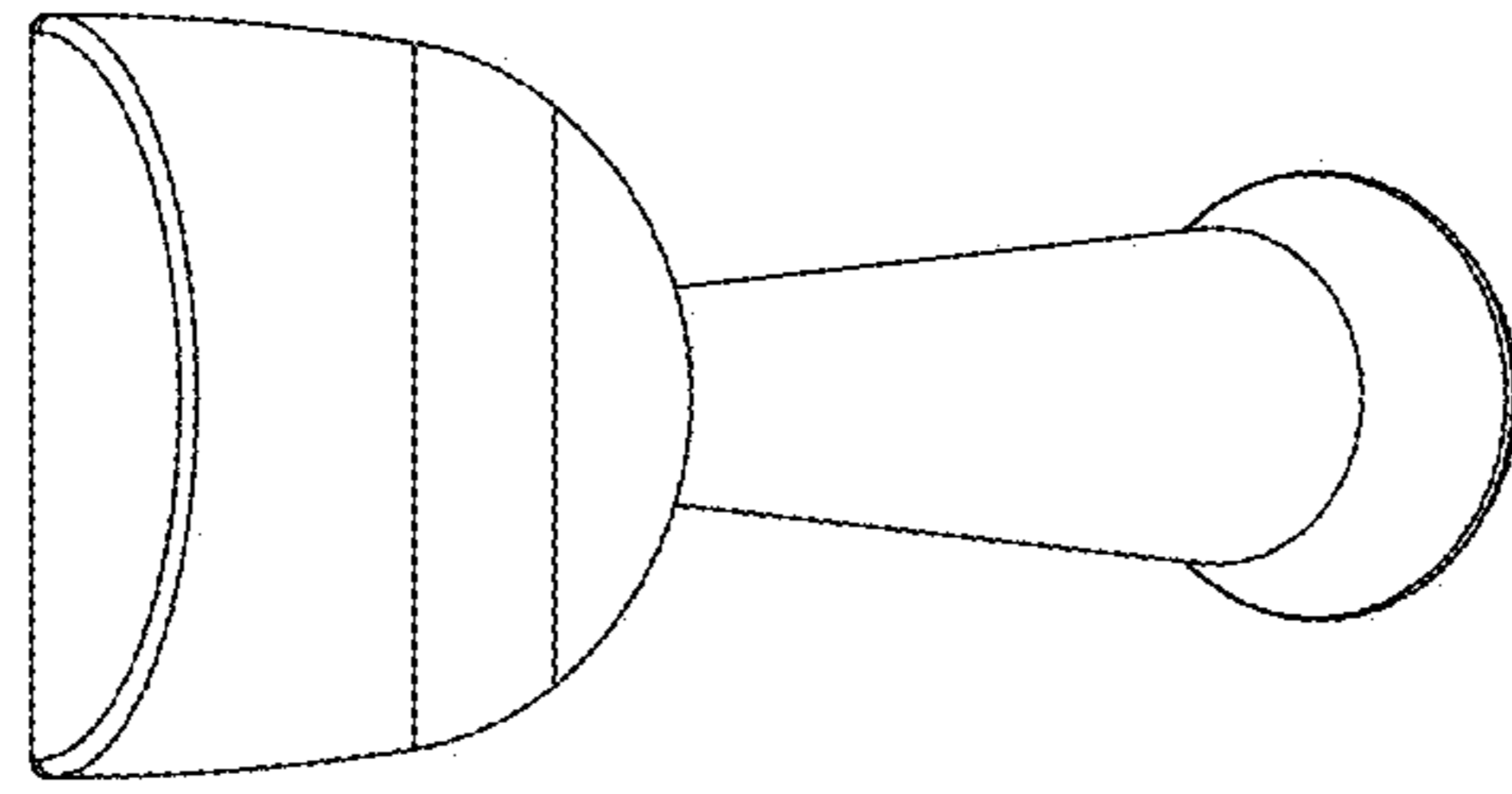


Fig. 8

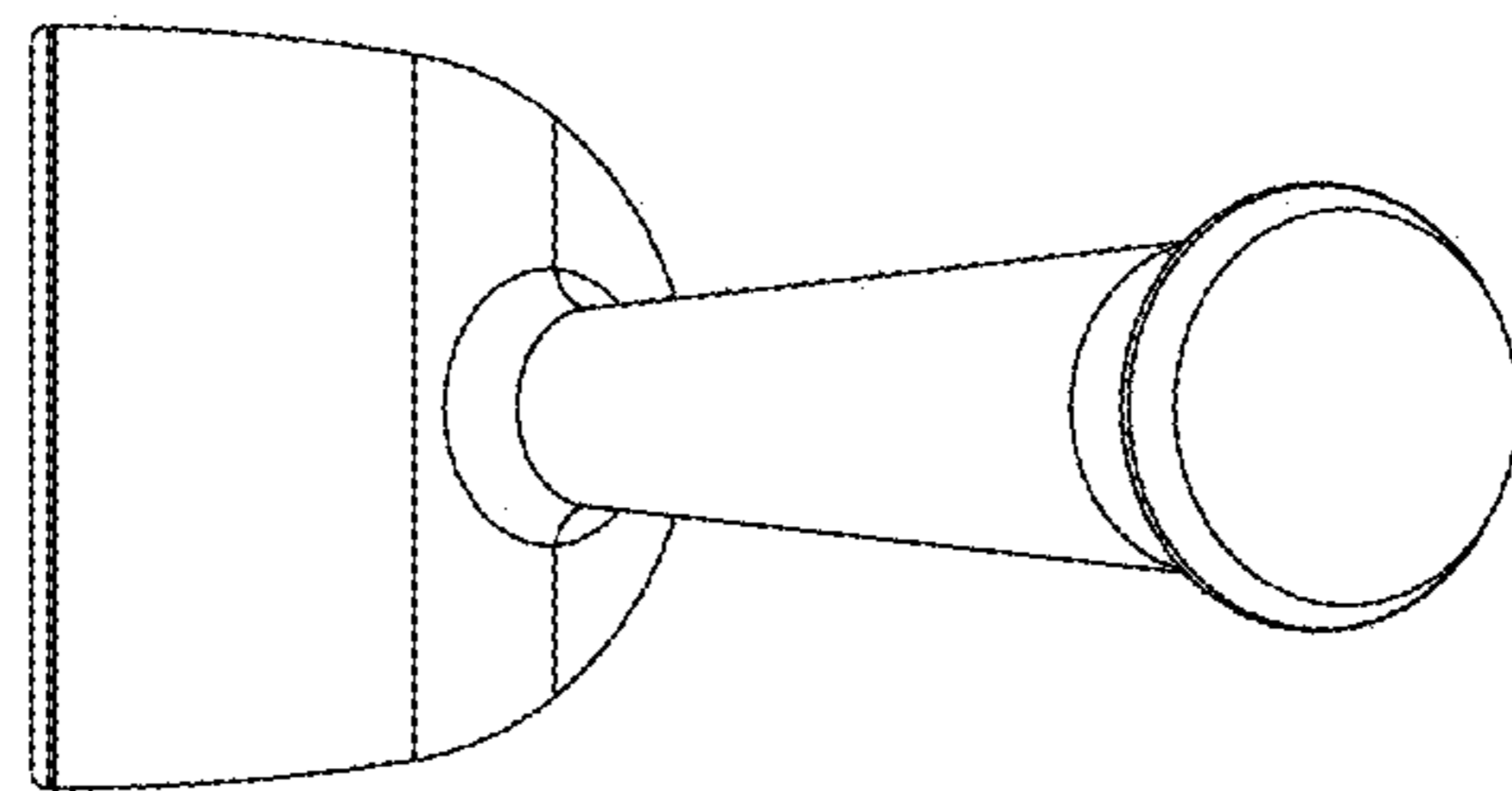


Fig. 7