



US00D967342S

(12) **United States Design Patent** (10) **Patent No.:** **US D967,342 S**
Liao (45) **Date of Patent:** **** Oct. 18, 2022**

(54) **FAUCET HANDLE**

FOREIGN PATENT DOCUMENTS

(71) Applicant: **DELTA FAUCET COMPANY,**
Indianapolis, IN (US)

GB 6060075 * 5/2019
IN 211260-0001 * 7/2009

(72) Inventor: **Song Qing Liao,** Guangzhou (CN)

OTHER PUBLICATIONS

(73) Assignee: **DELTA FAUCET COMPANY,**
Indianapolis, IN (US)

Delta Faucet RP21469SS Waterfall Single Lever Handle, first available Oct. 10, 2010[online], [site visited Jun. 29, 2021]. Available from internet, URL: <https://www.amazon.com/Faucet-RP21469SS-Waterfall-Single-Stainless/dp/B00084WSGW> (Year: 2010).*
Zurn Z7000-LH Temp-Gard I Lever Handle, first available Sep. 28, 2017[online], [site visited Jun. 29, 2021]. Available from internet, URL: <https://www.amazon.ca/dp/B00DAI37VS> (Year: 2020).*

(**) Term: **15 Years**

(21) Appl. No.: **29/760,375**

* cited by examiner

(22) Filed: **Dec. 1, 2020**

(51) **LOC (13) Cl.** **23-01**

(52) **U.S. Cl.**
USPC **D23/252**

(58) **Field of Classification Search**
USPC D23/238-244, 250, 252, 254-255, 257;
D8/300, 307-308

CPC F16K 31/602; F16K 31/605; F16K 31/607;
E03C 1/02; E03C 1/04

See application file for complete search history.

Primary Examiner — David G Muller
Assistant Examiner — Jamaal Rasheed

(74) *Attorney, Agent, or Firm* — Nirav D. Parikh; Jeffrey L. Doyle

(57) **CLAIM**

The ornamental design for a faucet handle, as shown and described.

DESCRIPTION

FIG. 1 is a front perspective view of a faucet handle showing my new design;

FIG. 2 is a rear perspective view thereof;

FIG. 3 is a front elevational view thereof;

FIG. 4 is a left side view thereof;

FIG. 5 is a rear view thereof;

FIG. 6 is a right side view thereof;

FIG. 7 is a top plan view thereof; and,

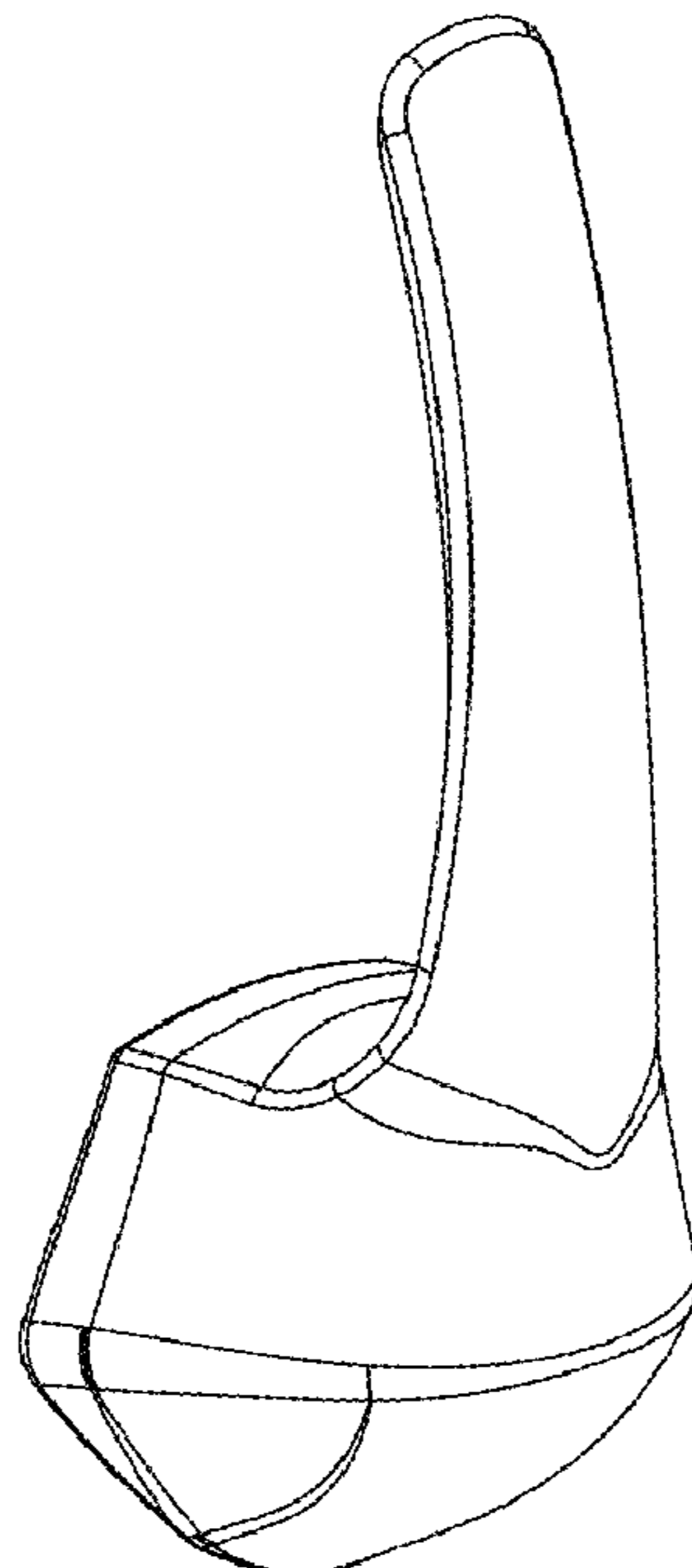
FIG. 8 is a bottom view thereof.

(56) **References Cited**

U.S. PATENT DOCUMENTS

D381,580 S	*	7/1997	Kokenge	D9/447
D405,871 S	*	2/1999	Pitsch	D23/252
D406,322 S	*	3/1999	Pitsch	D23/252
D480,451 S	*	10/2003	Singtoroj	D23/252
D862,657 S	*	10/2019	Bahler	D23/252
D908,843 S	*	1/2021	Zhang	D23/252
D925,008 S	*	7/2021	Stoler	D23/252
D937,390 S	*	11/2021	Zhang	D23/252
D941,434 S	*	1/2022	Fritz	D23/252
D954,905 S	*	6/2022	Liao	D23/238

1 Claim, 4 Drawing Sheets



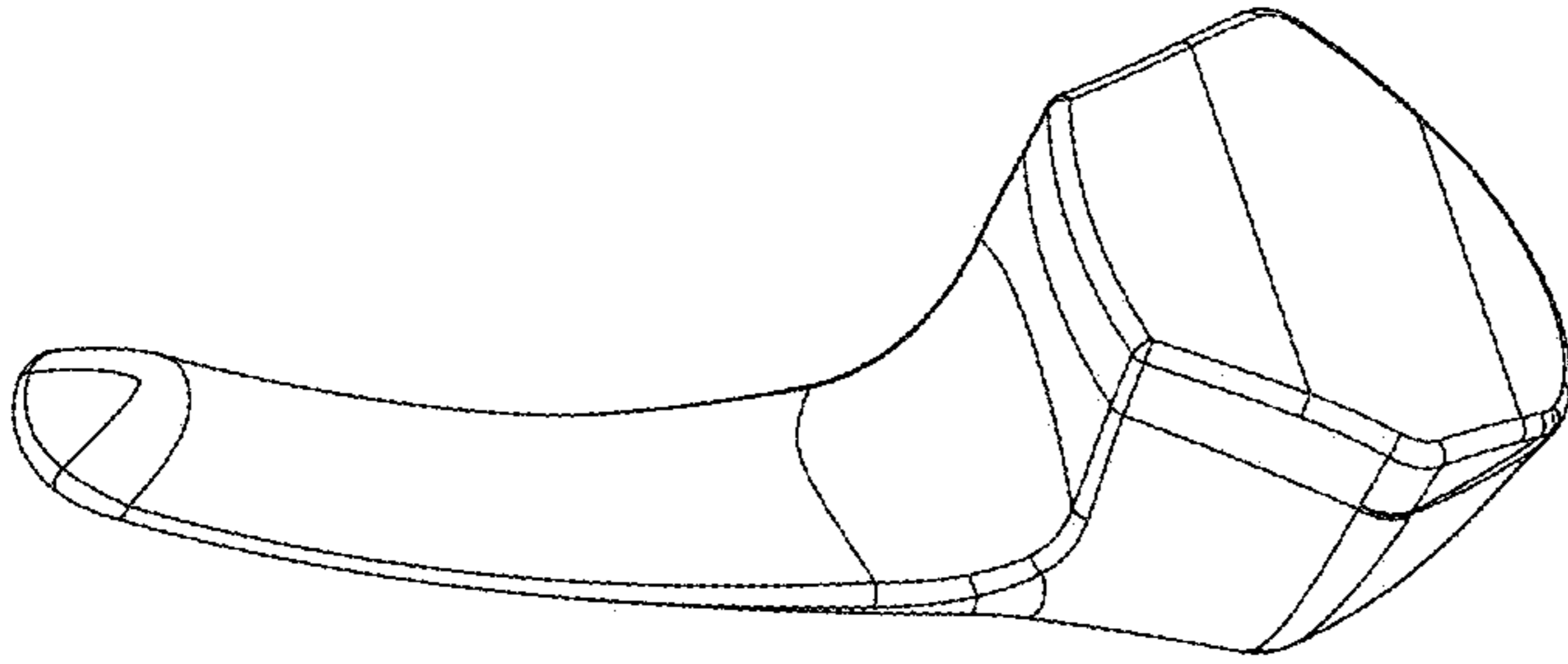


FIG - 2

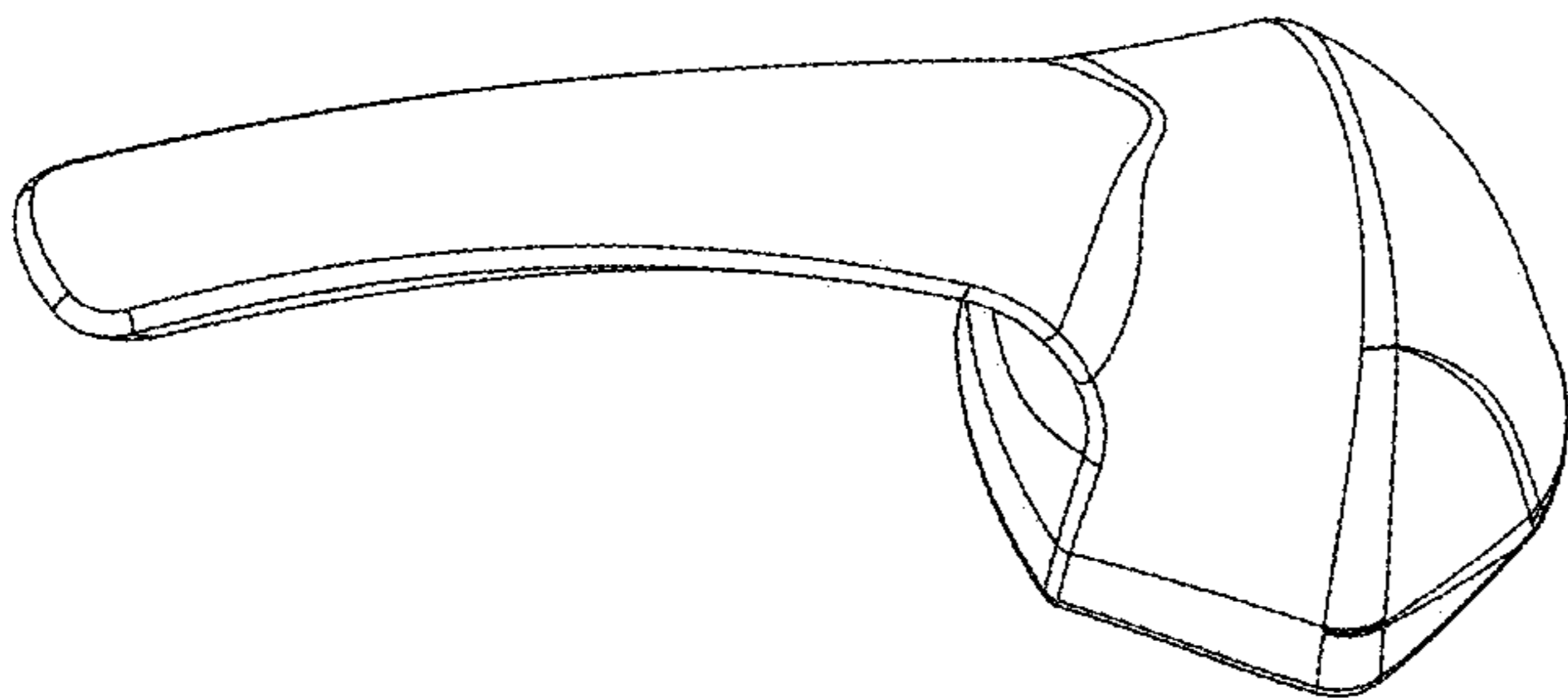


FIG - 1

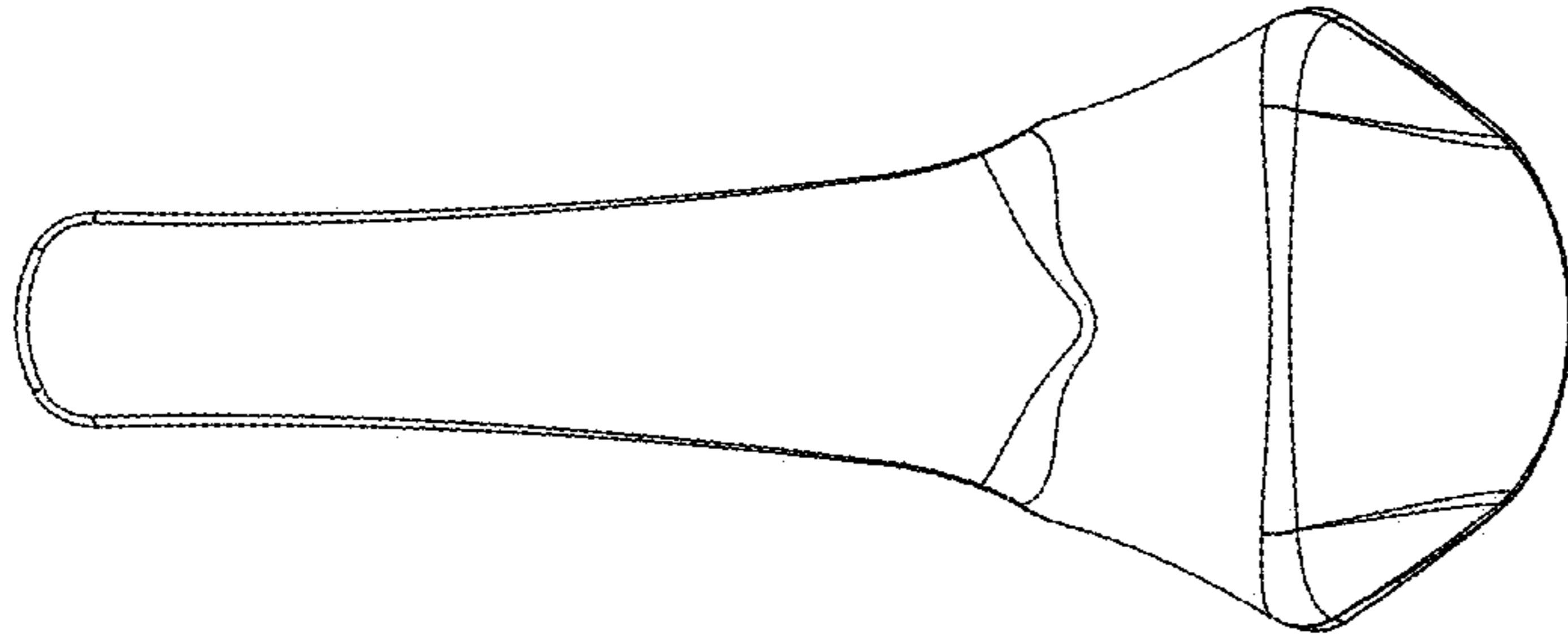


FIG - 4

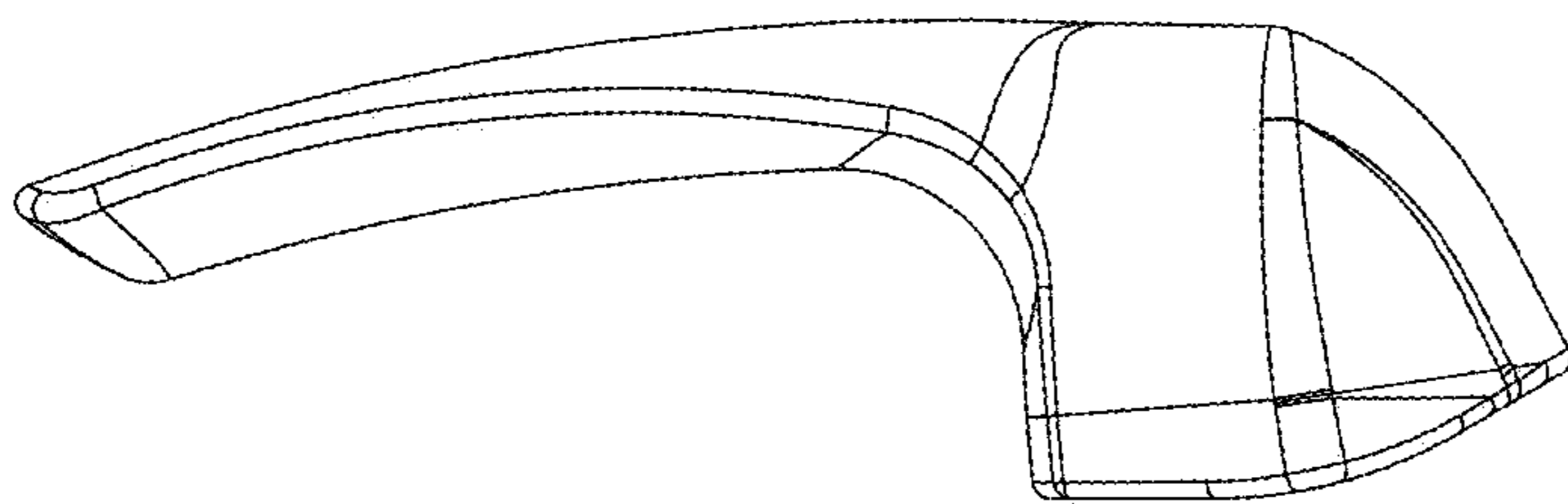


FIG - 3

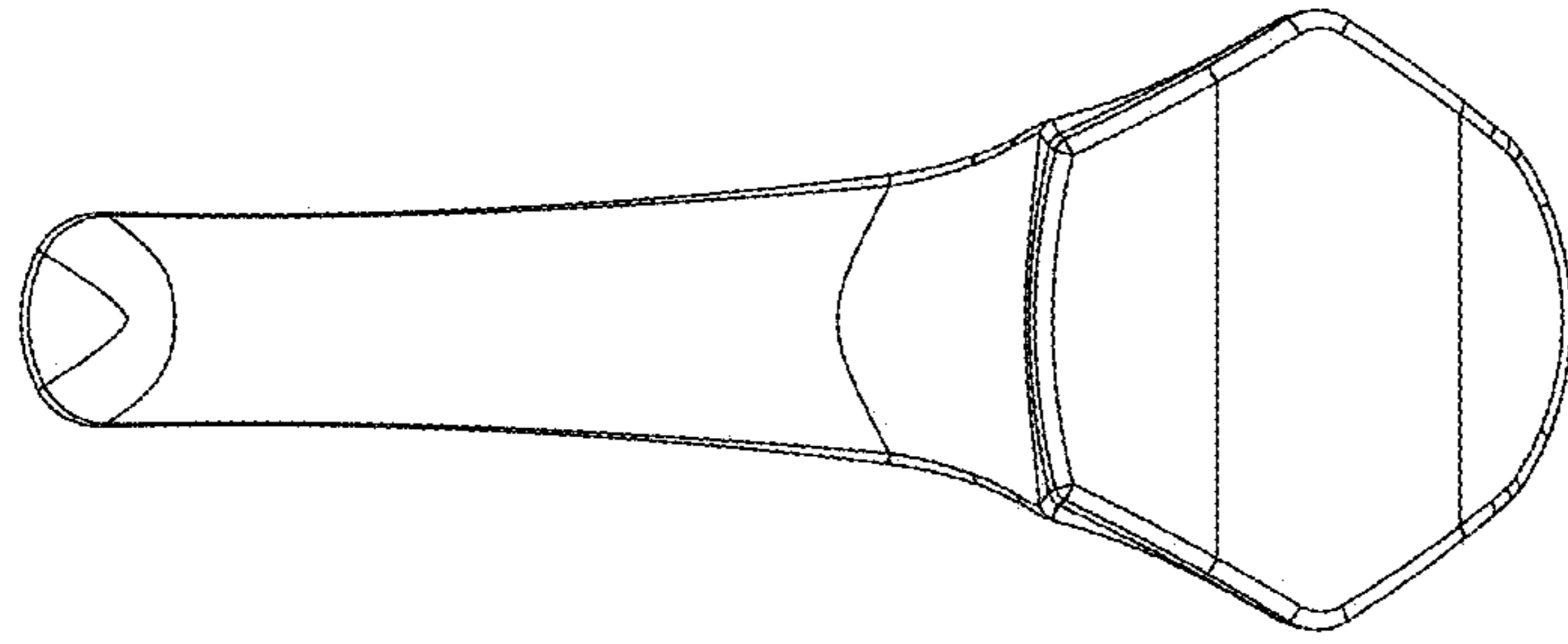


FIG - 6

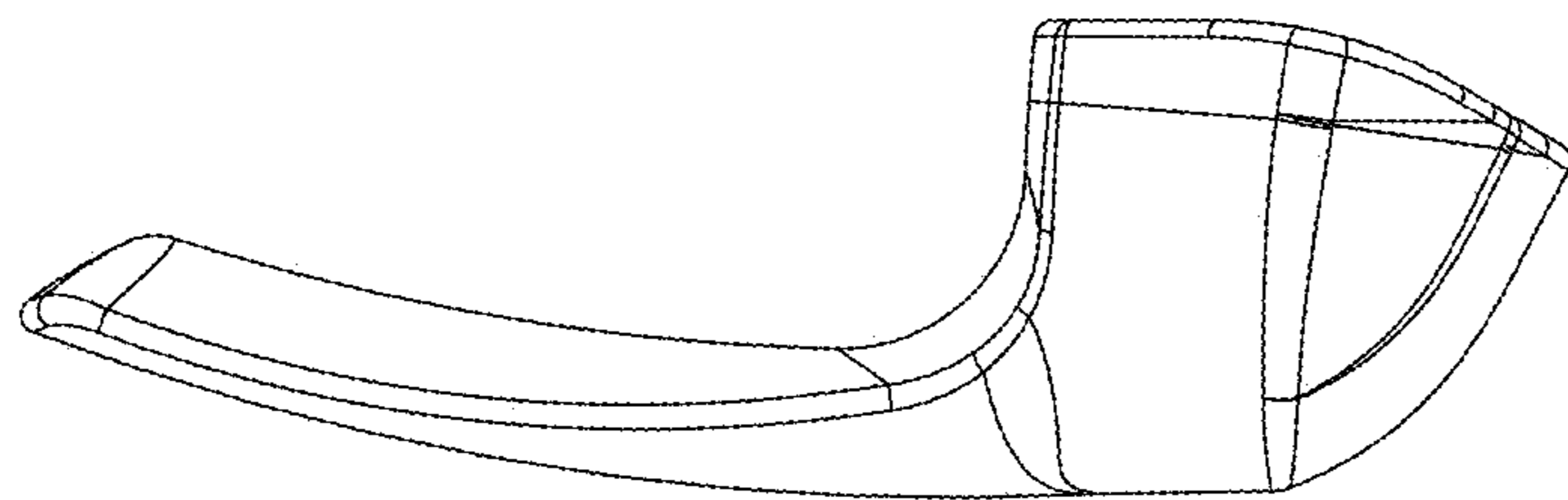


FIG - 5

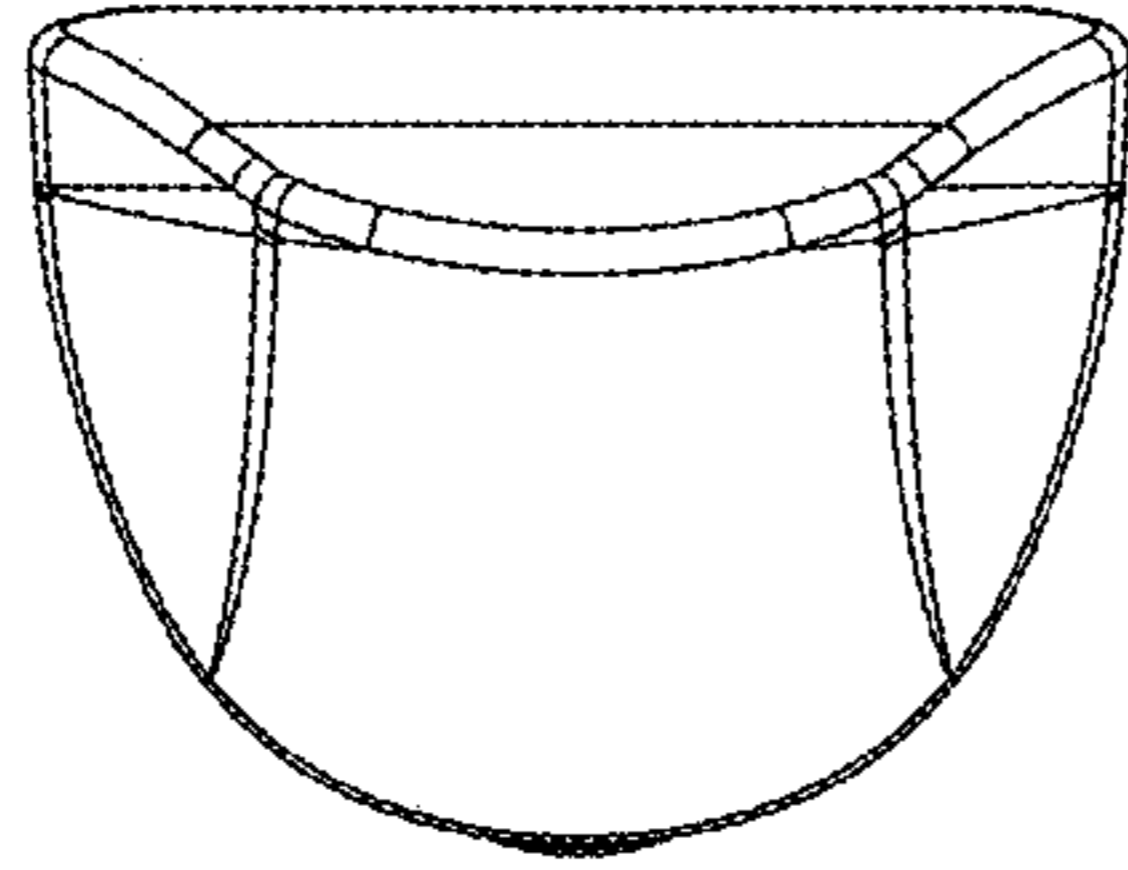


FIG - 8

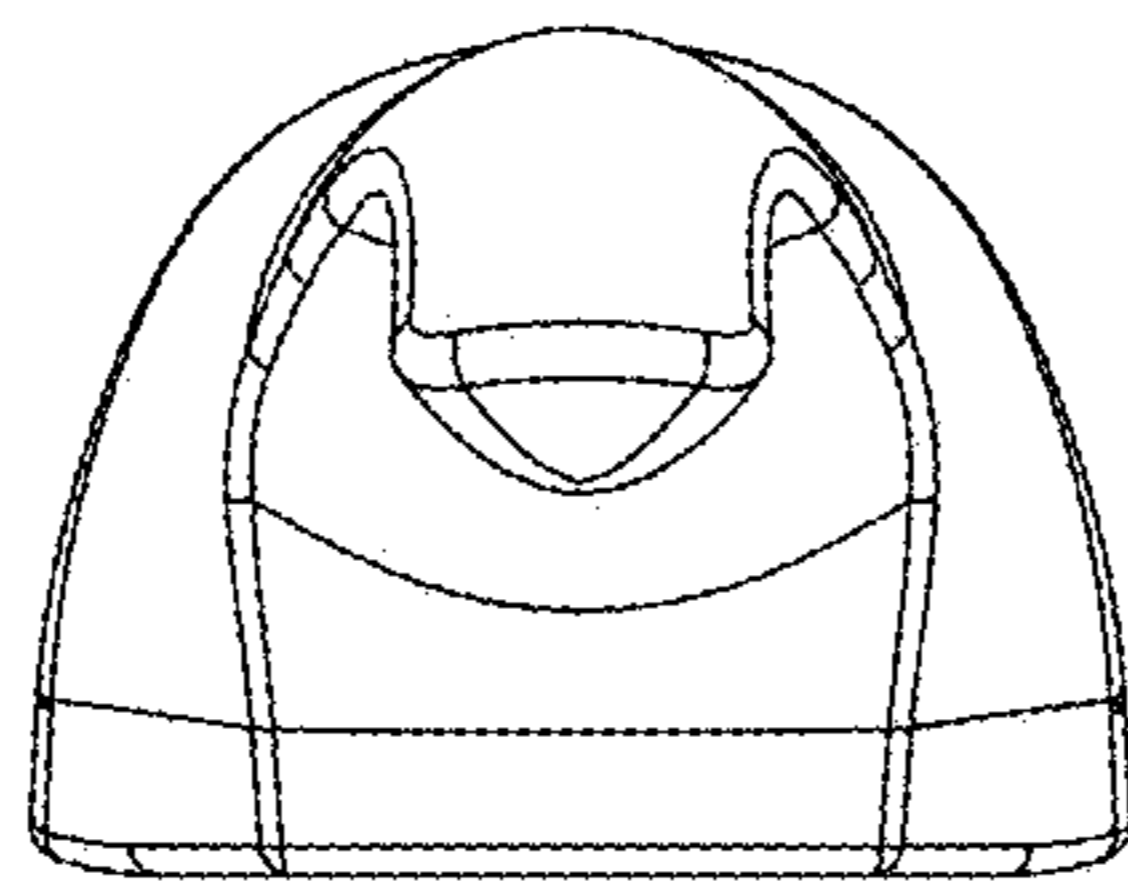


FIG - 7