

US00D967341S

(12) **United States Design Patent**
Yan

(10) **Patent No.:** **US D967,341 S**
(45) **Date of Patent:** **** Oct. 18, 2022**

(54) **SHOWER ARM SET**

(71) Applicant: **Xiamen Galenpoo Kitchen & Bathroom Technology Co., Ltd.**,
Xiamen (CN)

(72) Inventor: **Xiaoling Yan**, Xiamen (CN)

(**) Term: **15 Years**

(21) Appl. No.: **29/815,646**

(22) Filed: **Nov. 16, 2021**

(30) **Foreign Application Priority Data**

Sep. 6, 2021 (CN) 202130586160.X

(51) **LOC (13) Cl.** **23-01**

(52) **U.S. Cl.**
USPC **D23/249**

(58) **Field of Classification Search**
USPC D23/238–243, 249, 255, 257, 304, 266;
D8/307–308

See application file for complete search history.

(56) **References Cited**

U.S. PATENT DOCUMENTS

D347,262 S *	5/1994	Black	D23/230
D416,605 S *	11/1999	Loper	D23/228
D435,086 S *	12/2000	Loper	D23/283
D450,370 S *	11/2001	Wales	D23/213
D454,620 S *	3/2002	Starck	D23/283
D529,151 S *	9/2006	Macan	D23/304
D532,090 S	11/2006	Yu et al.	
D567,904 S *	4/2008	Schonherr	D23/228
D619,220 S *	7/2010	Semchuck	D23/238
D751,173 S *	3/2016	Bahler	D23/213
D751,667 S *	3/2016	Bahler	D23/213
9,739,040 B2 *	8/2017	Gnauert	E03C 1/0412

10,226,777 B2 *	3/2019	Quinn	F16K 11/085
D883,436 S *	5/2020	Kuang	D23/238
D912,774 S *	3/2021	Seum	D23/238
D936,791 S *	11/2021	Seum	D23/228
D945,567 S *	3/2022	Williams	D23/242
D958,301 S *	7/2022	Mai	D23/255

OTHER PUBLICATIONS

Danze 9" adjustable shower arm with flange, Build with Ferguson.
<https://www.build.com/product/summary/466875?uid=1022183> (Year: 2009).*

* cited by examiner

Primary Examiner — Robert A Delehanty

(57) **CLAIM**

The ornamental design for a shower arm set, as shown and described.

DESCRIPTION

FIG. 1 is a front and top perspective view of a shower arm set, showing my new design;

FIG. 2 is a rear and bottom perspective view thereof;

FIG. 3 is a front elevation view thereof;

FIG. 4 is a rear elevation view thereof;

FIG. 5 is a left side elevation view thereof;

FIG. 6 is a right side elevation view thereof;

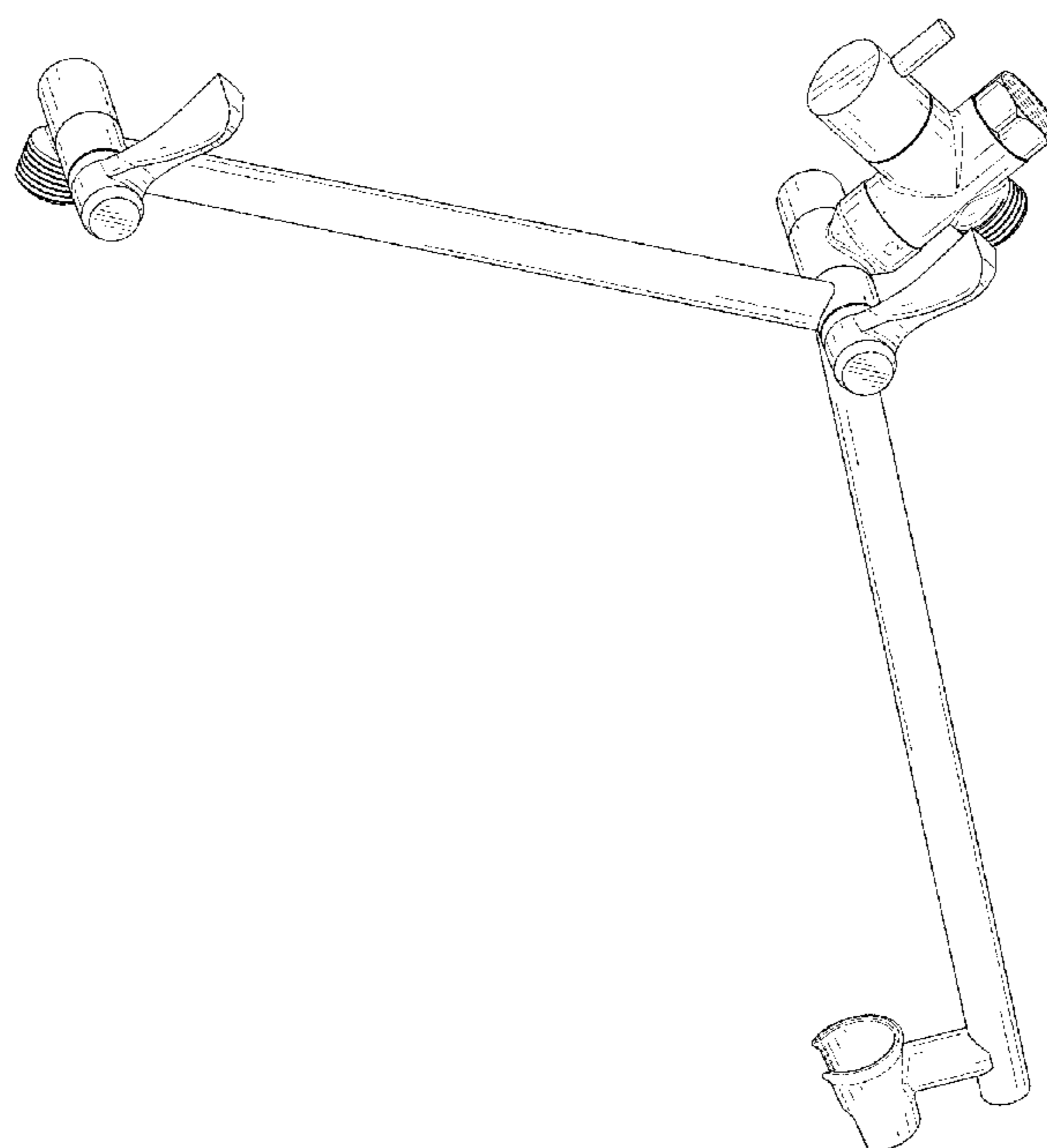
FIG. 7 is a top plan view thereof;

FIG. 8 is a bottom plan view thereof; and,

FIG. 9 is an enlarged view of a portion indicated with numeric 9 in FIG. 2.

The broken lines in the figures illustrate portions of the shower arm set that form no part of the claimed design. The dash dot dash lines in FIGS. 2 and 9 are for the purpose of depicting the boundary lines of the enlarged view and form no part of the claimed design.

1 Claim, 9 Drawing Sheets



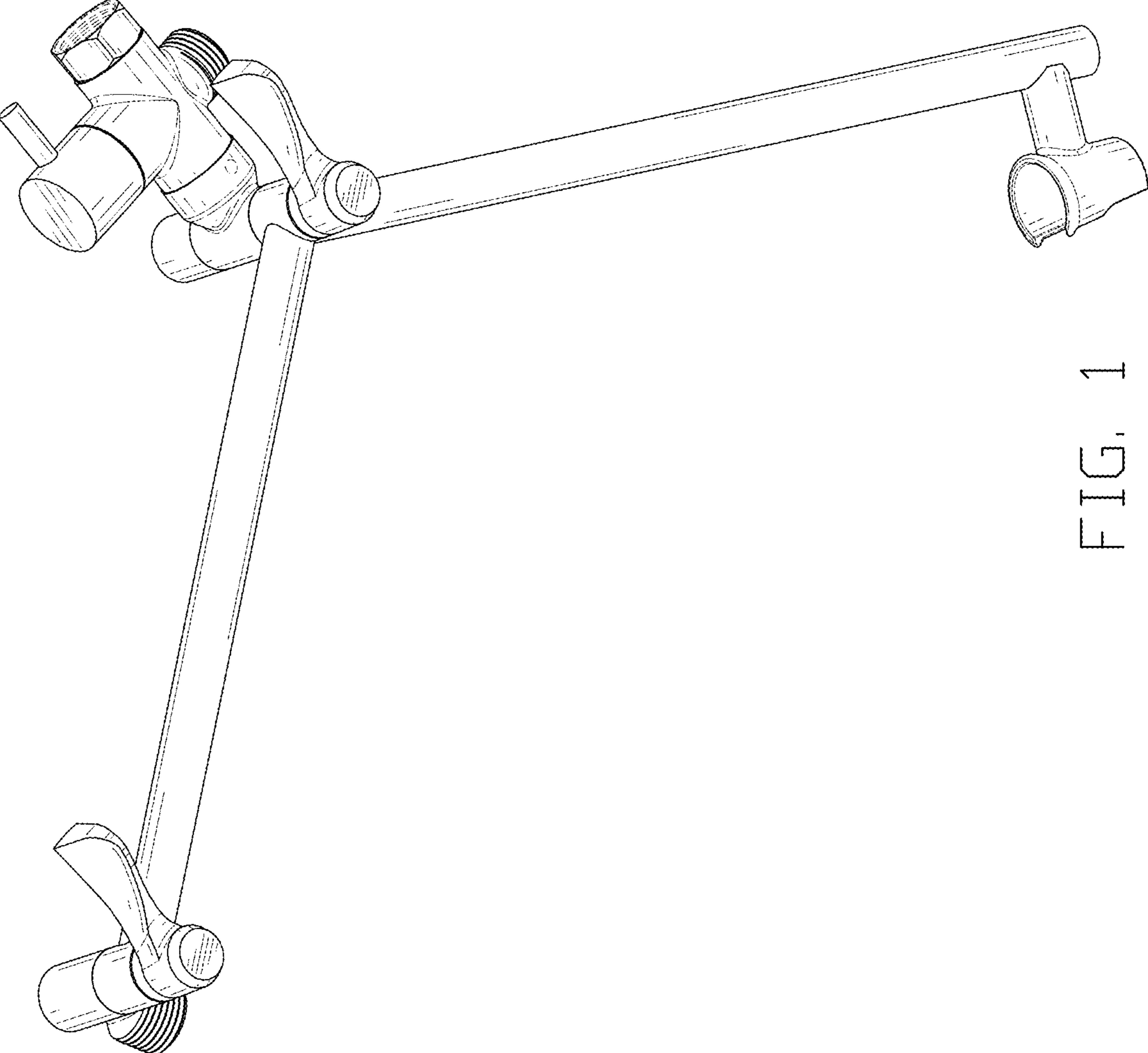


FIG. 1

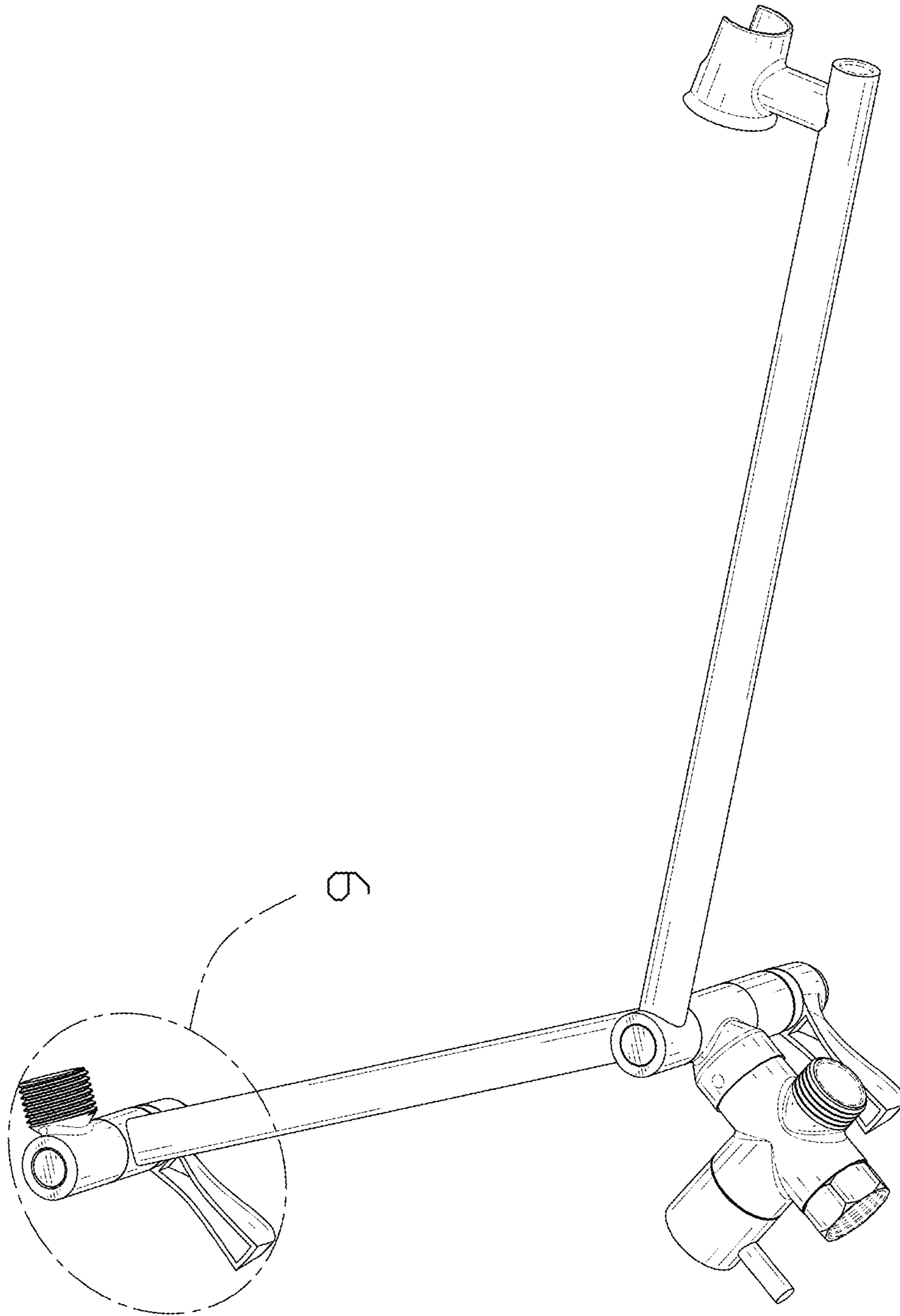


FIG. 2

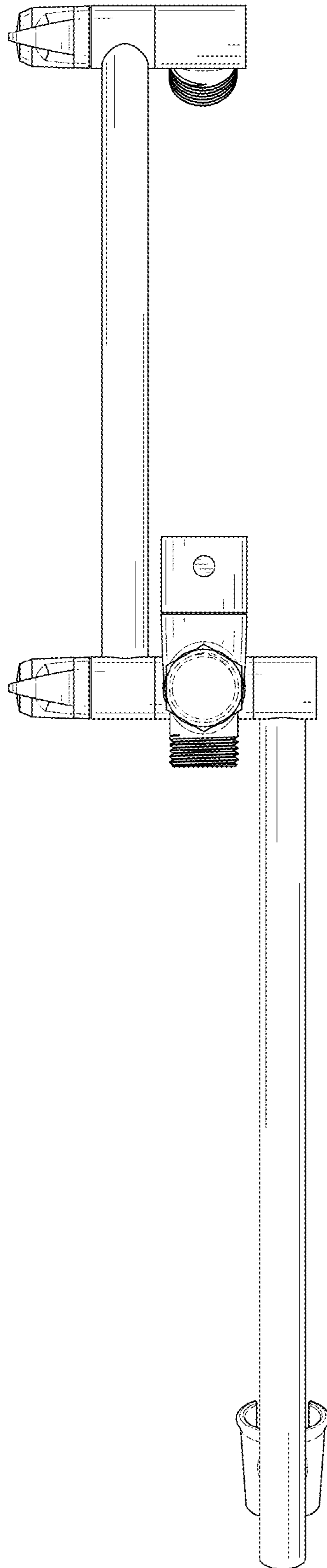


FIG. 3

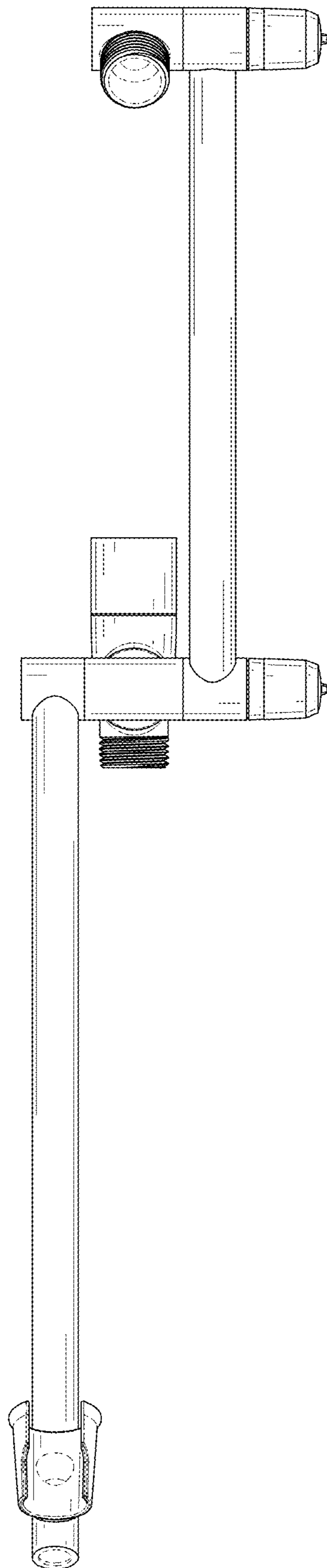


FIG. 4

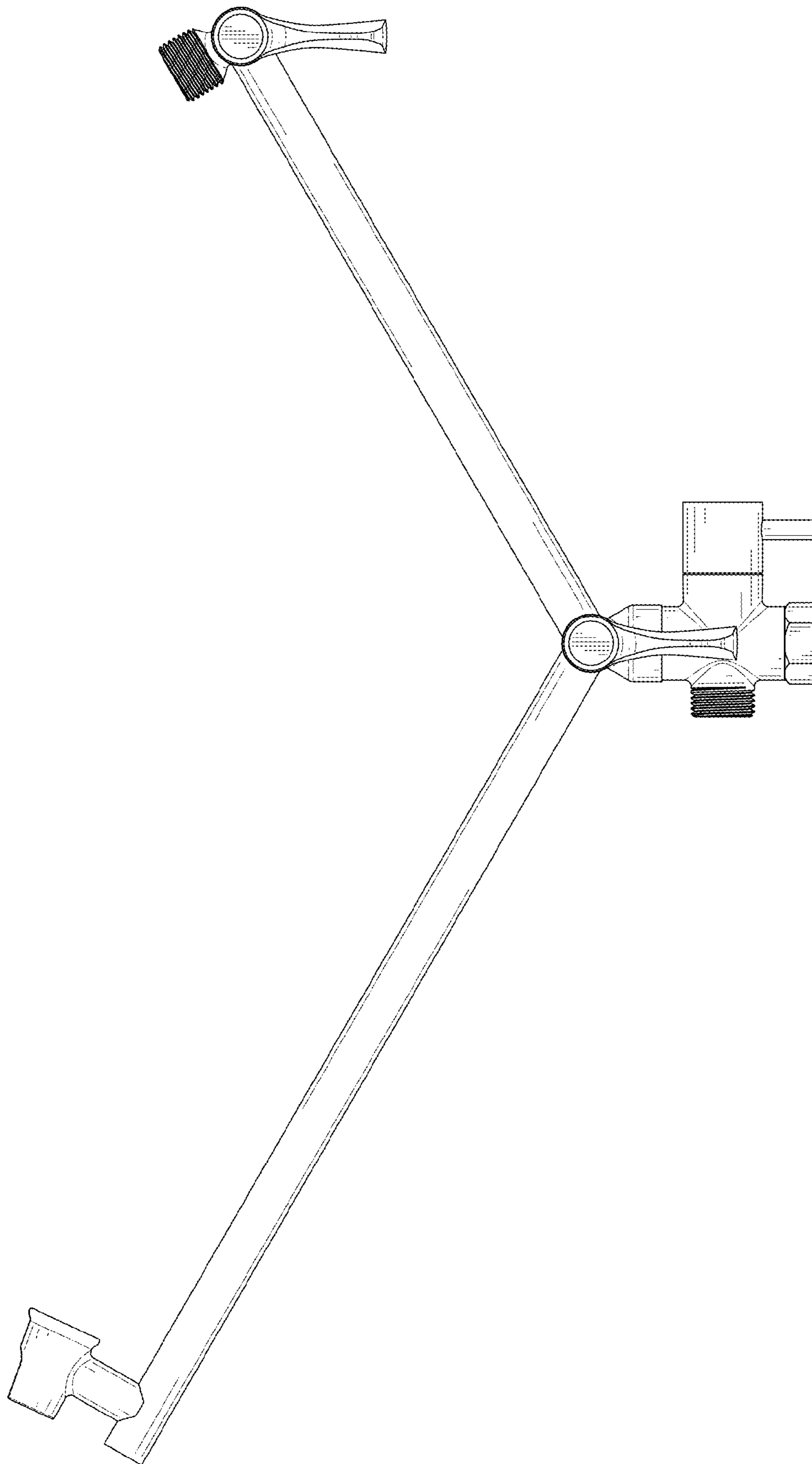


FIG. 5

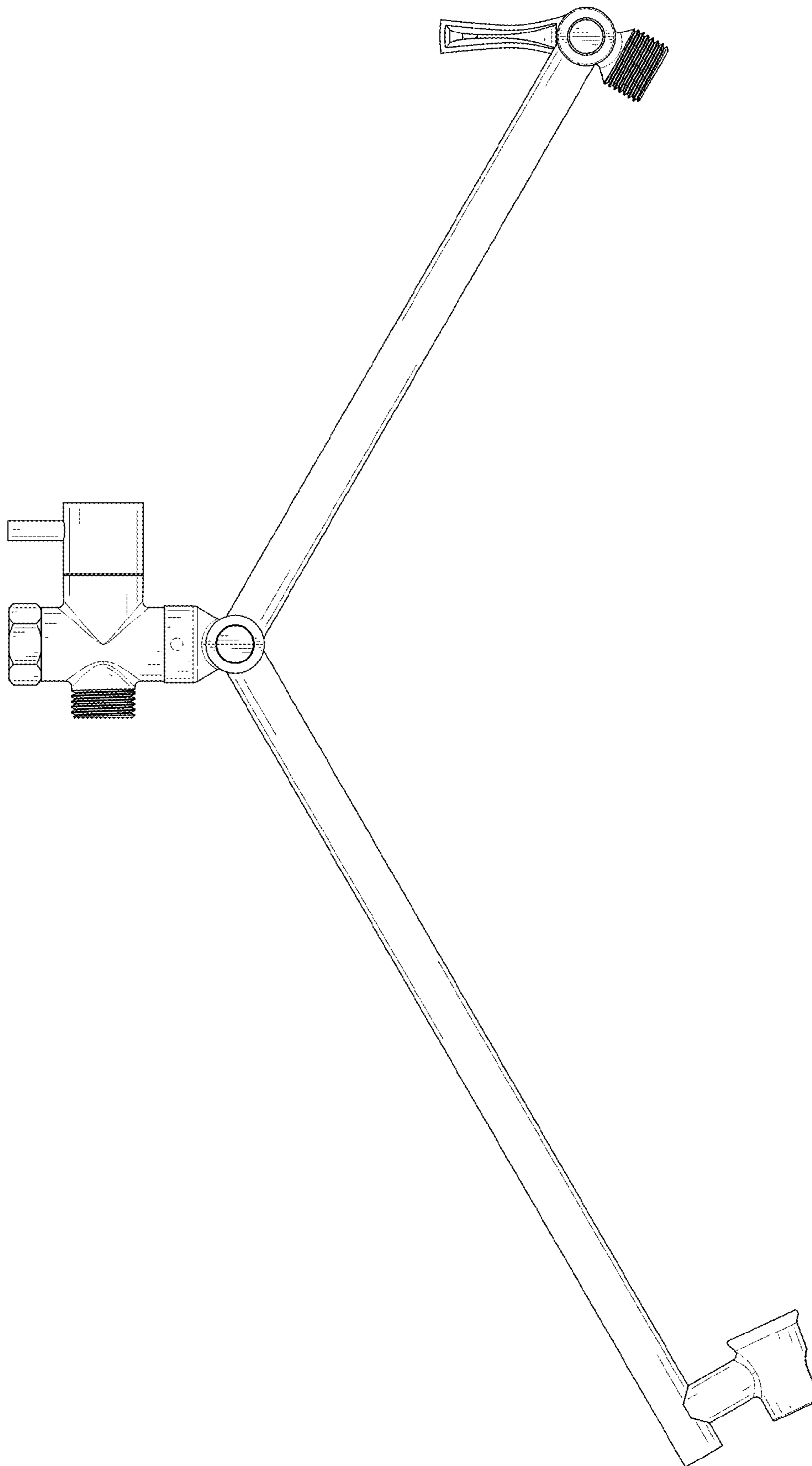


FIG. 6

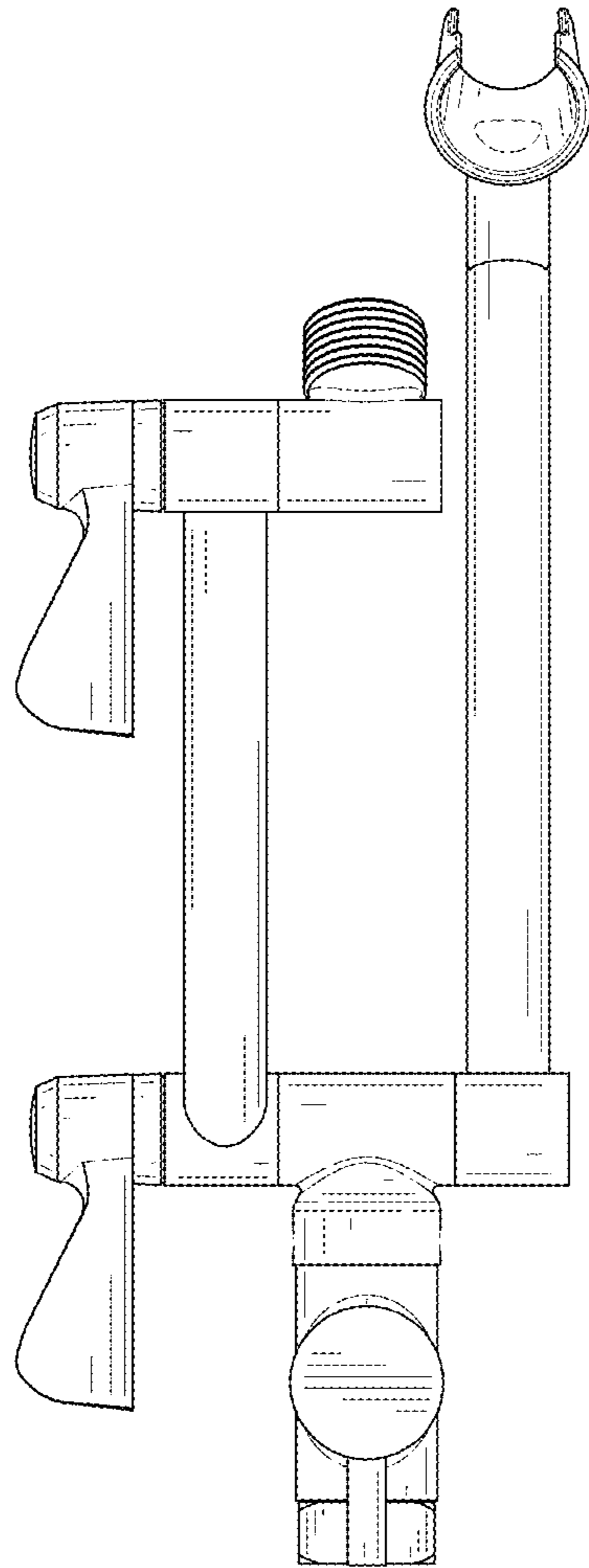


FIG. 7

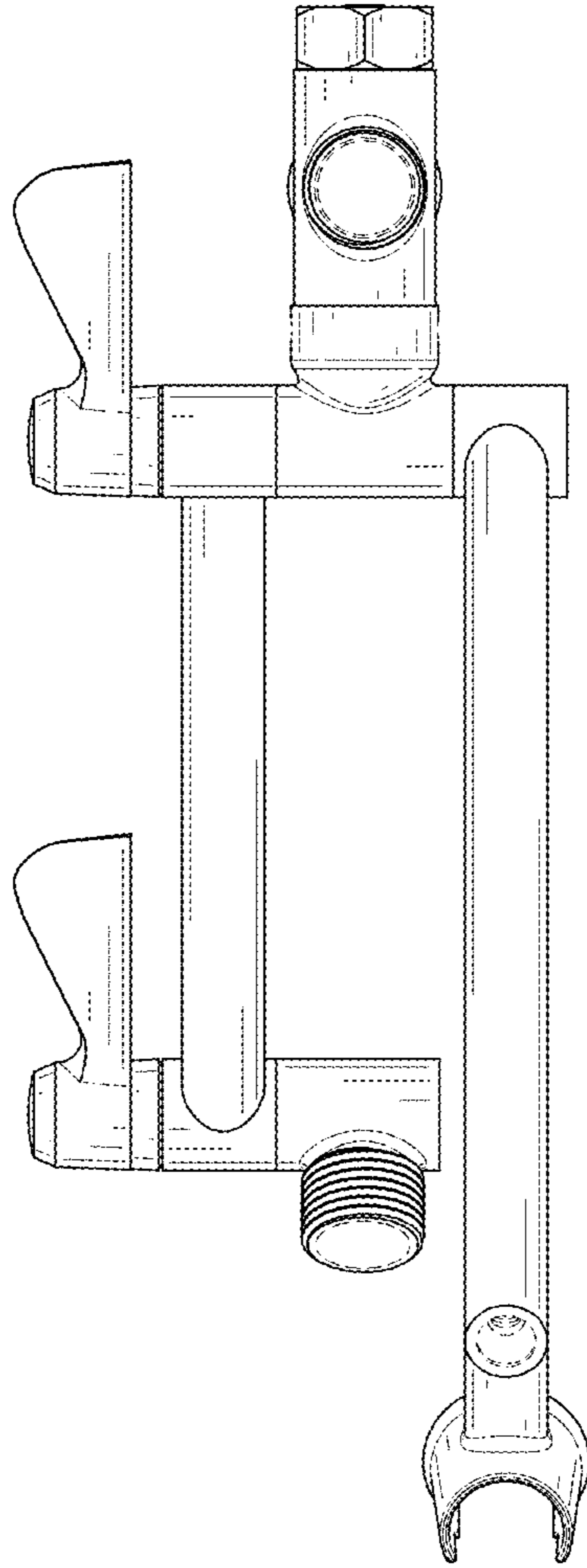


FIG. 8

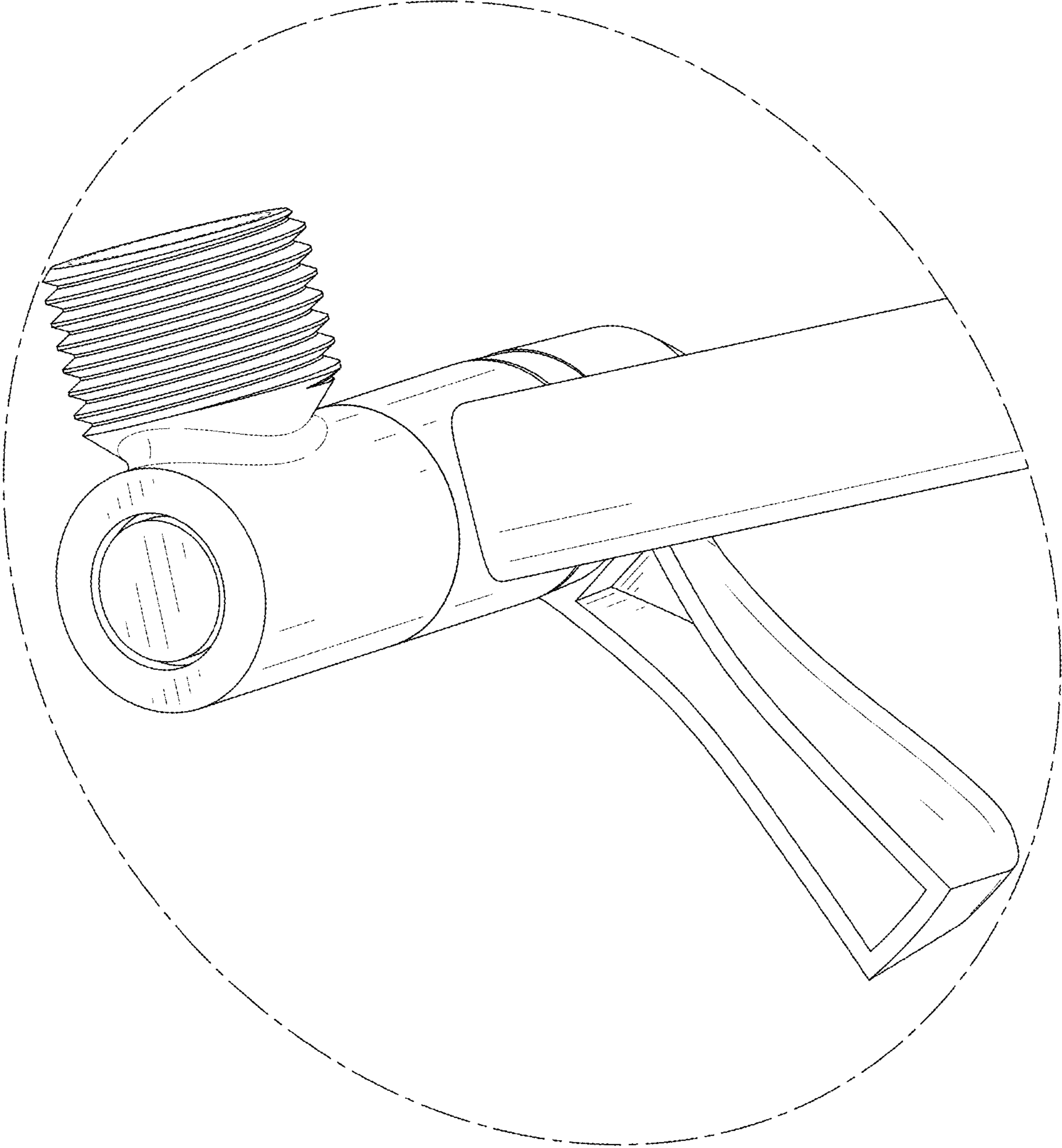


FIG. 9