

US00D967340S

(12) **United States Design Patent** (10) **Patent No.:** **US D967,340 S**  
**Guo** (45) **Date of Patent:** **\*\* Oct. 18, 2022**

(54) **FAUCET**

(71) Applicant: **Heshan Jiahaojia Sanitary Ware Industry Co., Ltd.**, Heshan (CN)

(72) Inventor: **Liangping Guo**, Ganzhou (CN)

(73) Assignee: **Heshan Jiahaojia Sanitary Ware Industry Co., Ltd.**, Heshan (CN)

(\*\*) Term: **15 Years**

(21) Appl. No.: **29/830,295**

(22) Filed: **Mar. 11, 2022**

(51) **LOC (13) Cl.** ..... **23-01**

(52) **U.S. Cl.**  
USPC ..... **D23/241**

(58) **Field of Classification Search**  
USPC ..... D23/238–243, 250, 252, 254–255, 257;  
D8/307–308

See application file for complete search history.

(56) **References Cited**

**U.S. PATENT DOCUMENTS**

D290,159 S *	6/1987	Jans	.....	D23/242
D299,159 S *	12/1988	Arnolds	.....	D23/242
D767,727 S *	9/2016	Eads	.....	D23/242
D846,705 S	4/2019	Garland		
D867,543 S	11/2019	Garland		
D924,369 S *	7/2021	Zeng	.....	D23/242
D961,052 S *	8/2022	Mai	.....	D23/241
D961,053 S *	8/2022	Zhu	.....	D23/242

**OTHER PUBLICATIONS**

Milly Modern 2-Handle Deck Mounted Waterfall Widespread Bathroom Sink Faucet, Homory.com. <https://www.homary.com/item/>

milly-modern-2handle-deck-mounted-waterfall-widespread-bathroom-sink-faucet-11169.html (Year: 2021).\*  
Brushed Nickel Waterfall Bathroom Faucet—Amazon.com [https://www.amazon.com/Brushed-Nickel-Waterfall-Bathroom-Faucet/dp/B09Q1ZTGC7/ref=sr\\_1\\_3?crd=3T275FFZONIM7&keywords=Brushed%2BNickel%2BWaterfall%2BBathroom%2BFaucet%2B-%2BWidespread%2BBathroom%2BFaucets%2Bfor%2BSink%2B3%2BHole%2C%2B2-Handles%2B8%2BInch%2BBathroom%2B](https://www.amazon.com/Brushed-Nickel-Waterfall-Bathroom-Faucet/dp/B09Q1ZTGC7/ref=sr_1_3?crd=3T275FFZONIM7&keywords=Brushed%2BNickel%2BWaterfall%2BBathroom%2BFaucet%2B-%2BWidespread%2BBathroom%2BFaucets%2Bfor%2BSink%2B3%2BHole%2C%2B2-Handles%2B8%2BInch%2BBathroom%2B) (Year: 2022).\*

\* cited by examiner

*Primary Examiner* — Robert A Delehanty

(74) *Attorney, Agent, or Firm* — Georgi Korobanov

(57) **CLAIM**

The ornamental design for a faucet, as shown and described.

**DESCRIPTION**

FIG. 1 is a perspective view of a faucet, showing my new design;

FIG. 2 is another perspective view thereof;

FIG. 3 is a front view thereof

FIG. 4 is a rear view thereof;

FIG. 5 is a left side view thereof;

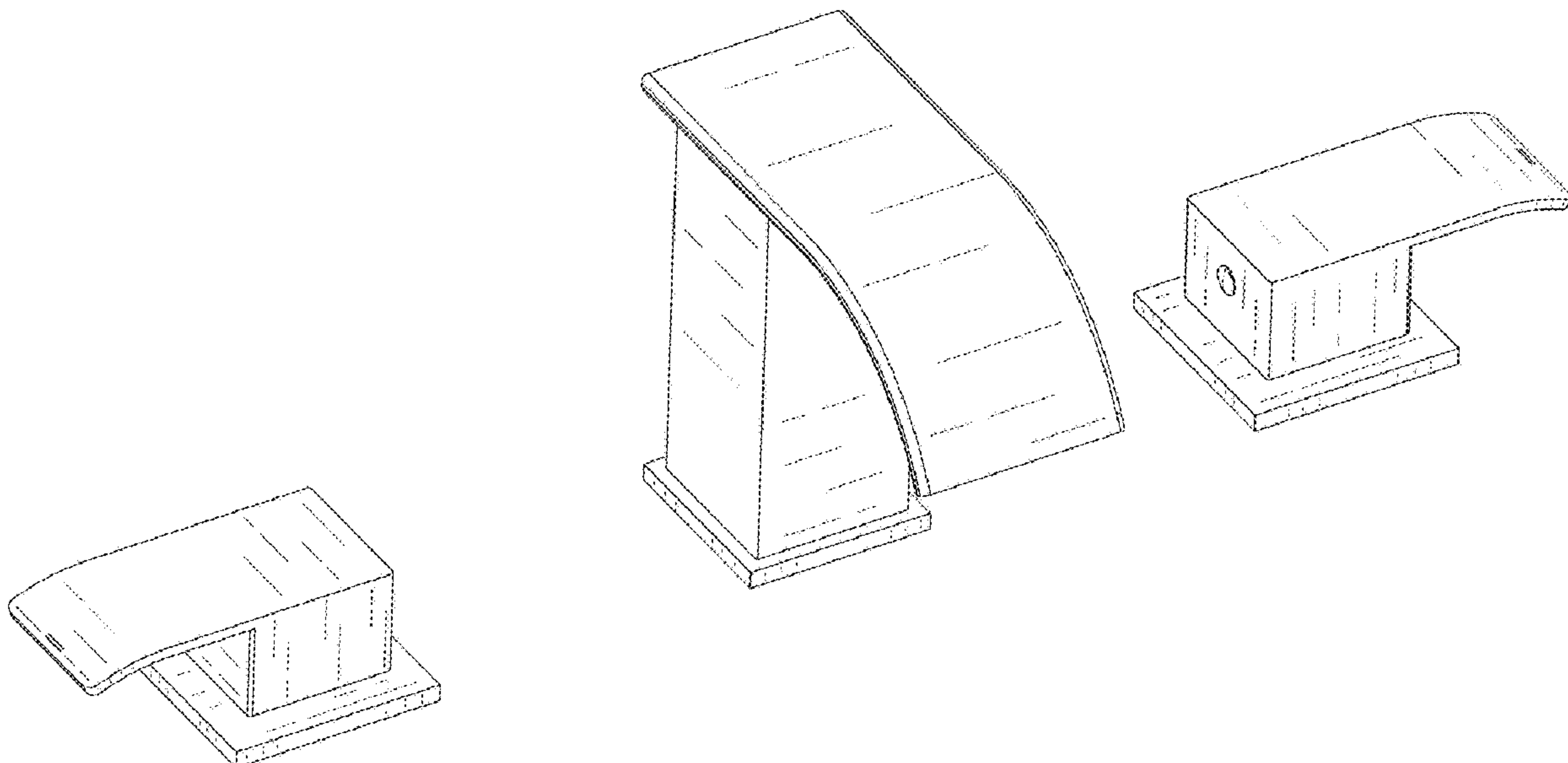
FIG. 6 is a right side view thereof;

FIG. 7 is a top plan view thereof; and,

FIG. 8 is a bottom plan view thereof.

The broken lines shown in the drawings illustrate portions of the faucet that form no part of the claimed design.

**1 Claim, 8 Drawing Sheets**



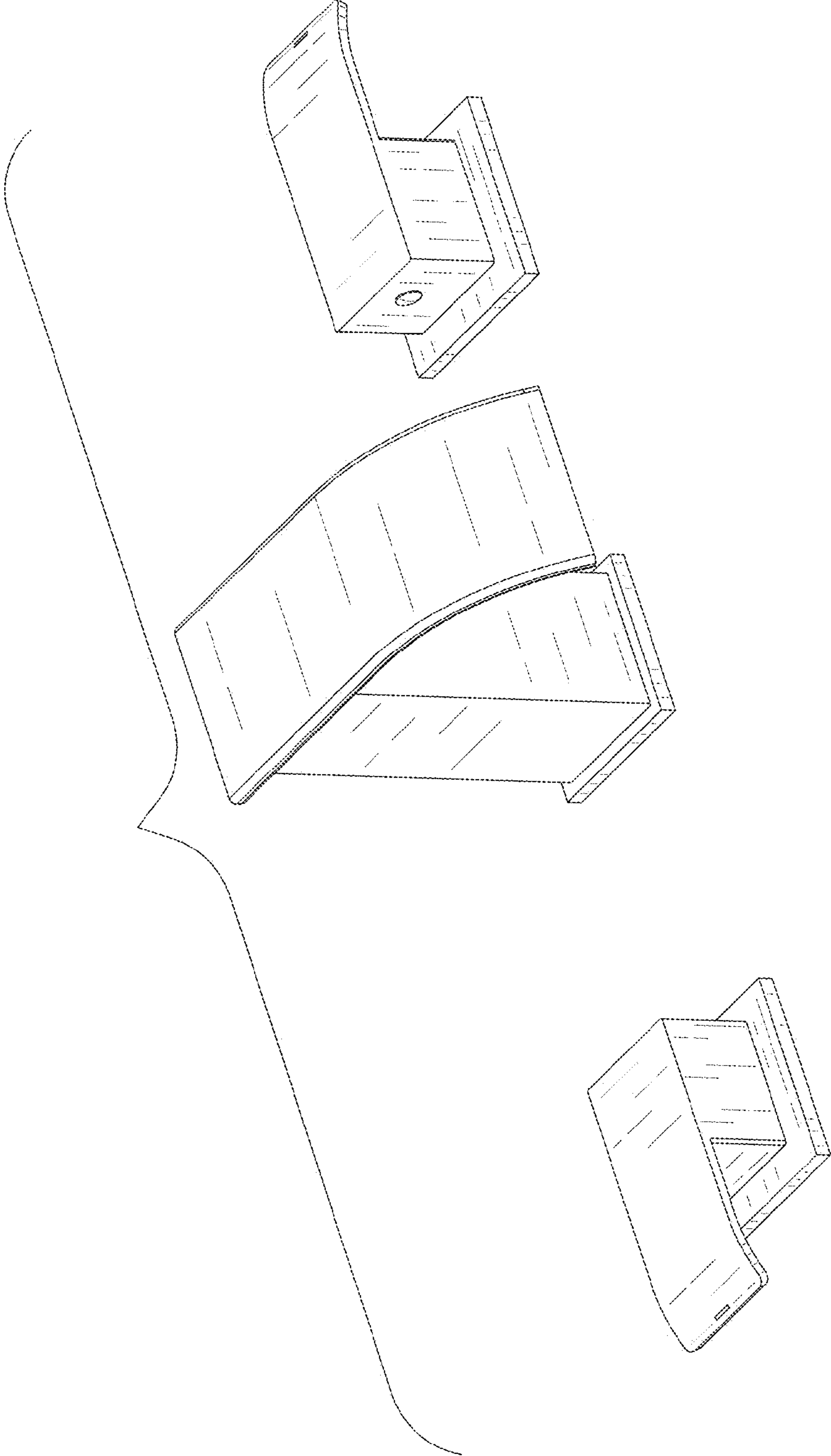


FIG. 1

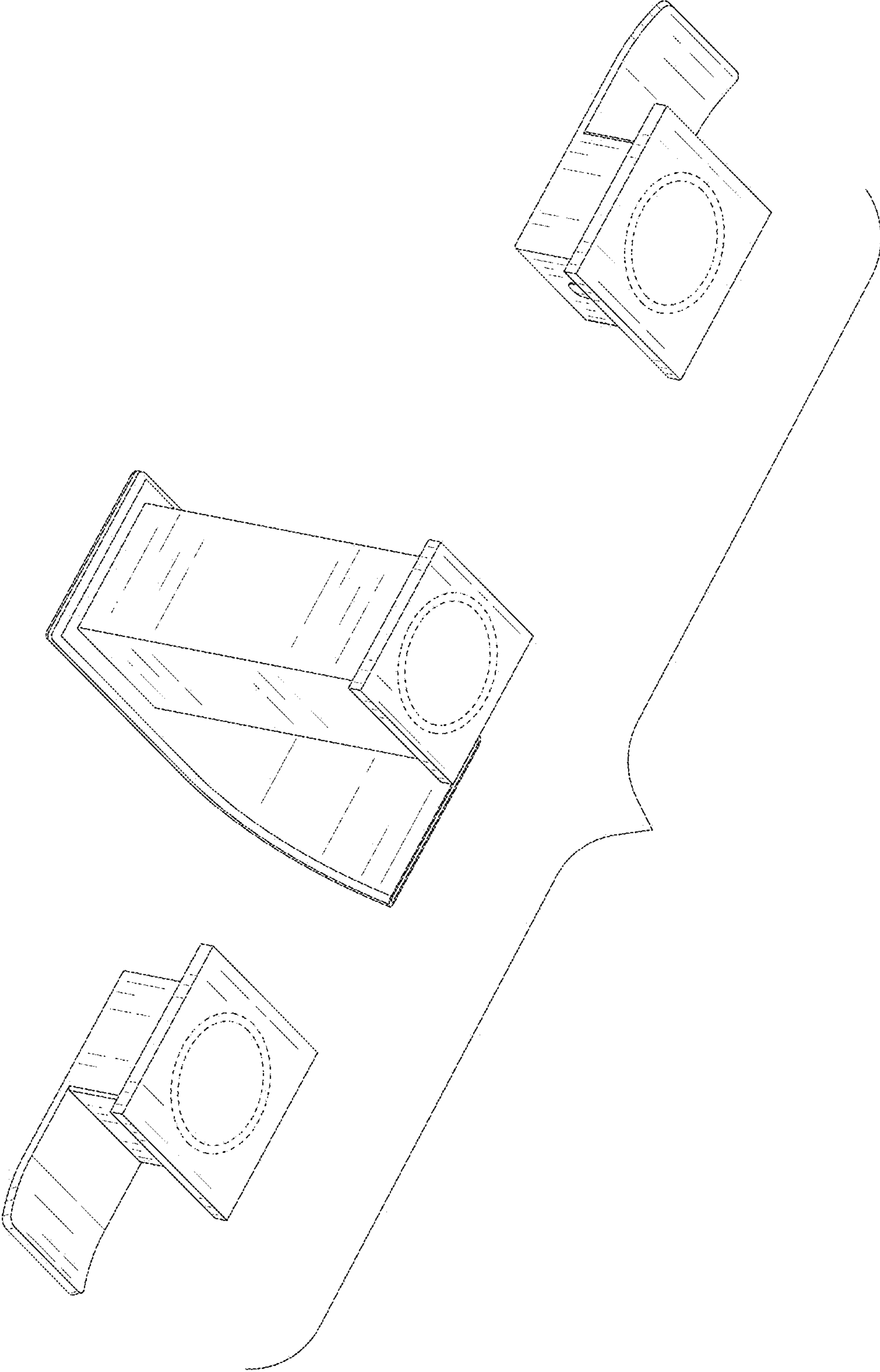


FIG. 2

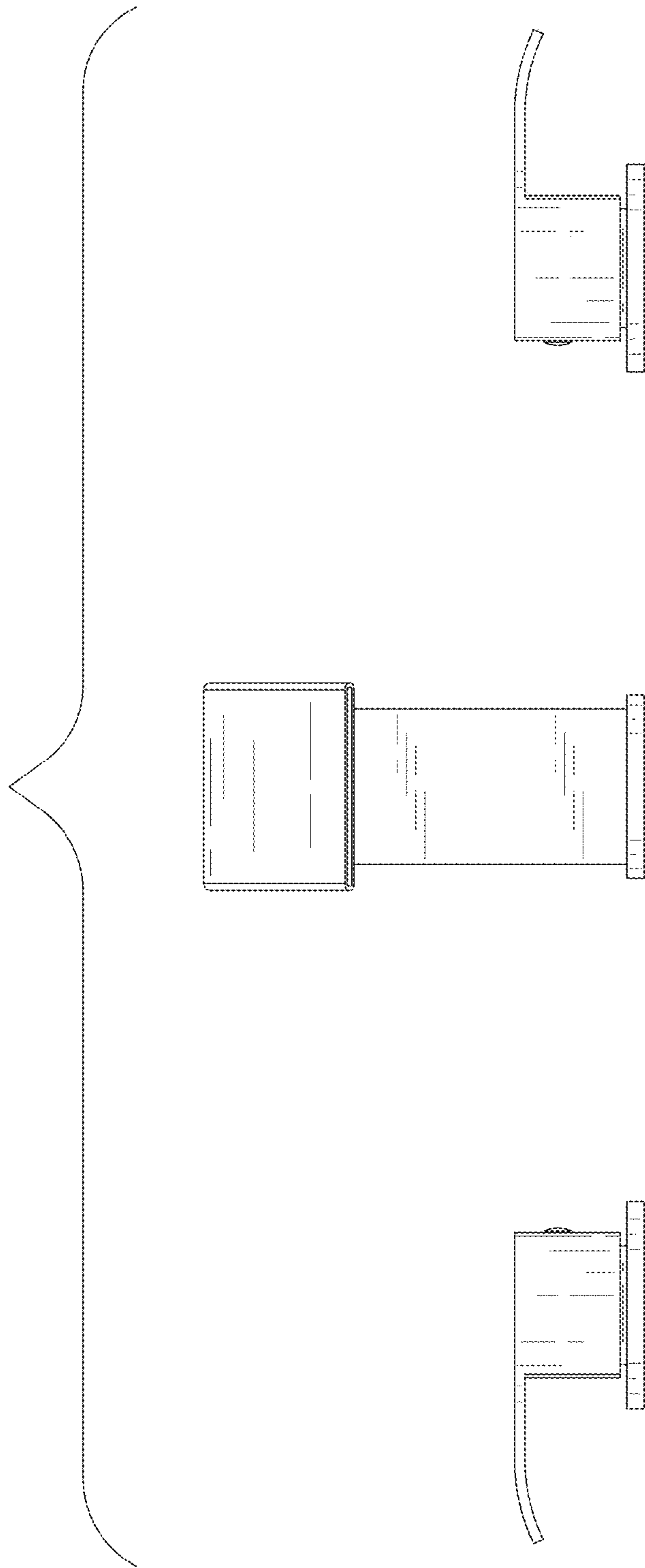


FIG. 3

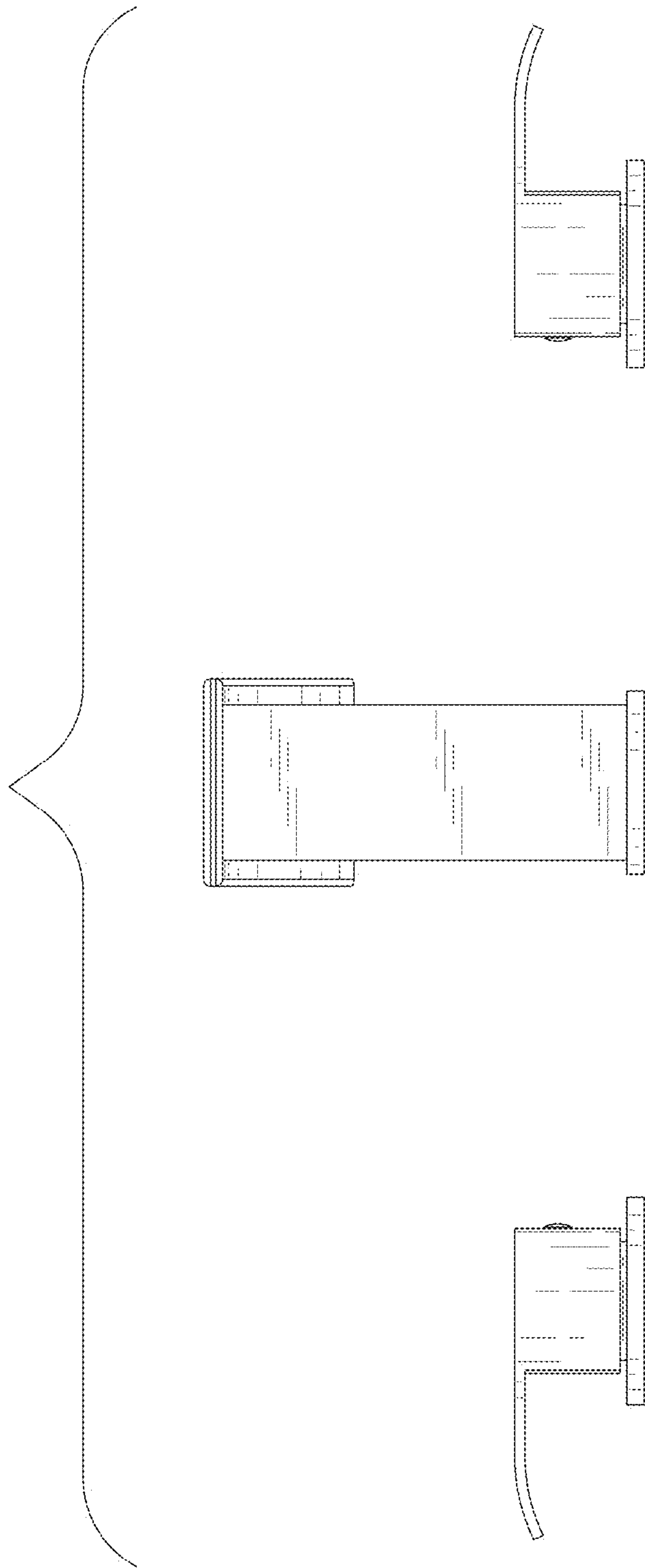


FIG. 4

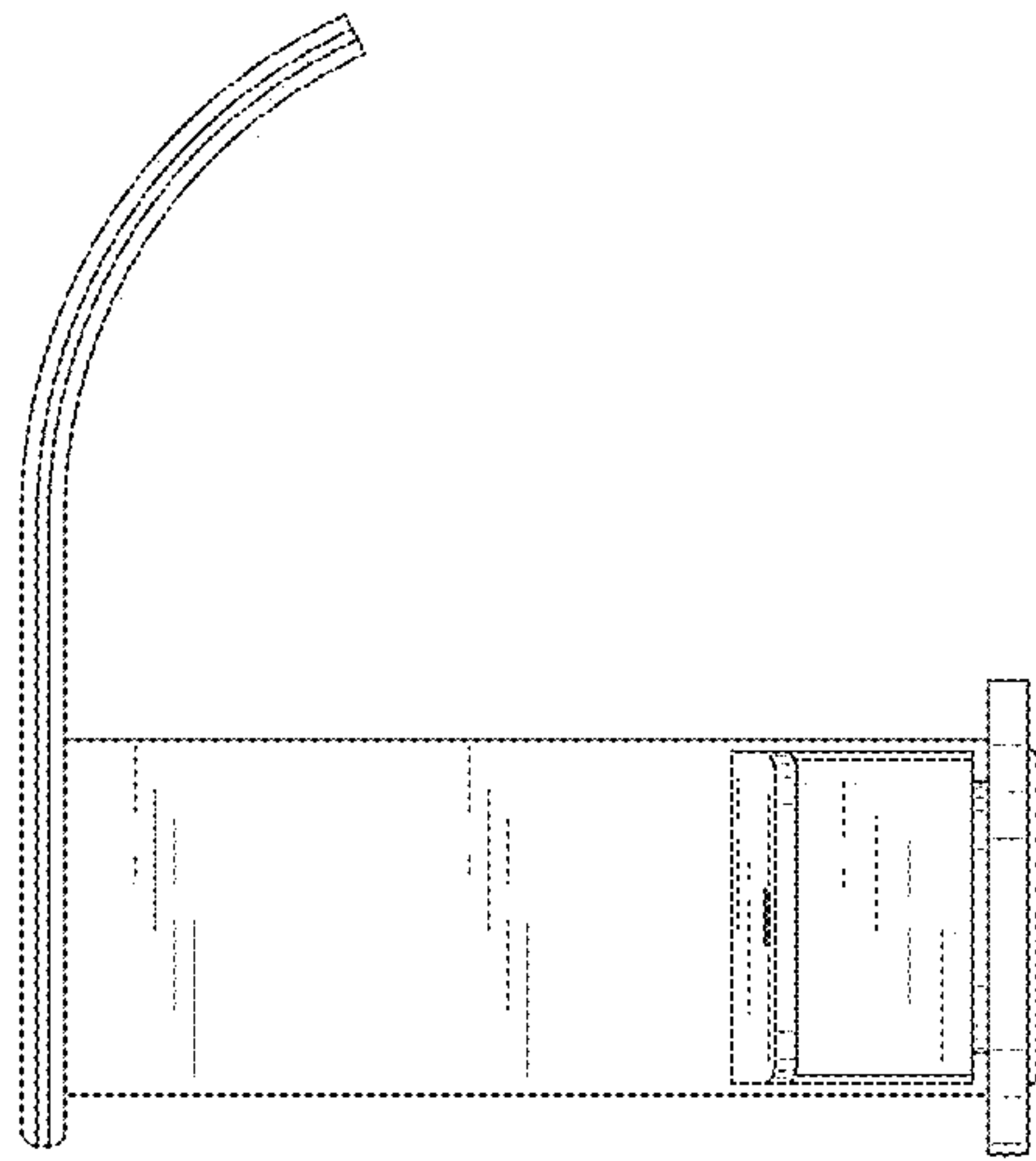


FIG. 5

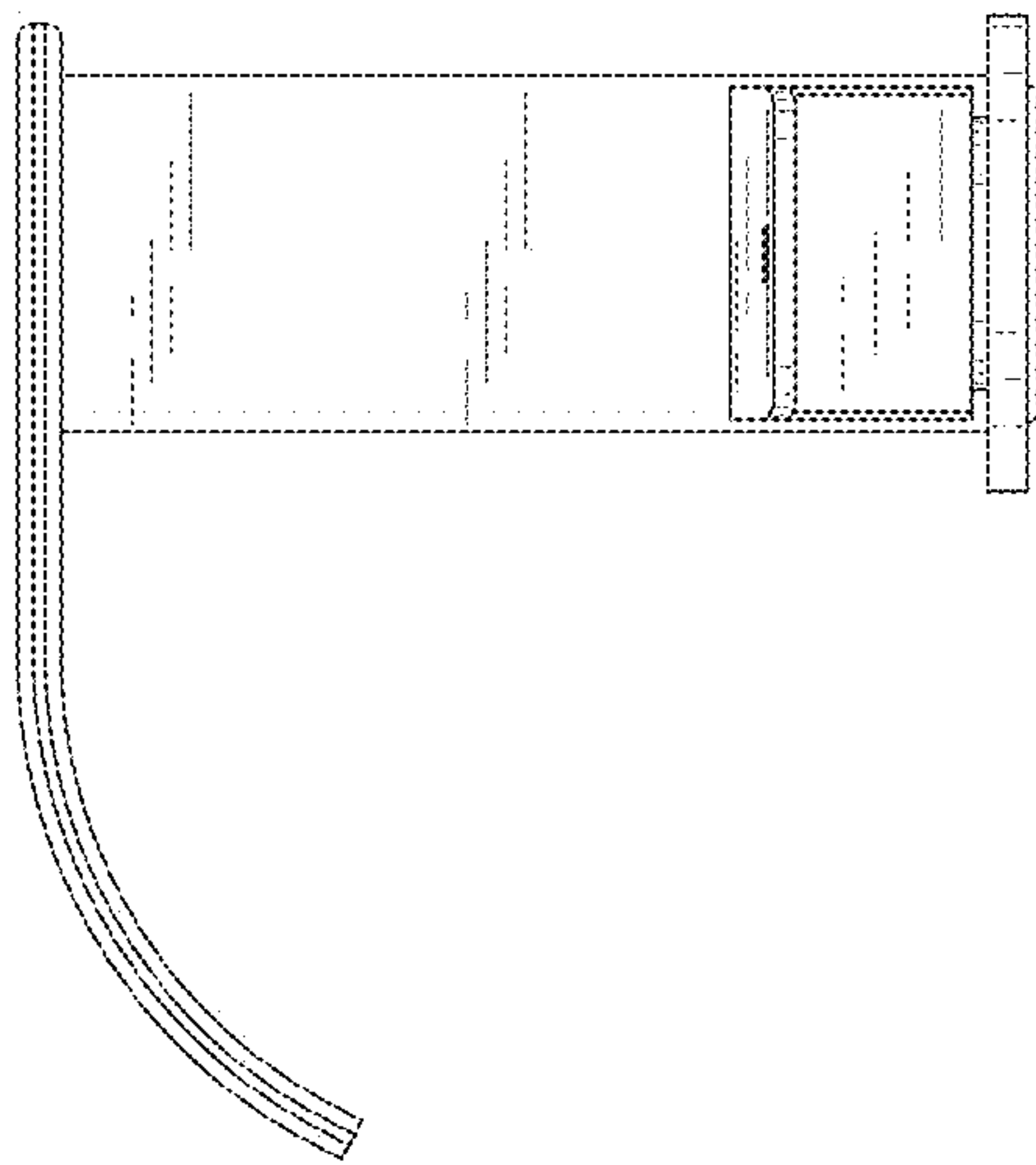


FIG. 6



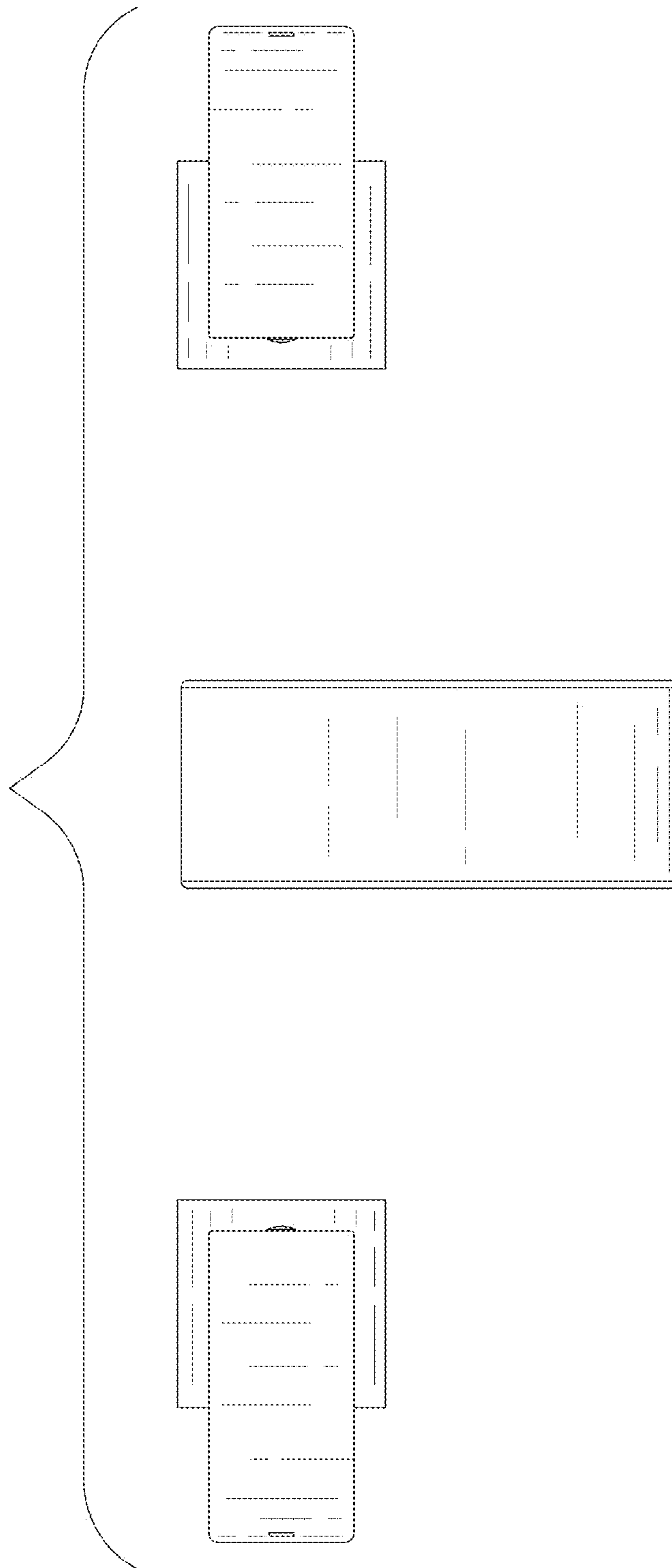


FIG. 7



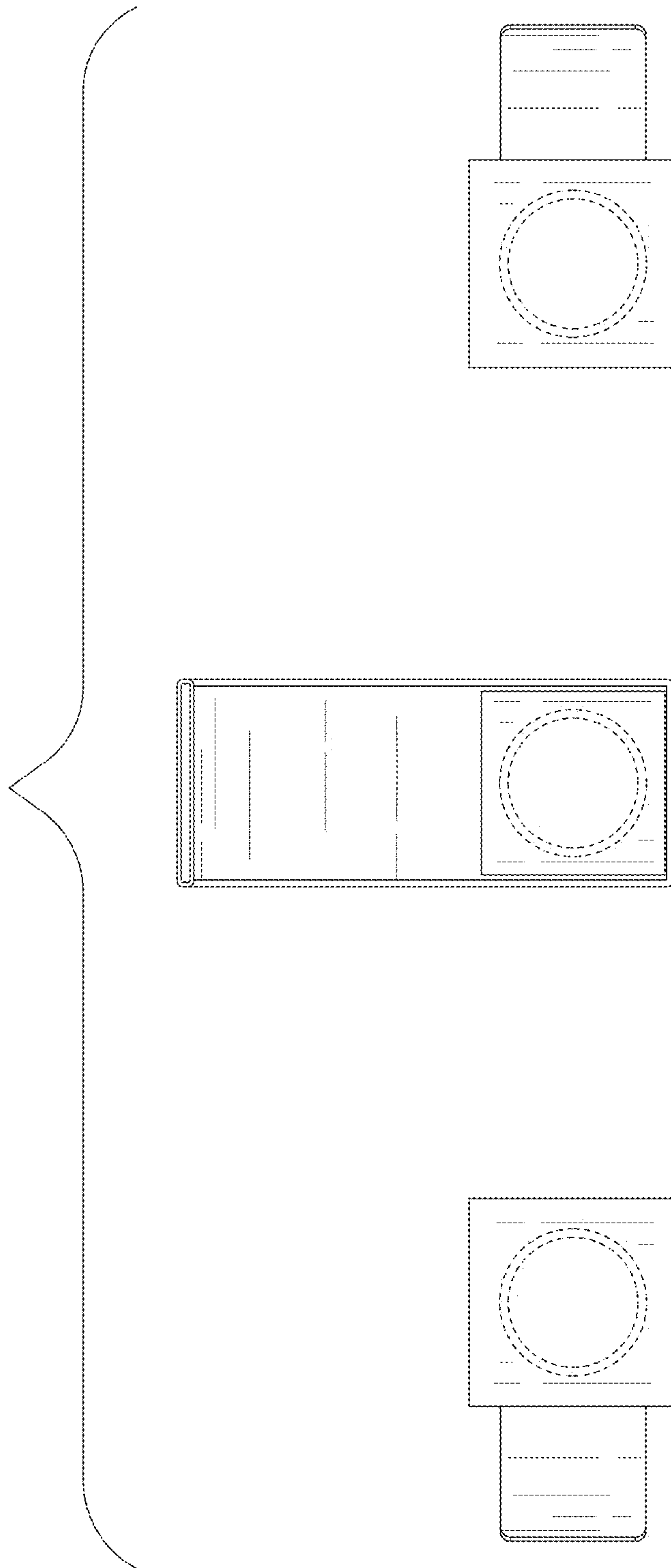


FIG. 8