



US00D967339S

(12) **United States Design Patent**
Zhang

(10) **Patent No.:** **US D967,339 S**

(45) **Date of Patent:** **** Oct. 18, 2022**

(54) **FAUCET**

(71) Applicant: **Dequn Zhang**, Zunyi (CN)

(72) Inventor: **Dequn Zhang**, Zunyi (CN)

(**) Term: **15 Years**

(21) Appl. No.: **29/812,531**

(22) Filed: **Oct. 22, 2021**

(51) **LOC (13) Cl.** **23-01**

(52) **U.S. Cl.**
USPC **D23/238**

(58) **Field of Classification Search**
USPC D23/238–243, 250, 252, 254–255, 257;
D8/307–308

See application file for complete search history.

(56) **References Cited**

U.S. PATENT DOCUMENTS

D667,932 S *	9/2012	Kulig	D23/238
D708,710 S *	7/2014	Yu	D23/238
D800,873 S *	10/2017	Jewell	D23/238
D810,241 S *	2/2018	Bennett	D23/238
D820,958 S *	6/2018	Gage	D23/238
D855,769 S *	8/2019	Eads	
D870,238 S *	12/2019	Gage	D23/238
D874,614 S *	2/2020	Lazarini	
D913,444 S *	3/2021	Cai	D23/238
D914,146 S *	3/2021	Levi	D23/238

OTHER PUBLICATIONS

FocalDECOR: Ellie—Modern Curved Waterfall Faucet. <https://focaldecor.com/products/ellie-modern-curved-waterfall-faucet> (Year: 2022).*

Design Faucets: Bandini Idri faucet. <https://www.trendir.com/design-faucets-new-bathroom-faucets-from-bandini-will-make-you-want-them/> (Year: 2017).*

* cited by examiner

Primary Examiner — Robert A Delehanty

(57) **CLAIM**

The ornamental design for a faucet, as shown and described.

DESCRIPTION

FIG. 1 is a perspective view of a faucet showing my new design;

FIG. 2 is another perspective view thereof;

FIG. 3 is a front elevational view thereof

FIG. 4 is a rear elevational view thereof;

FIG. 5 is a left side elevational view thereof;

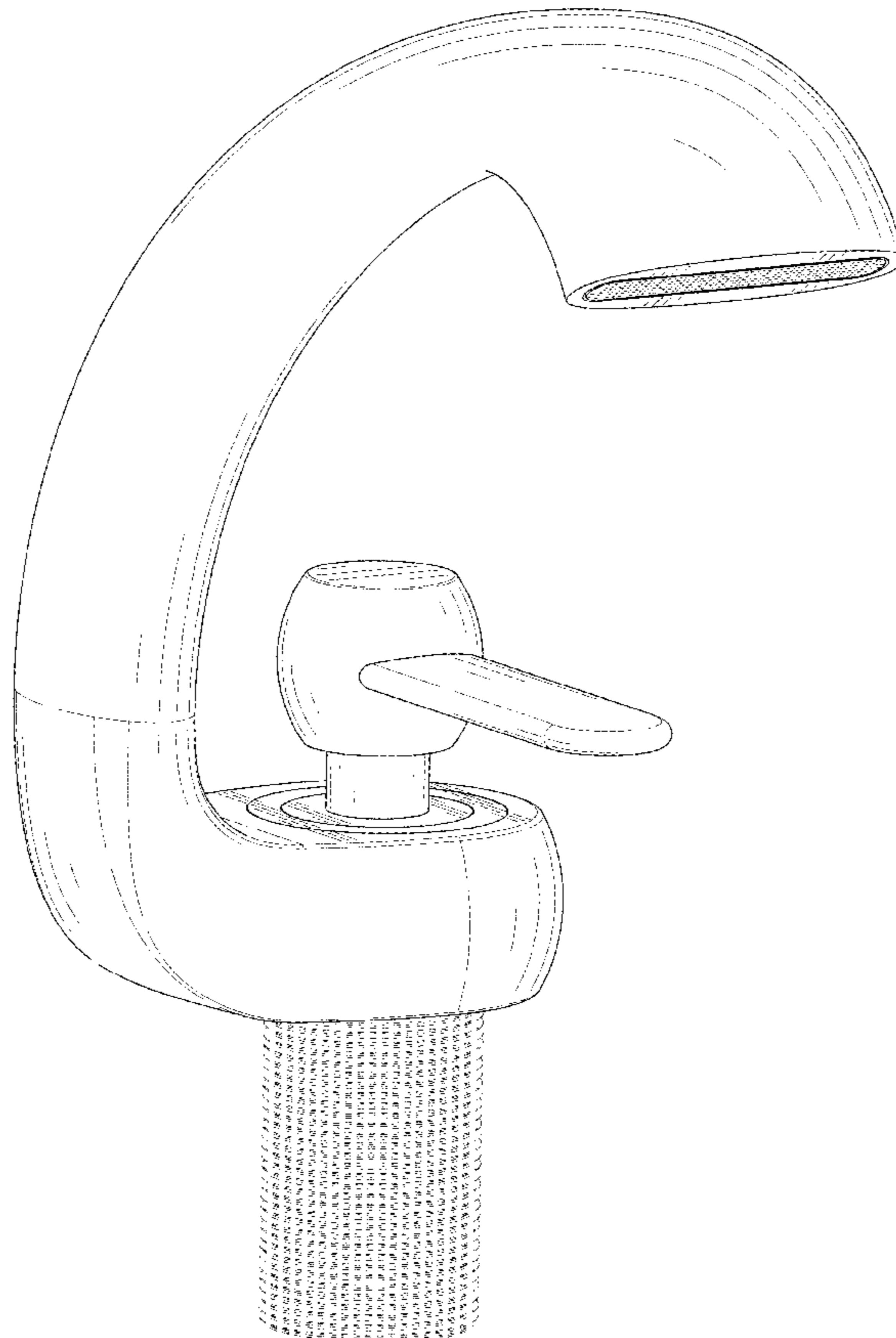
FIG. 6 is a right side elevational view thereof;

FIG. 7 is a top plan view thereof; and,

FIG. 8 is a bottom plan view thereof.

The broken lines in the drawings depict portions of the faucet that form no part of the claimed design.

1 Claim, 8 Drawing Sheets



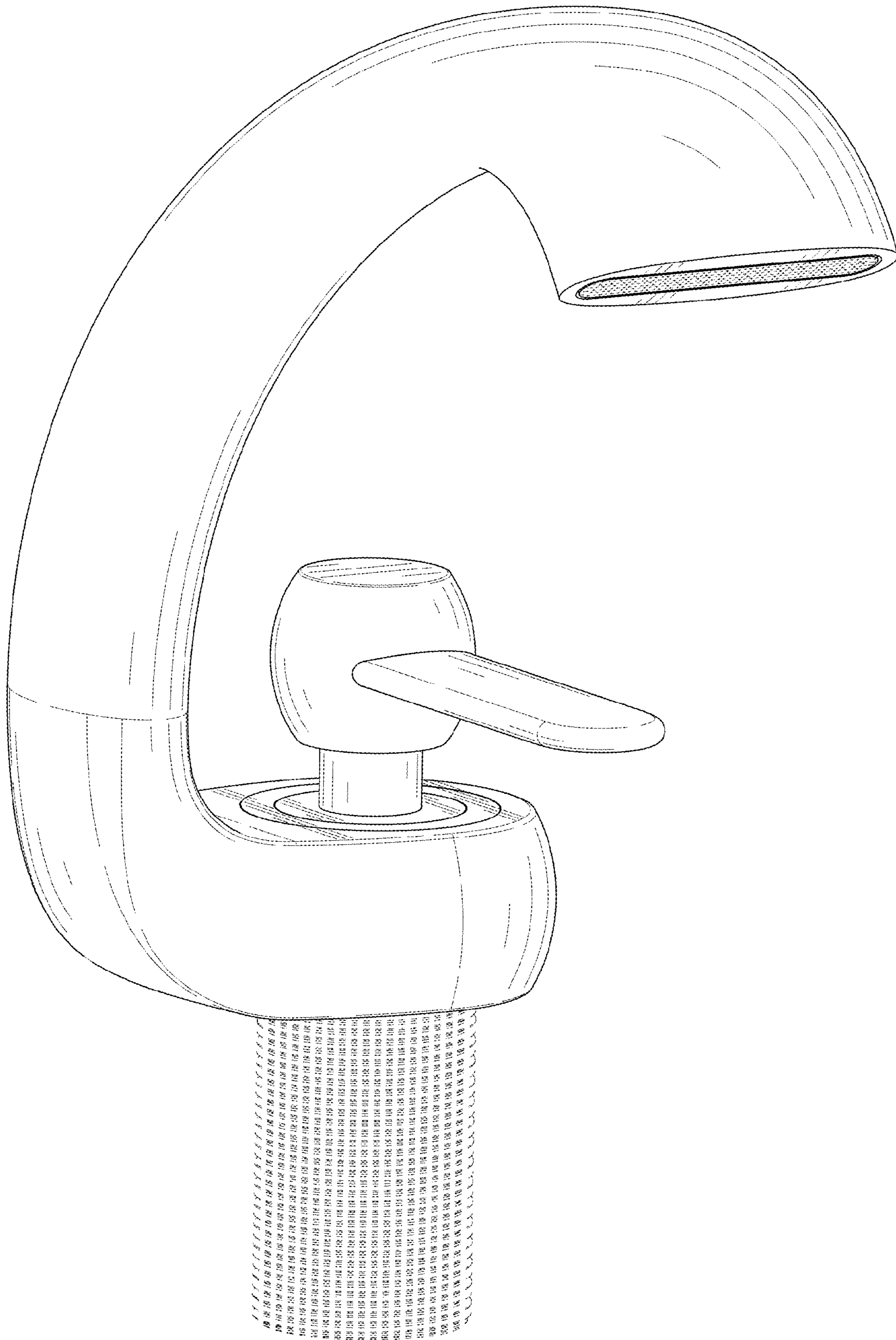


FIG. 1

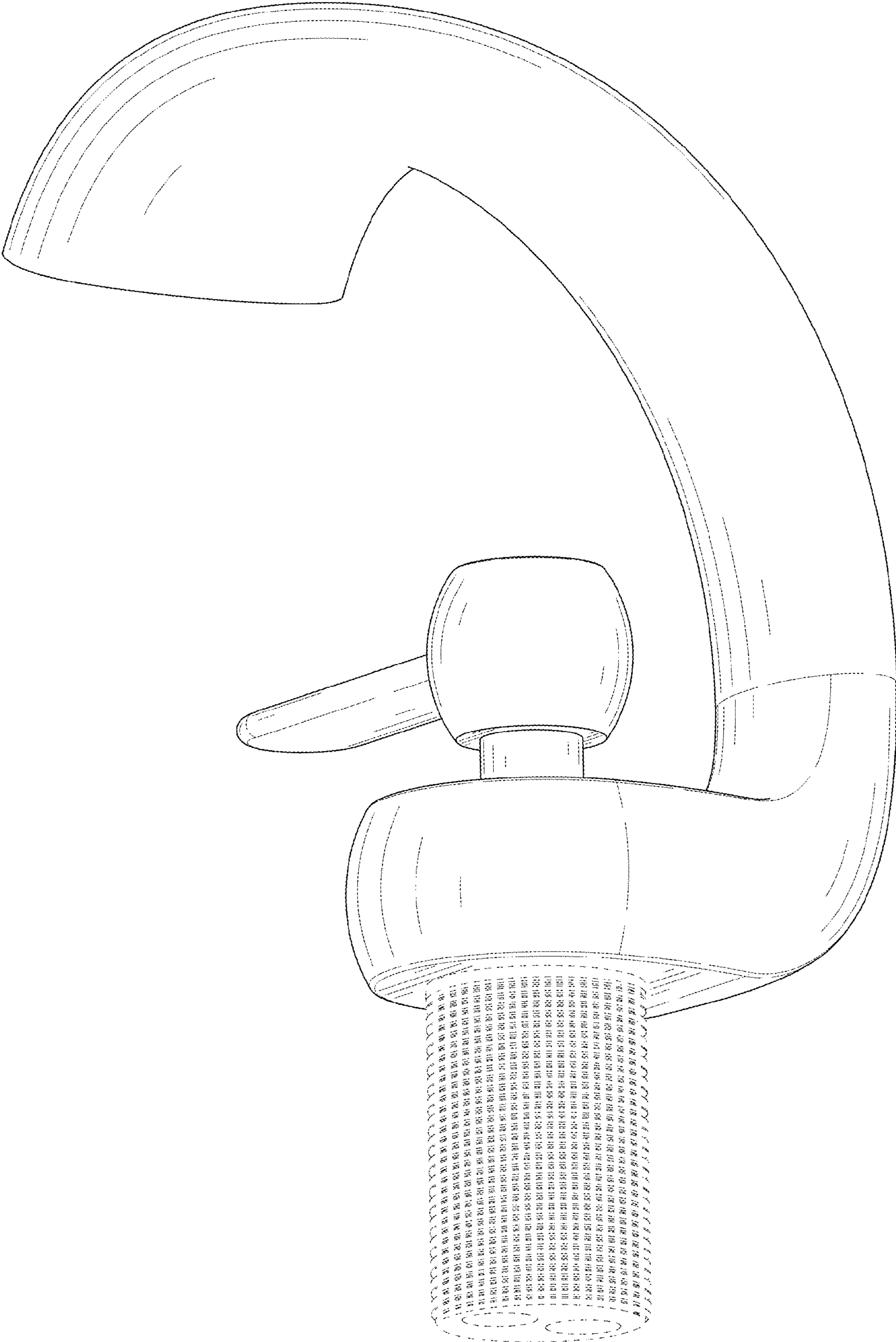


FIG. 2

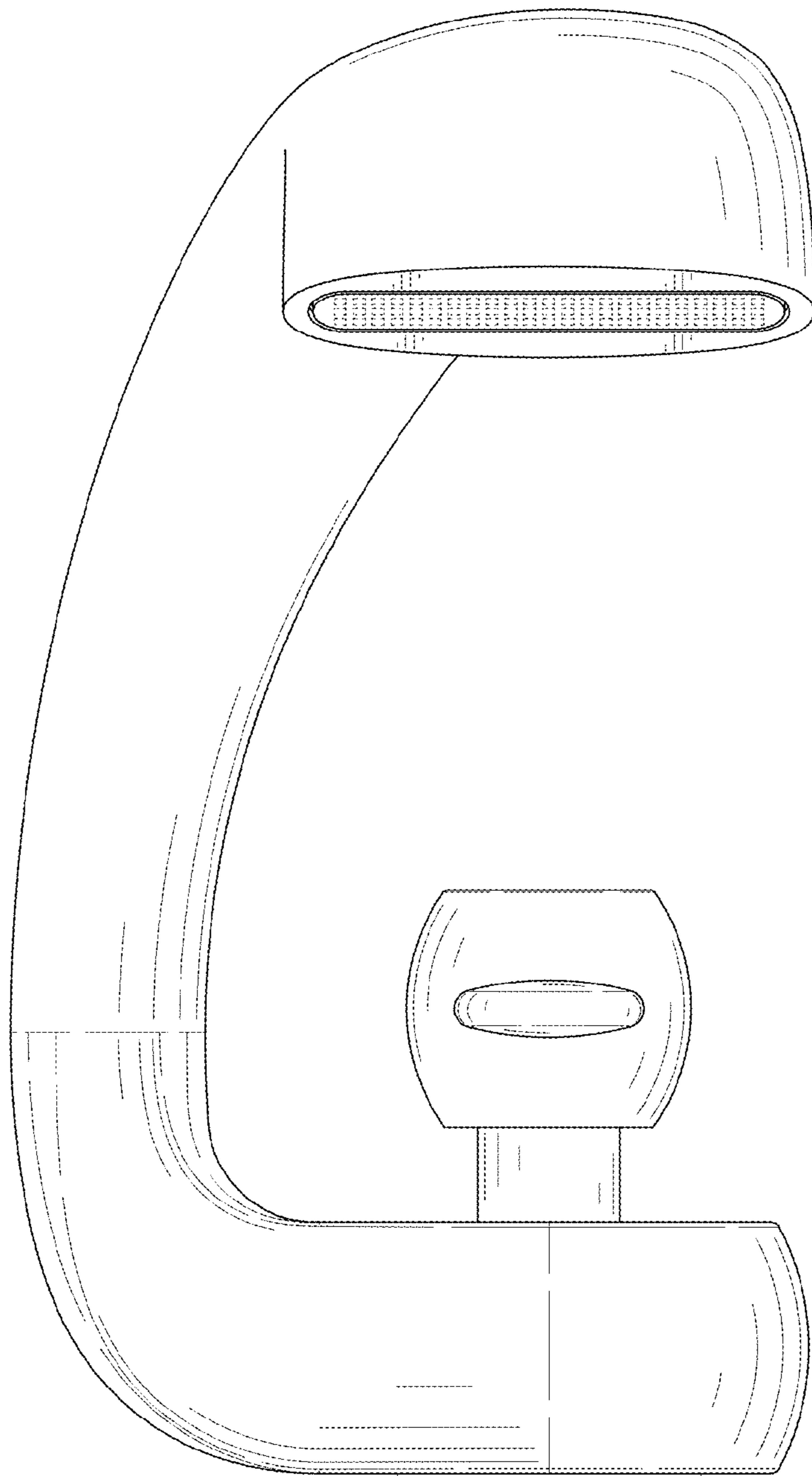


FIG. 3

FIG. 3

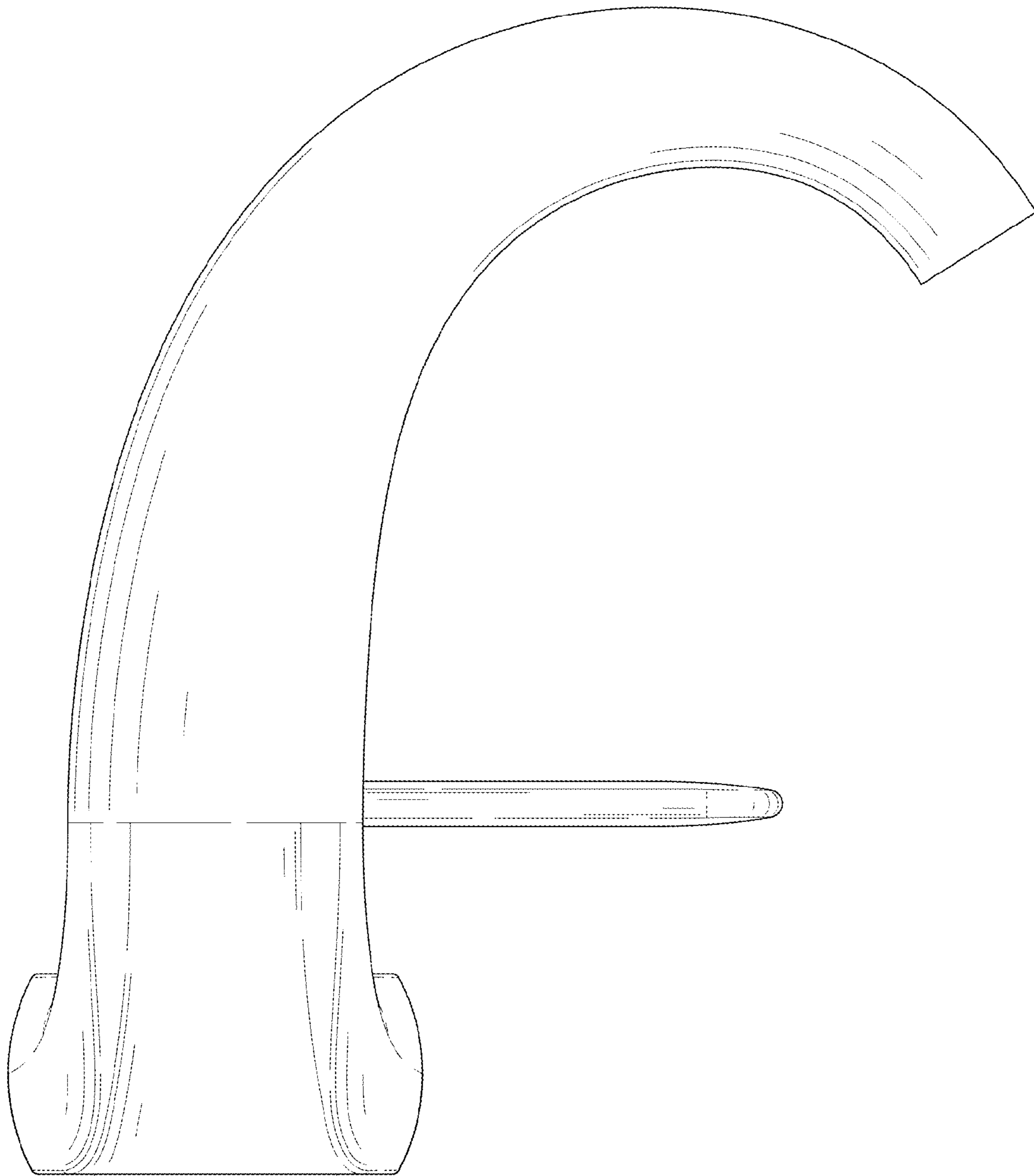


FIG. 5

FIG. 5

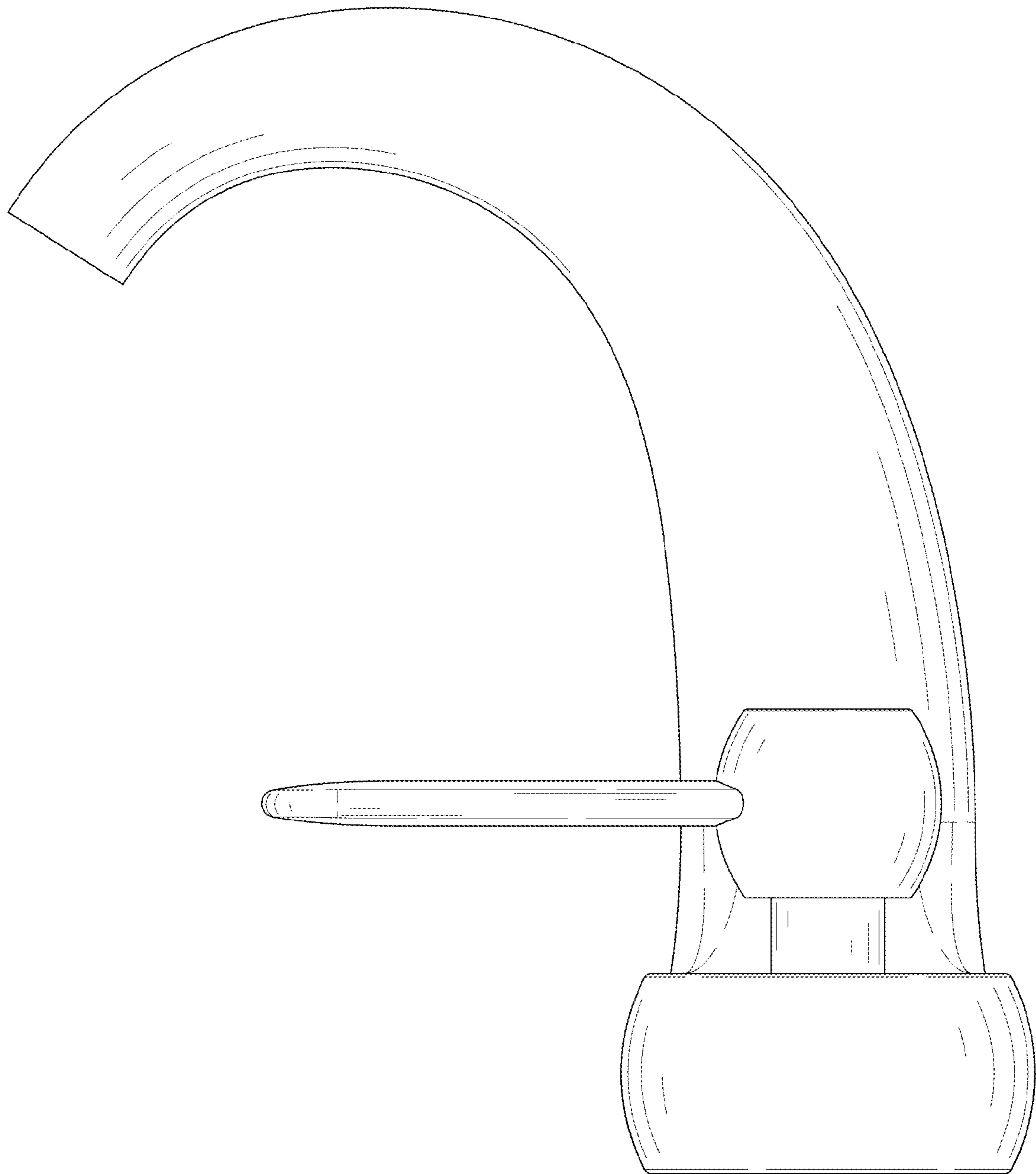


FIG. 6

FIG. 6

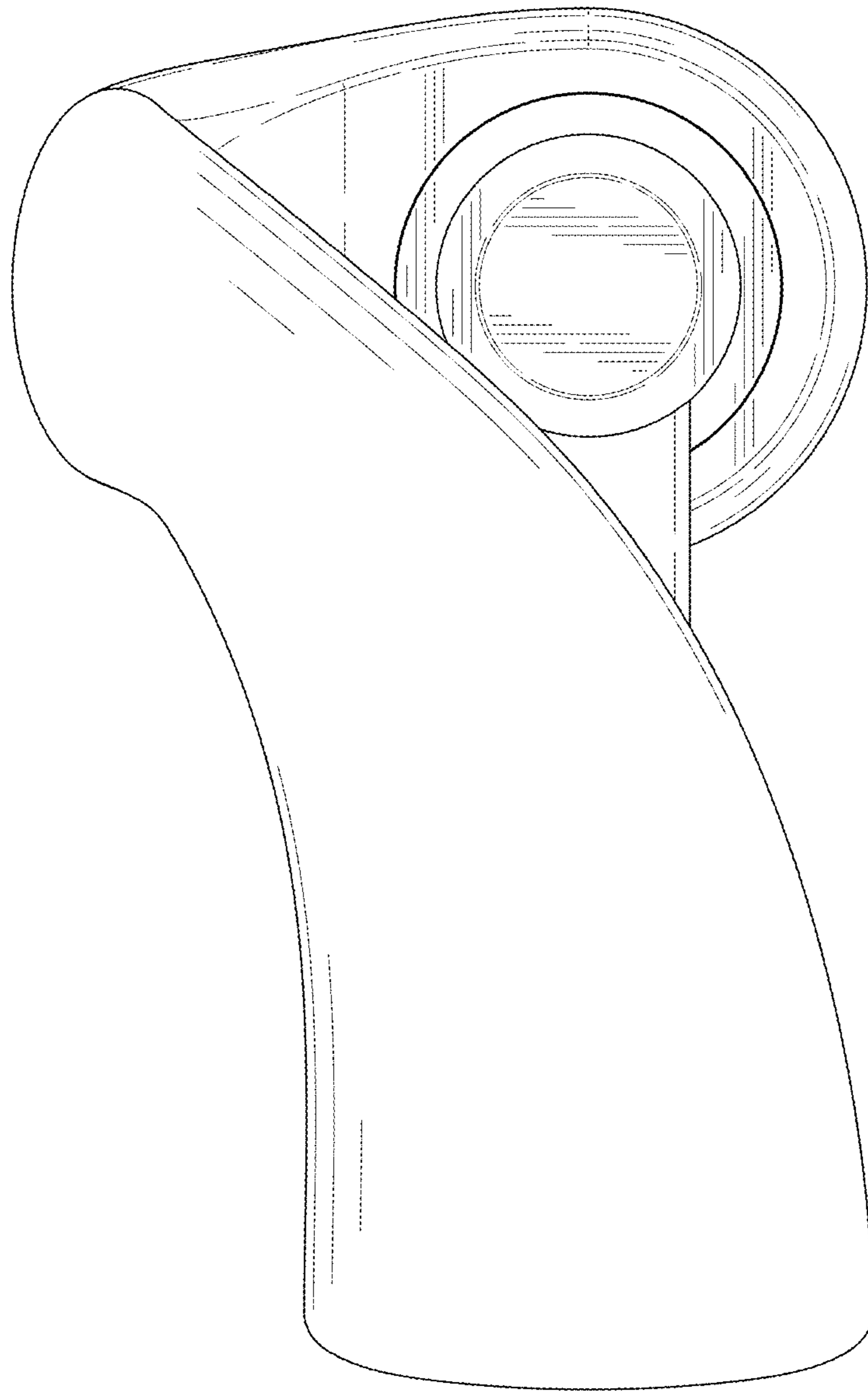


FIG. 7

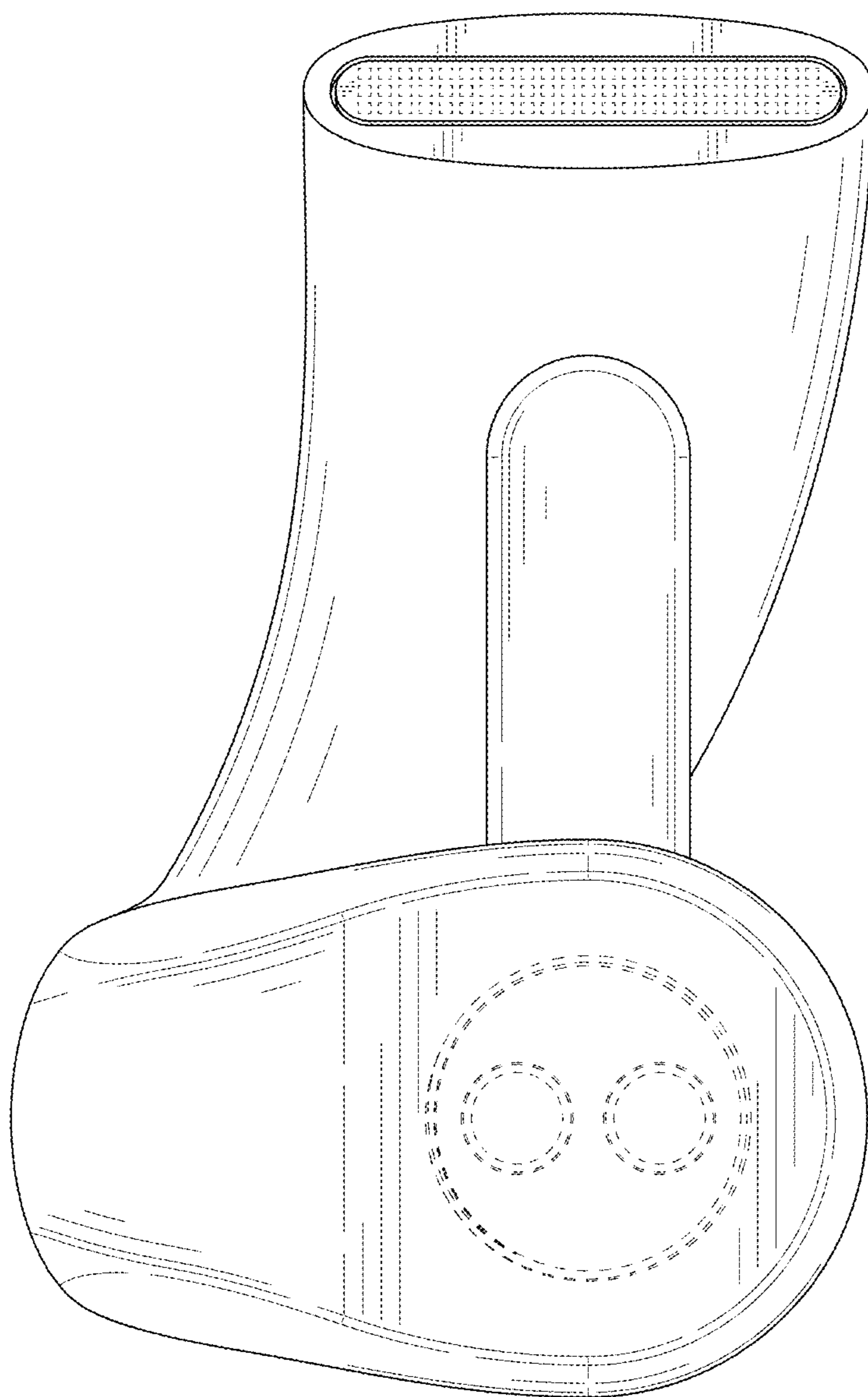


FIG. 8