



US00D967338S

(12) **United States Design Patent**
Zhang

(10) **Patent No.:** **US D967,338 S**

(45) **Date of Patent:** **** Oct. 18, 2022**

(54) **FAUCET**

(71) Applicant: **Dequn Zhang**, Zunyi (CN)

(72) Inventor: **Dequn Zhang**, Zunyi (CN)

(**) Term: **15 Years**

(21) Appl. No.: **29/811,562**

(22) Filed: **Oct. 15, 2021**

(51) **LOC (13) Cl.** **23-01**

(52) **U.S. Cl.**
USPC **D23/238**

(58) **Field of Classification Search**
USPC D23/238–243, 250, 252, 254–255, 257;
D8/307–308

See application file for complete search history.

(56) **References Cited**

U.S. PATENT DOCUMENTS

D667,932 S *	9/2012	Kulig	D23/238
D855,769 S	8/2019	Eads		
D874,614 S	2/2020	Lazarini		
D894,341 S *	8/2020	Zhang	D23/238
D895,070 S *	9/2020	Zhang	D23/238
D895,071 S *	9/2020	Zhang	D23/238

OTHER PUBLICATIONS

Amazon: Becola single hole bathroom sink faucet. https://www.amazon.com/dp/B08GNXS2WR/ref=redir_mobile_desktop?_encoding=UTF8&aaxitk=39820a633cb166b1fb5ded83ef10b76d&content-id=amzn1.sym.53aae2ac-0129-49a5-9c09-6530a9e11786%3Aamzn1.sym.53aae2ac-0129-49a5-9c09-6530a9e11786&hsa_cr_id=1686666080201&pd_rd_ (Year: 2020).*

* cited by examiner

Primary Examiner — Robert A Delehanty

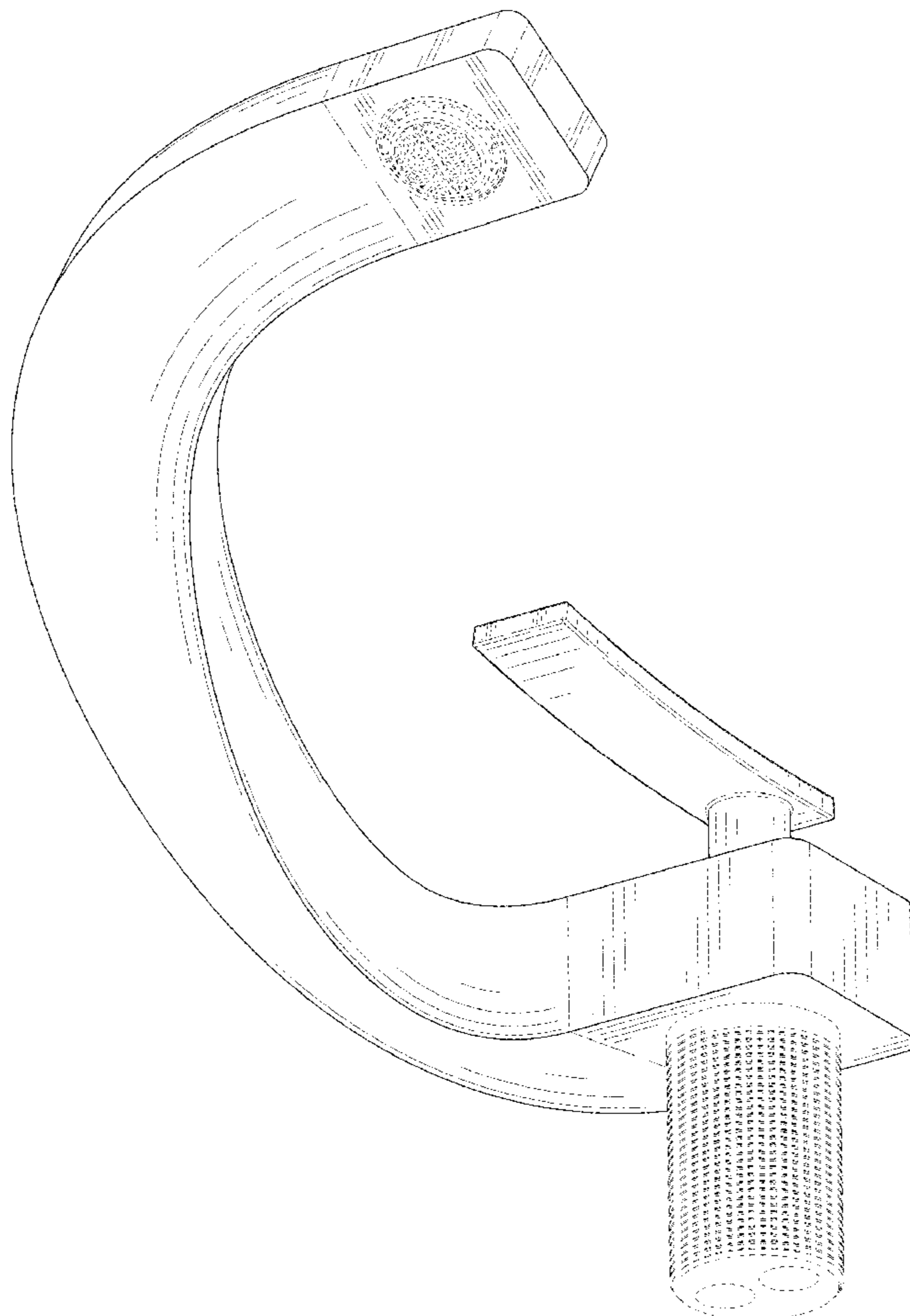
(57) **CLAIM**

The ornamental design for a faucet, as shown and described.

DESCRIPTION

FIG. 1 is a perspective view of a faucet showing my new design;
FIG. 2 is another perspective view thereof;
FIG. 3 is a front elevational view thereof;
FIG. 4 is a rear elevational view thereof;
FIG. 5 is a left side elevational view thereof;
FIG. 6 is a right side elevational view thereof;
FIG. 7 is a top plan view thereof; and,
FIG. 8 is a bottom plan view thereof.
The broken lines in the drawings depict portions of the faucet that form no part of the claimed design.

1 Claim, 8 Drawing Sheets



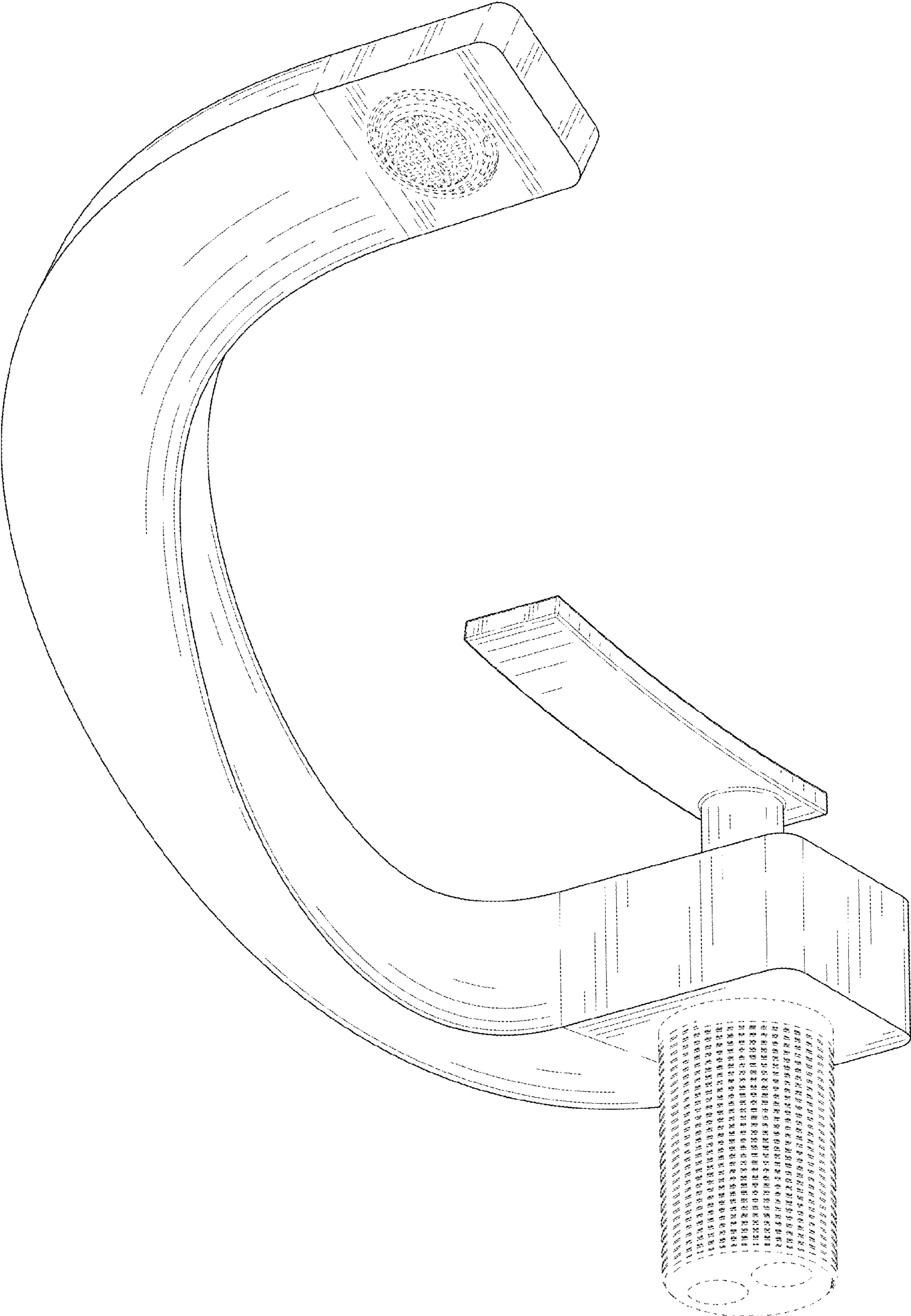


FIG. 1

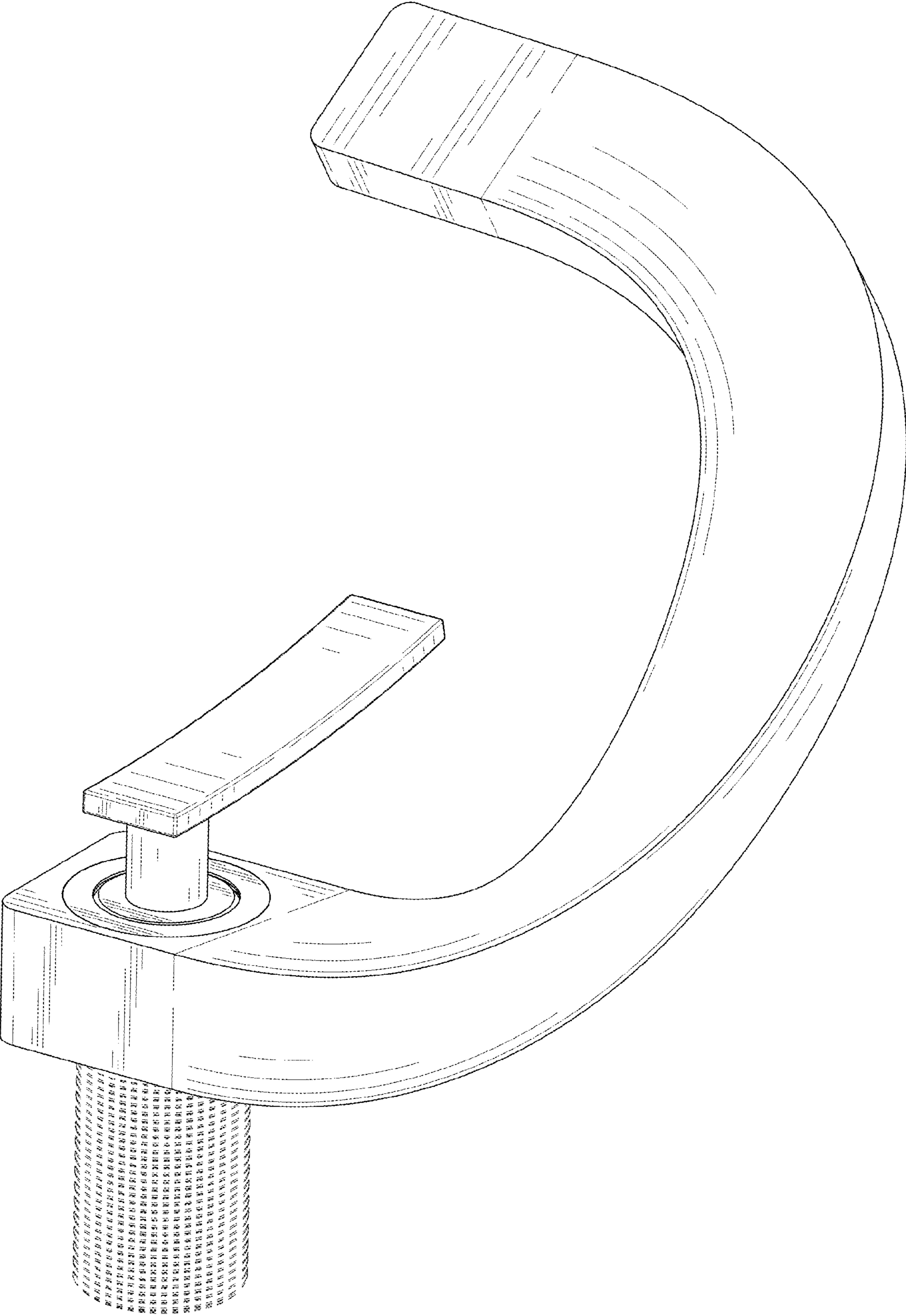


FIG. 2

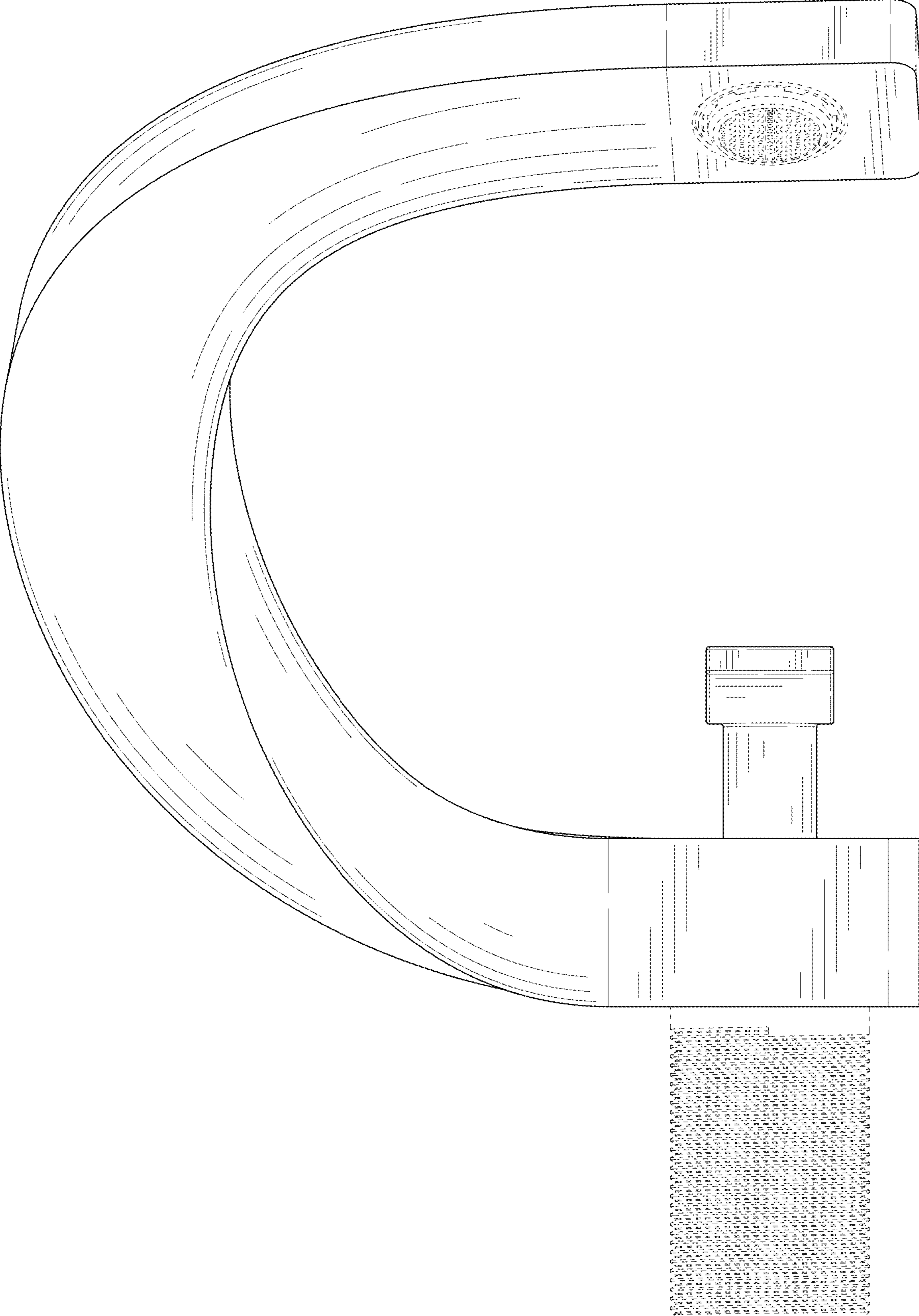


FIG. 3

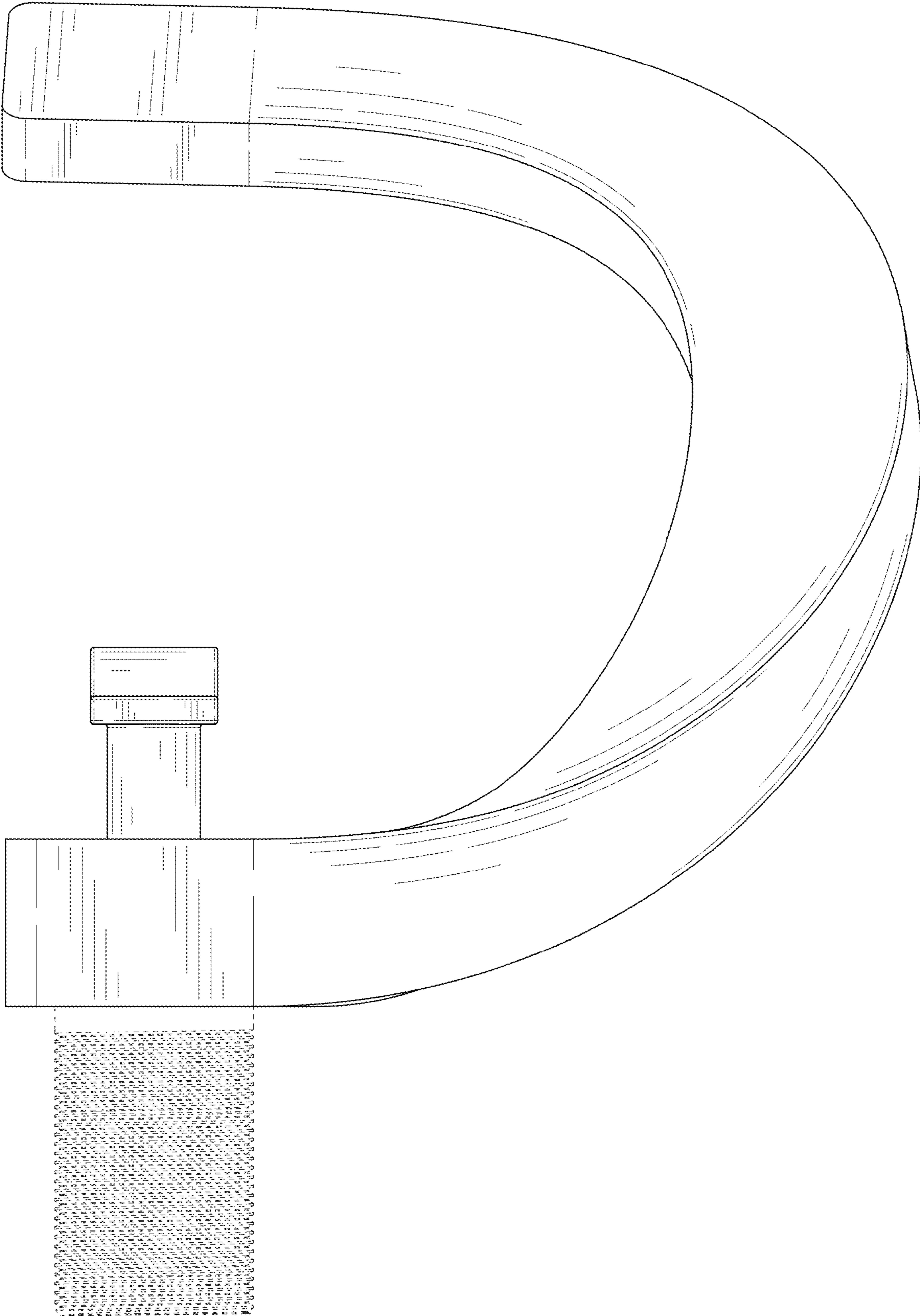


FIG. 4

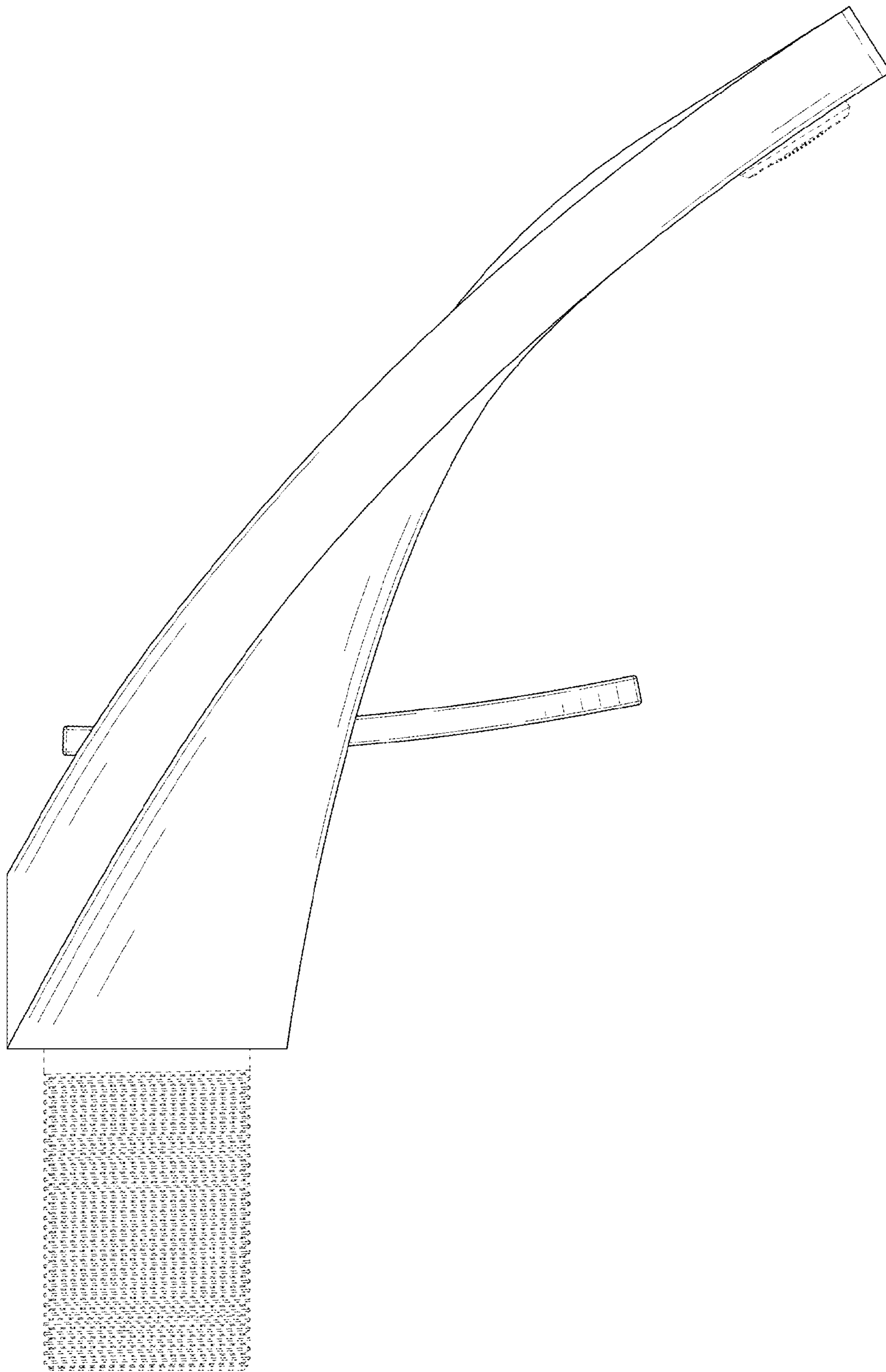


FIG. 5

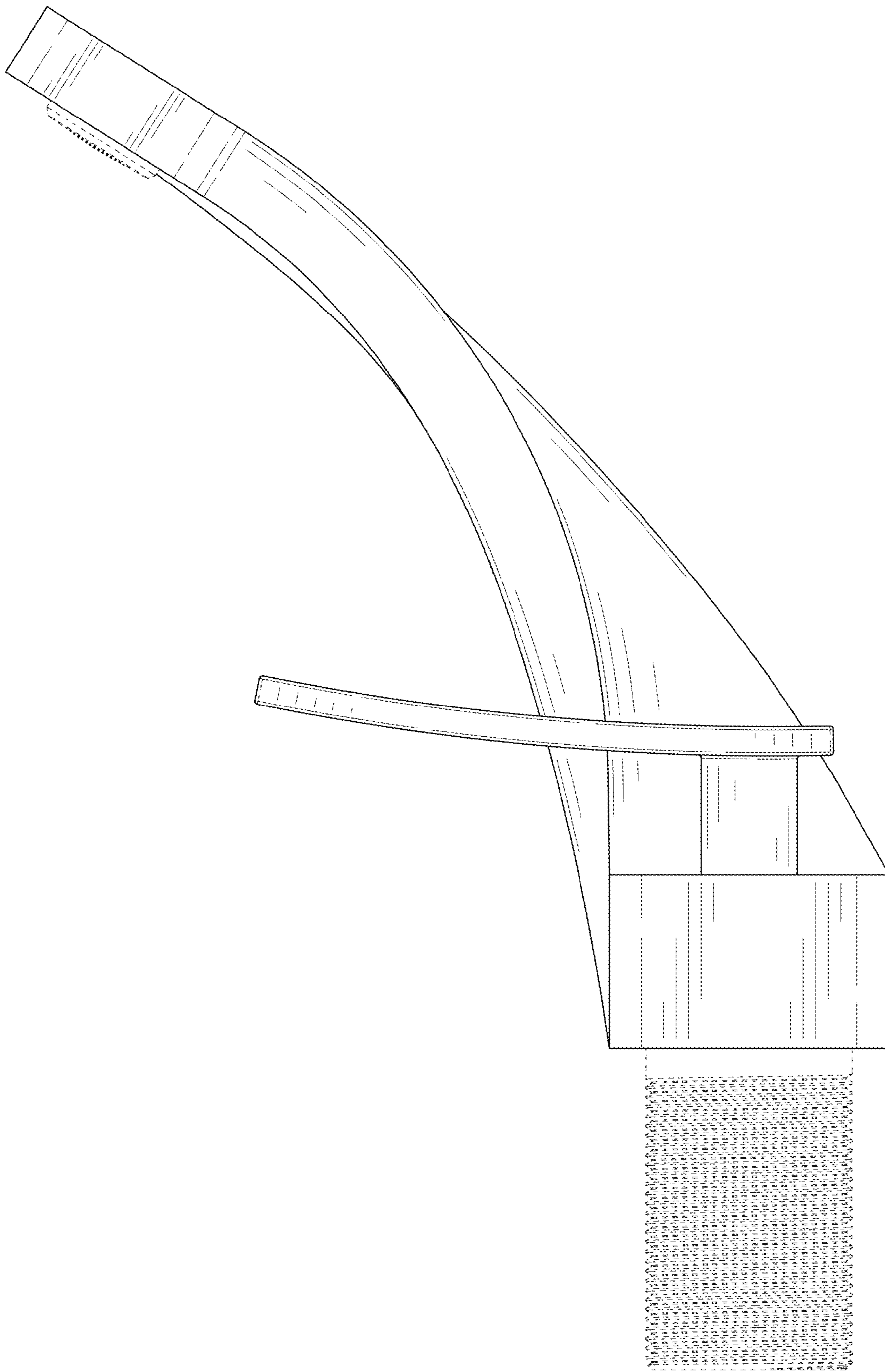


FIG. 6

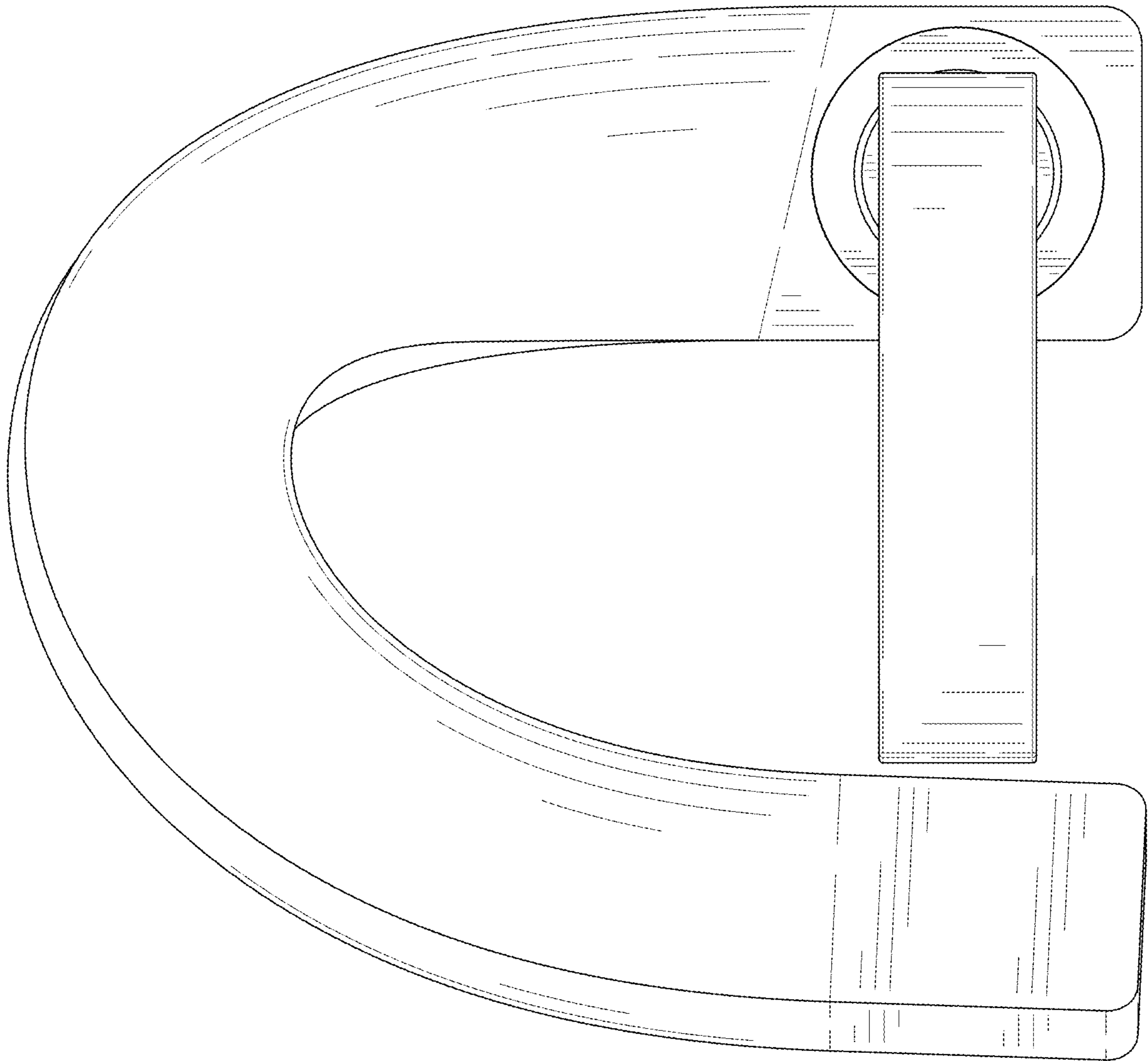


FIG. 7

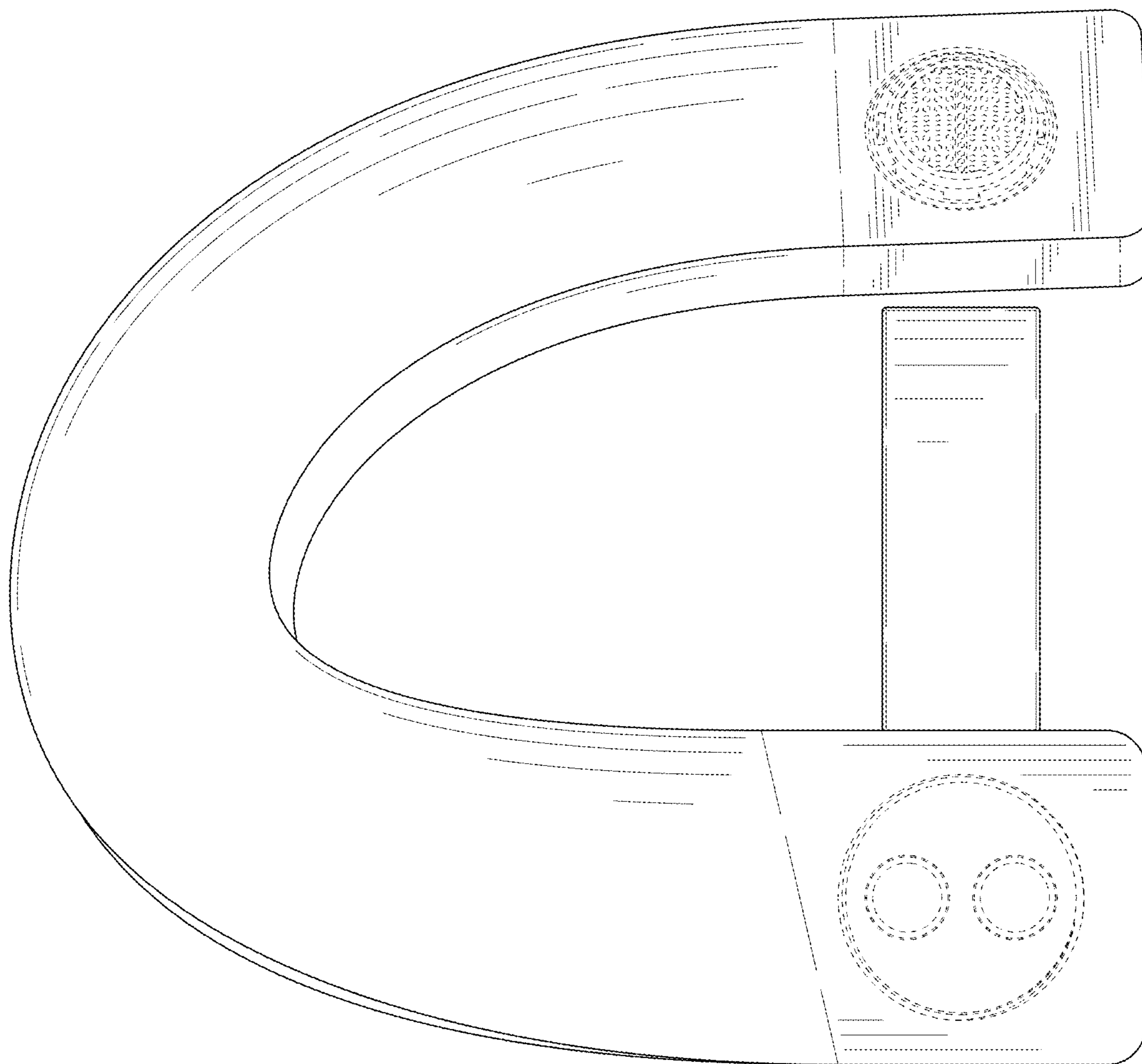


FIG. 8