

US00D967337S

(12) **United States Design Patent** (10) **Patent No.:** **US D967,337 S**
Kuang (45) **Date of Patent:** **** Oct. 18, 2022**

(54) **FAUCET**

D884,124 S * 5/2020 Lu D23/238
D895,068 S * 9/2020 Johnson D23/238
10,781,579 B2 * 9/2020 Mu E03C 1/0404

(71) Applicant: **ZhongTeng Kuang**, Jiangmen (CN)

(72) Inventor: **ZhongTeng Kuang**, Jiangmen (CN)

(**) Term: **15 Years**

FOREIGN PATENT DOCUMENTS

CN 201330582844 * 11/2013
CN 201730052280 * 2/2017
CN 201730515349 * 10/2017

(21) Appl. No.: **29/744,383**

(22) Filed: **Jul. 29, 2020**

OTHER PUBLICATIONS

(51) **LOC (13) Cl.** **23-01**

(52) **U.S. Cl.**
USPC **D23/238**

Amazon, CREA Kitchen Faucet with Sprayer, posted Mar. 30, 2017, [online], [visited Nov. 17, 2021]. Internet, <URL: https://www.amazon.com/dp/B06XXV1ND3/ref> (Year: 2017).*

(58) **Field of Classification Search**
USPC D23/238, 239, 240, 241, 242, 243, 244, D23/245, 246, 247, 248, 249, 250, 251, D23/252, 253, 254, 255, 256, 257, 259
CPC Y10T 137/9464; E03C 1/00; E03C 1/02; E03C 1/04; E03C 1/042; E03C 1/044; E03C 1/0402; E03C 1/0403; E03C 1/0405; E03C 1/0412

* cited by examiner

Primary Examiner — Samantha Wood

See application file for complete search history.

(57) **CLAIM**

The ornamental design for a faucet, as shown and described.

(56) **References Cited**

DESCRIPTION

U.S. PATENT DOCUMENTS

D522,634 S * 6/2006 Hoernig D23/252
D536,065 S * 1/2007 Wang D23/238
D674,054 S * 1/2013 Lord D23/252
D676,114 S * 2/2013 Lord D23/252
D693,906 S * 11/2013 Zhang D23/238
D737,936 S * 9/2015 Pony D23/238
D761,392 S * 7/2016 Hanna D23/255
D786,405 S * 5/2017 Schaubach D23/238
D789,494 S * 6/2017 Dube D23/254
D835,237 S * 12/2018 Ziemann D23/238
D844,111 S * 3/2019 Soulier D23/238
D852,325 S * 6/2019 Eads D23/238
D863,507 S * 10/2019 Zhang D23/238
D867,534 S * 11/2019 Lazarini D23/238

FIG. 1 is a first perspective view of a faucet showing my new design;

FIG. 2 is a front view thereof;

FIG. 3 is a back view thereof;

FIG. 4 is a left side view thereof;

FIG. 5 is a right side view thereof;

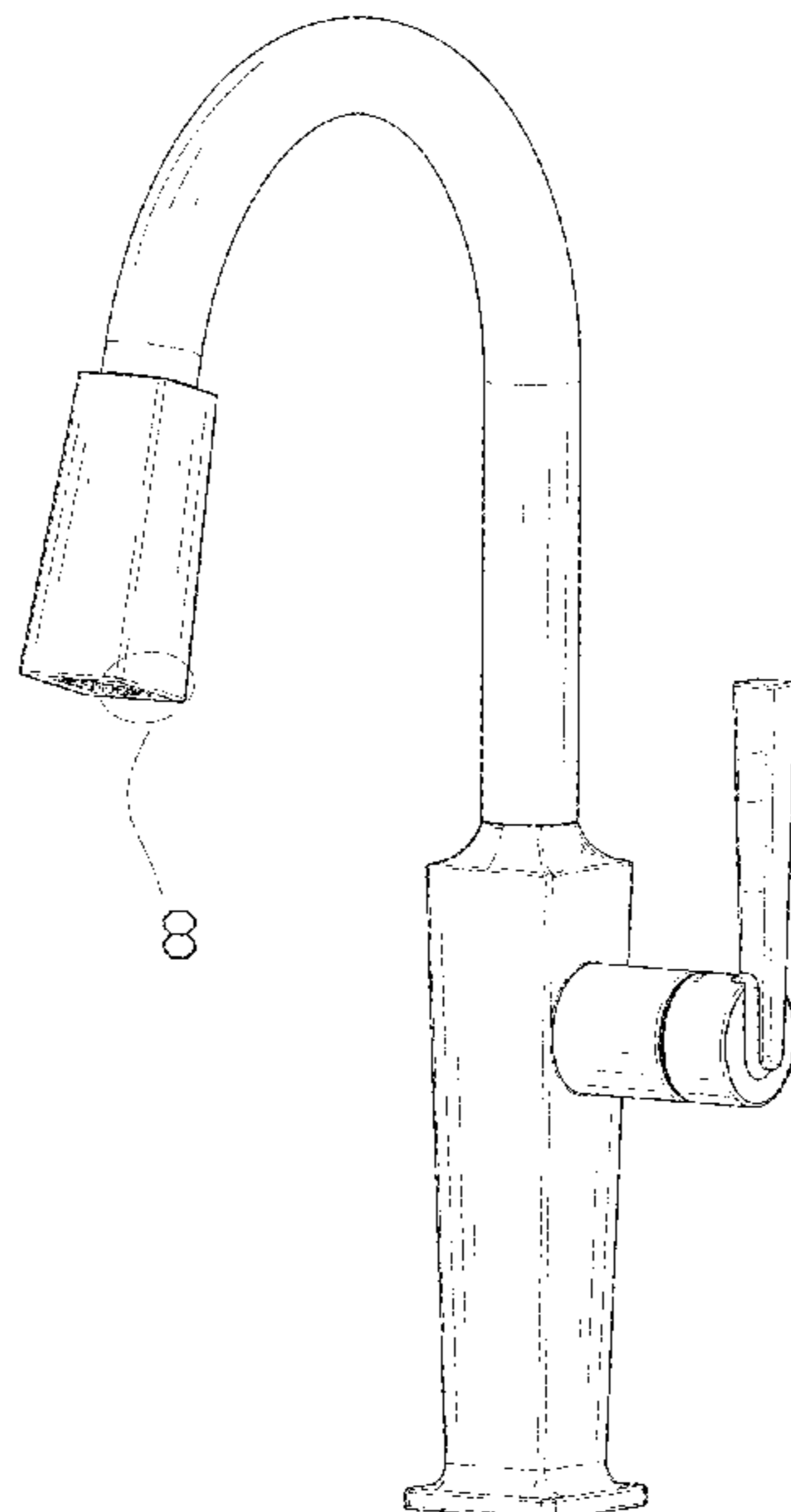
FIG. 6 is a top view thereof;

FIG. 7 is a bottom view thereof; and,

FIG. 8 is an enlarged detail view of the encircled portion of FIG. 1.

The dash-dash broken lines are included for the purpose of illustrating portions of the article and form no part of the claimed design. The dot-dash broken lines in FIGS. 1 and 8 form no part of the claimed design and designate the region of claimed subject matter in FIG. 4 that is shown on an enlarged scale in FIG. 8.

1 Claim, 8 Drawing Sheets



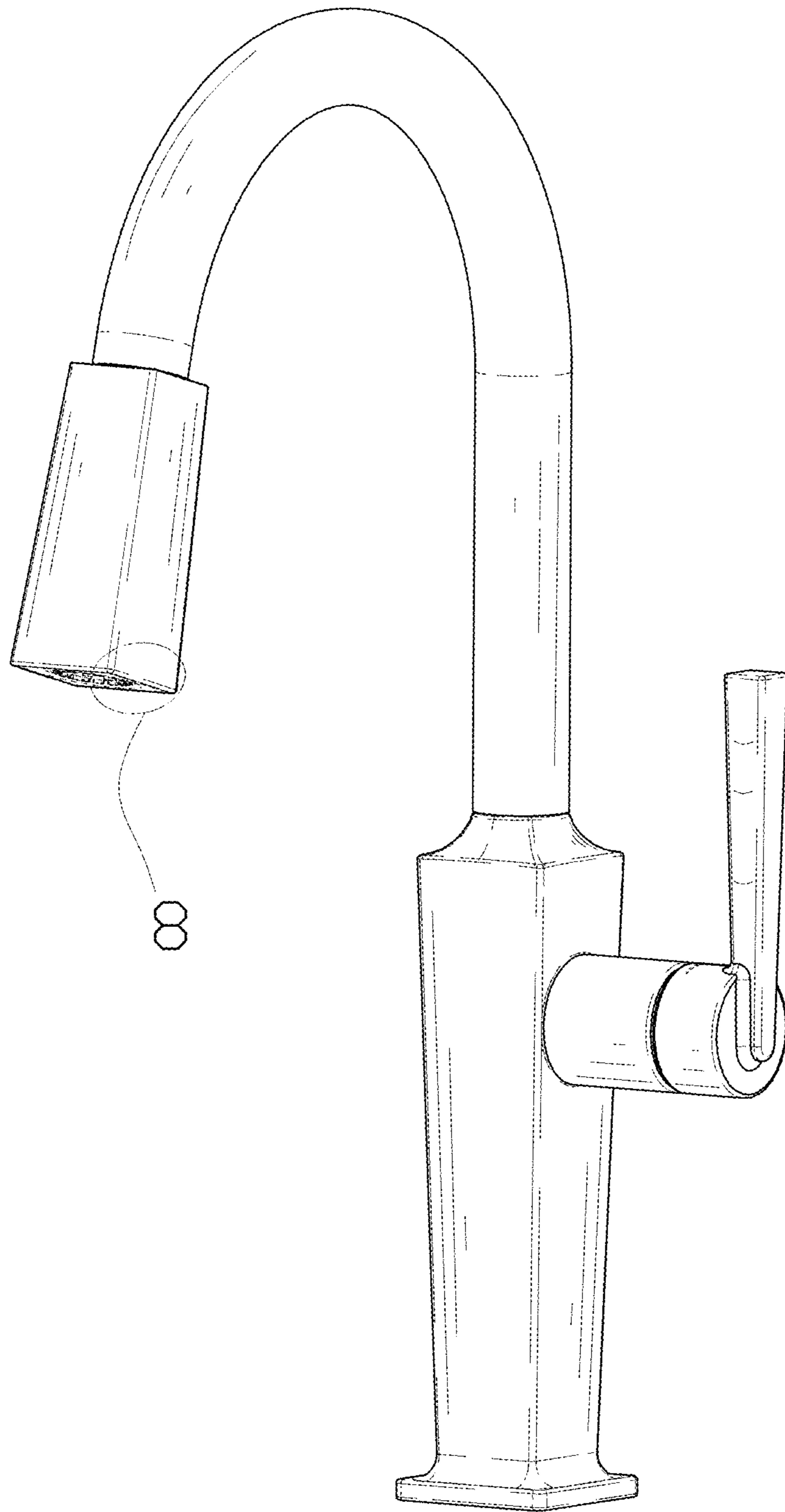


FIG. 1

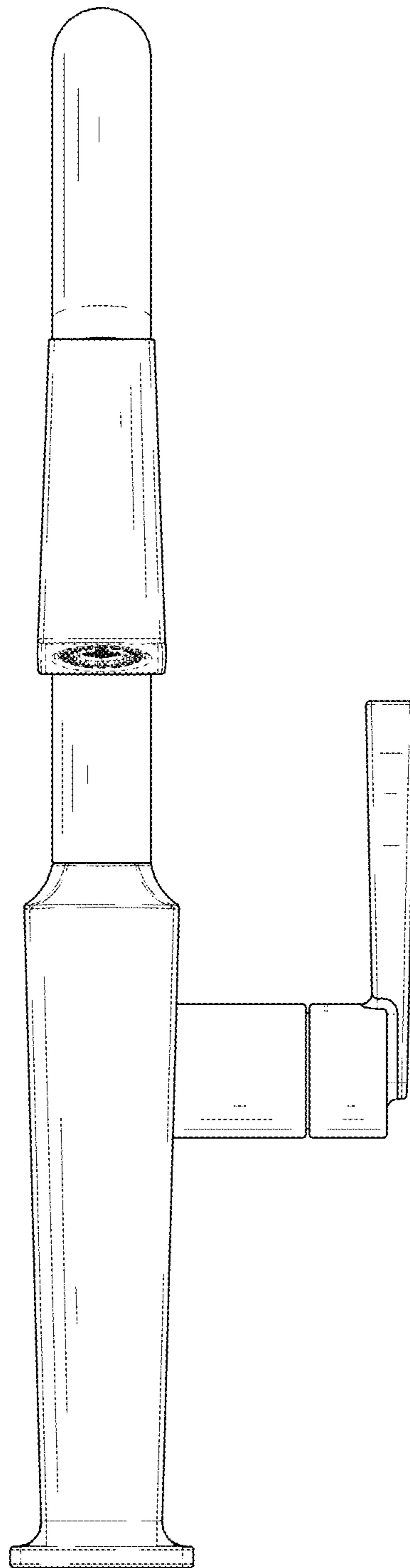


FIG. 2

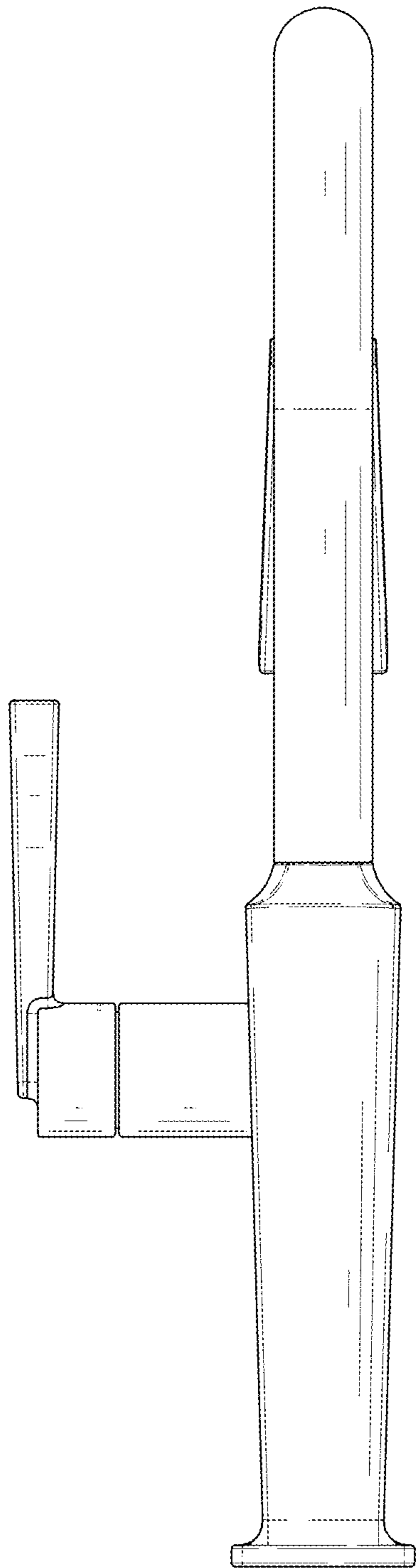


FIG. 3

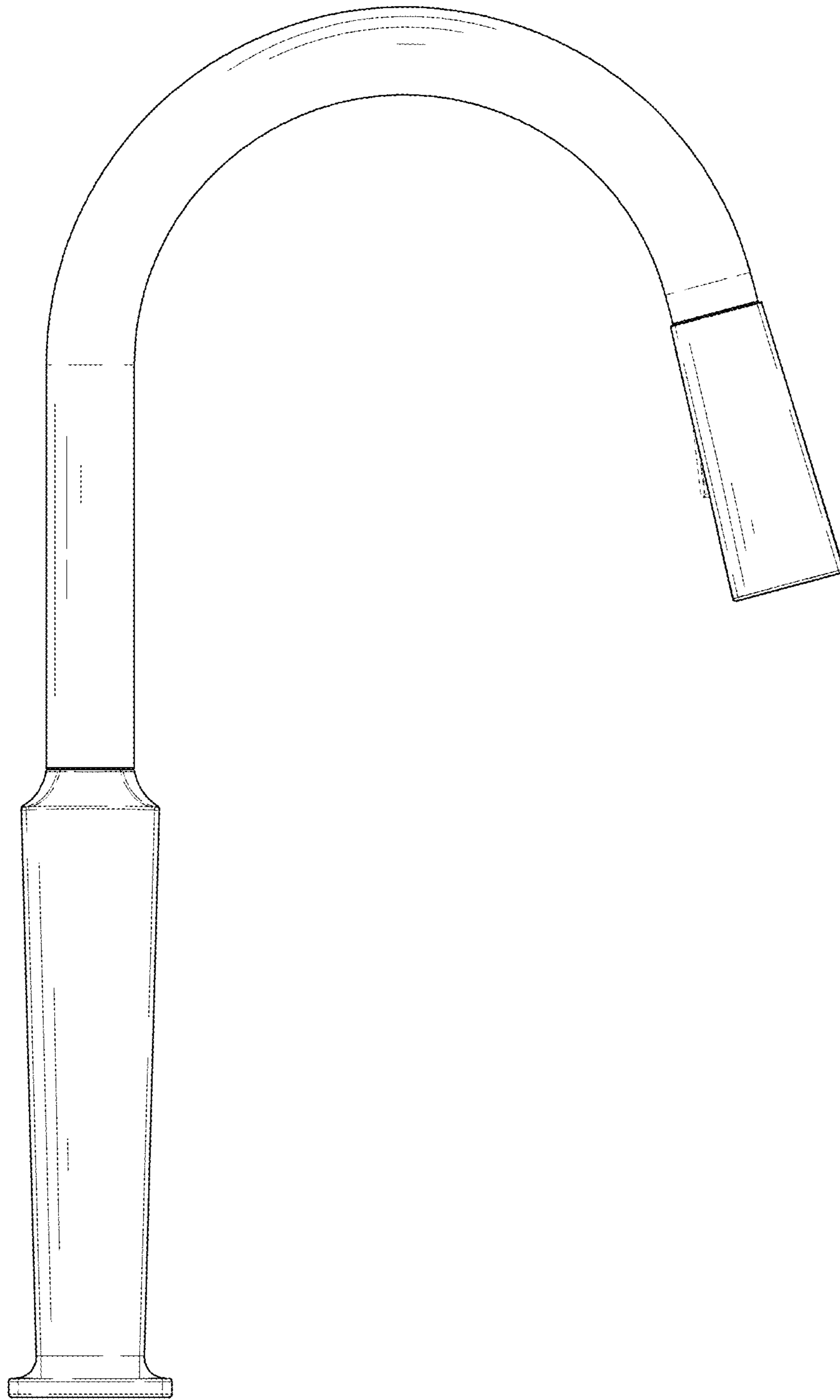


FIG. 4

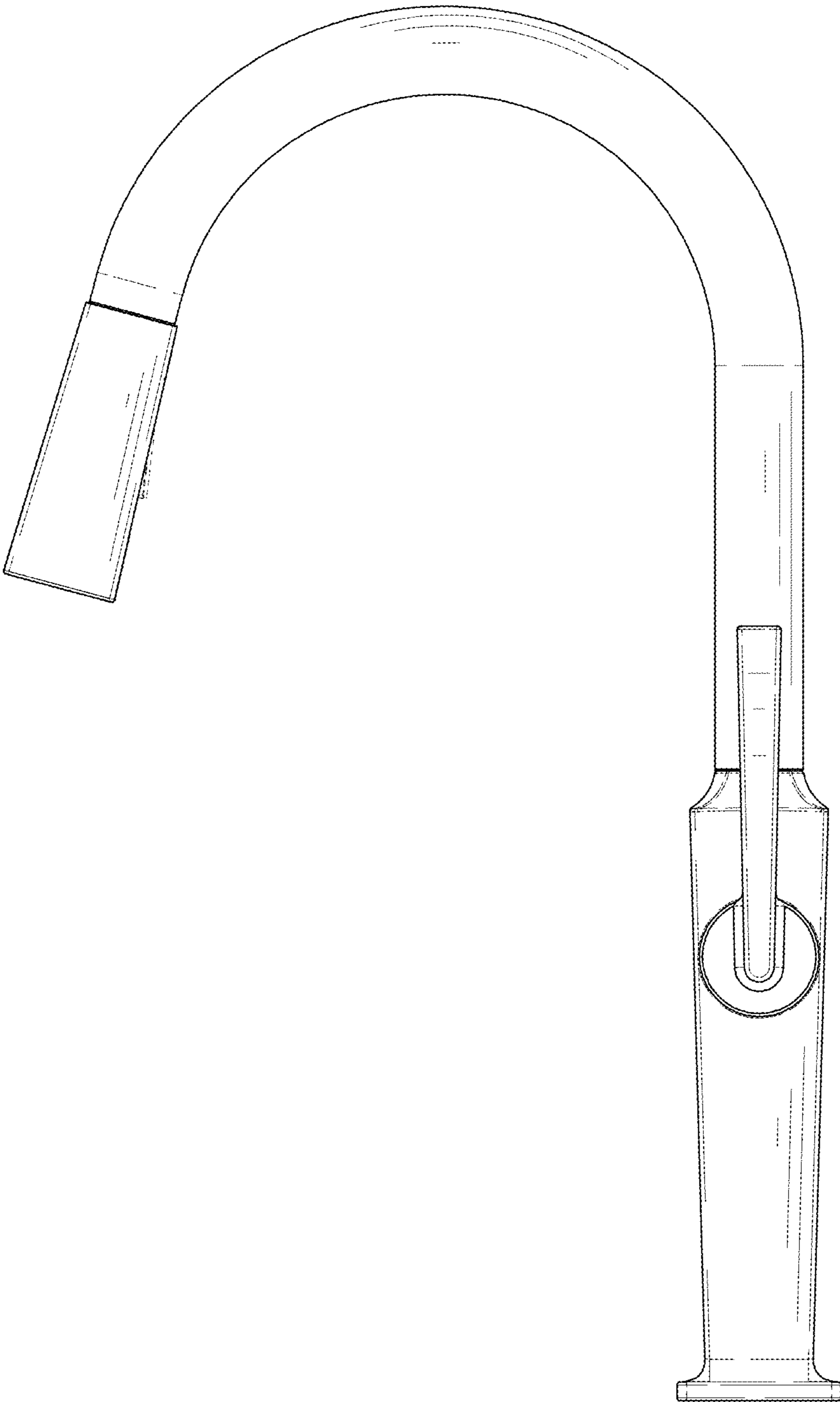


FIG. 5

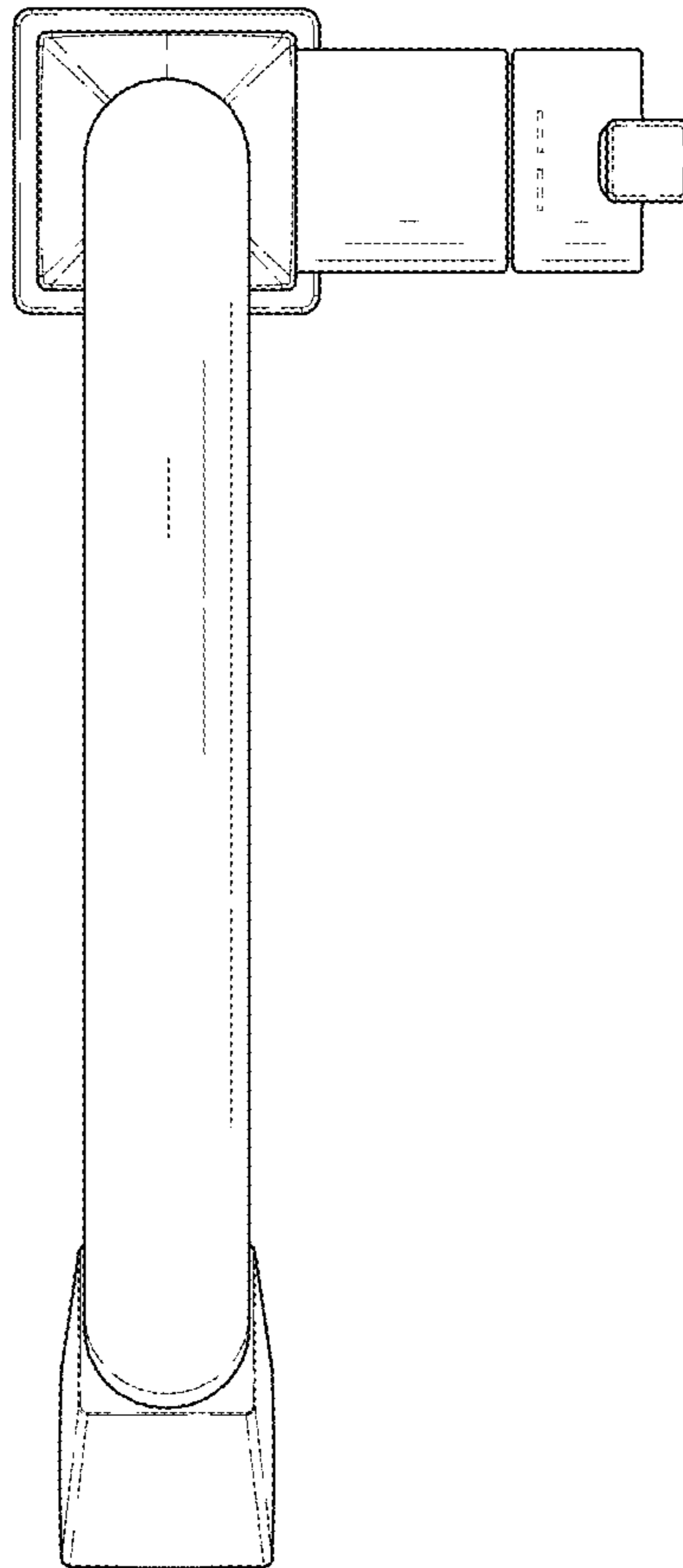


FIG. 6

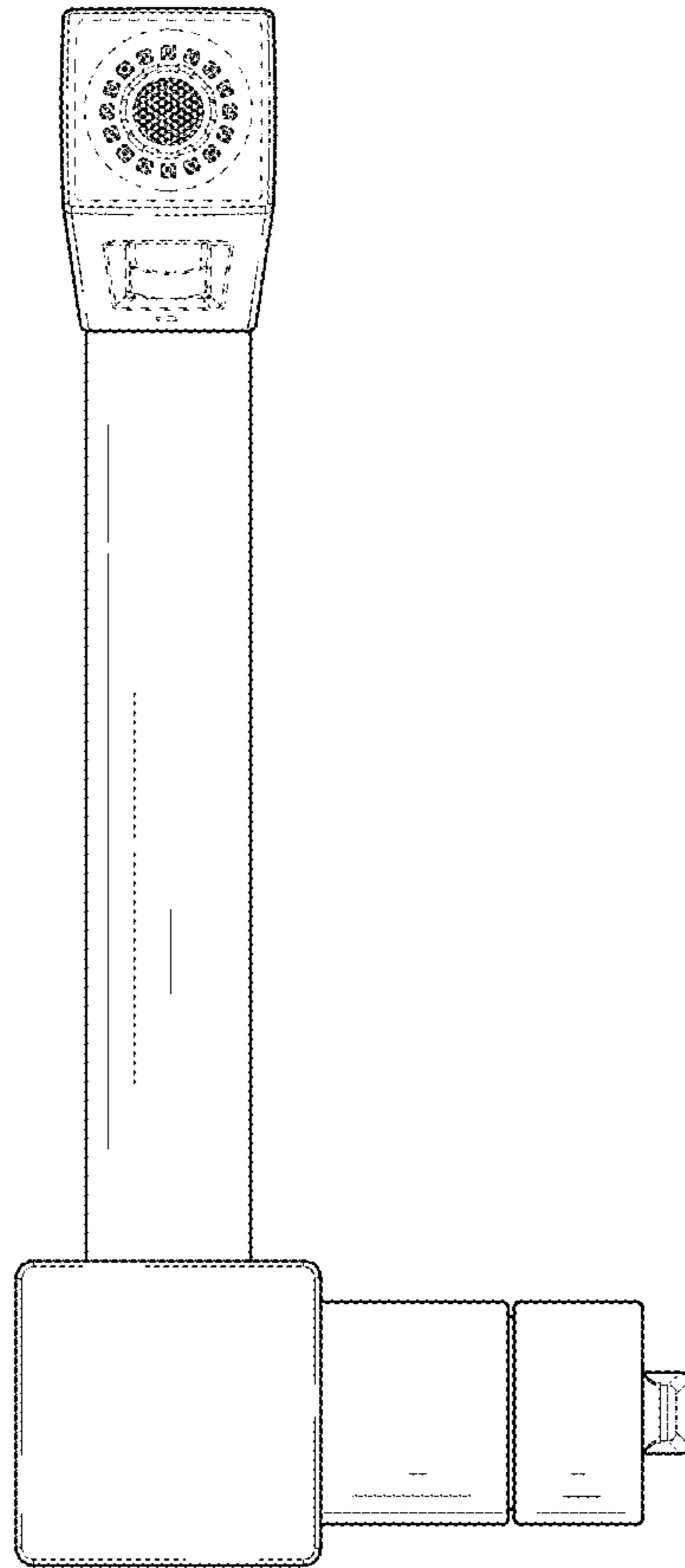


FIG. 7

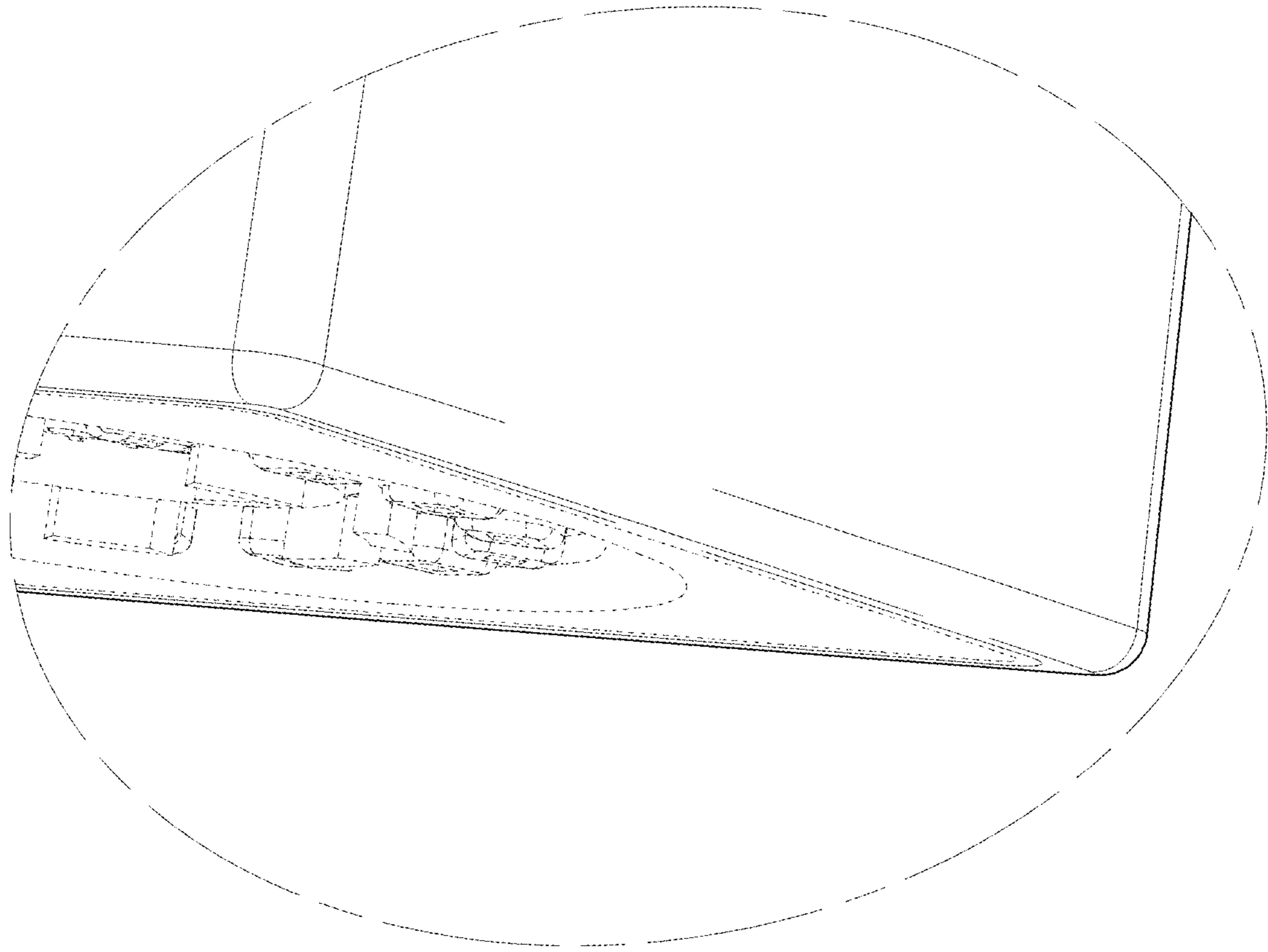


FIG. 8