



US00D967336S

(12) **United States Design Patent**
Jensen

(10) **Patent No.:** **US D967,336 S**

(45) **Date of Patent:** **** Oct. 18, 2022**

(54) **FLUSH VALVE**

(71) Applicant: **AS America, Inc.**, Piscataway, NJ (US)

(72) Inventor: **Robert Jensen**, East Brunswick, NJ (US)

(73) Assignee: **AS America, Inc.**, Piscataway, NJ (US)

(**) Term: **15 Years**

(21) Appl. No.: **29/733,634**

(22) Filed: **May 5, 2020**

(51) **LOC (13) Cl.** **23-01**

(52) **U.S. Cl.**
USPC **D23/236**

(58) **Field of Classification Search**
USPC D23/233, 235, 249, 258, 245, 236;
4/395, 399
CPC .. E03D 1/34; E03D 5/092; E03D 3/02; E03D
1/00; E03D 3/00; E03D 3/10; F16K
31/3855
See application file for complete search history.

(56) **References Cited**

U.S. PATENT DOCUMENTS

1,895,786 A * 1/1933 Cobb E03D 1/34
4/399
4,419,773 A * 12/1983 Sullivan E03D 1/34
4/395

D281,713 S * 12/1985 Mikol D23/258
D309,938 S * 8/1990 Schoepe D23/236
D325,957 S * 5/1992 Van De Veire D23/236
D346,642 S * 5/1994 Ali D23/236
8,079,095 B2 * 12/2011 Jensen E03D 1/304
4/399
9,915,059 B2 * 3/2018 Grover E03D 9/04

* cited by examiner

Primary Examiner — Gino Colan

(74) *Attorney, Agent, or Firm* — Tyler A. Stevenson;
Anna-lisa L. Gallo

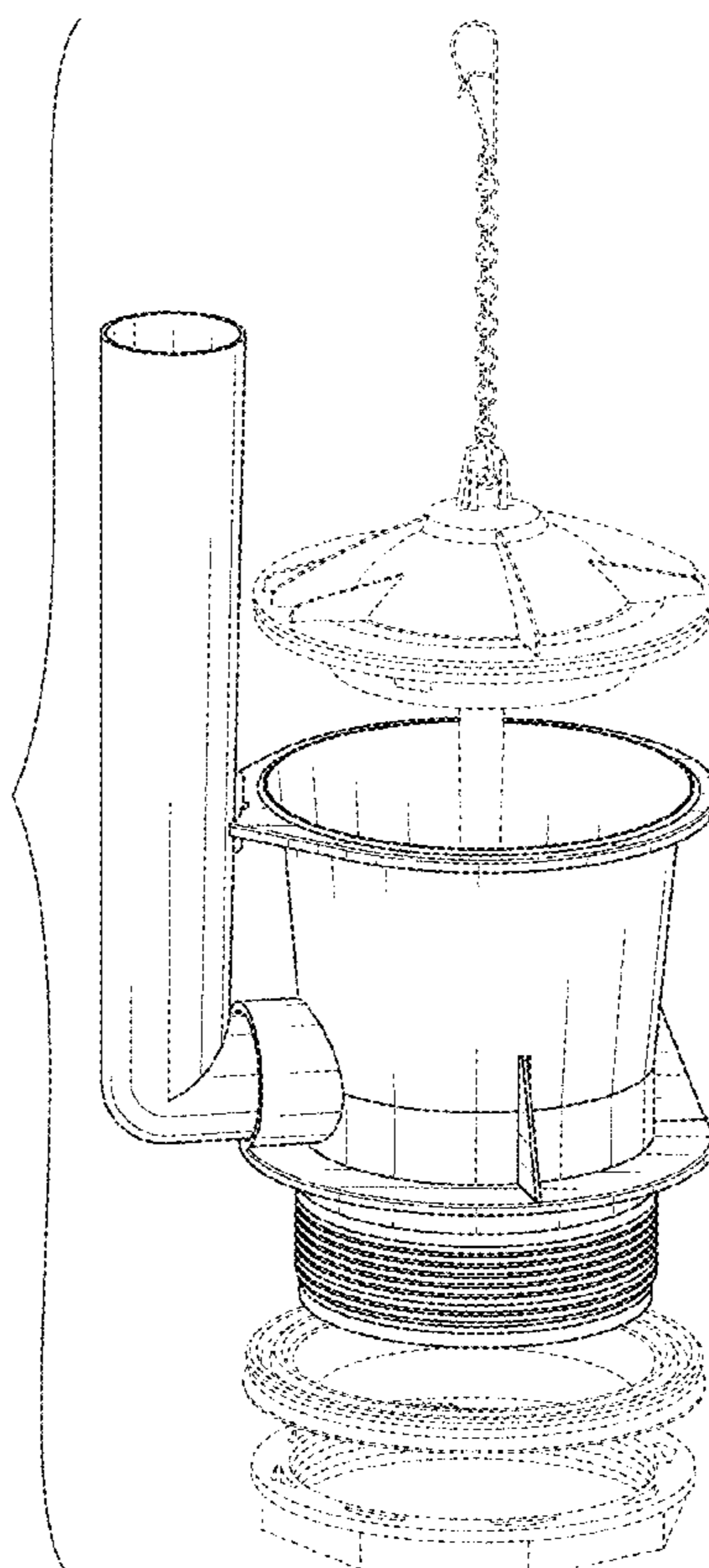
(57) **CLAIM**

I claim the ornamental design for a flush valve, as shown and described.

DESCRIPTION

FIG. 1 is a top, front perspective view of a flush valve showing my new design;
FIG. 2 is a left side view thereof;
FIG. 3 is a right side view thereof;
FIG. 4 is a rear view thereof;
FIG. 5 is a front view thereof;
FIG. 6 is a top view thereof;
FIG. 7 is a bottom view thereof; and,
FIG. 8 is a bottom, rear perspective view thereof.
Broken lines are directed to environment and are for illustrative purposes only; broken lines form no part of the claimed design.

1 Claim, 7 Drawing Sheets



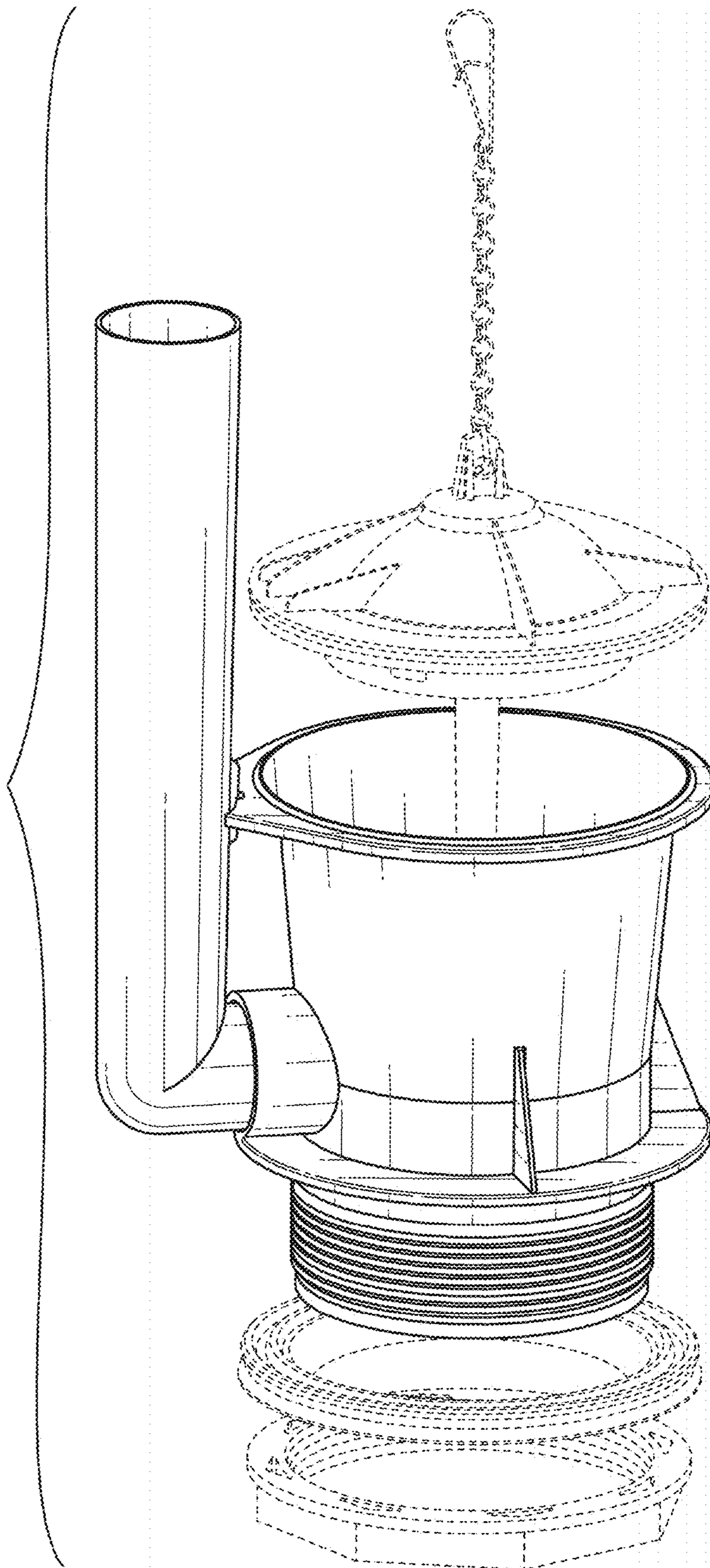


FIG. 1

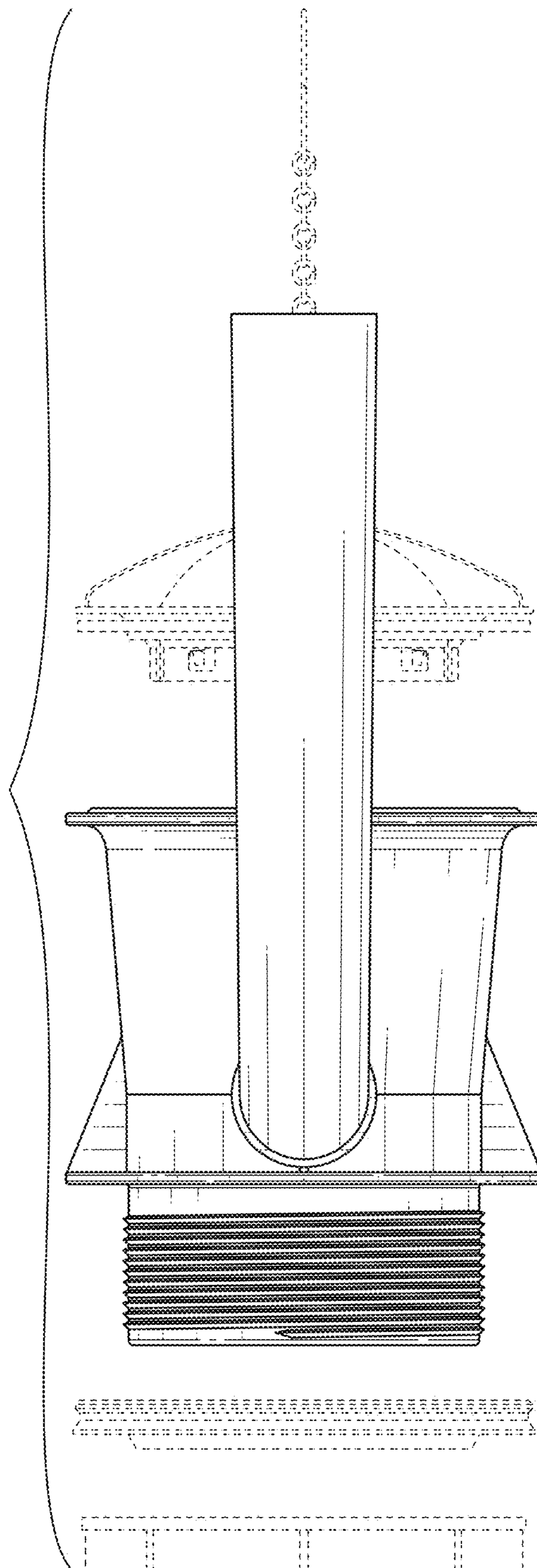


FIG. 2

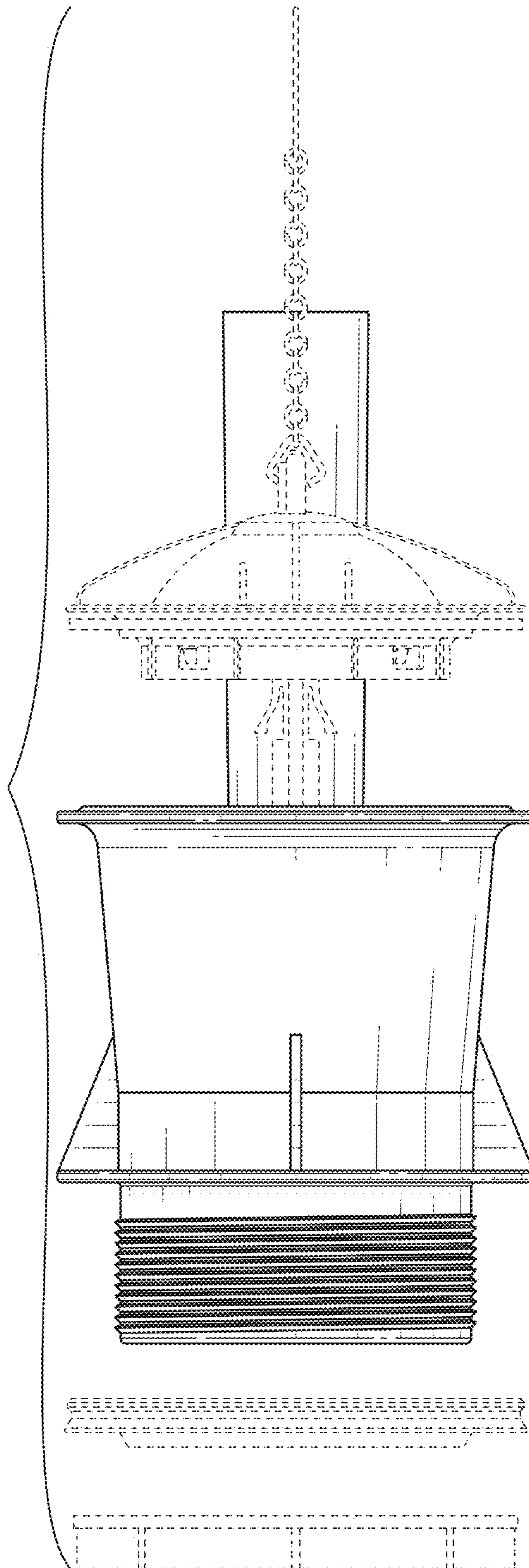


FIG. 3

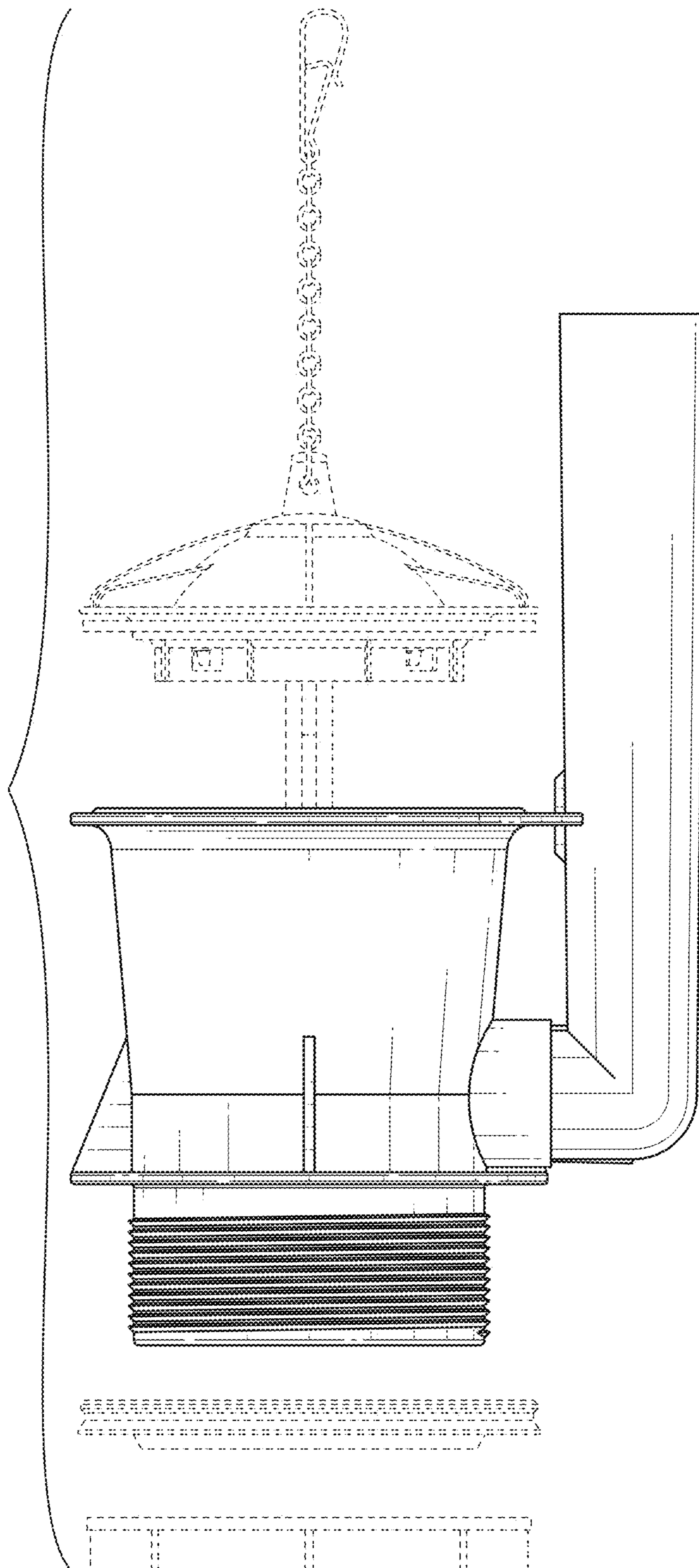


FIG. 4

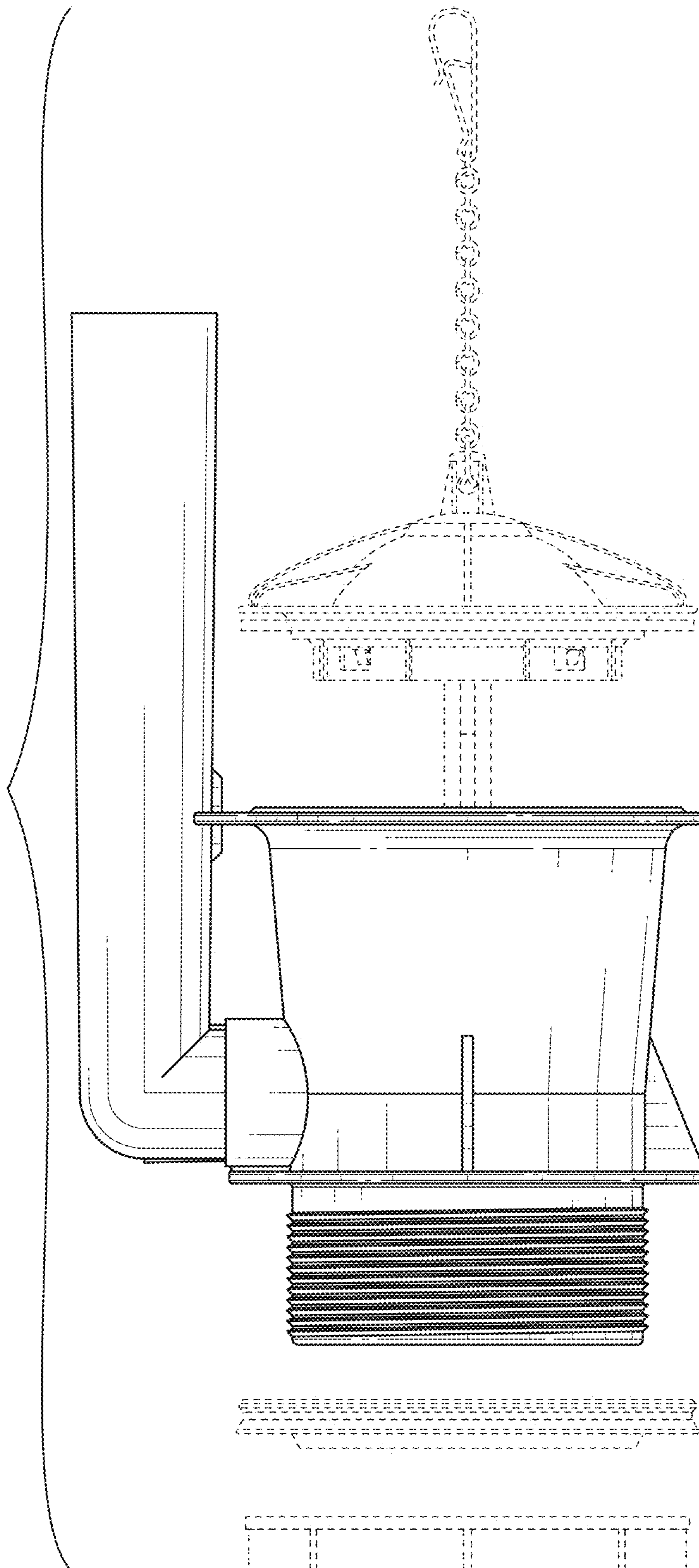


FIG. 5

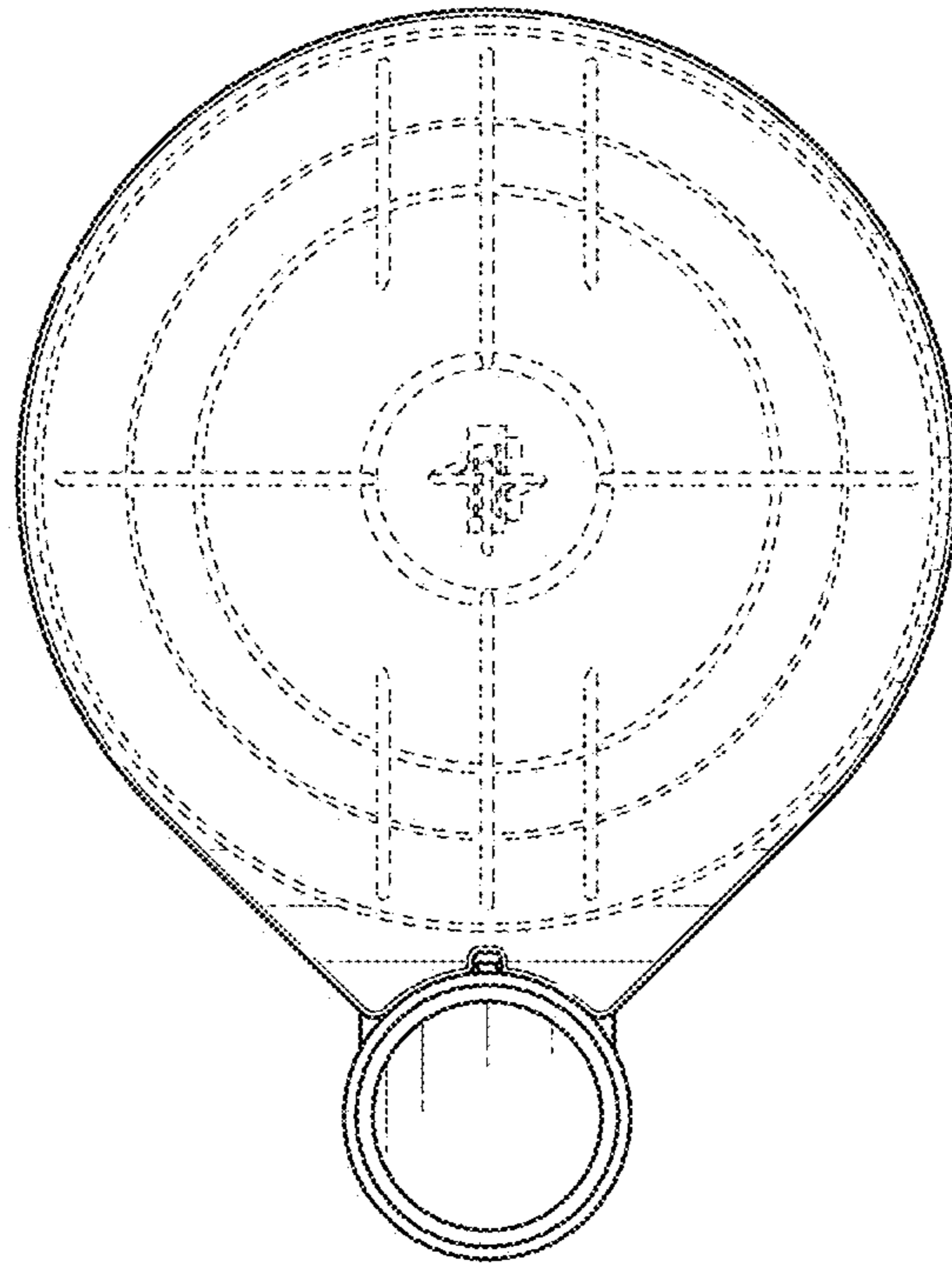


FIG. 6

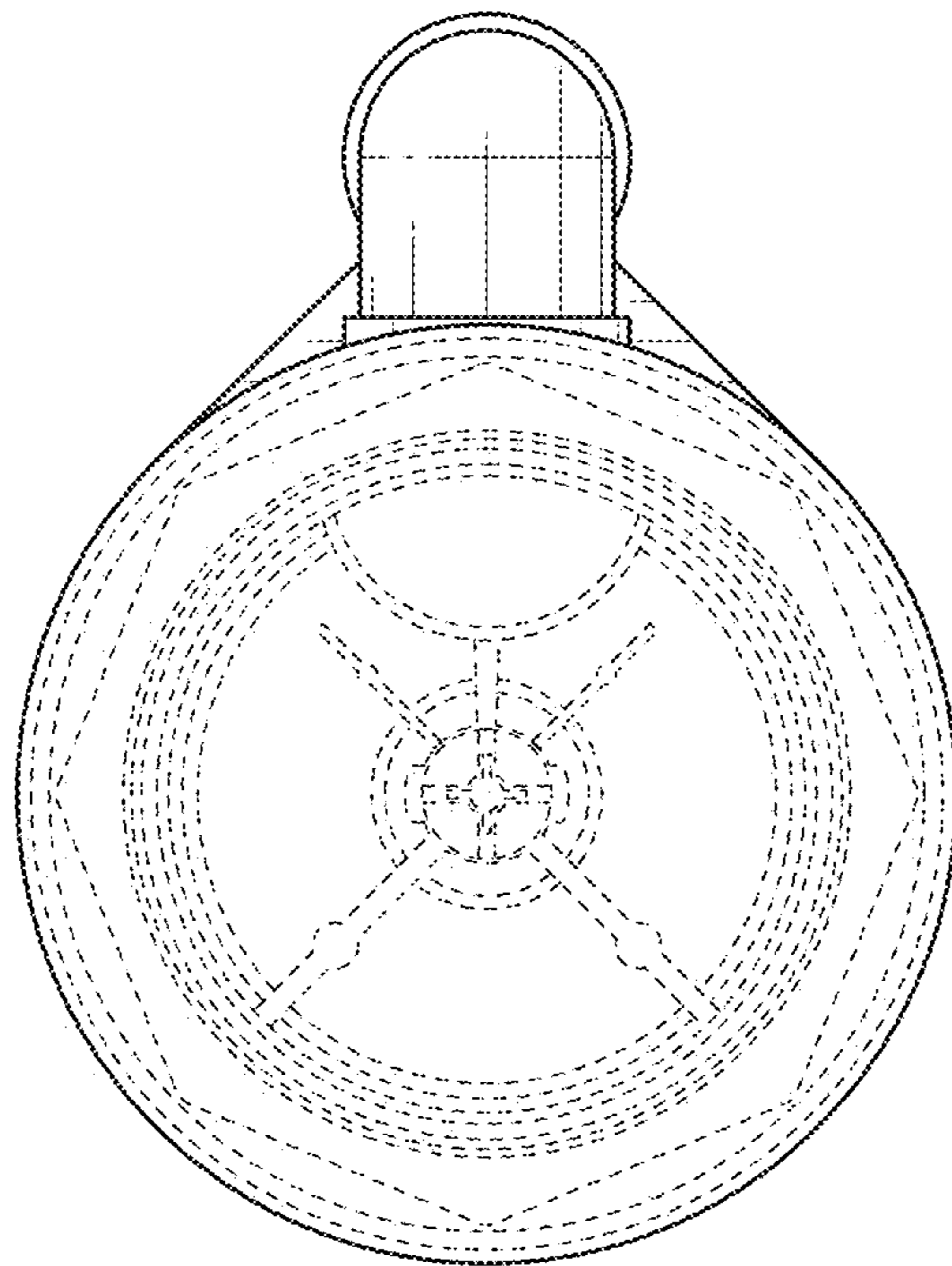


FIG. 7

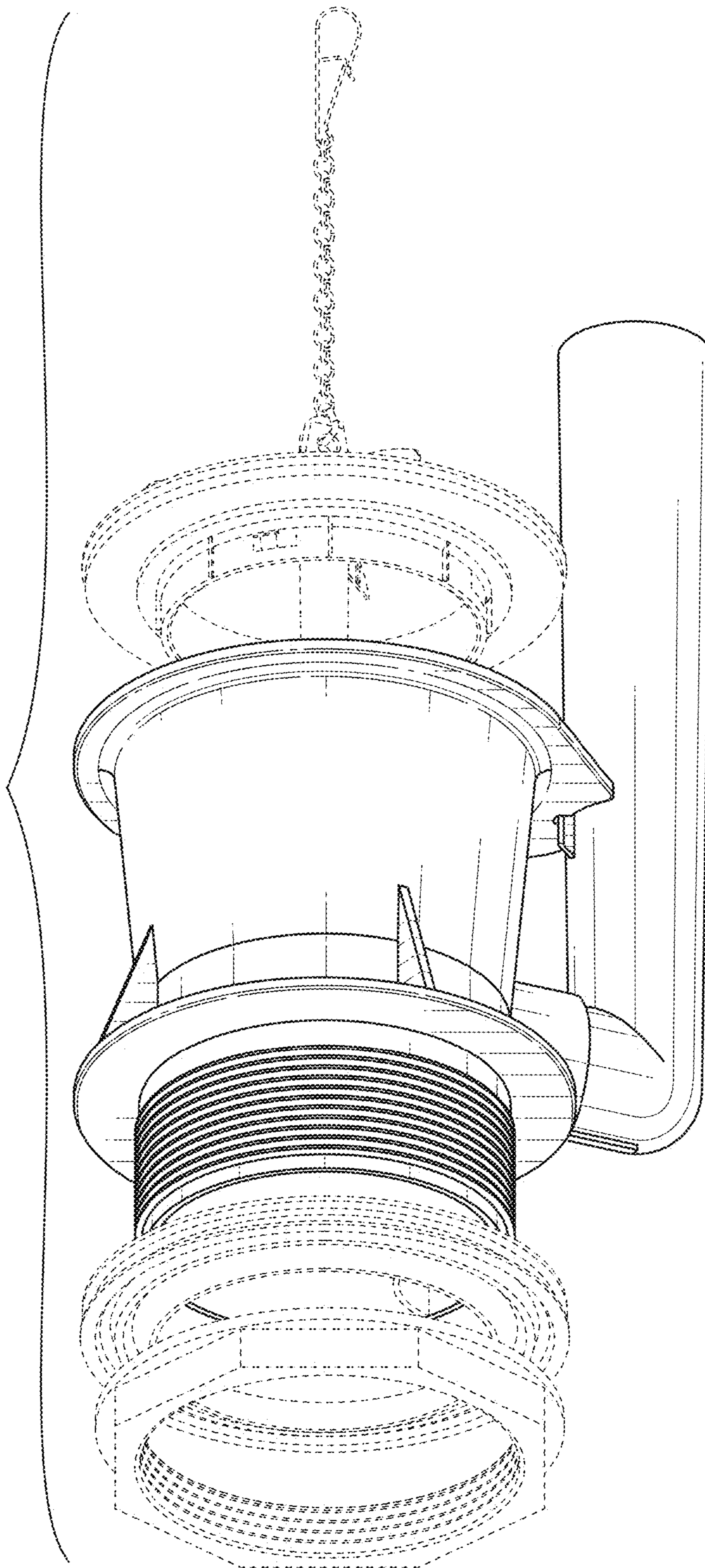


FIG. 8