



US00D967333S

(12) **United States Design Patent**  
**Guo et al.**

(10) **Patent No.:** **US D967,333 S**  
(45) **Date of Patent:** **\*\* Oct. 18, 2022**

- (54) **SHOWER**
- (71) Applicant: **Xiamen Prime Shower Co., Ltd,**  
Xiamen (CN)
- (72) Inventors: **Jing Guo,** Xiamen (CN); **Qin Yu,**  
Xiamen (CN); **Haibo Hong,** Xiamen  
(CN)
- (73) Assignee: **Xiamen Prime Shower Co., Ltd,**  
Xiamen (CN)

- D610,651 S \* 2/2010 Wu ..... D23/223
- 7,866,576 B1 \* 1/2011 Farley ..... E03C 1/0409  
239/553
- D634,810 S \* 3/2011 Yoo ..... D23/213
- D659,796 S \* 5/2012 Farley ..... D23/223
- D659,797 S \* 5/2012 Farley ..... D23/223
- D666,010 S \* 8/2012 Farley ..... D6/309
- D680,619 S \* 4/2013 Zhadanov ..... D23/223
- D681,776 S \* 5/2013 Cutler ..... D23/223
- D698,895 S \* 2/2014 Bollerod
- D744,065 S \* 11/2015 Peterson ..... D23/223

(Continued)

(\*\*) Term: **15 Years**

**OTHER PUBLICATIONS**

(21) Appl. No.: **29/822,207**

WarmSpray Rainfall Shower Head High Pressure, Jun. 6, 2018,  
Amazon.com, Apr. 10, 2021 <https://www.amazon.com/WarmSpray-Pressure-Rainfall-Amazing-Relaxation/dp/B07DKZ6W1Q> (Year: 2018).\*

(22) Filed: **Jan. 6, 2022**

(30) **Foreign Application Priority Data**

(Continued)

Nov. 15, 2021 (CN) ..... 202130746810.2

(51) **LOC (13) Cl.** ..... **23-01**

(52) **U.S. Cl.**  
USPC ..... **D23/223**

(58) **Field of Classification Search**  
USPC ..... D23/213, 214, 215, 223, 224, 226, 229,  
D23/230

CPC ..... A61H 9/0021; A61H 33/00; B05B 1/00;  
B05B 1/14; B05B 1/185; B05B 1/08;  
B05B 1/02; B05B 1/26; B05B 12/002;  
B05B 1/18; B05B 9/01

See application file for complete search history.

(56) **References Cited**

**U.S. PATENT DOCUMENTS**

- 6,537,455 B2 \* 3/2003 Farley ..... C02F 1/003  
210/251
- D559,945 S \* 1/2008 Patterson ..... D23/213
- D562,937 S \* 2/2008 Schonherr et al.
- D564,621 S \* 3/2008 Lammel ..... D23/223
- D578,604 S \* 10/2008 Wu ..... D23/223
- D581,014 S \* 11/2008 Quinn ..... D23/223

*Primary Examiner* — Keith J Wilson

(74) *Attorney, Agent, or Firm* — Wayne IP LLC

(57) **CLAIM**

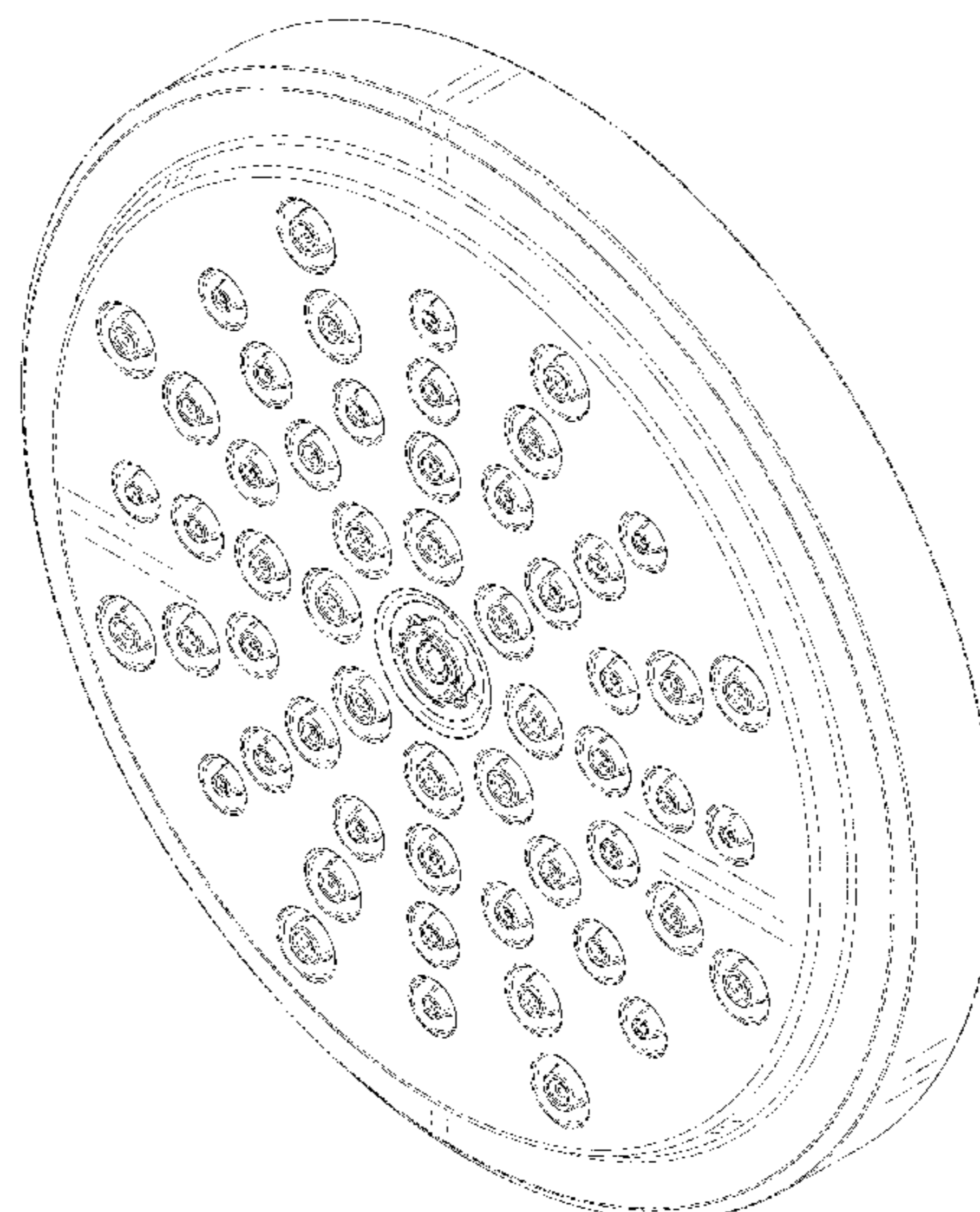
The ornamental design for a shower, as shown and described.

**DESCRIPTION**

FIG. 1 is a front, right, top perspective view of a shower showing our new design;  
 FIG. 2 is a back, left, bottom perspective view thereof;  
 FIG. 3 is a front view thereof;  
 FIG. 4 is a back view thereof;  
 FIG. 5 is a left view thereof;  
 FIG. 6 is a right view thereof;  
 FIG. 7 is a top view thereof; and,  
 FIG. 8 is a bottom view thereof.

The broken lines shown on the drawings depict portions of the shower that form no part of the claimed design.

**1 Claim, 8 Drawing Sheets**



(56)

**References Cited**

U.S. PATENT DOCUMENTS

D744,611 S \* 12/2015 Quinn ..... D23/223  
 D755,346 S \* 5/2016 Yan ..... D23/223  
 9,404,243 B2 \* 8/2016 Cacka ..... B05B 1/1654  
 D779,039 S \* 2/2017 Hanna ..... D23/223  
 9,764,339 B2 \* 9/2017 Yu ..... B05B 1/18  
 D810,861 S \* 2/2018 Weaver ..... D23/213  
 D820,388 S 6/2018 Seum et al.  
 D820,949 S \* 6/2018 Reinecker ..... D23/213  
 D842,967 S \* 3/2019 Farley ..... D23/213  
 10,234,054 B1 \* 3/2019 Yang ..... F16K 31/52408  
 D857,842 S \* 8/2019 Yu ..... D23/213  
 2012/0031511 A1 \* 2/2012 Farley ..... E03C 1/0408  
 137/544  
 2019/0091715 A1 \* 3/2019 Mercado ..... B05B 1/185

OTHER PUBLICATIONS

Kohler 13688-BL Showerhead, Apr. 15, 2018, Amazon.com. Apr. 10, 2021. URL: <https://www.amazon.com/13688-TT-Contemporary-rainhead-Katalyst-air-induction/dp/B07D2T37MQ?th=1> (Year: 2018).\*

SparkPod Shower Head—High Pressure Rain, Oct. 21, 2017, amazon.ca, Aug. 19, 2022, URL: <https://www.amazon.ca/SparkPod-Shower-Head-Installation-Replacement/dp/B074PR4FRT/> (Year: 2017).\*

12 Inch top Shower Head Shower Body Jets Sprayer Shower Spa, Jul. 17, 2021, Aug. 19, 2022, URL: [https://www.amazon.ca/dp/B099PSTV5K/ref=sbl\\_dp\\_ca-home-improvement-bathroom-fixed-showerheads\\_B09Y8VZ312\\_0](https://www.amazon.ca/dp/B099PSTV5K/ref=sbl_dp_ca-home-improvement-bathroom-fixed-showerheads_B09Y8VZ312_0) (Year: 2021).\*

\* cited by examiner

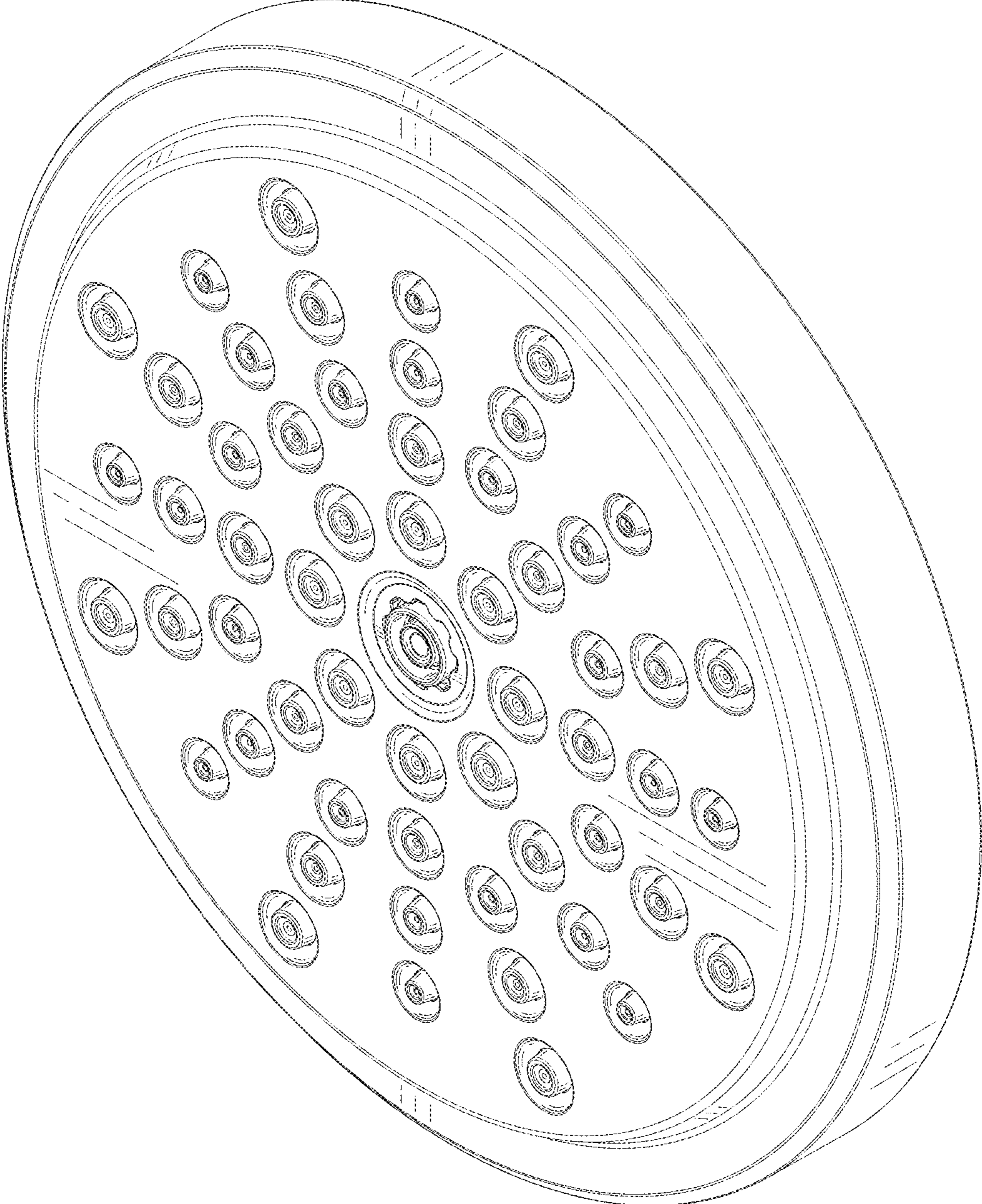


FIG. 1

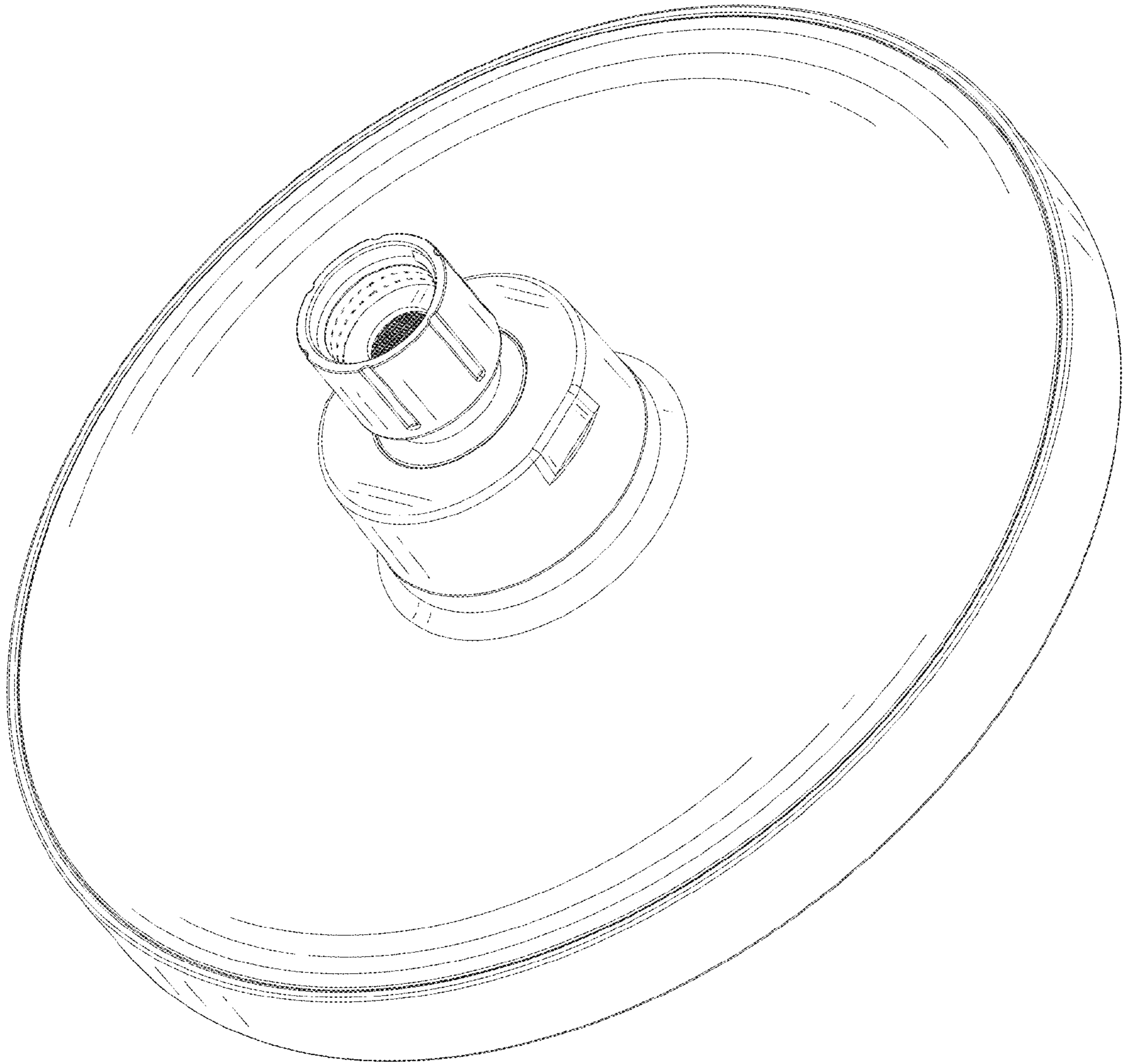


FIG. 2

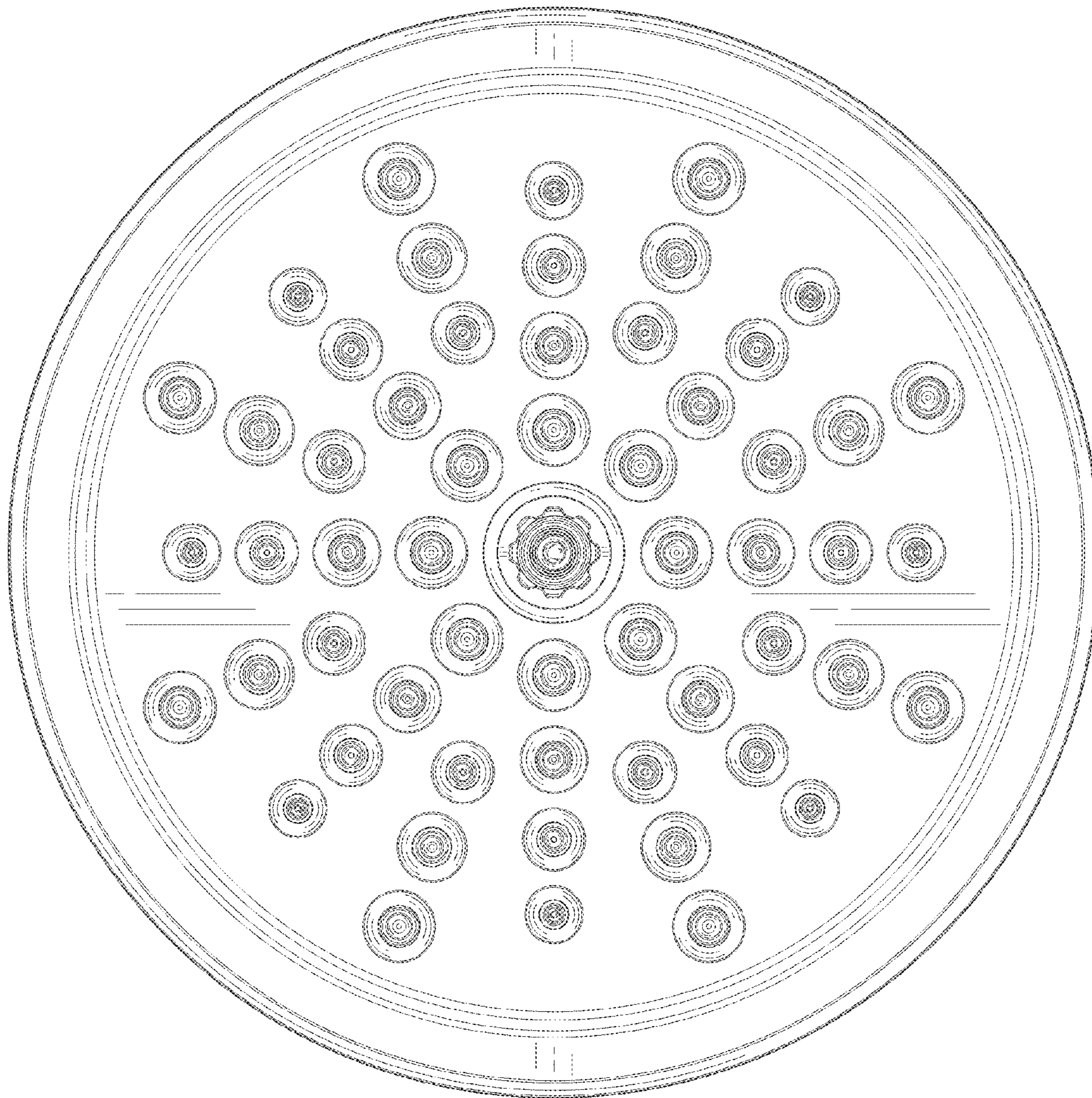


FIG. 3

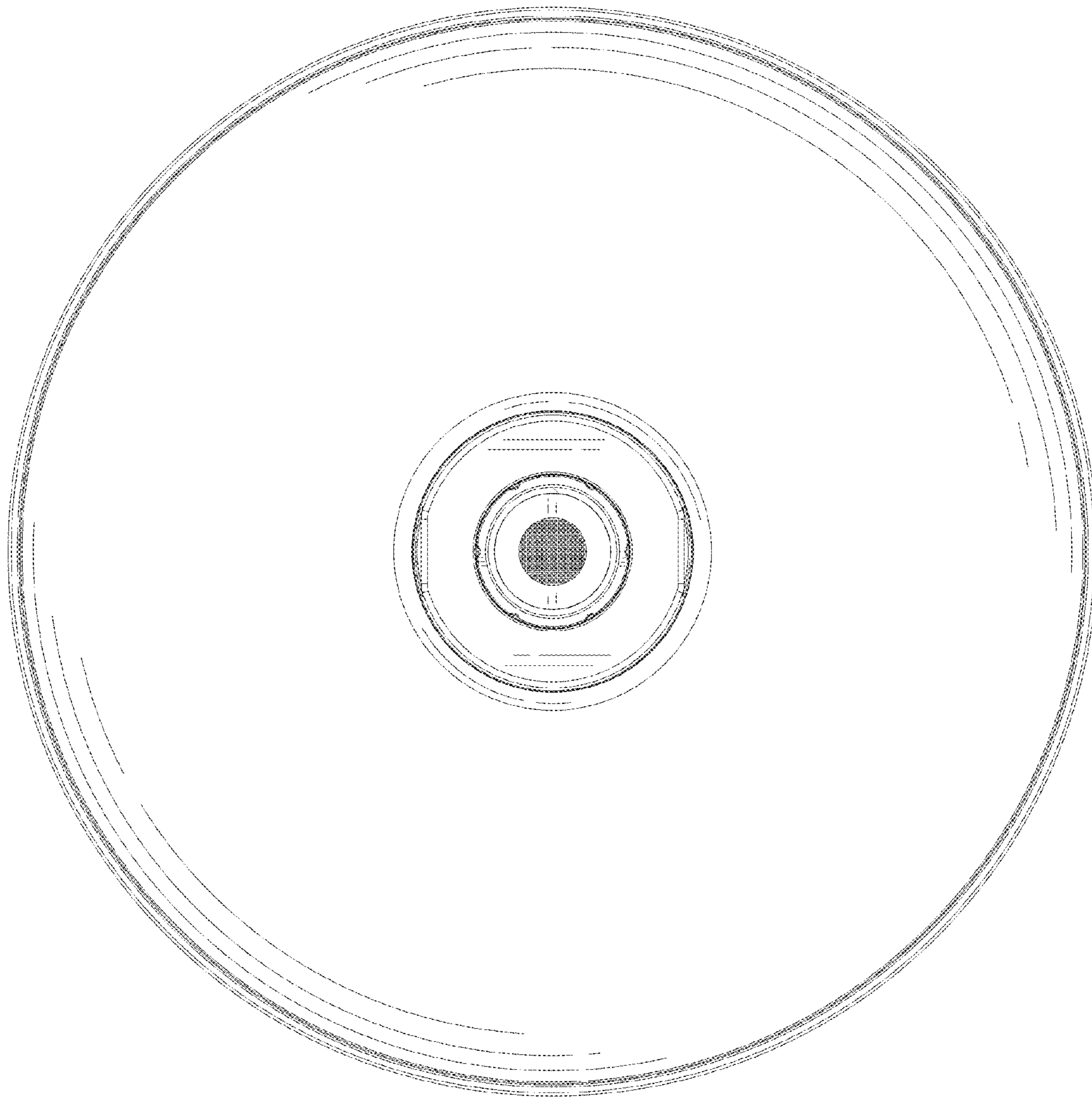


FIG. 4

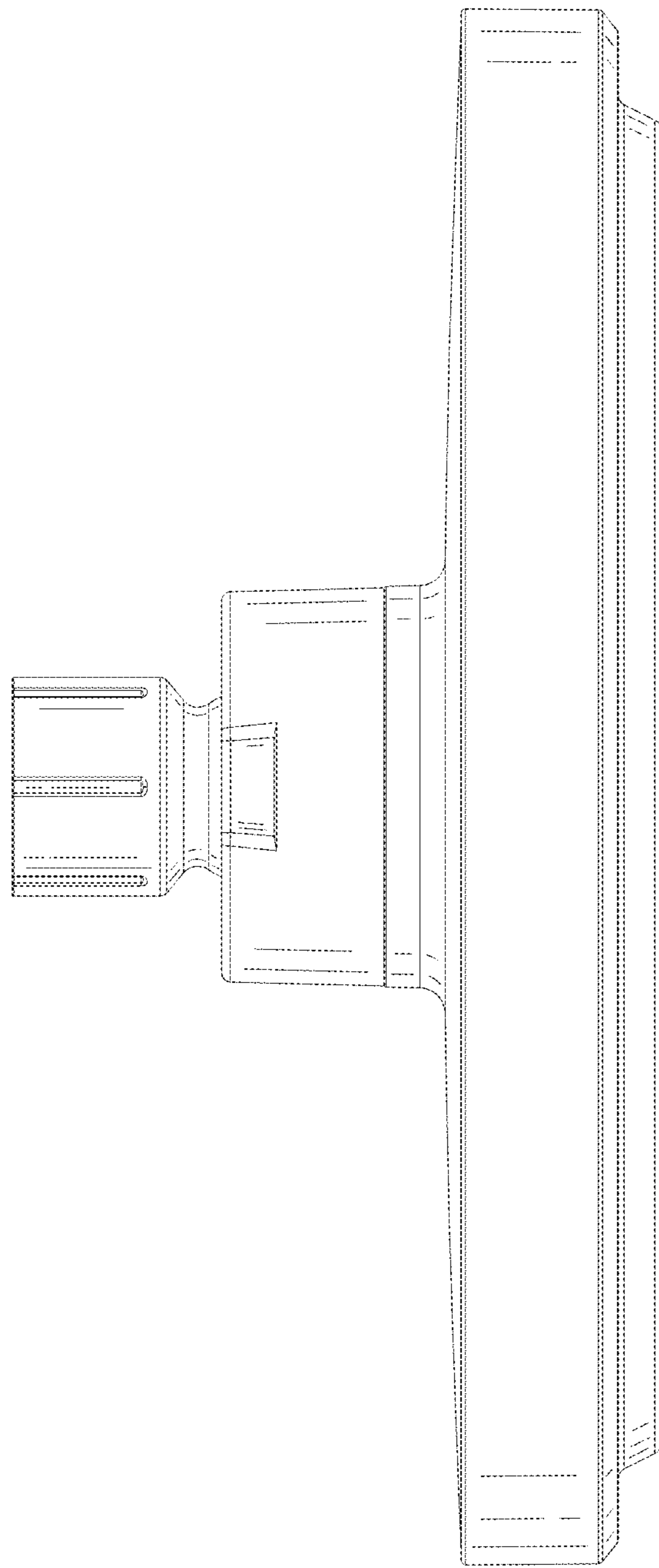


FIG. 5

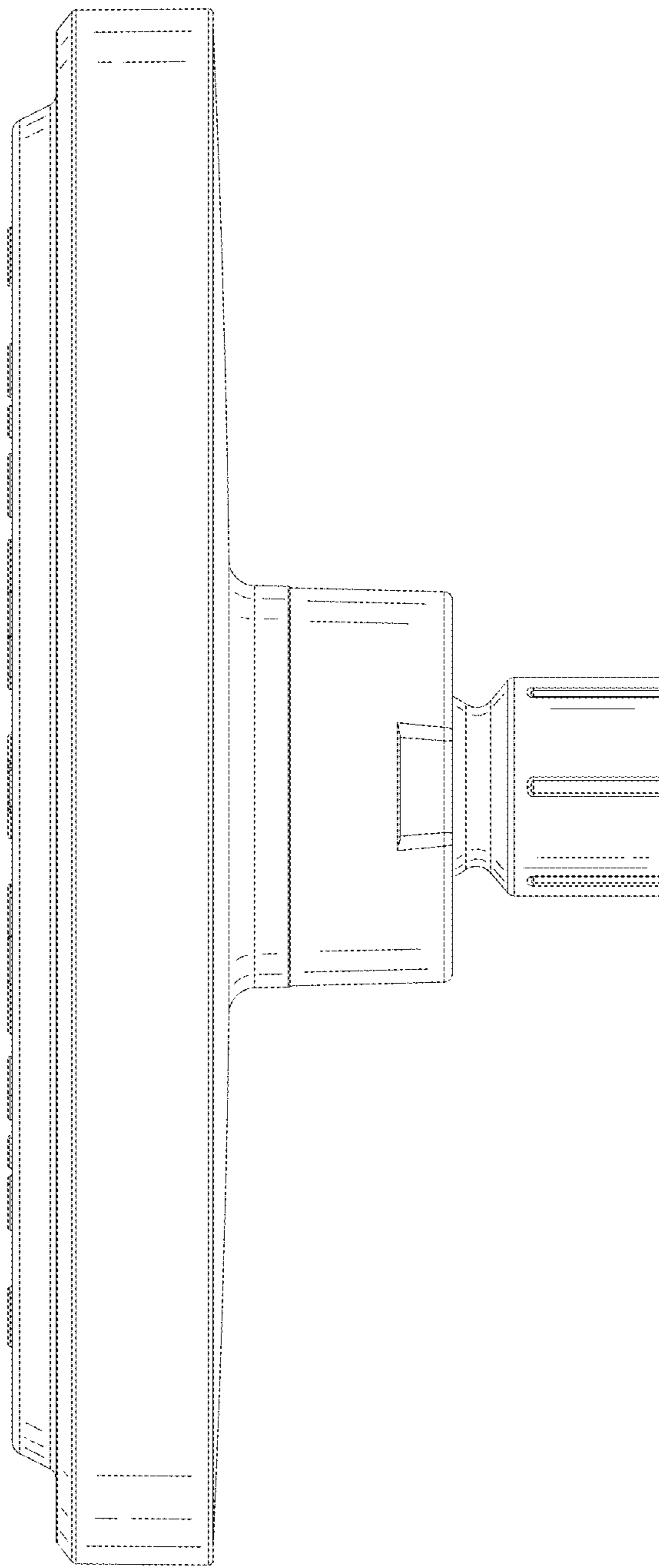


FIG. 6



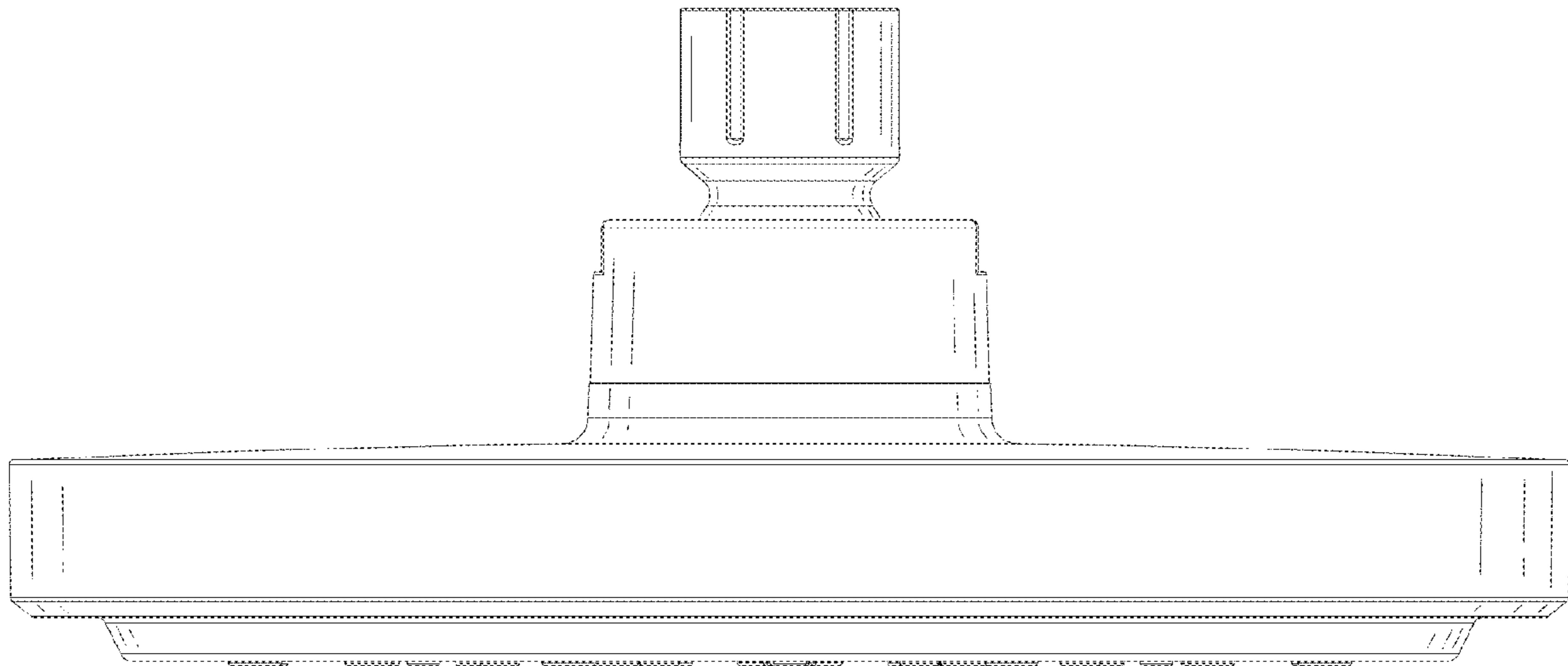


FIG. 7

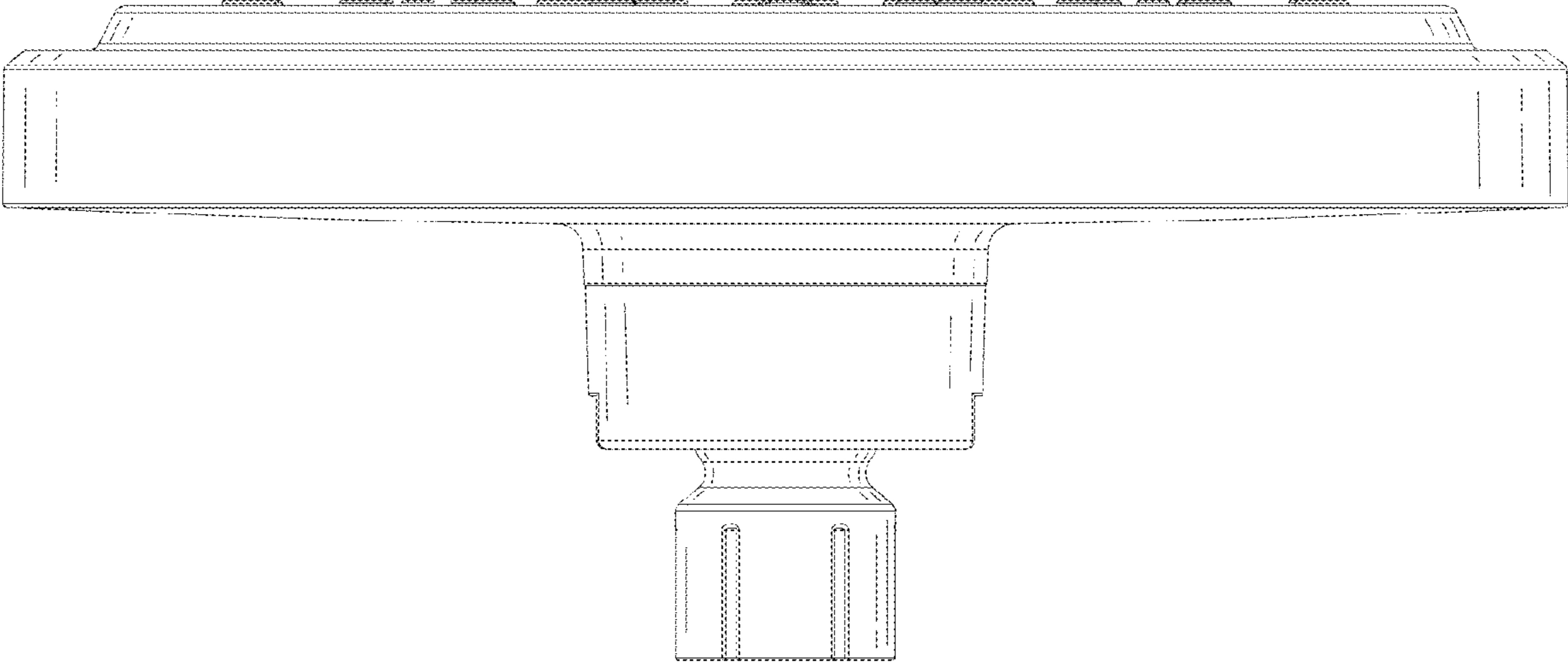


FIG. 8