

US00D967332S

(12) **United States Design Patent**
Birmelin

(10) **Patent No.:** **US D967,332 S**
(45) **Date of Patent:** **** Oct. 18, 2022**

- (54) **FAUCET STREAM STRAIGHTENER**
- (71) Applicant: **Neoperl GmbH**, Mullheim (DE)
- (72) Inventor: **David Birmelin**, Mullheim (DE)
- (73) Assignee: **Neoperl GmbH**, Müllheim (DE)
- (**) Term: **15 Years**
- (21) Appl. No.: **29/687,071**
- (22) Filed: **Apr. 10, 2019**

Related U.S. Application Data

- (62) Division of application No. 35/503,851, filed on Sep. 25, 2017 (U.S. filing date under 35 U.S.C. 384), and having an international filing date of Sep. 25, 2017, now Pat. No. Des. 851,208.
- (51) **LOC (13) Cl.** **23-01**
- (52) **U.S. Cl.**
USPC **D23/213**
- (58) **Field of Classification Search**
USPC D23/213, 229, 233, 235, 247-249, 264
CPC B05B 7/0425; E03C 1/08; E03C 1/084;
E03C 1/086; E03C 2001/026
See application file for complete search history.

(56) **References Cited**

U.S. PATENT DOCUMENTS

- D609,785 S 2/2010 Grether et al.
- D682,986 S 5/2013 Grether

- D684,241 S 6/2013 Tempel
- D691,238 S 10/2013 Grether
- D728,740 S * 5/2015 Tempel D23/213
- D728,741 S * 5/2015 Blum D23/213
- D733,255 S 6/2015 Blum
- D752,710 S 3/2016 Tempel
- D753,792 S 4/2016 Blum
- D776,240 S * 1/2017 Huang D23/213
- D776,242 S 1/2017 Blum
- D788,264 S 5/2017 Stein
- D797,236 S * 9/2017 Blum D23/213
- D822,159 S * 7/2018 Tempel D23/213

* cited by examiner

Primary Examiner — Keli L Hill

(74) *Attorney, Agent, or Firm* — Volpe Koenig

(57) **CLAIM**

I claim the ornamental design for a faucet stream straightener, as shown and described.

DESCRIPTION

FIG. 1 is a top plan view of a first embodiment of a faucet straightener in accordance with my design;
 FIG. 2 is a top perspective view thereof;
 FIG. 3 is a bottom plan view thereof;
 FIG. 4 is a bottom perspective view thereof;
 FIG. 5 is a front elevational view thereof;
 FIG. 6 is a rear elevational view thereof;
 FIG. 7 is a left side elevational view thereof; and,
 FIG. 8 is a right side elevational view thereof.
 The broken lines shown represent portions of the faucet stream straightener that form no part of the claimed design.

1 Claim, 4 Drawing Sheets

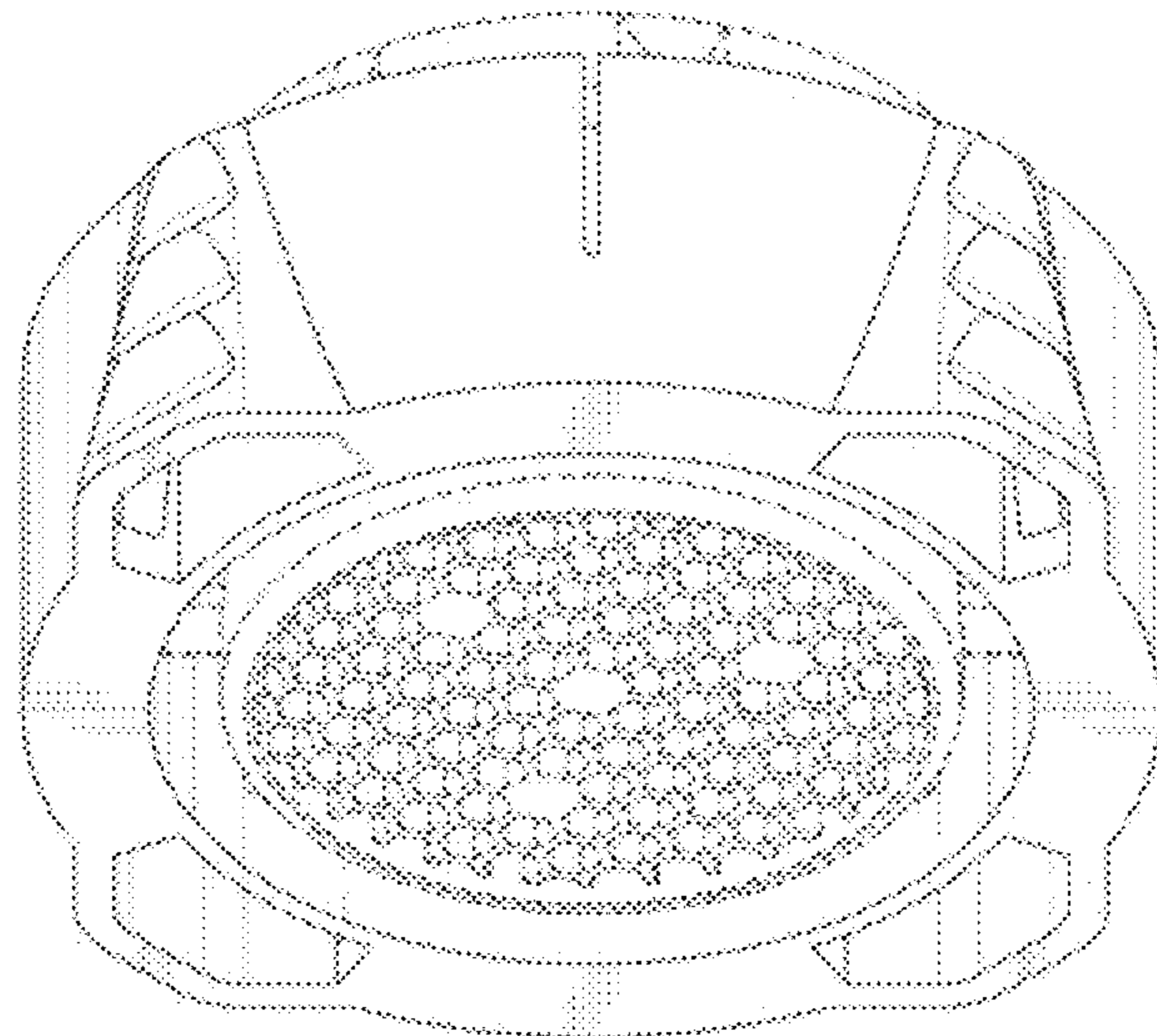
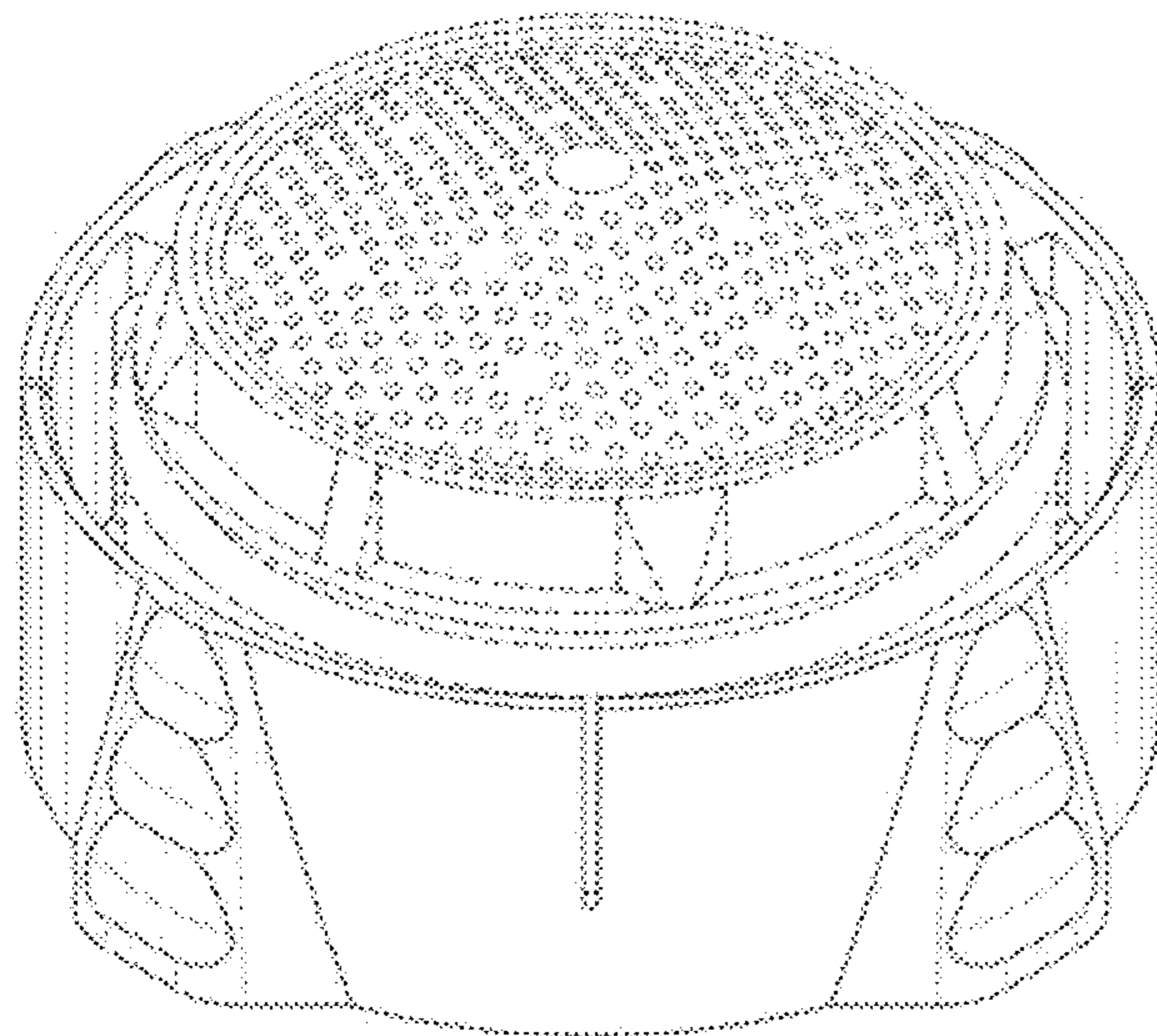


Fig. 1

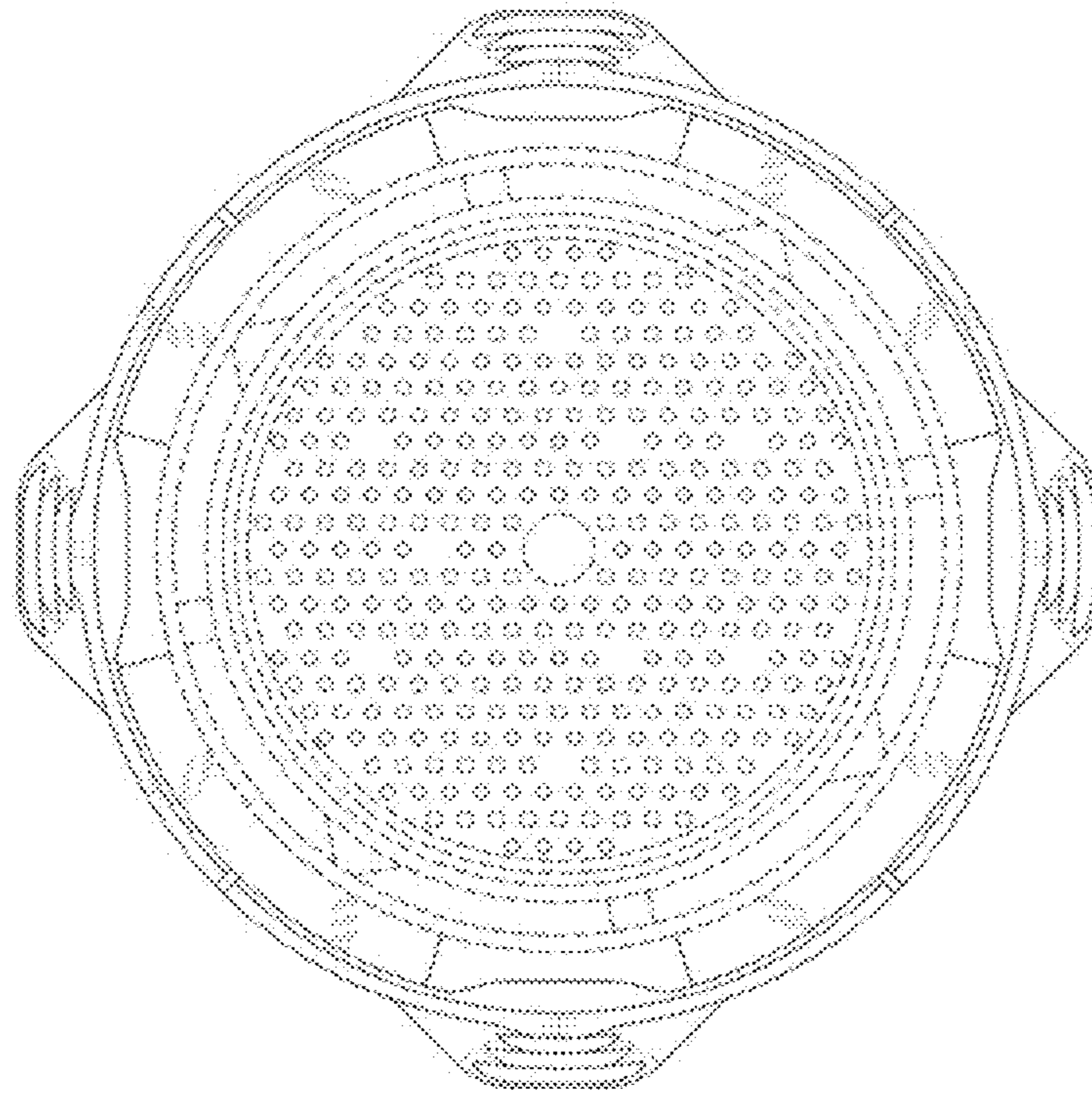


Fig. 2

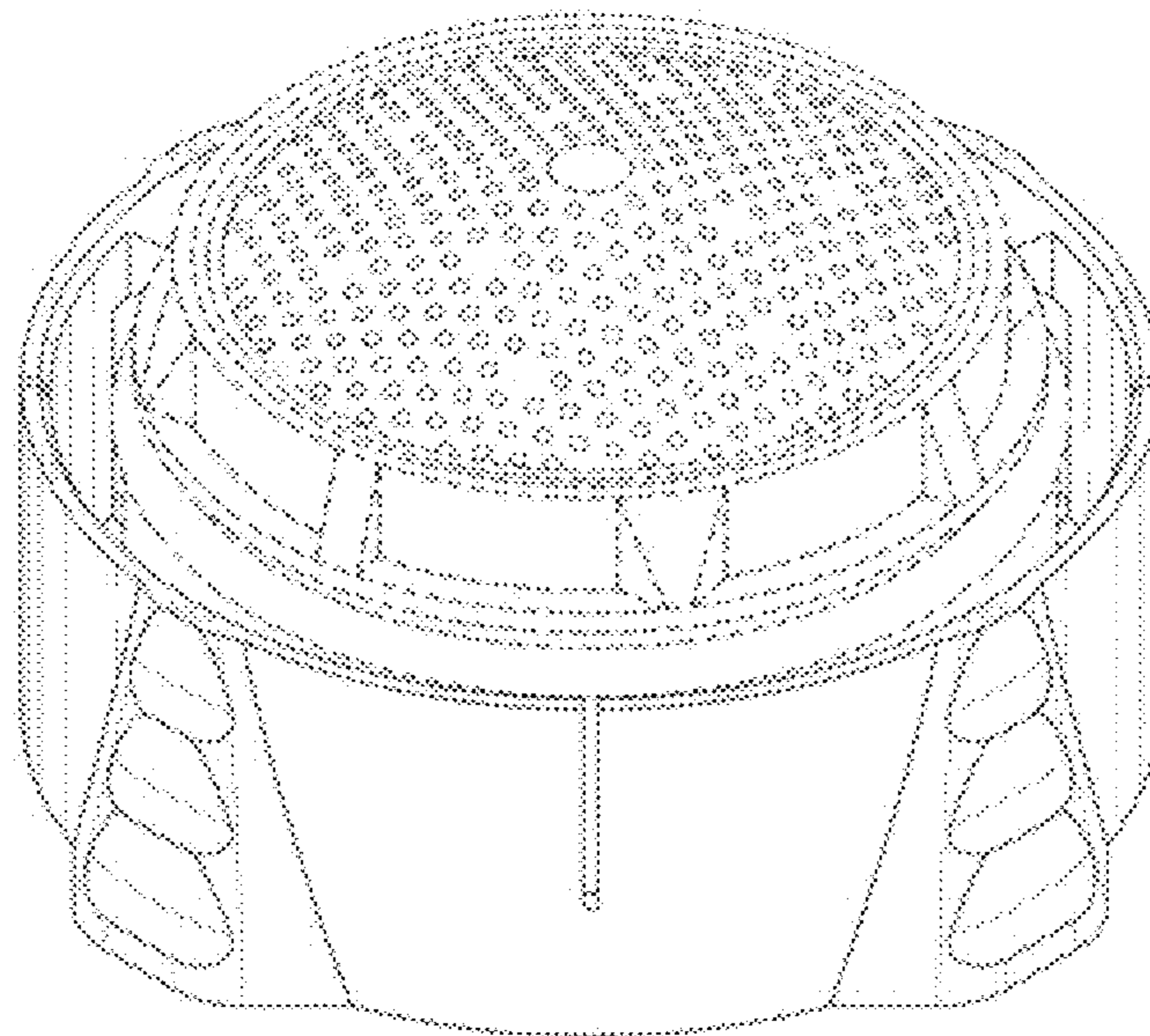


Fig. 3

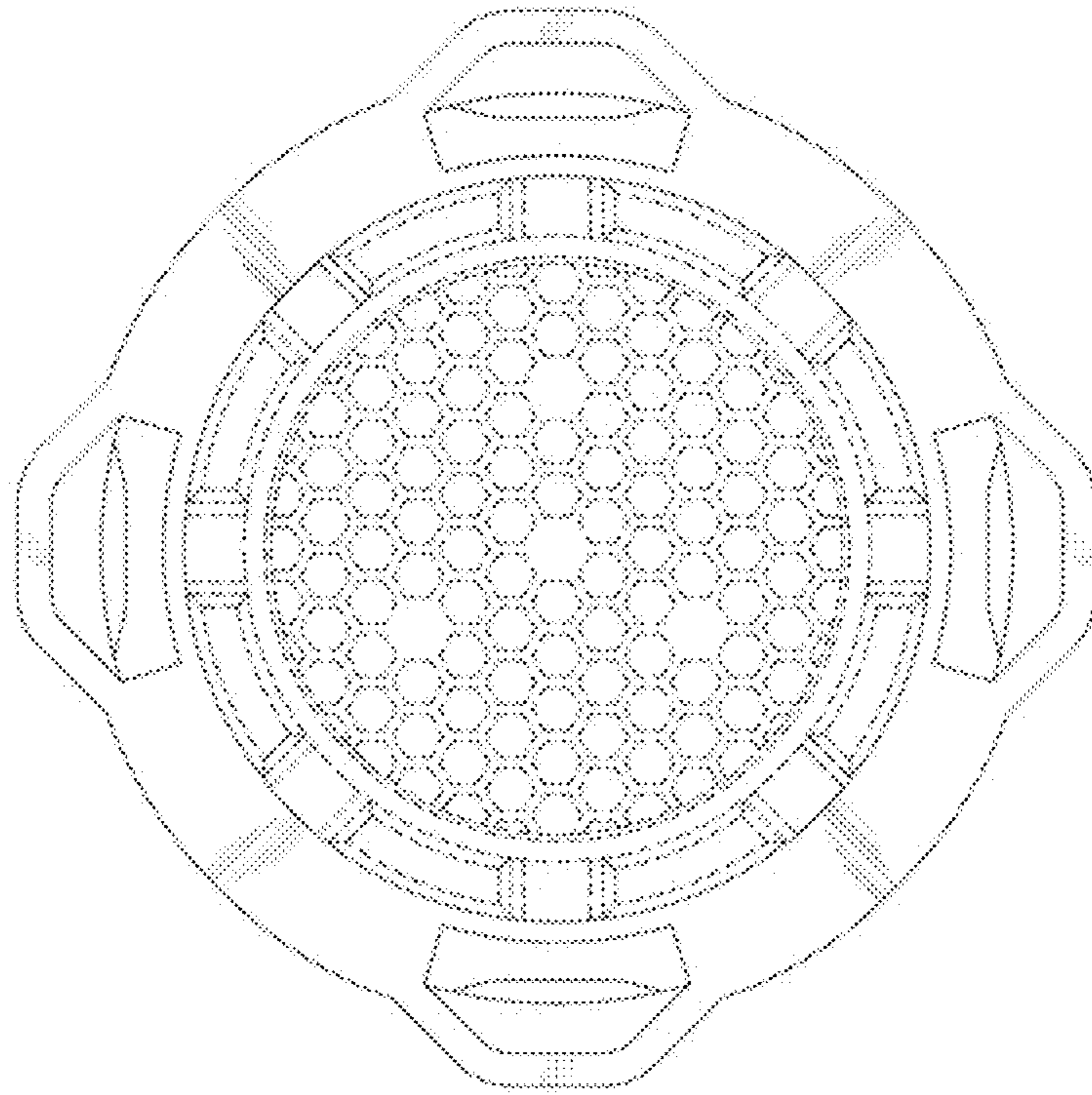


Fig. 4

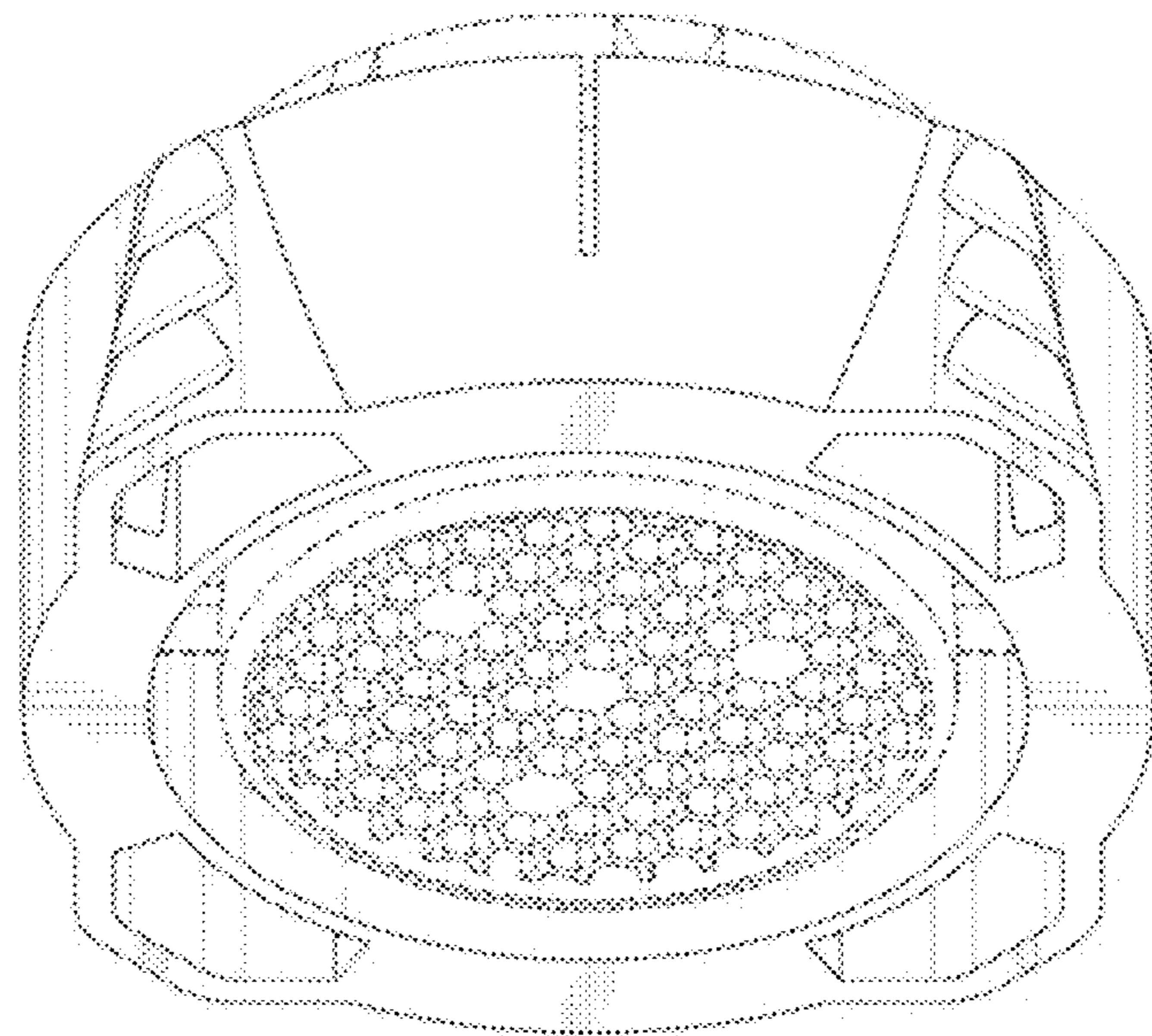


Fig. 5

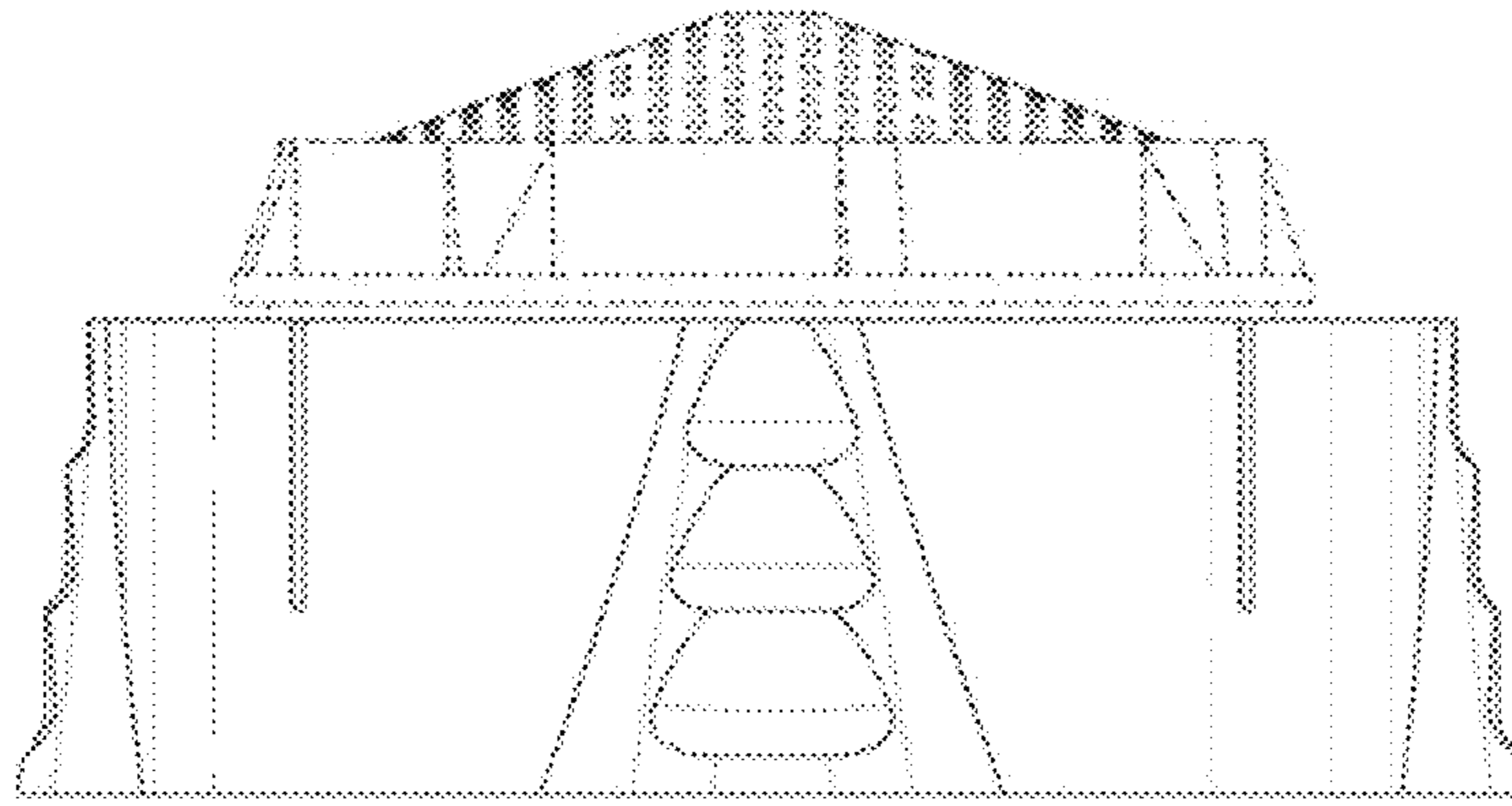


Fig. 6

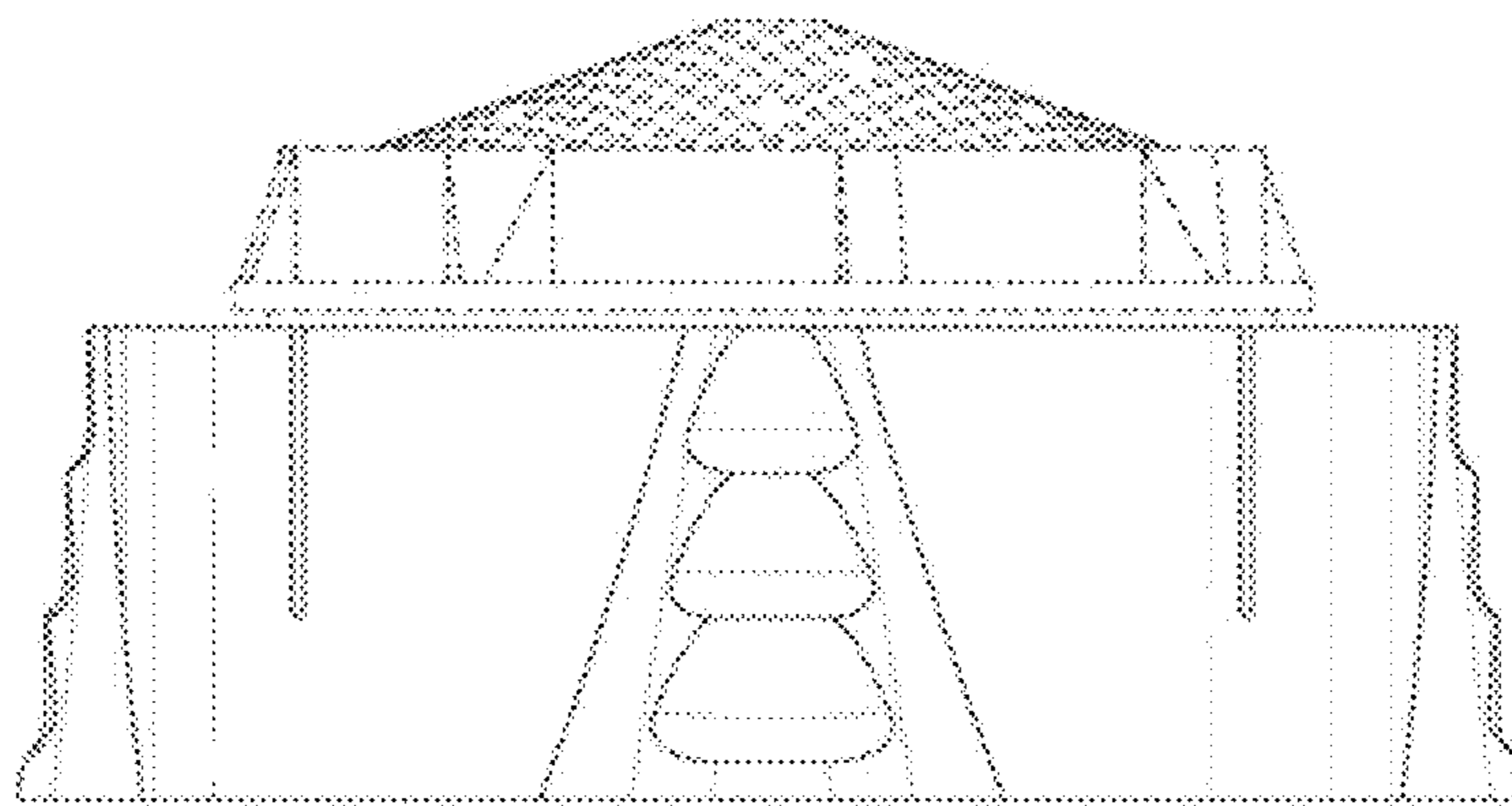


Fig. 7

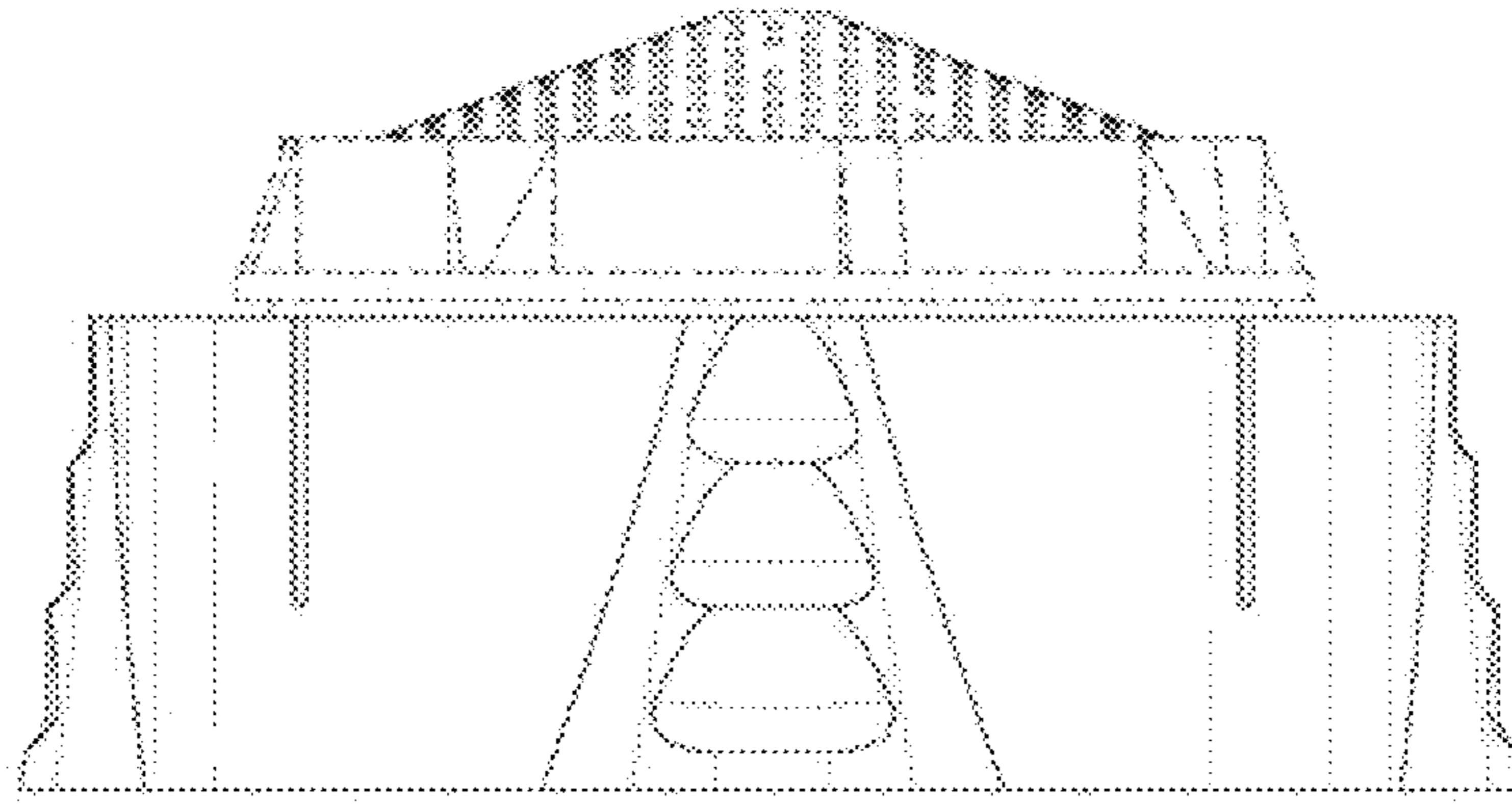


Fig. 8

