



(56)

References Cited

U.S. PATENT DOCUMENTS

5,573,047 A \* 11/1996 Akin ..... B67D 3/0029  
141/330  
6,139,738 A 10/2000 Maxwell  
6,251,273 B1 6/2001 Jawurek et al.  
6,402,798 B1 \* 6/2002 Kallsen ..... B01D 46/24  
55/504  
6,409,804 B1 6/2002 Cook et al.  
6,706,181 B1 3/2004 Baumann et al.  
6,835,305 B1 12/2004 Baumann et al.  
6,936,169 B2 8/2005 Baumann et al.  
7,237,681 B2 7/2007 Brieden et al.  
7,527,739 B2 5/2009 Jiang et al.  
8,673,138 B2 3/2014 Braunheim  
9,108,125 B2 8/2015 Braunheim  
9,205,355 B2 12/2015 Deschamps et al.  
9,333,448 B2 5/2016 Braunheim et al.  
D775,311 S \* 12/2016 Cooper ..... B01D 46/0002  
D23/209  
9,810,373 B2 11/2017 Braunheim  
10,035,090 B2 \* 7/2018 Kollmann ..... B01D 35/306  
10,265,650 B2 \* 4/2019 Schadler ..... G01F 23/242  
10,669,975 B2 \* 6/2020 Hensinger ..... B01D 35/153  
2005/0274664 A1 12/2005 Stoehr et al.  
2007/0084776 A1 4/2007 Sasur  
2007/0240390 A1 10/2007 Becker et al.  
2008/0024719 A1 1/2008 Kamishita et al.  
2009/0008321 A1 1/2009 Tanner et al.  
2009/0024104 A1 \* 1/2009 Keller ..... A61M 5/2459  
604/411  
2009/0057219 A1 \* 3/2009 Bagci ..... B01D 35/1435  
210/473  
2011/0017649 A1 1/2011 Sasur  
2011/0089091 A1 4/2011 Grass et al.  
2013/0340231 A1 \* 12/2013 Lu ..... B01D 46/0002  
29/428  
2020/0406170 A1 \* 12/2020 Kollmann ..... B01D 29/111  
2020/0406176 A1 \* 12/2020 Kollmann ..... B01D 35/005

FOREIGN PATENT DOCUMENTS

DE 3941996 A1 6/1991  
DE 19707132 A1 8/1998  
DE 19904981 A1 8/2000  
DE 19951085 A1 4/2001

DE 10308427 A1 9/2004  
DE 102005000658 A1 7/2006  
DE 102005015194 A1 10/2006  
DE 202006006084 U1 8/2007  
DE 202006017305 U1 3/2008  
DE 102007048550 A1 4/2008  
DE 102007009352 A1 8/2008  
DE 102008011616 A1 9/2008  
DE 102009024699 A1 12/2010  
DE 102012000876 C5 10/2014  
DE 102019105255 A1 9/2020  
EP 0260069 A2 3/1988  
EP 0385113 A2 9/1990  
EP 0405447 A2 1/1991  
EP 1233173 A2 8/2002  
EP 1695753 A1 8/2006  
JP 7217577 A 8/1995  
WO WO-0110533 A1 2/2001  
WO WO-2005123216 A1 12/2005  
WO WO-2006105755 A1 10/2006  
WO WO-2009080455 A1 7/2009

OTHER PUBLICATIONS

Abstract of DE 103 08 427 A1.  
Abstract of DE 10 2007 039679 A1 equivalent application to DE 20  
2006 017 305 A1.  
Abstract for DE 39 41 996 A1 of equivalent application EP  
0433664.  
Abstract of DE 10 2007 009 352 A1.  
Abstract of DE 199 51 085 A1.  
Abstract DE 10 2005 015 194 A1.  
Abstract JP 7217577.  
International Search Report PCT/EP2010/062585, dated Dec. 6,  
2010.  
European examination report dated Jun. 14, 2013.  
English abstract for EP-0385113.  
English abstract for EP-1233173.  
English abstract for DE-102007048550.  
English abstract for DE-102012000876-C5.  
English abstract for DE-3903675-A1.  
English abstract for DE-102009024699-A1.  
English abstract for DE-19904981-A1.  
English abstract for DE-102008011616-A1.

\* cited by examiner

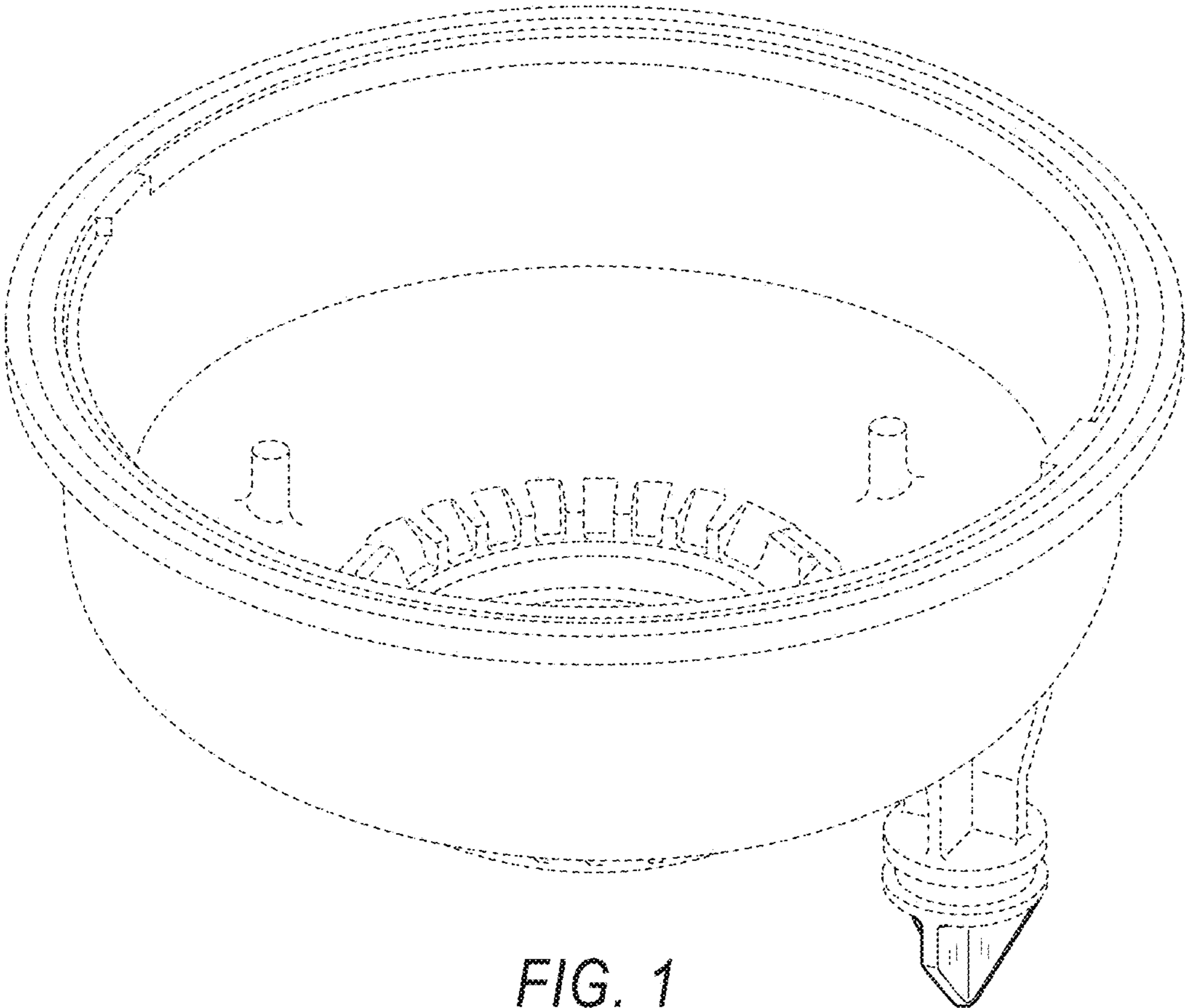


FIG. 1

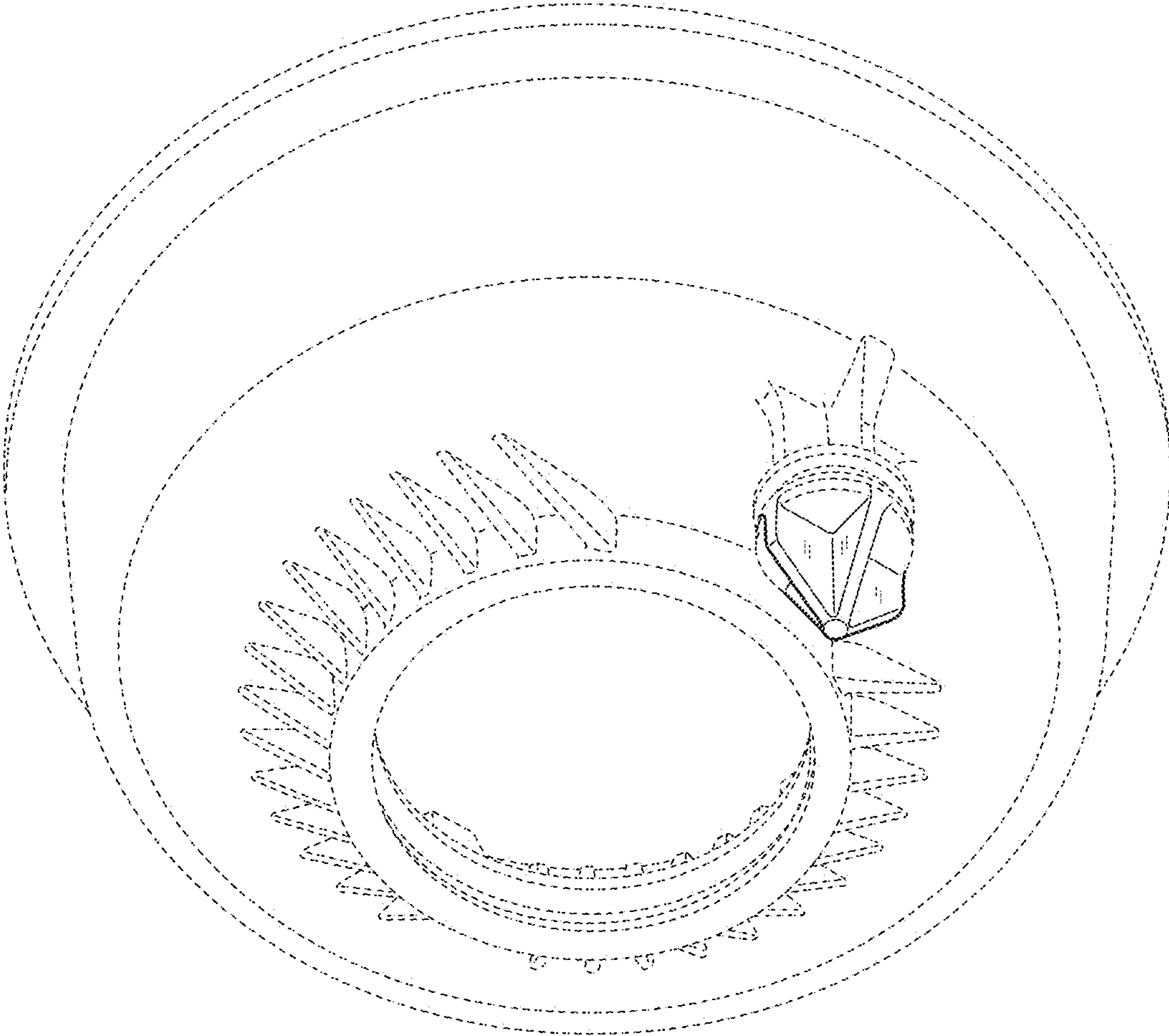
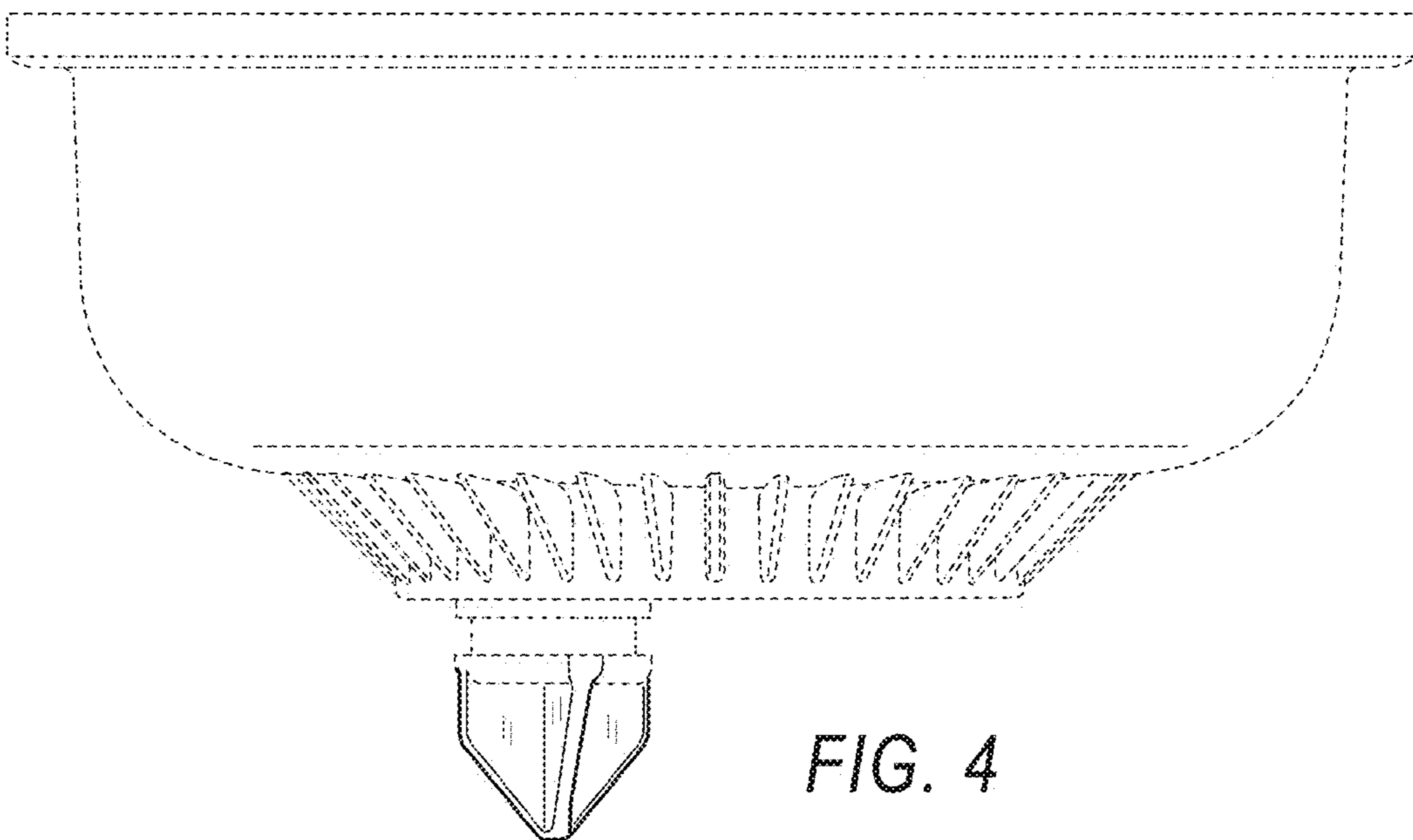
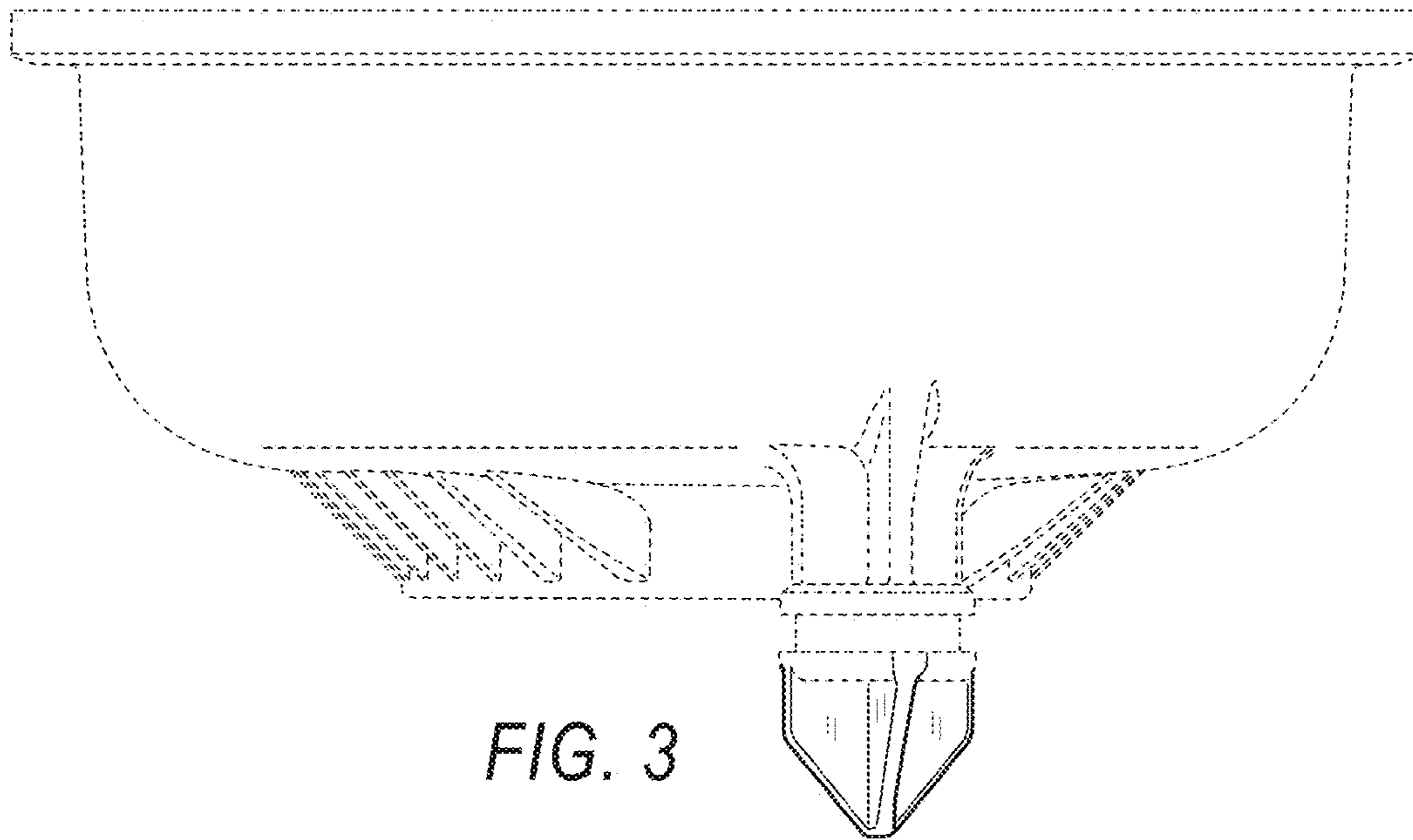


FIG. 2



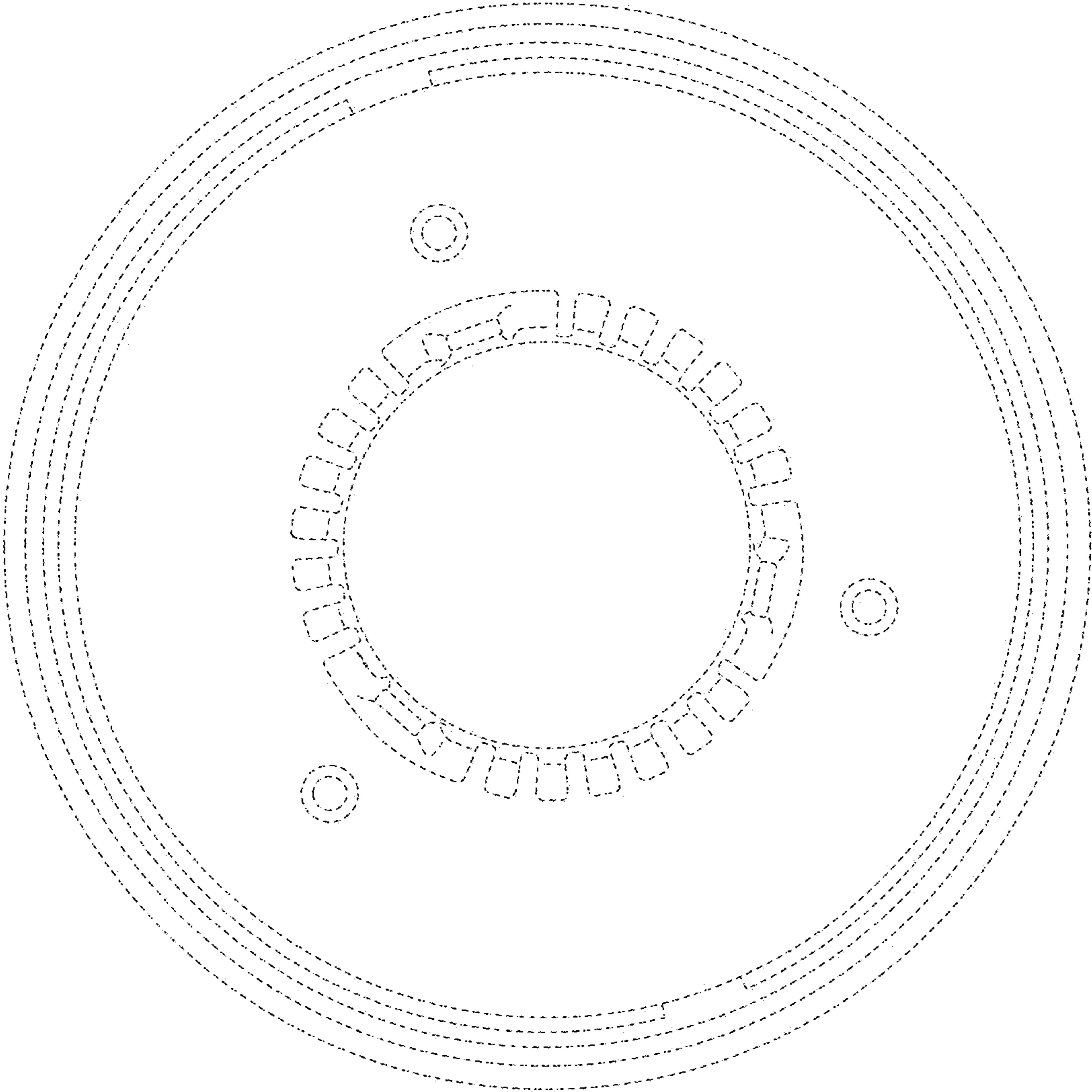


FIG. 5

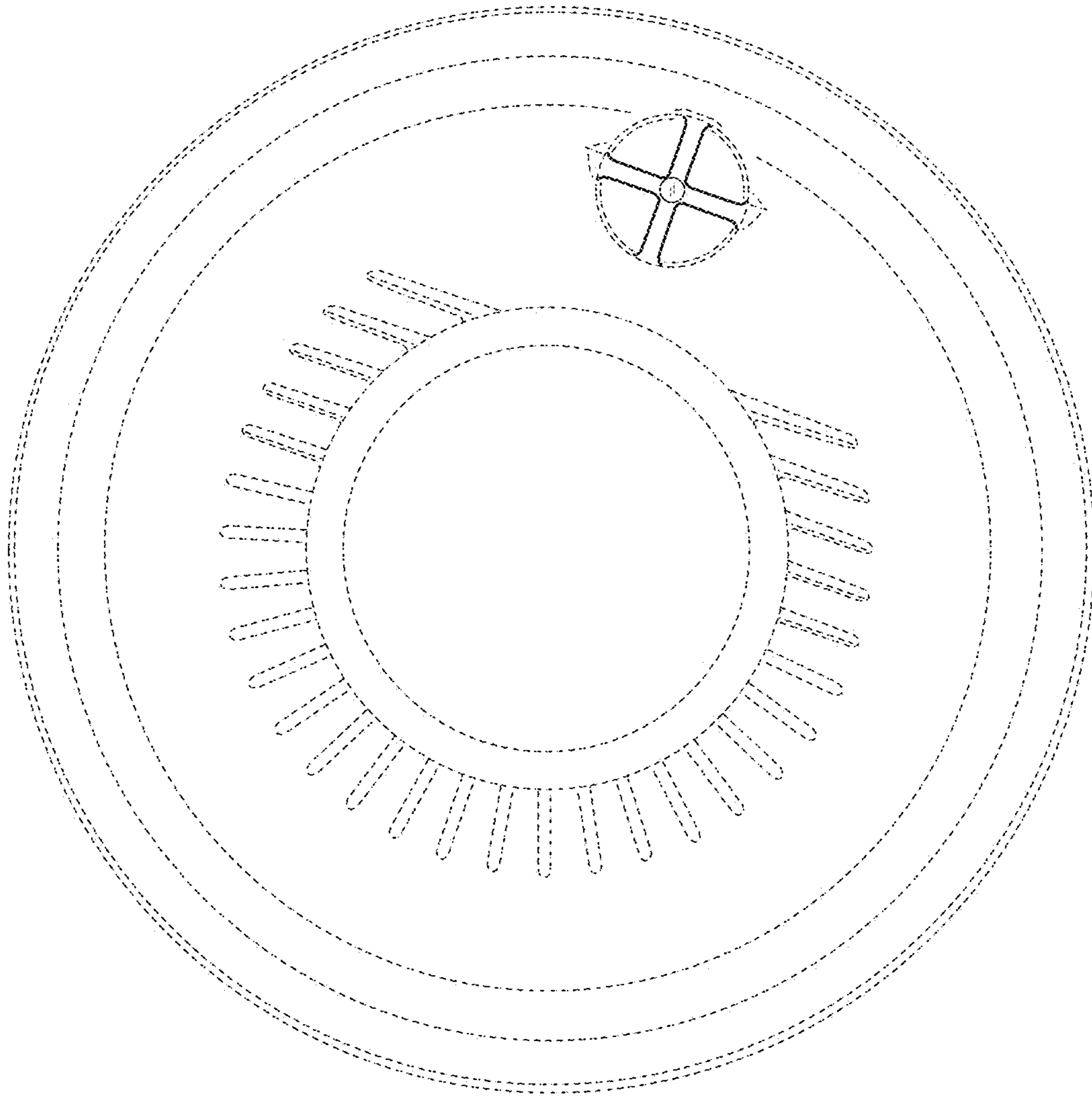


FIG. 6

