



US00D967329S

(12) **United States Design Patent** (10) **Patent No.:** **US D967,329 S**
Kollmann et al. (45) **Date of Patent:** **** Oct. 18, 2022**

(54) **END PLATE FOR A FILTER ELEMENT**

8,157,107 B2 * 4/2012 Weindorf B01D 35/153
210/441
D677,763 S * 3/2013 Laera B29C 48/255
D23/260
D760,027 S * 6/2016 Meyers A47J 31/3695
D9/503

(71) Applicant: **Mahle International GmbH**, Stuttgart
(DE)

(72) Inventors: **Andreas Kollmann**, Eitweg (AT);
Patrick Wieler, Urbach (DE)

(Continued)

(73) Assignee: **Mahle International GmbH**

FOREIGN PATENT DOCUMENTS

(**) Term: **15 Years**

DE 3903675 A1 8/1990
DE 19707132 A1 8/1998

(Continued)

(21) Appl. No.: **29/684,501**

OTHER PUBLICATIONS

(22) Filed: **Mar. 21, 2019**

English abstract for DE-102012000876-C5.

(51) **LOC (13) Cl.** **23-01**

(Continued)

(52) **U.S. Cl.**

USPC **D23/209**

(58) **Field of Classification Search**

USPC D23/200, 207, 209, 365, 260, 261;
D9/500, 503, 545, 746

CPC B01D 35/30; B01D 35/303; B01D 35/306;
B01D 2201/4046; B01D 27/08; B01D
46/2414; B01D 2201/162; B01D
2201/291; B01D 2201/4053; B01D
2201/4092; C02F 1/003

See application file for complete search history.

Primary Examiner — Calvin E Vansant

(74) *Attorney, Agent, or Firm* — Fishman Stewart PLLC

(57) **CLAIM**

The ornamental design for an end plate for a filter element,
as shown and described.

DESCRIPTION

FIG. 1 is a top perspective view an end plate for a filter element;

FIG. 2 is a bottom perspective view of an end plate for a filter element;

FIG. 3 is a front view of an end plate for a filter element;

FIG. 4 is a back view of an end plate for a filter element;

FIG. 5 is a top view of an end plate for a filter element;

FIG. 6 is a bottom view of an end plate for a filter element;

FIG. 7 is a left-side view of an end plate for a filter element;

and,

FIG. 8 is a right-side view of an end plate for a filter element.

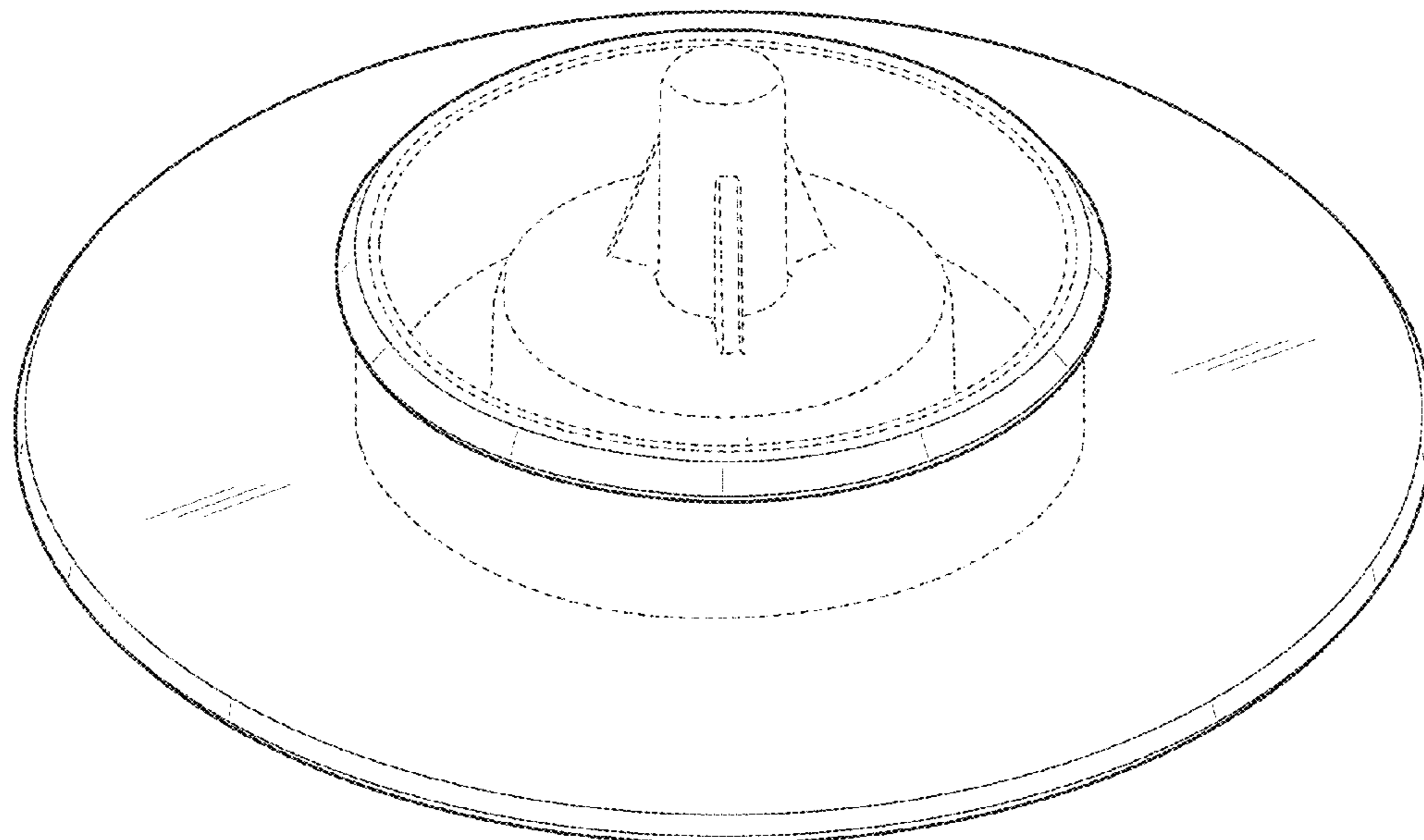
The broken lines in the drawings depict portions of the end plate for a filter element and form no part of the claimed design.

(56) **References Cited**

U.S. PATENT DOCUMENTS

D317,059 S * 5/1991 Menter D26/117
D317,965 S * 7/1991 Svensson D23/209
D320,559 S * 10/1991 Olson D9/454
D418,758 S * 1/2000 Yucknut D9/503
6,251,273 B1 6/2001 Jawurek et al.
D547,821 S * 7/2007 Kennedy D23/209
7,736,503 B2 * 6/2010 Kennedy B01D 65/104
210/240
D620,075 S * 7/2010 Yamaguchi D23/209

1 Claim, 5 Drawing Sheets



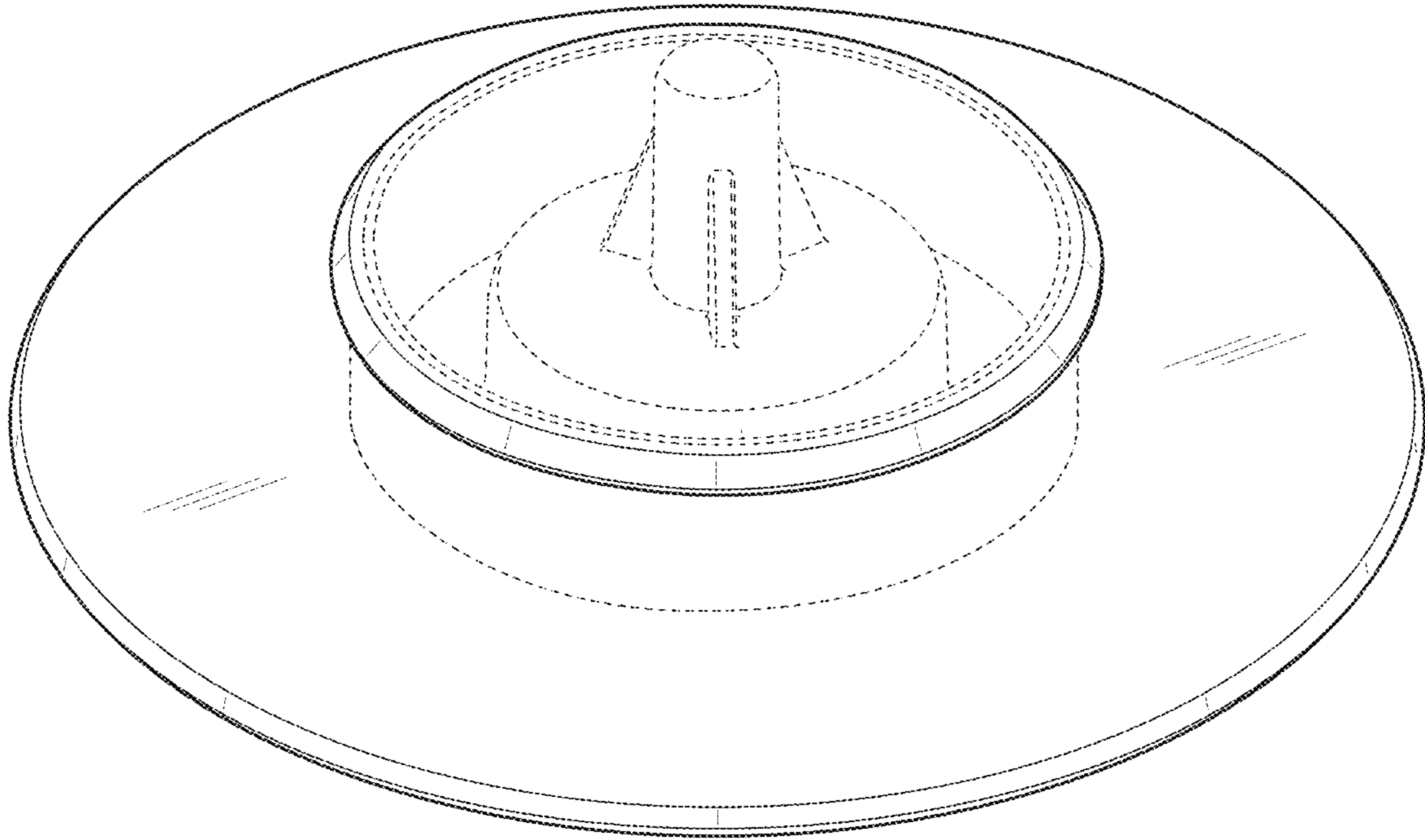


FIG. 1

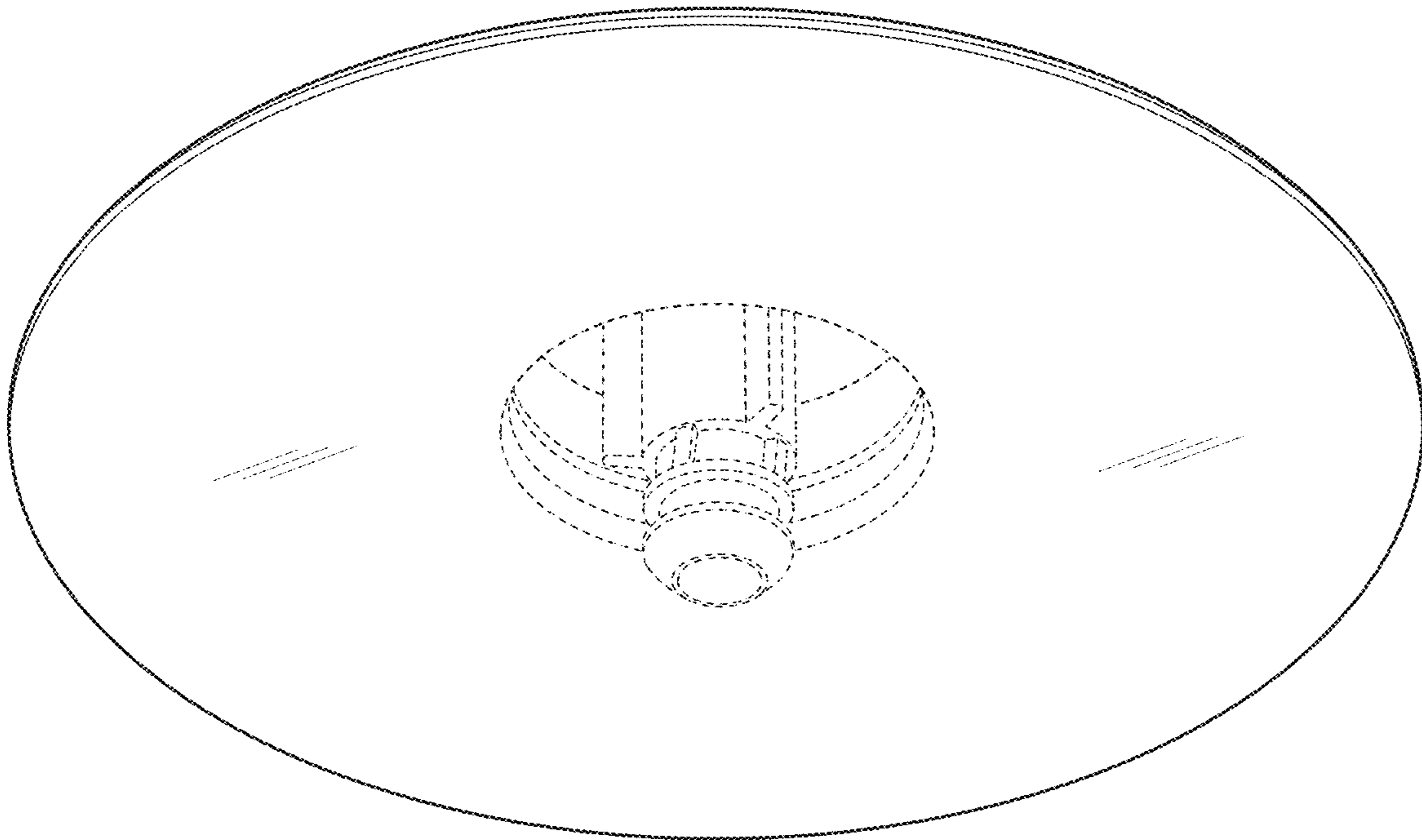


FIG. 2

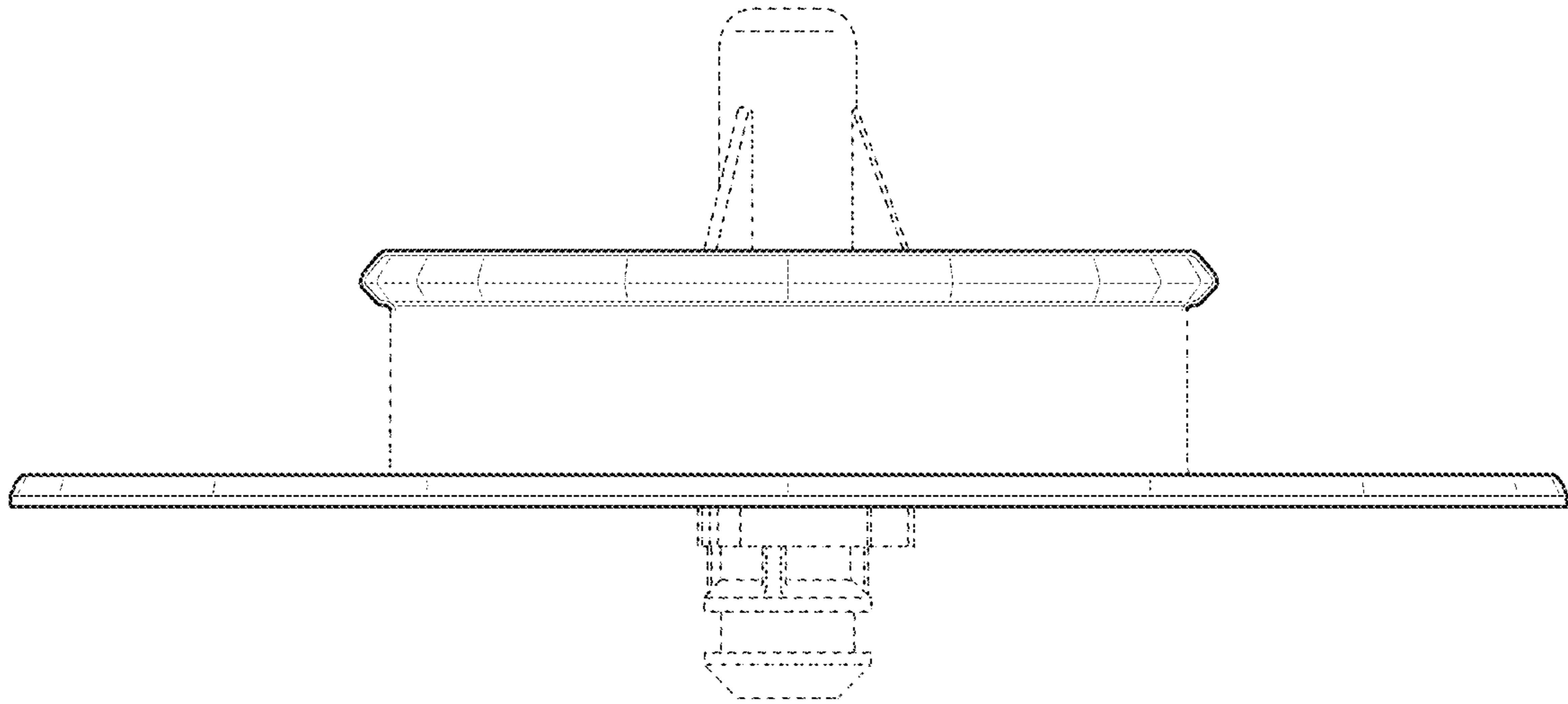


FIG. 3

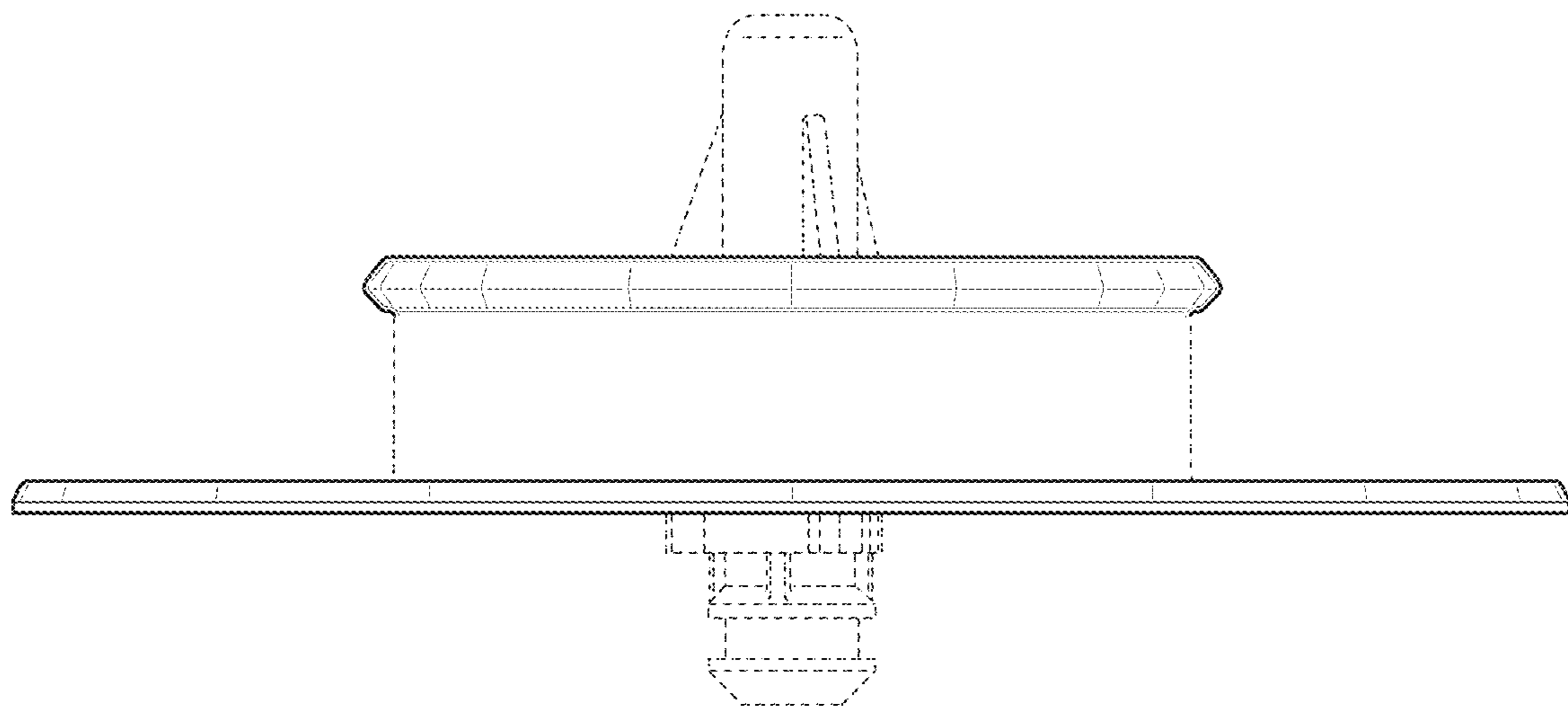


FIG. 4

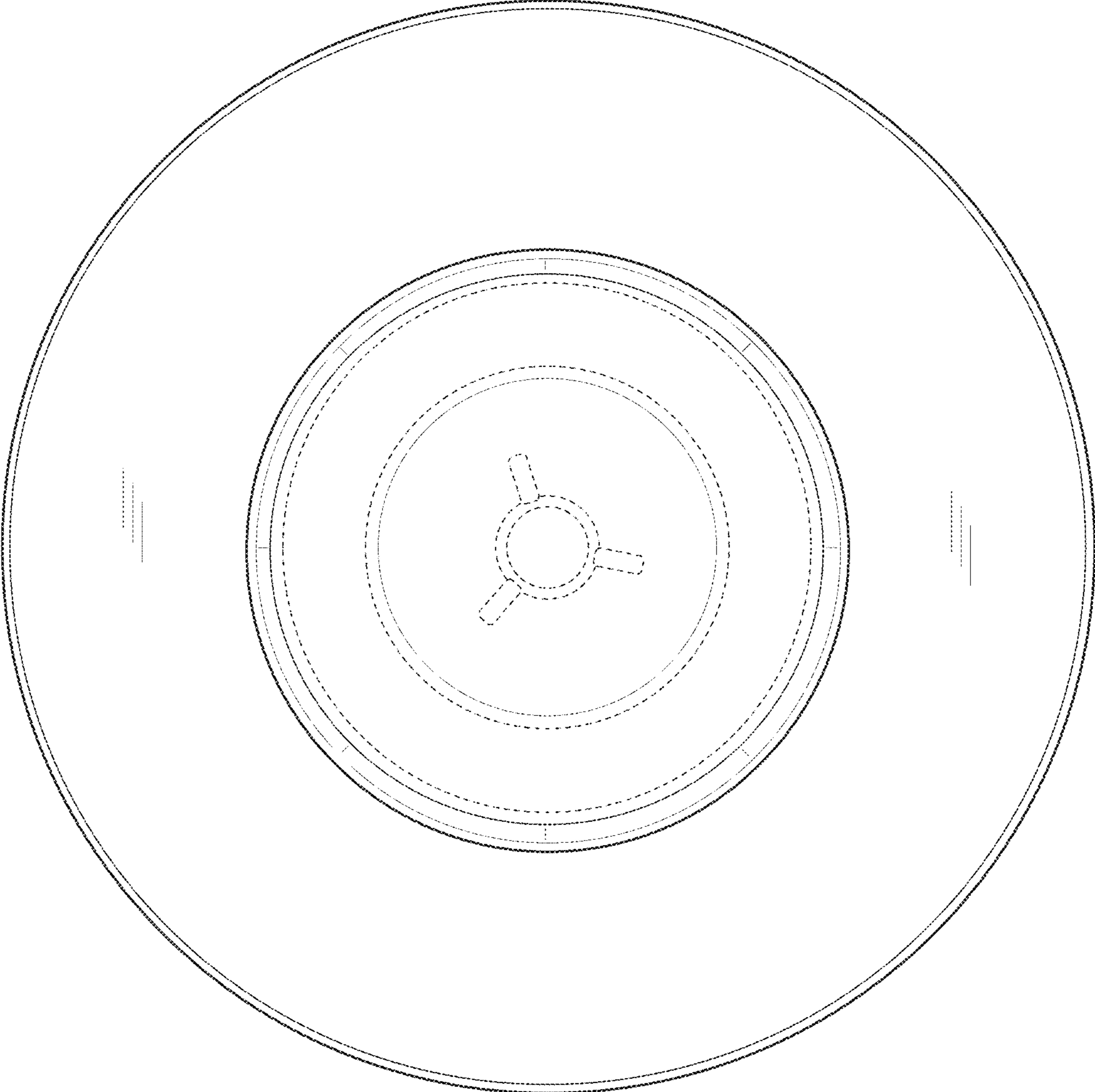


FIG. 5

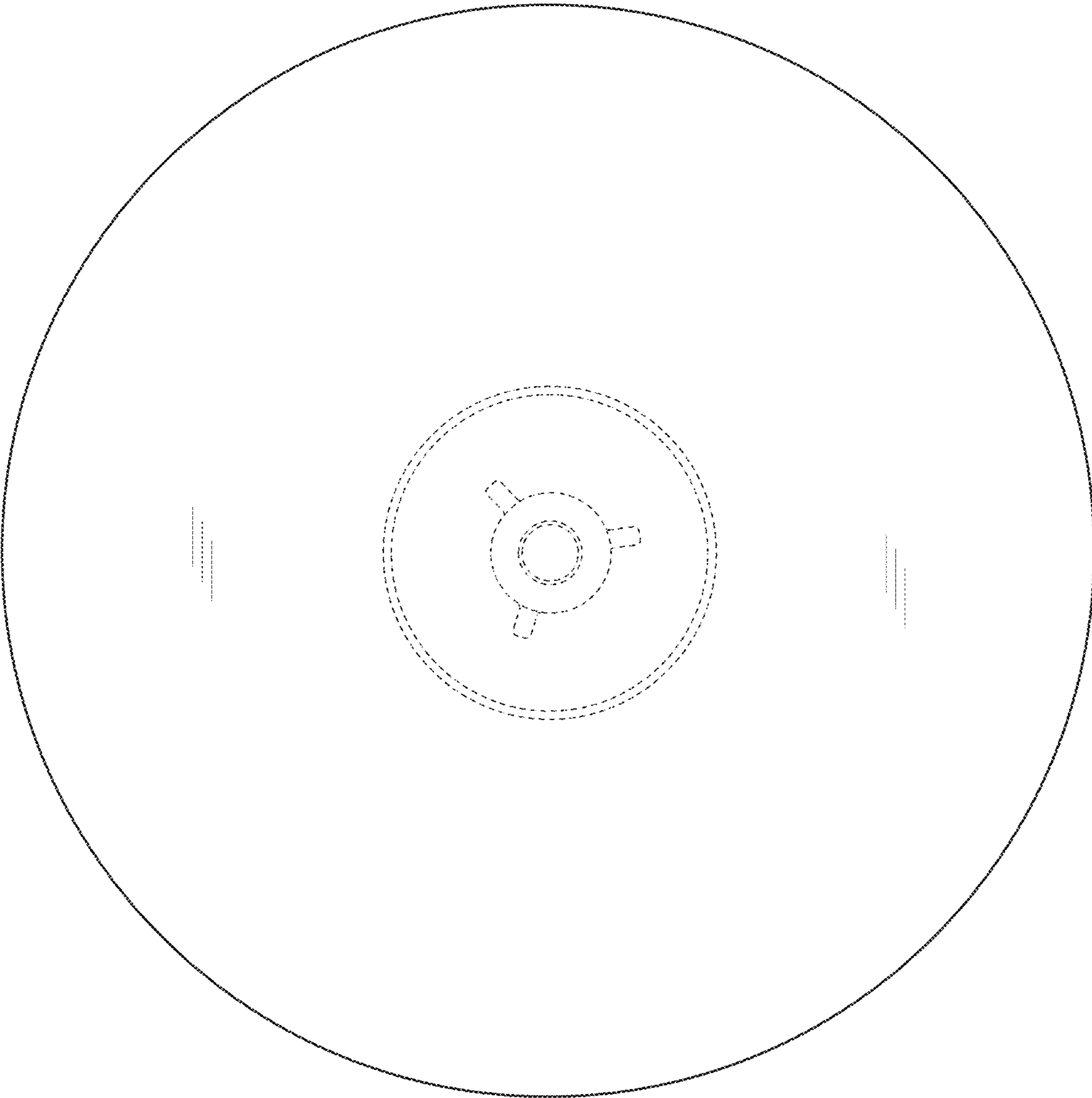


FIG. 6

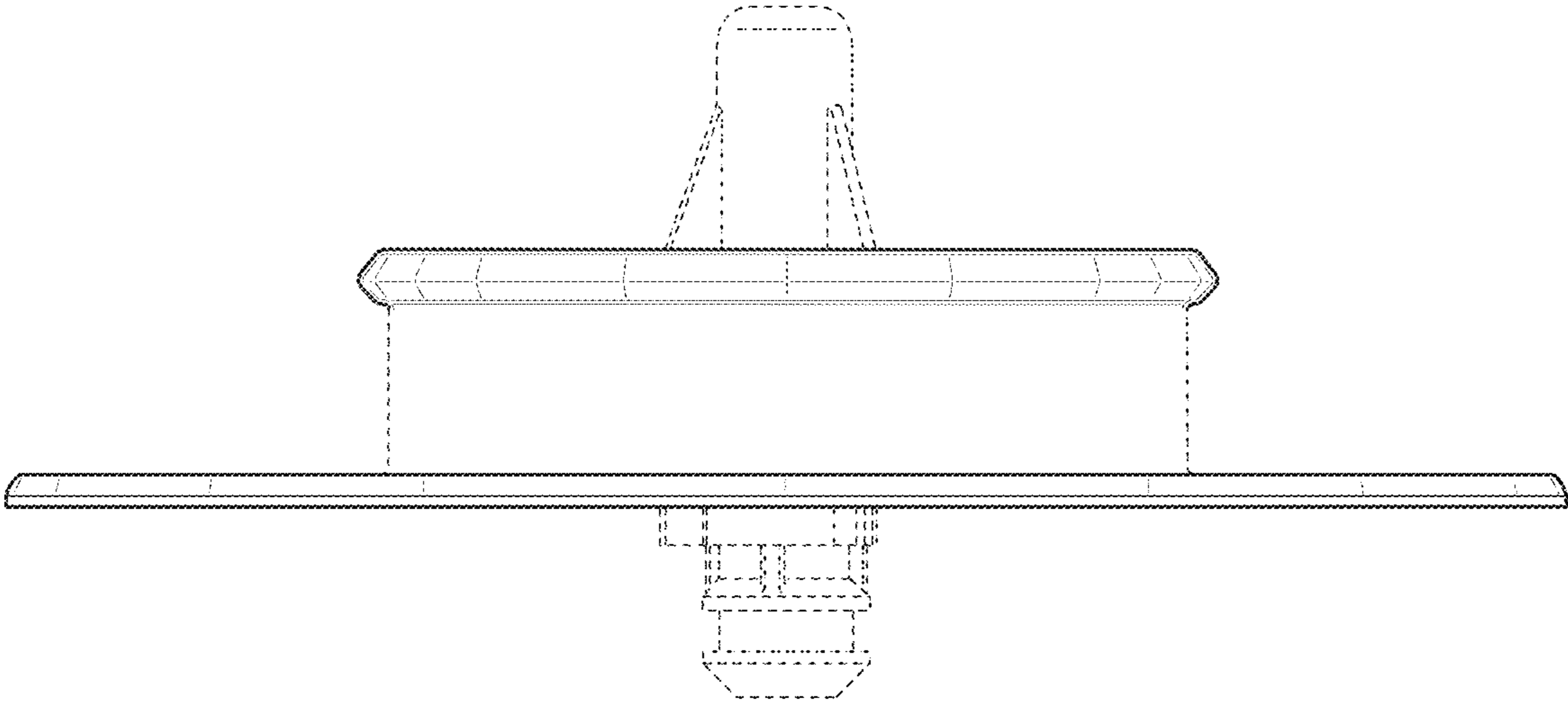


FIG. 7

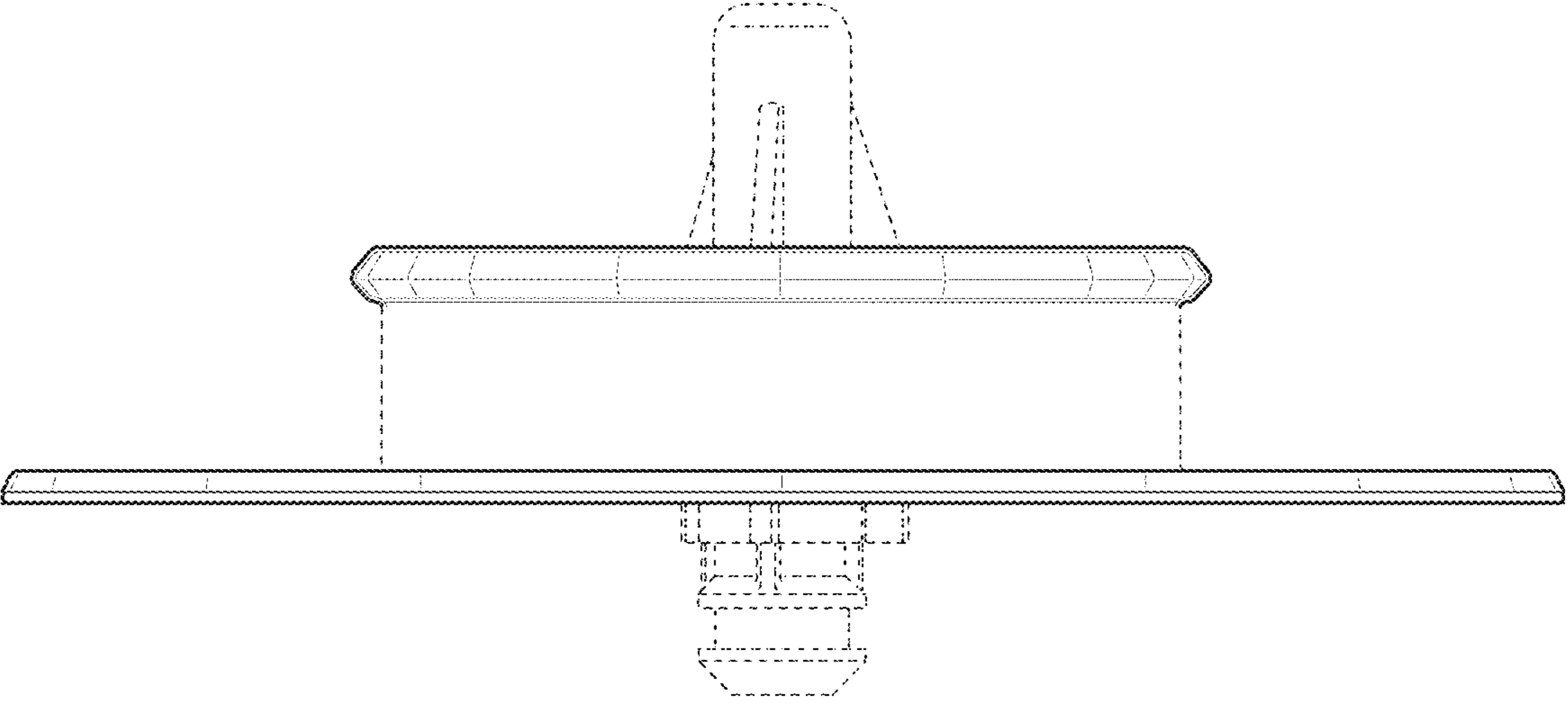


FIG. 8