



US00D967327S

(12) **United States Design Patent**
Aguiar et al.

(10) **Patent No.:** **US D967,327 S**
(45) **Date of Patent:** **** Oct. 18, 2022**

- (54) **CYLINDER STAND**
- (71) Applicant: **AMTROL Licensing Inc.**, West Warwick, RI (US)
- (72) Inventors: **Carlos Aguiar**, Oporto (PT); **Carla Aguiar**, Vila Nova de Gaia (PT)
- (73) Assignee: **AMTROL LICENSING INC.**, West Warwick, RI (US)
- (**) Term: **15 Years**
- (21) Appl. No.: **29/681,658**
- (22) Filed: **Feb. 27, 2019**
- (51) **LOC (13) Cl.** **23-01**
- (52) **U.S. Cl.**
USPC **D23/206**
- (58) **Field of Classification Search**
USPC D23/205, 206; D3/316, 323
CPC ... F16M 11/04; F17C 2205/0196; F17C 1/16;
F17C 13/084; B65D 25/24
See application file for complete search history.

- D912,199 S * 3/2021 Aguiar F17C 13/084
D23/205
- D921,162 S * 6/2021 Colvin F17C 13/084
D23/206
- 2010/0072212 A1* 3/2010 Howard B65D 25/24
220/729
- 2010/0147859 A1* 6/2010 Chohfi F17C 1/14
16/110.1
- 2011/0140412 A1* 6/2011 Manser F17C 13/084
285/192
- 2013/0206762 A1* 8/2013 Smith B65D 21/0213
220/729
- 2014/0231439 A1* 8/2014 Manser F17C 13/084
248/154
- 2015/0129598 A1* 5/2015 Rogers B65D 25/24
220/574
- 2020/0271276 A1* 8/2020 Aguiar F17C 13/00

* cited by examiner

Primary Examiner — Calvin E Vansant
(74) *Attorney, Agent, or Firm* — Tucker Ellis, LLP

(57) **CLAIM**

The ornamental design for a cylinder stand, as shown and described.

(56) **References Cited**

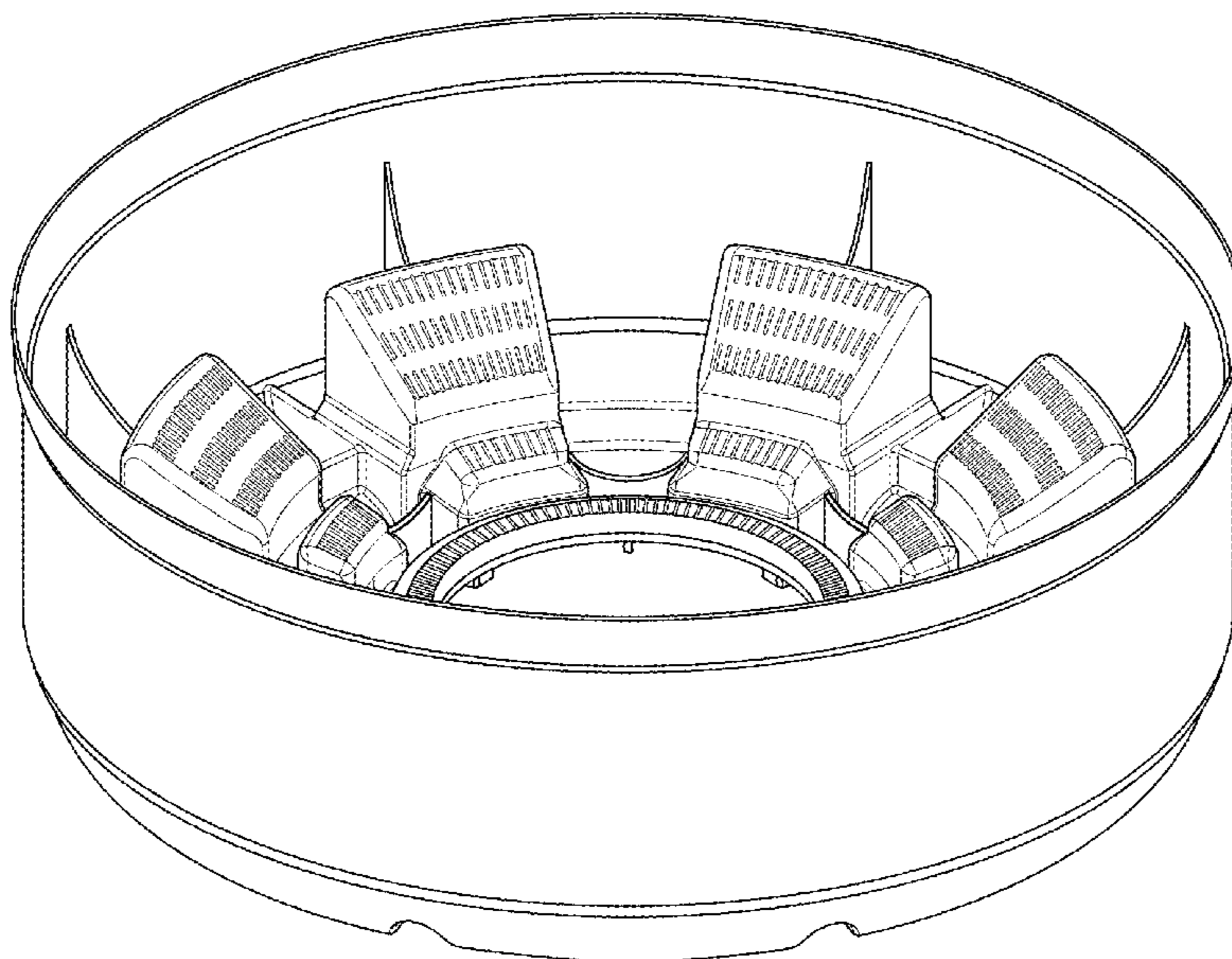
U.S. PATENT DOCUMENTS

- 4,907,712 A * 3/1990 Stempin F17C 13/084
220/630
- D330,095 S * 10/1992 Dreyfus F17C 1/14
D23/206
- D658,267 S * 4/2012 Brockington D23/206
- 8,215,517 B2* 7/2012 Chohfi F17C 13/123
220/23.91
- 9,528,659 B2* 12/2016 Manser F16M 11/04
- D781,999 S * 3/2017 Salvati B65D 25/24
D23/206
- D794,746 S * 8/2017 Kessler B65D 21/0213
D23/206
- D797,235 S * 9/2017 Miskovich B65D 25/24
D25/36

DESCRIPTION

FIG. 1 is a front view of a cylinder stand showing a new design, wherein the rear view, left side view and right side view are a mirror-image thereof;
 FIG. 2 is a bottom view of the cylinder stand illustrated in FIG. 1;
 FIG. 3 is a top view of the cylinder stand illustrated in FIG. 1;
 FIG. 4 is a bottom perspective view of the cylinder stand illustrated in FIG. 1; and,
 FIG. 5 is a top perspective view of the cylinder stand illustrated in FIG. 1.

1 Claim, 5 Drawing Sheets



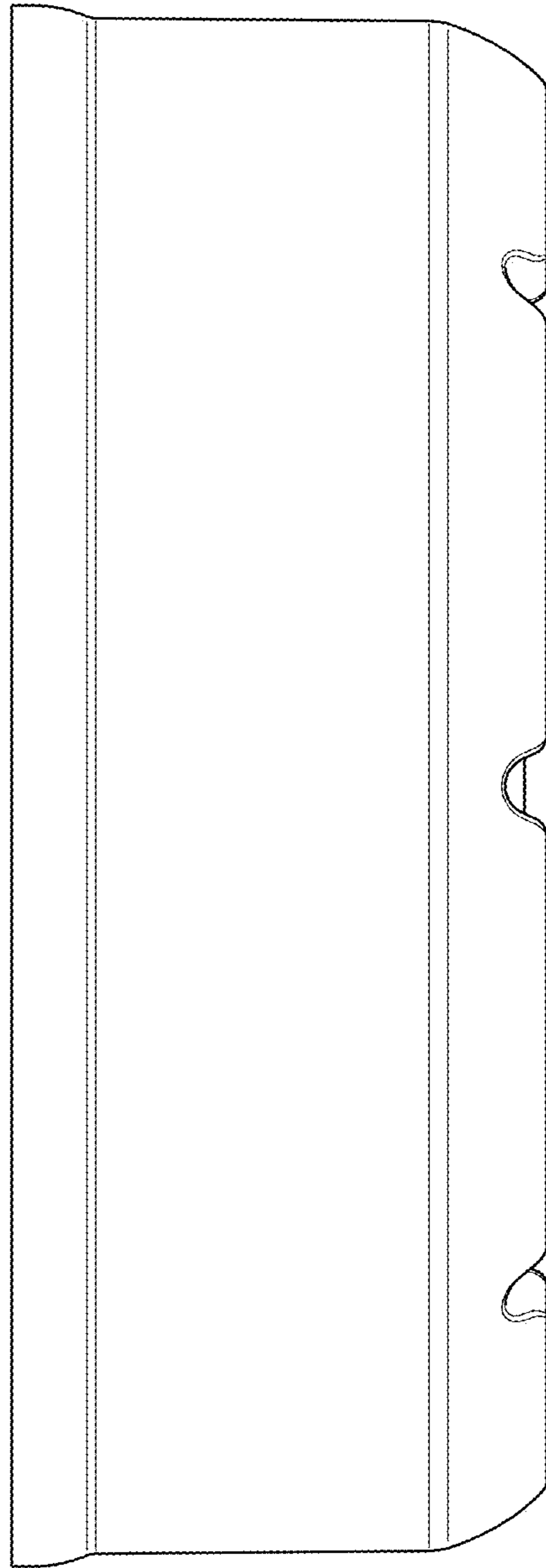


FIG. 1

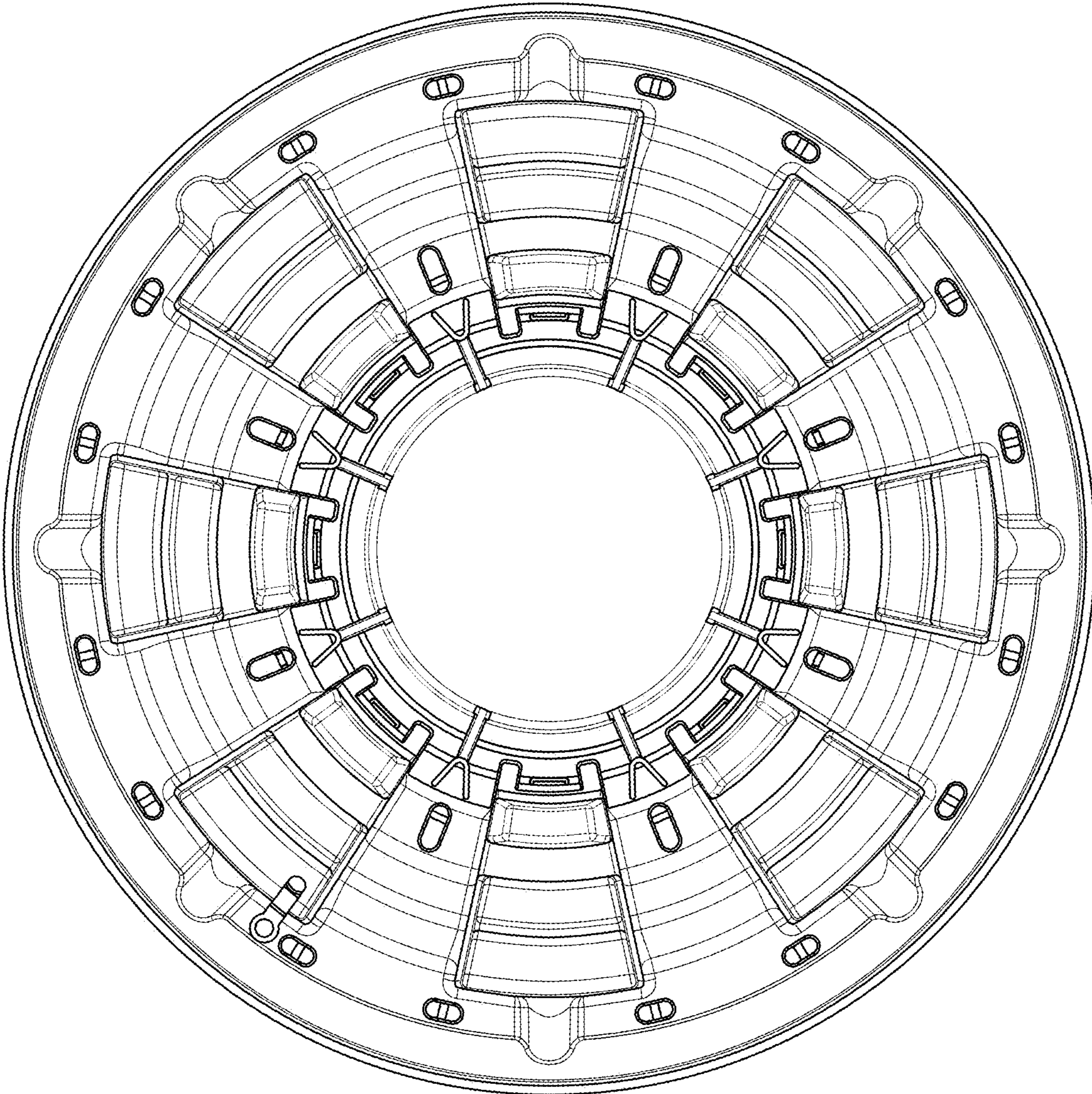


FIG. 2

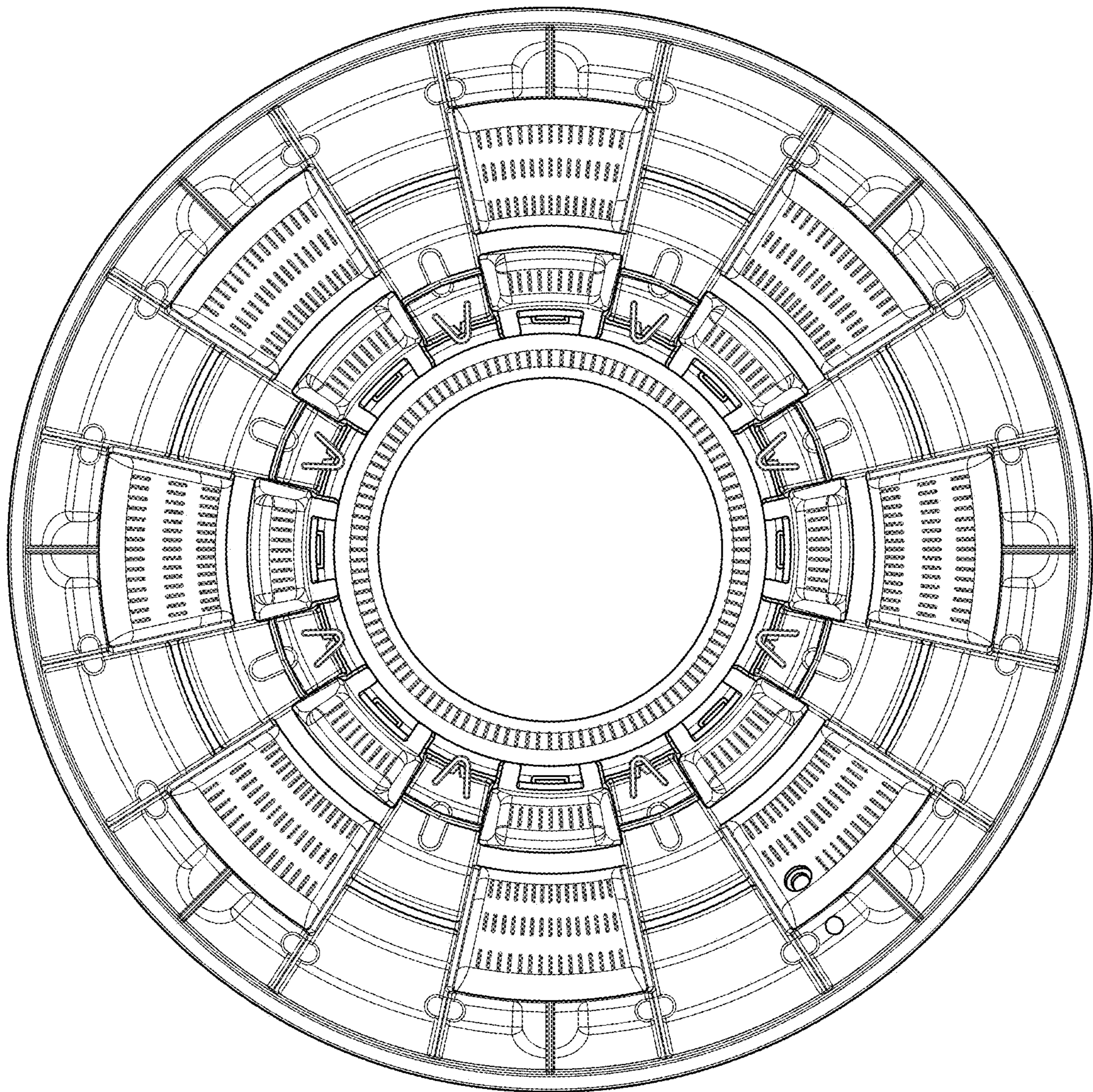


FIG. 3

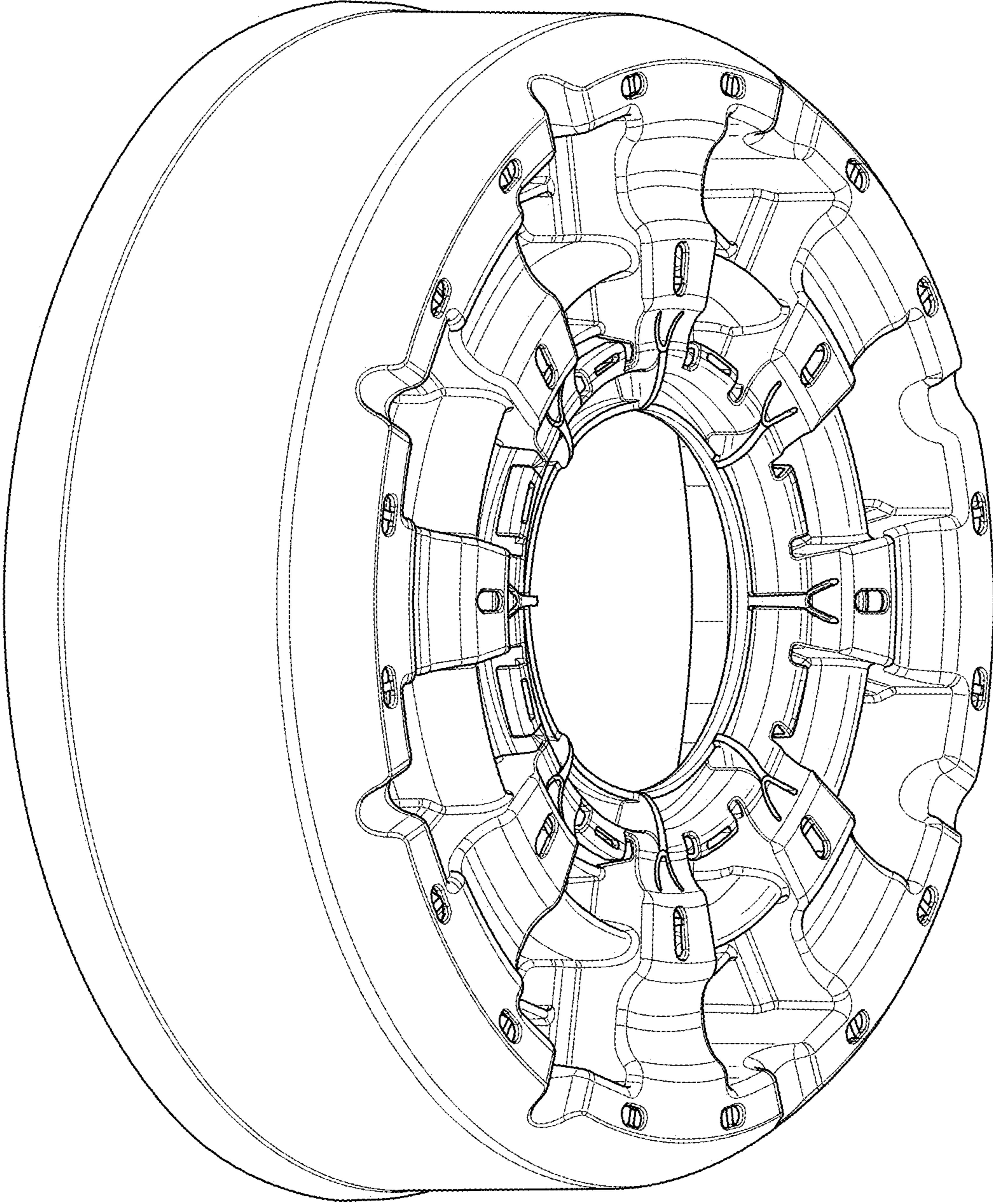


FIG. 4

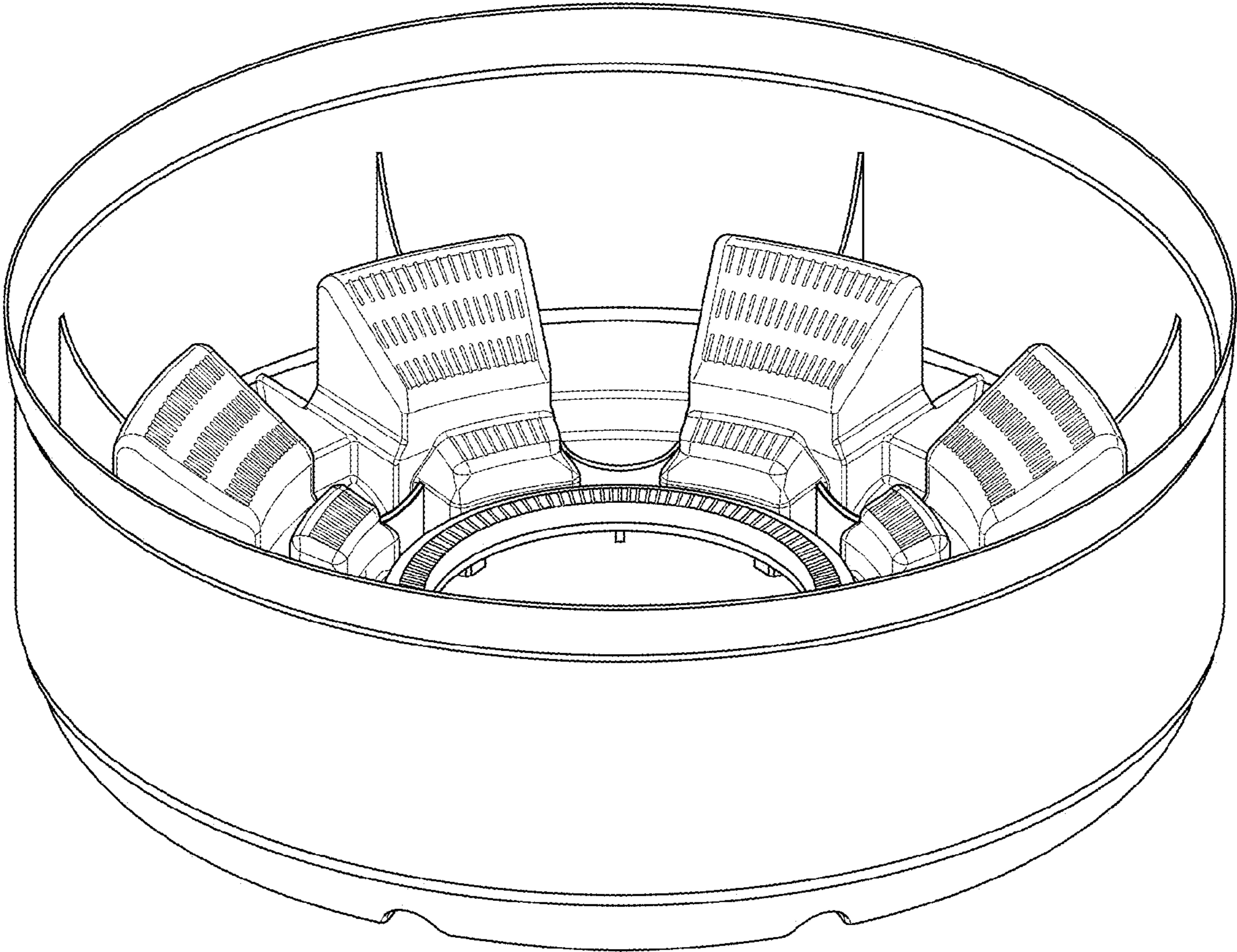


FIG. 5