



US00D967326S

(12) **United States Design Patent** (10) **Patent No.:** **US D967,326 S**
Luo (45) **Date of Patent:** **** Oct. 18, 2022**

(54) **ROACH TRAP**
(71) Applicant: **Chengxin Luo**, Shenzhen (CN)
(72) Inventor: **Chengxin Luo**, Shenzhen (CN)
(**) Term: **15 Years**
(21) Appl. No.: **29/791,421**
(22) Filed: **Jan. 11, 2022**
(51) **LOC (13) Cl.** **22-06**
(52) **U.S. Cl.**
USPC **D22/122; D22/119**
(58) **Field of Classification Search**
USPC D22/122, 119; 43/58, 60, 62
CPC A01M 1/14; A01M 23/00; A01M 23/18;
A01M 31/002; A01K 63/006
See application file for complete search history.

D306,197 S * 2/1990 Demarest D22/122
D313,641 S * 1/1991 Caprioli D22/119
D324,406 S * 3/1992 Brefka D22/122
D344,567 S * 2/1994 Teeples D22/122
D478,959 S * 8/2003 Garretson D22/122
D777,874 S * 1/2017 Bubar D22/119
D777,875 S * 1/2017 Bubar D22/119
D779,625 S * 2/2017 Bubar D22/119
D838,806 S 1/2019 Gobber et al.
D855,743 S * 8/2019 Falco, Jr. D22/122
D856,467 S 8/2019 Bishop
D888,187 S 6/2020 Zhang et al.
11,219,204 B2 * 1/2022 Kletzli A01M 31/002
11,259,517 B2 * 3/2022 Vickery A01M 31/002

* cited by examiner

Primary Examiner — Catherine R Oliver-Garcia
(74) *Attorney, Agent, or Firm* — Zhihua Han

(57) **CLAIM**

The ornamental design for a roach trap, as shown and described.

(56) **References Cited**

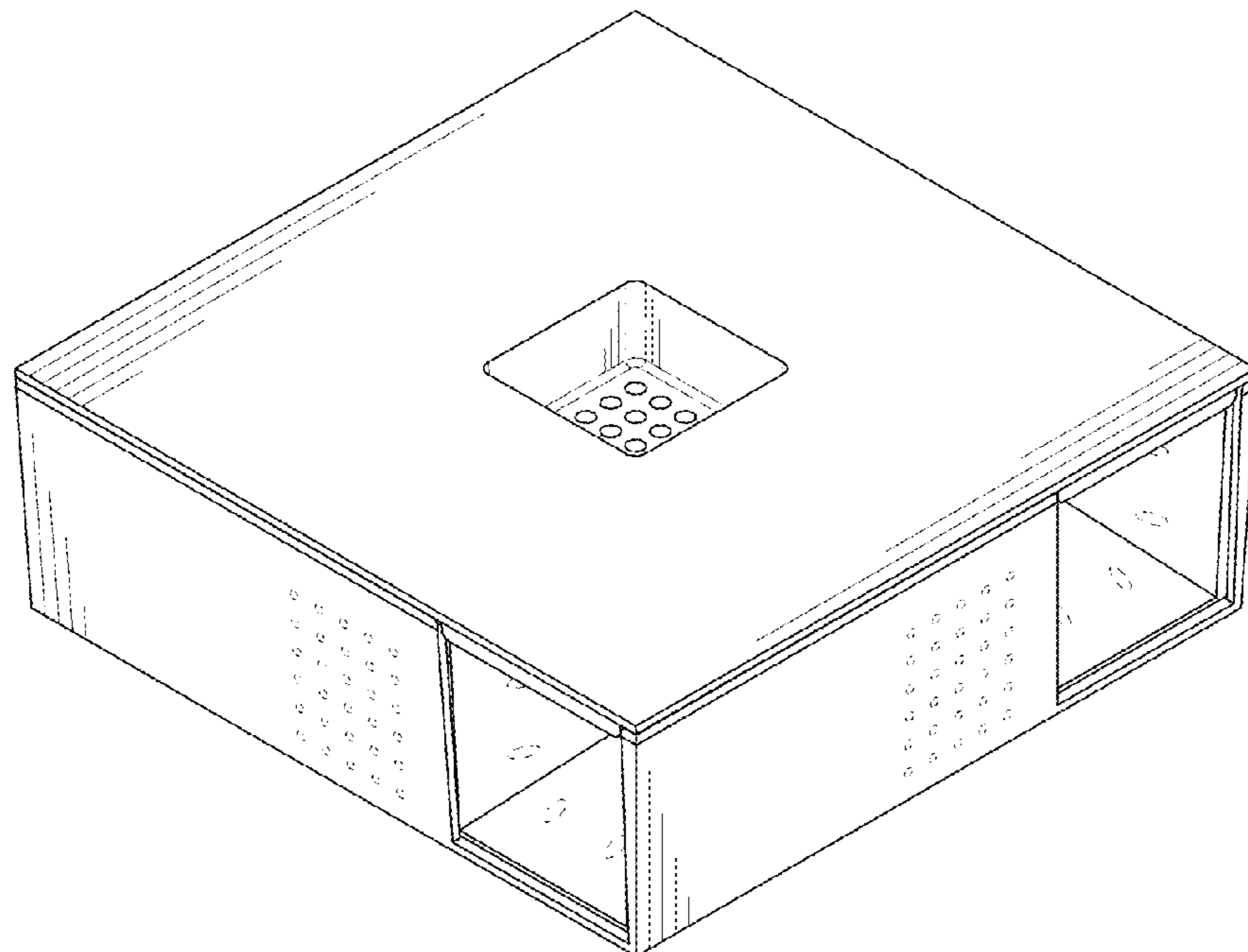
U.S. PATENT DOCUMENTS

1,715,173 A * 5/1929 Opitz A01M 1/02
43/131
3,802,116 A * 4/1974 Meguro A01M 1/02
43/121
3,851,417 A * 12/1974 Wunsche A01M 1/02
43/121
3,908,302 A * 9/1975 Carr A01M 1/02
43/121
3,940,874 A * 3/1976 Katsuda A01M 1/14
43/114
4,208,828 A * 6/1980 Hall A01M 1/02
43/121
4,266,362 A * 5/1981 Campbell A01M 23/08
43/66
4,413,439 A * 11/1983 Lindley A01M 23/20
43/61

DESCRIPTION

FIG. 1 is a first perspective view of a roach trap showing my new design;
FIG. 2 is a second perspective view thereof;
FIG. 3 is a front view thereof;
FIG. 4 is a back view thereof;
FIG. 5 is a left side view thereof;
FIG. 6 is a right side view thereof;
FIG. 7 is a top view thereof;
FIG. 8 is a bottom view thereof; and,
FIG. 9 is an exploded view of the roach trap thereof.
The broken lines shown in the drawings depict portions of the roach trap in which the design is embodied that form no, part of the claimed design.

1 Claim, 9 Drawing Sheets



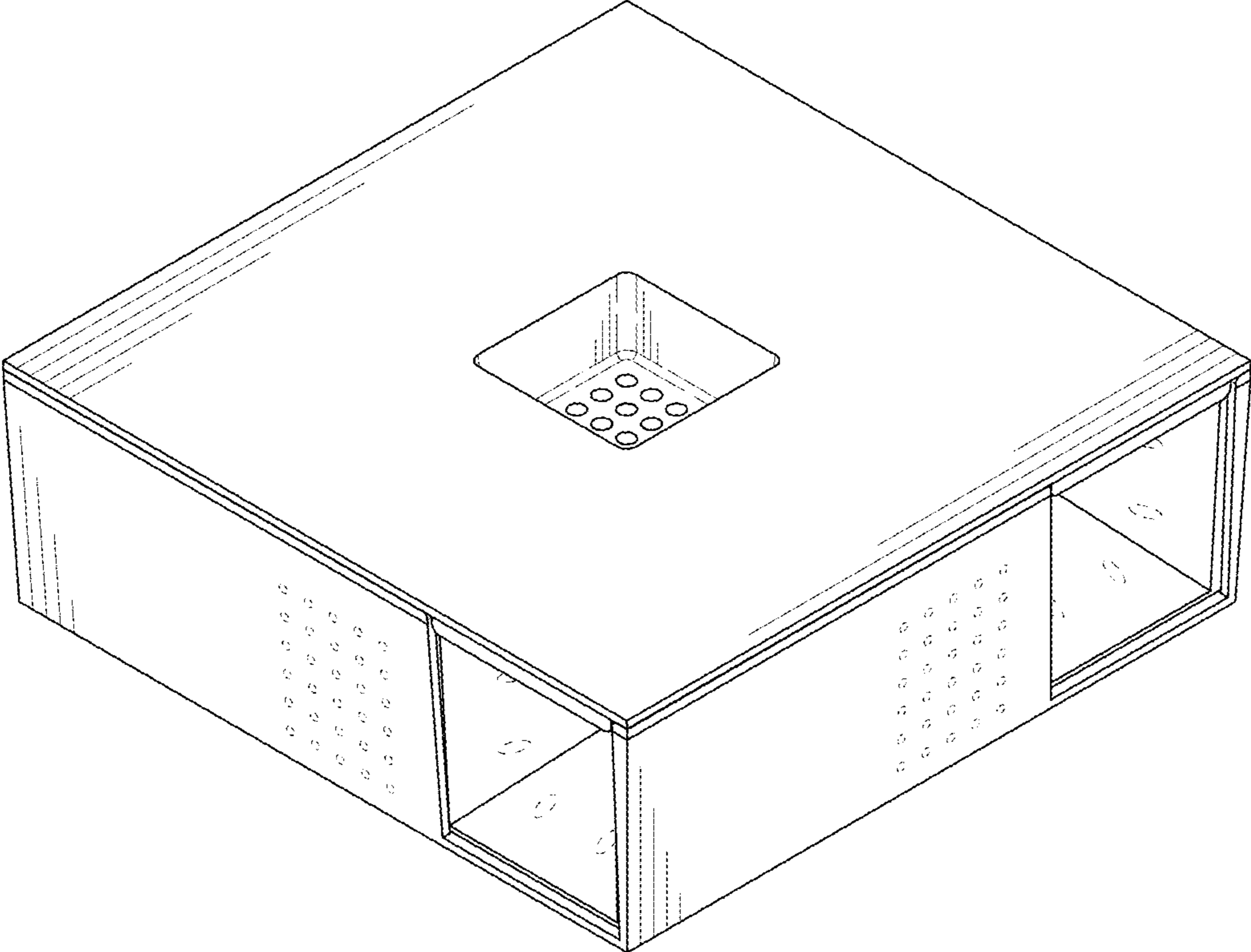


FIG. 1

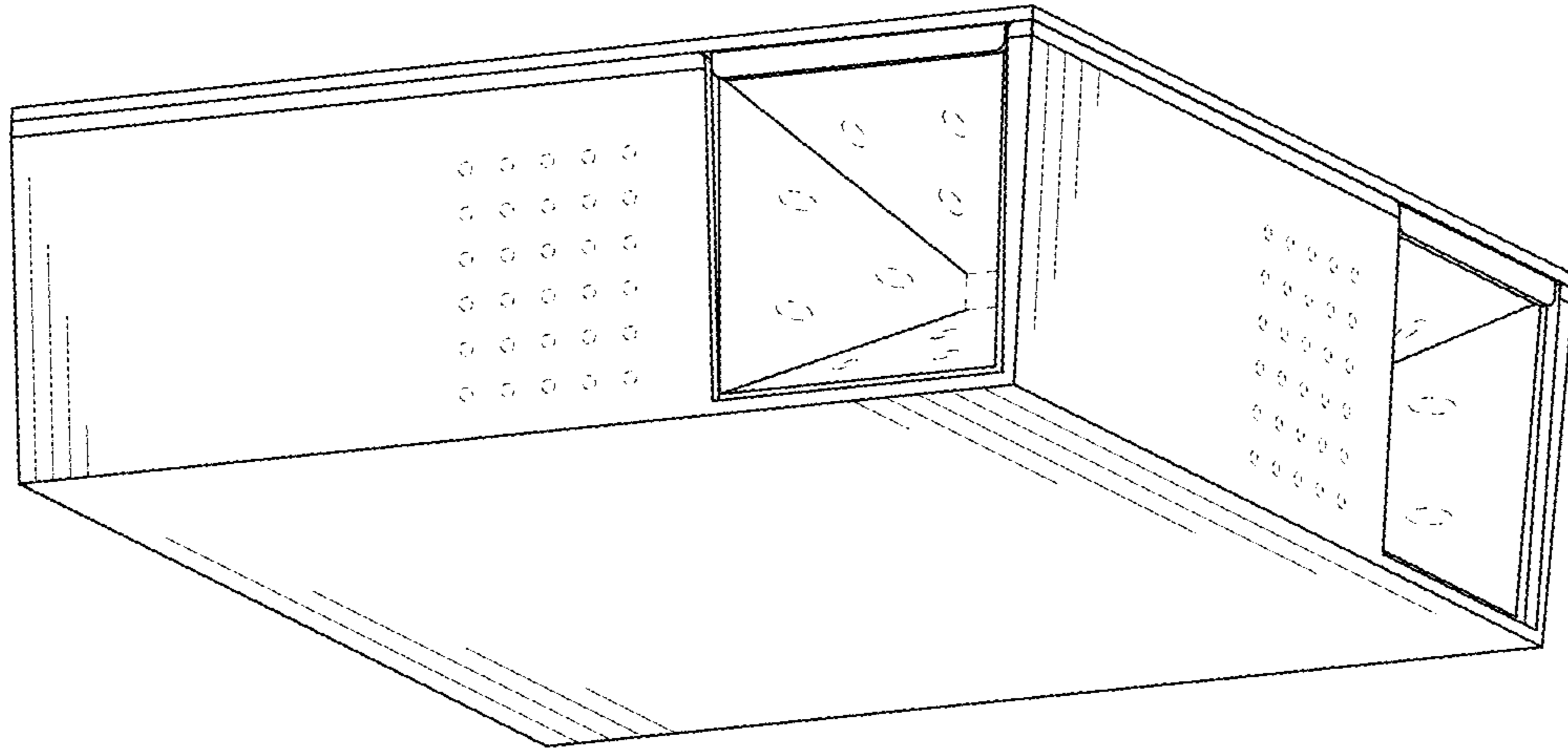


FIG. 2

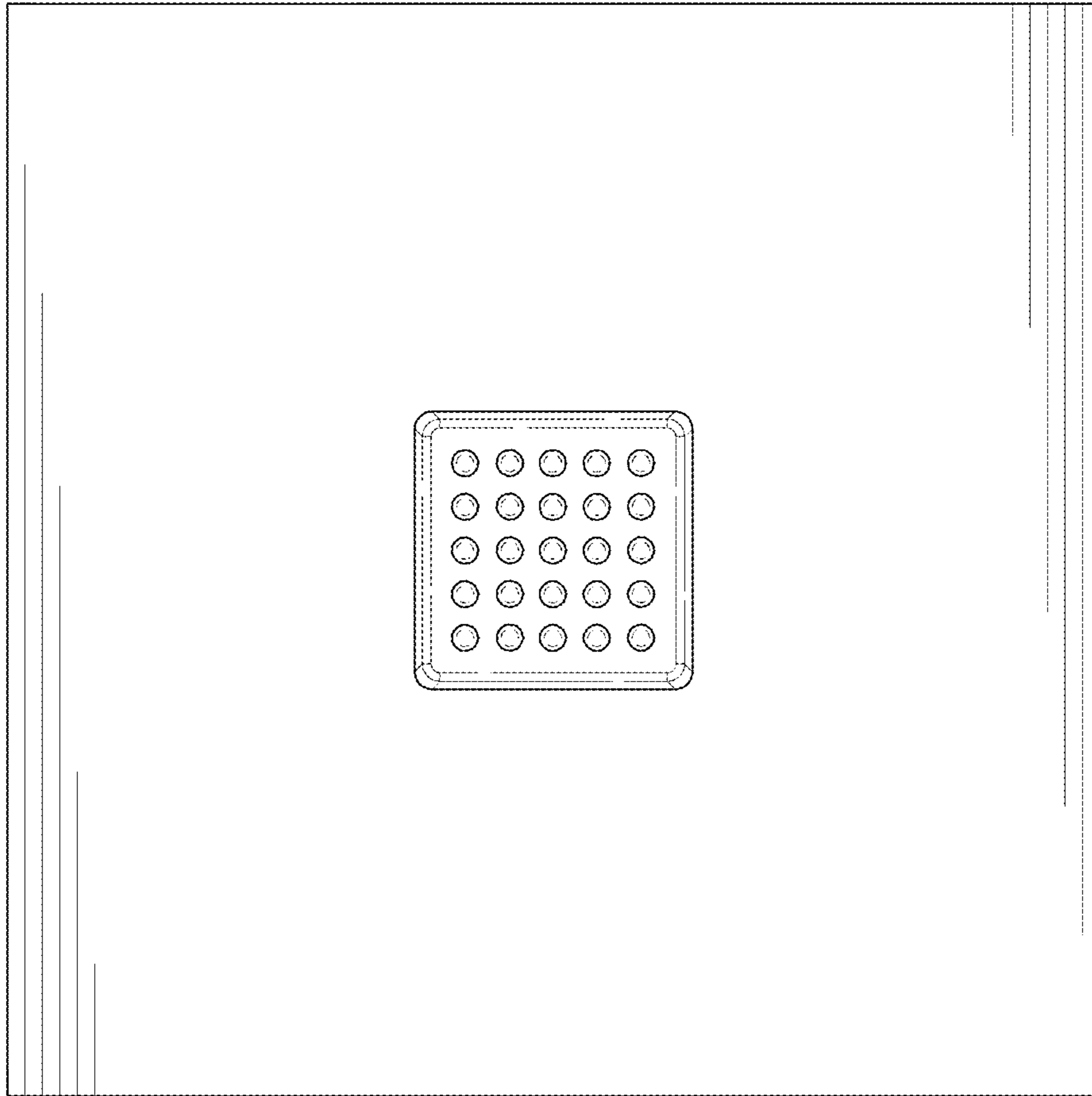


FIG. 3

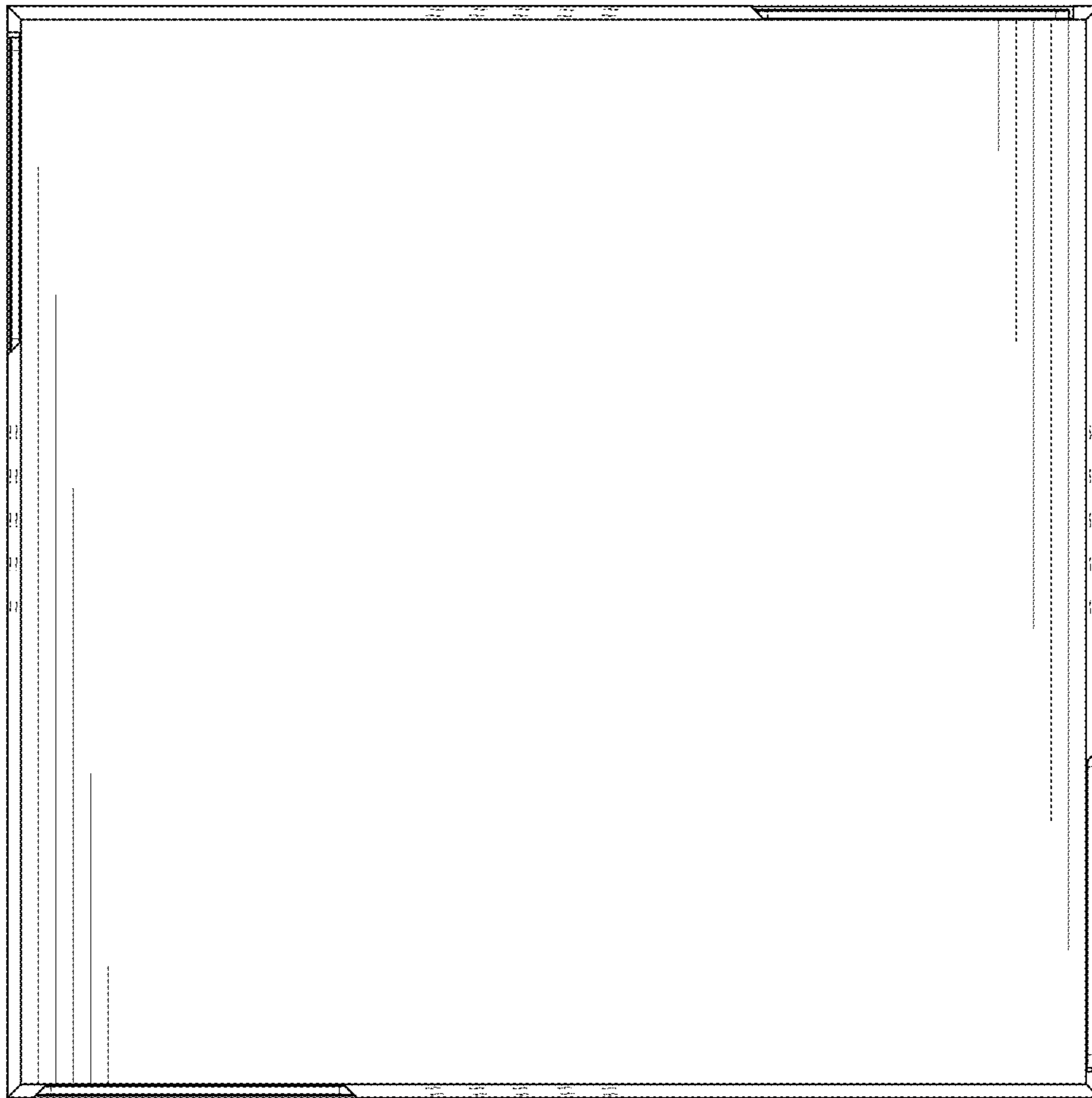


FIG. 4

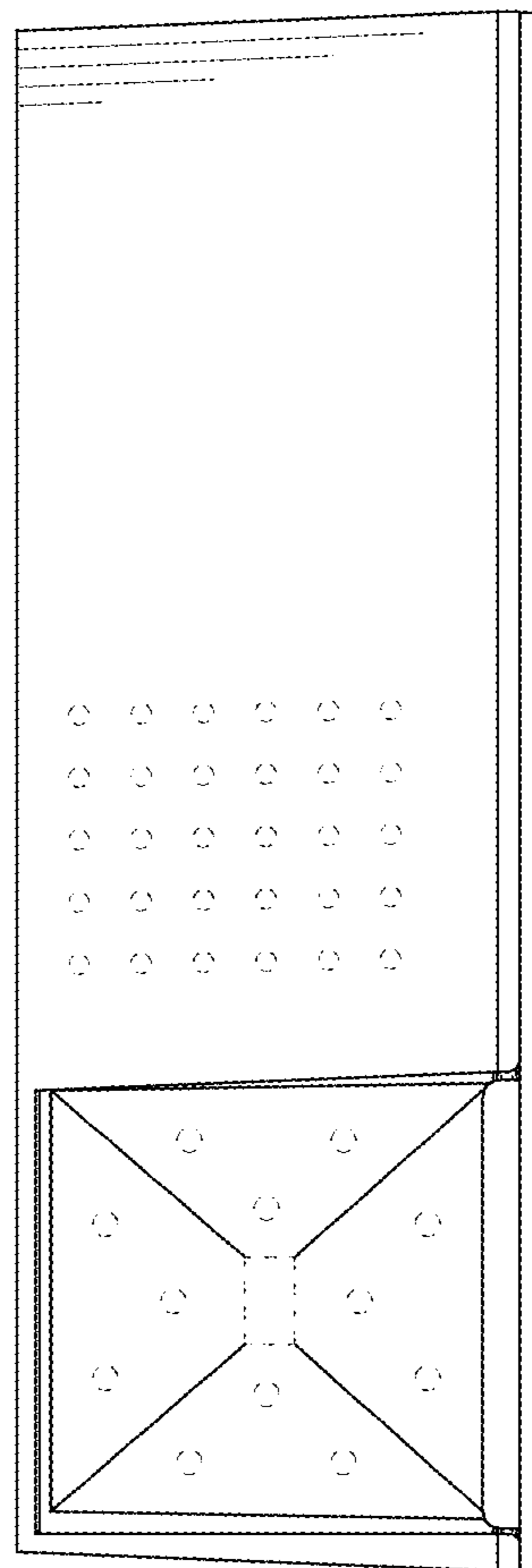


FIG. 5

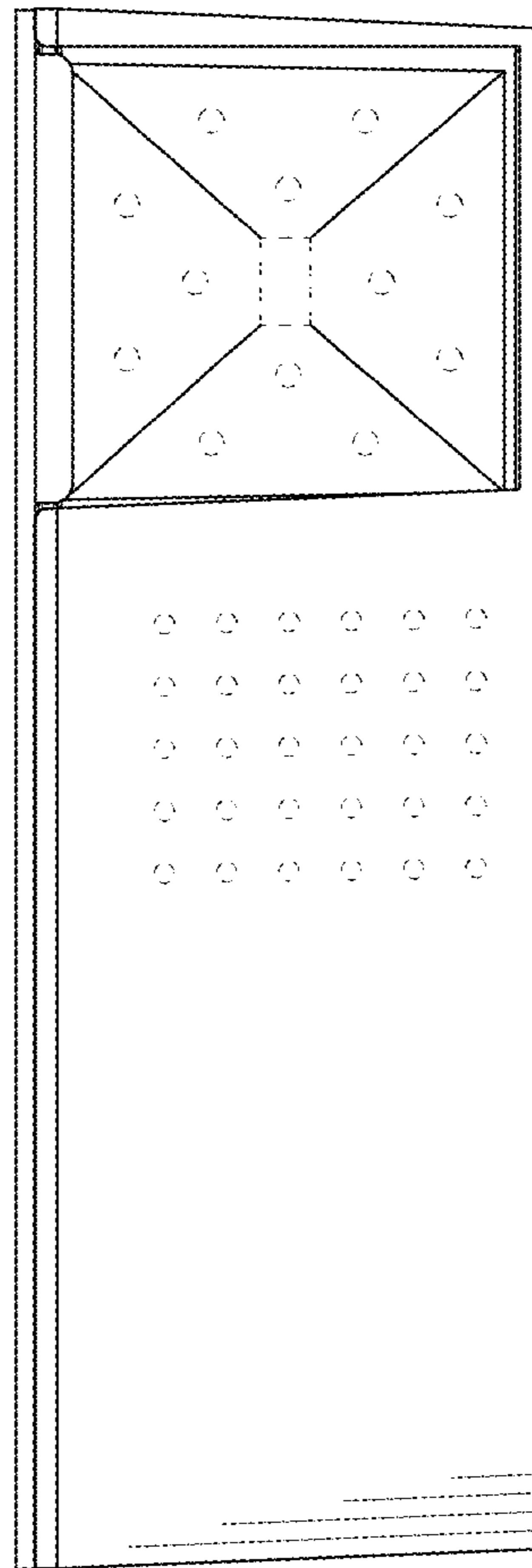


FIG. 6

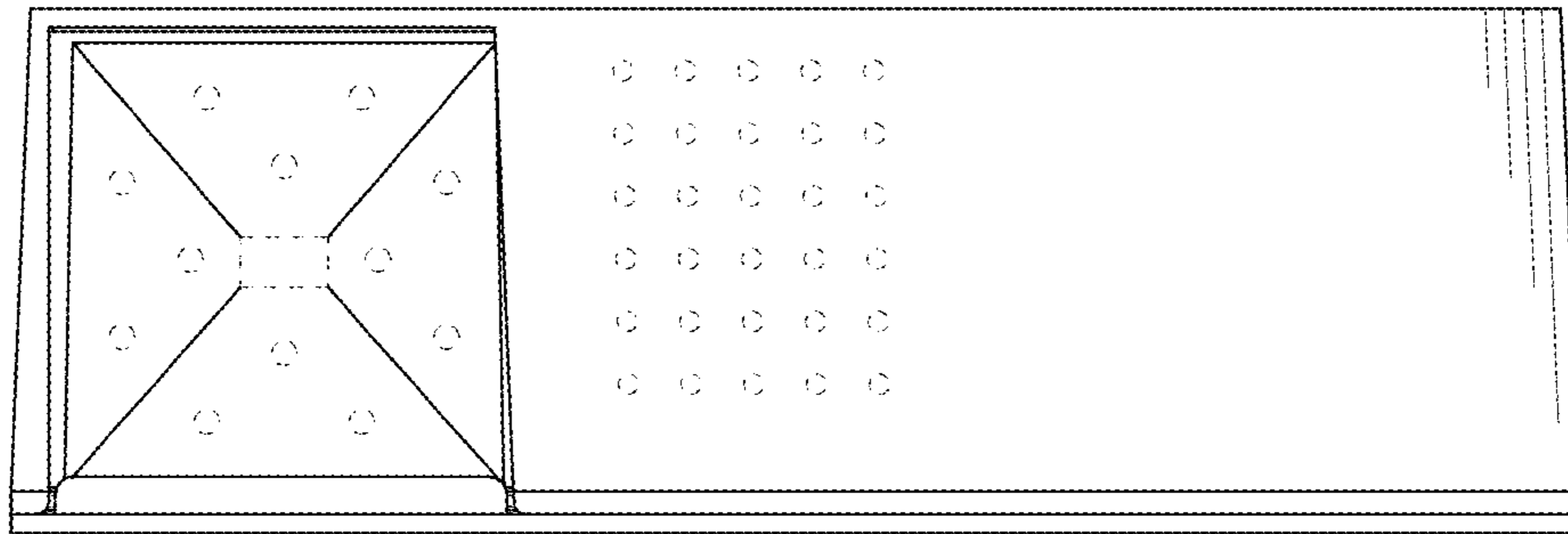


FIG. 7

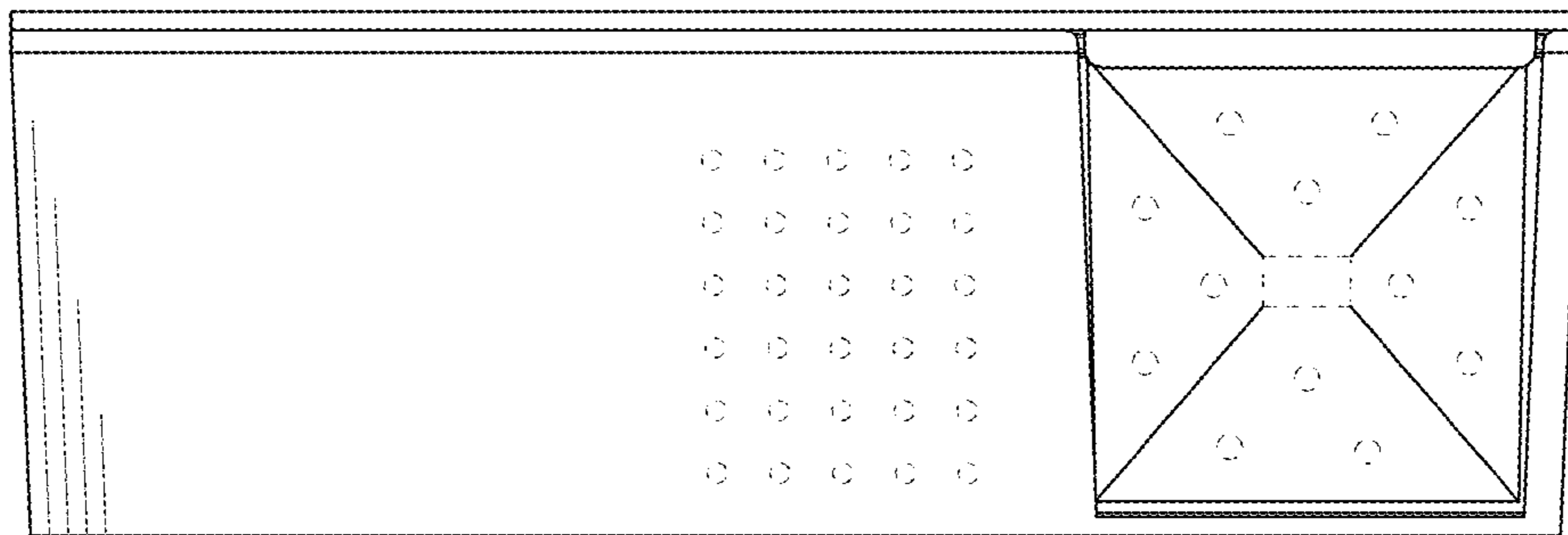


FIG. 8

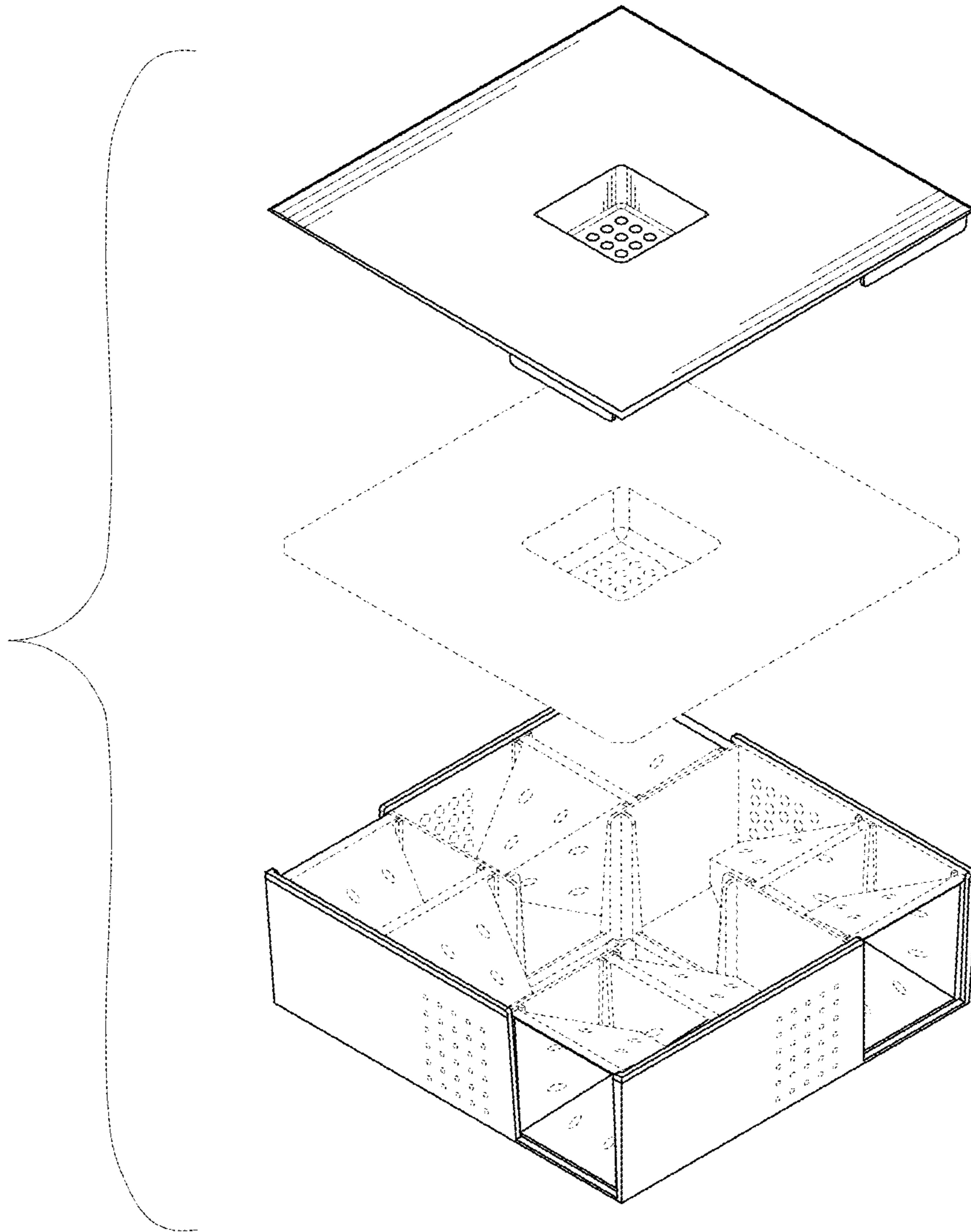


FIG. 9