



US00D967324S

(12) **United States Design Patent**
Gong

(10) **Patent No.:** **US D967,324 S**

(45) **Date of Patent:** **** Oct. 18, 2022**

(54) **ROUND-LIMITING FIREARM LOWER RECEIVER AND MAGAZINE COMBINATION**

(71) Applicant: **Jimmy Homing Gong**, Hicksville, NY (US)

(72) Inventor: **Jimmy Homing Gong**, Hicksville, NY (US)

(**) Term: **15 Years**

(21) Appl. No.: **29/766,534**

(22) Filed: **Jan. 15, 2021**

(51) **LOC (13) Cl.** **22-01**

(52) **U.S. Cl.**
USPC **D22/108**

(58) **Field of Classification Search**
USPC D22/100, 107, 108, 109, 110, 113, 114, D22/199, 103; D21/567, 570, 571
CPC . F41G 11/003; F41G 1/14; F41G 1/38; F41G 1/16; F41G 1/02; F41G 1/06; F41A 23/005; F41C 23/16
See application file for complete search history.

(56) **References Cited**

U.S. PATENT DOCUMENTS

5,806,224	A	9/1998	Hager	
7,219,462	B2	5/2007	Finn	
D569,473	S *	5/2008	Hahin	D22/199
7,963,061	B2	6/2011	Lesenfants	
8,434,254	B1	5/2013	Watchorn	
D689,974	S *	9/2013	Sharps	D22/108
8,756,845	B2	6/2014	Harris	
D724,168	S *	3/2015	Alis	D22/108
8,991,086	B2	3/2015	Fitzpatrick	
9,182,186	B1	11/2015	Prince	
D746,936	S *	1/2016	Huang	D22/108
D755,335	S *	5/2016	Alis	D22/108
D764,005	S *	8/2016	Neil	D22/108
D765,211	S *	8/2016	Huang	D22/108
D773,585	S *	12/2016	Miller, III	D22/108

D782,596	S *	3/2017	Angstadt	D22/108
9,651,327	B2	5/2017	Hoon	
9,664,469	B2	5/2017	DiChario	
D796,619	S *	9/2017	Morris	D22/108
9,766,029	B2	9/2017	Dextraze	
D805,154	S *	12/2017	Steele	D22/108
9,976,825	B2	5/2018	Faifer	
D820,937	S *	6/2018	Hiler, Jr.	D22/108
D833,563	S *	11/2018	Snively	D22/108
D835,225	S *	12/2018	Podgurny	D22/108

(Continued)

OTHER PUBLICATIONS

“[Big 3 East] Stern Defense AR Glock Mag Adapter” [online]. Nicholas C. [Published on Mar. 25, 2018]. Retrieved from the Internet: <<https://www.thefirearmblog.com/blog/2018/03/25/stern-defense-ar-glock-mag-adapter/>>.*

Primary Examiner — Mojtaba Tehrani

(74) *Attorney, Agent, or Firm* — Quickpatents, LLC; Kevin Prince

(57) **CLAIM**

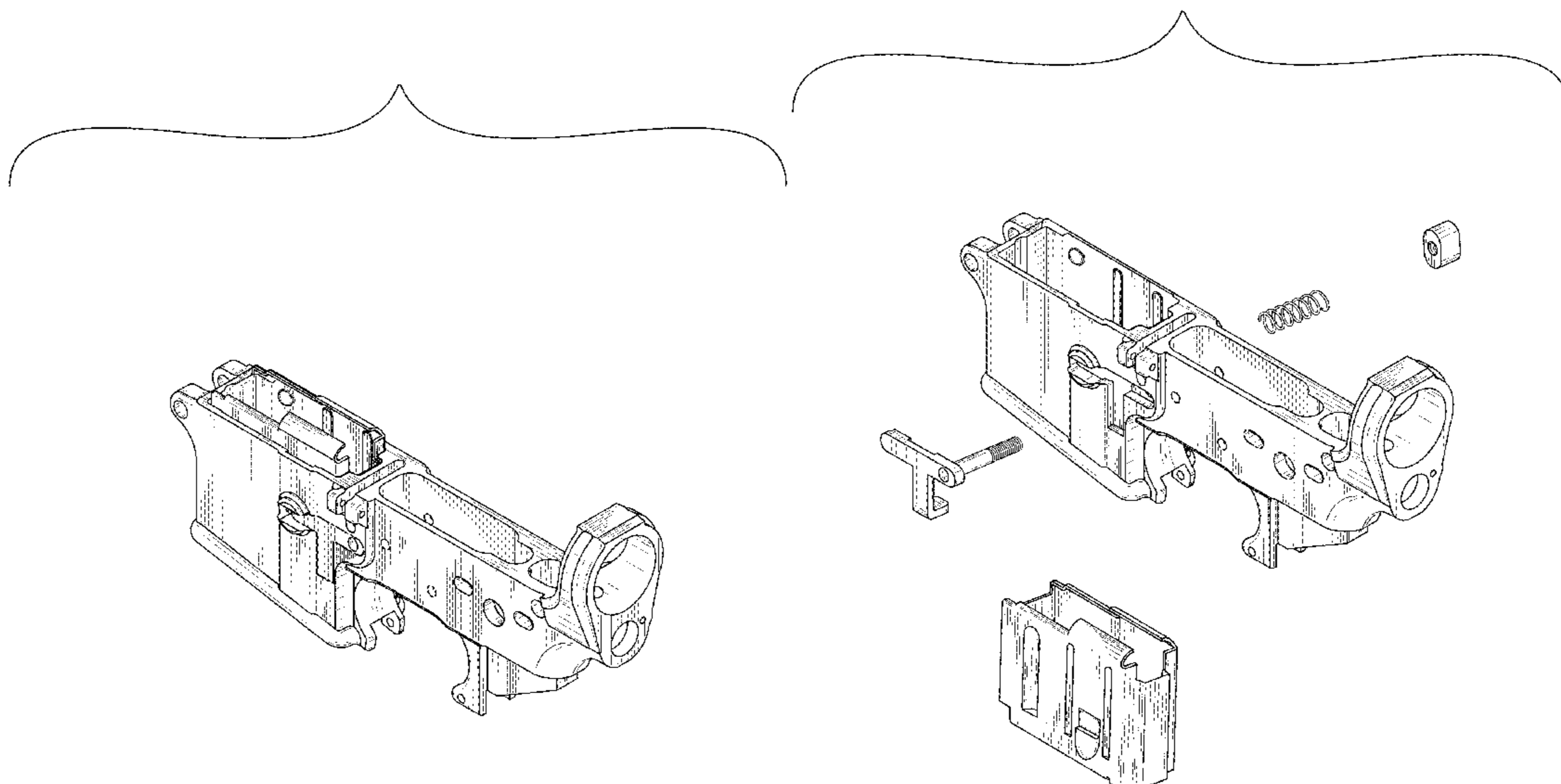
The ornamental design for a round-limiting firearm lower receiver and magazine combination, as shown and described.

DESCRIPTION

FIG. 1 is a front perspective view of a round-limiting firearm lower receiver and magazine combination, showing my new design;

FIG. 2 is an exploded left-side perspective view thereof; FIG. 3 is an exploded right-side perspective view thereof; FIG. 4 is an exploded rear elevational view thereof; FIG. 5 is an exploded front elevational view thereof; FIG. 6 is an exploded left-side elevational view thereof; FIG. 7 is an exploded right-side elevational view thereof; FIG. 8 is an exploded top plan view thereof; and, FIG. 9 is an exploded bottom plan view thereof.

1 Claim, 9 Drawing Sheets



(56)

References Cited

U.S. PATENT DOCUMENTS

10,260,827	B2 *	4/2019	Mock	F41A 11/02
D849,175	S *	5/2019	Willits	D22/108
10,330,406	B2	6/2019	Christensen	
10,352,639	B2	7/2019	Doty	
10,495,399	B1	12/2019	Dalessio	
D877,283	S *	3/2020	Hu	D22/108
D877,284	S *	3/2020	Hu	D22/108
D877,844	S *	3/2020	Hu	D22/108
D877,845	S *	3/2020	Hu	D22/108
D877,846	S *	3/2020	Hu	D22/108
10,598,454	B2	3/2020	DiChario	
10,641,571	B2	5/2020	Quinn	
D886,936	S *	6/2020	Oglesby	D22/108
D894,317	S *	8/2020	Spector	D22/108
D895,049	S *	9/2020	Sharps	D22/108
D897,479	S *	9/2020	McLeroy	D22/108
11,060,809	B2 *	7/2021	McCall	F41A 17/38
D943,702	S *	2/2022	Underwood	D22/108
D944,351	S *	2/2022	Williams	D22/108
2011/0005115	A1	1/2011	Cahill	
2015/0198395	A1 *	7/2015	Visinski	F41A 3/66 42/6
2015/0362273	A1	12/2015	Foster	
2016/0109202	A1	4/2016	Weilharter	
2017/0051990	A1	2/2017	Purkiss	
2017/0160032	A1 *	6/2017	Overstreet	F41A 17/36
2017/0299303	A1 *	10/2017	Phipps	F41A 17/36
2018/0066910	A1	3/2018	Biran	
2018/0106567	A1	4/2018	Meyers	
2018/0180369	A1	6/2018	Pappas	
2018/0347925	A1 *	12/2018	Gibbens	F41A 3/66
2019/0204035	A1	7/2019	Biran	
2019/0212089	A1	7/2019	Quinn	
2019/0310040	A1	10/2019	Ladner	
2020/0049437	A1	2/2020	Chen	

* cited by examiner

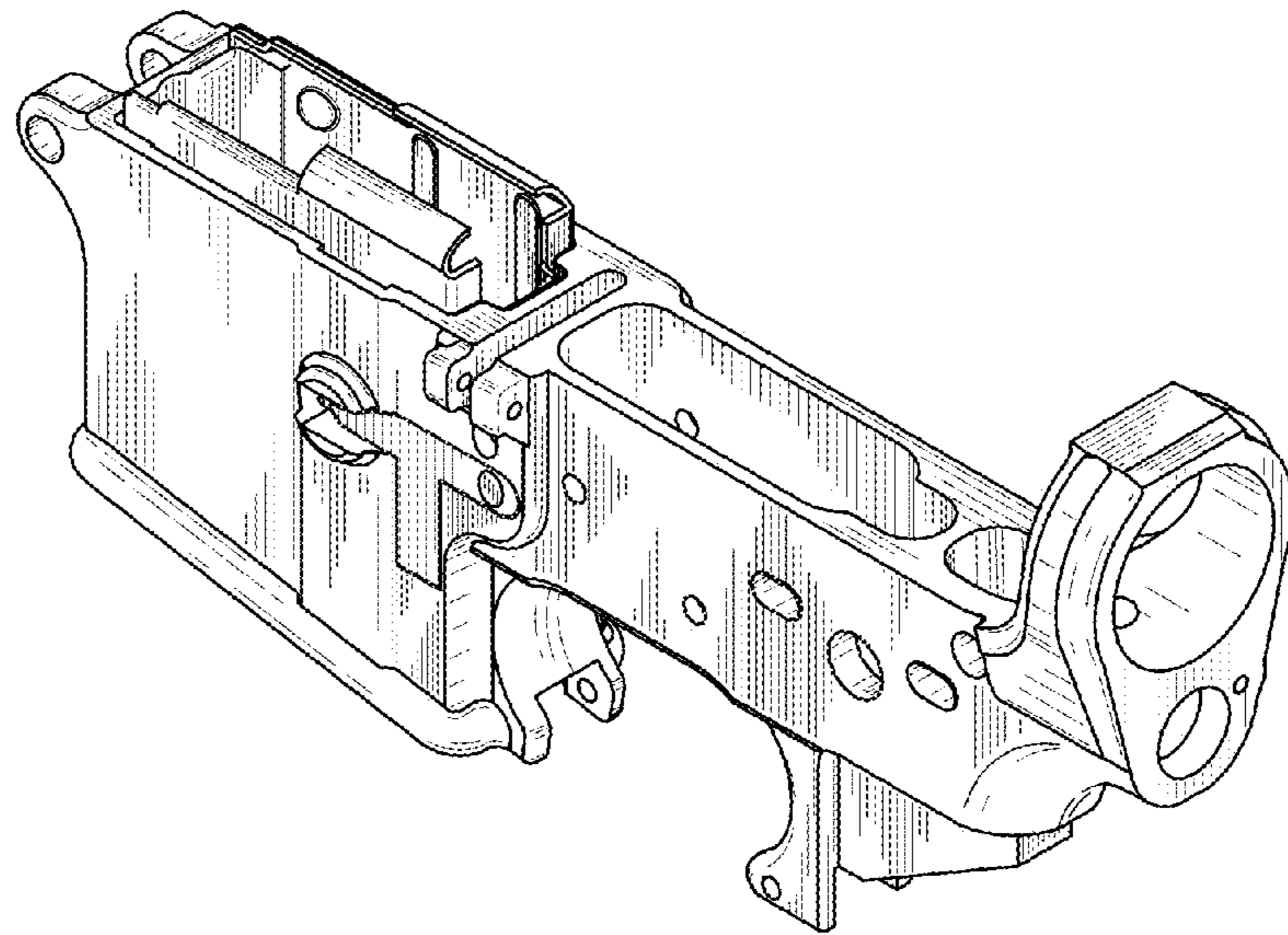
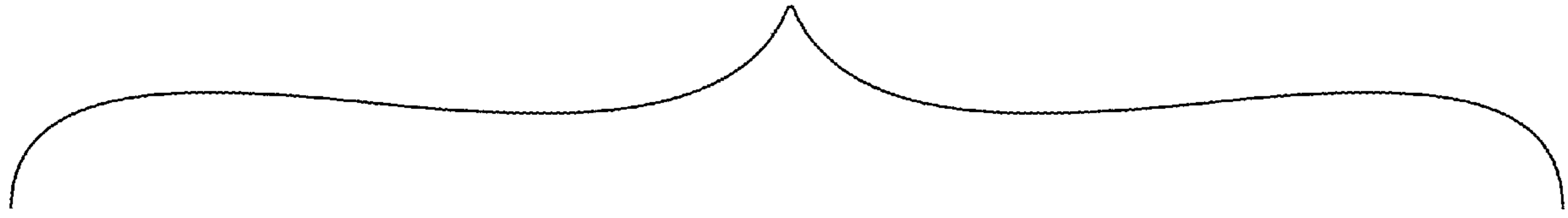


FIG. 1

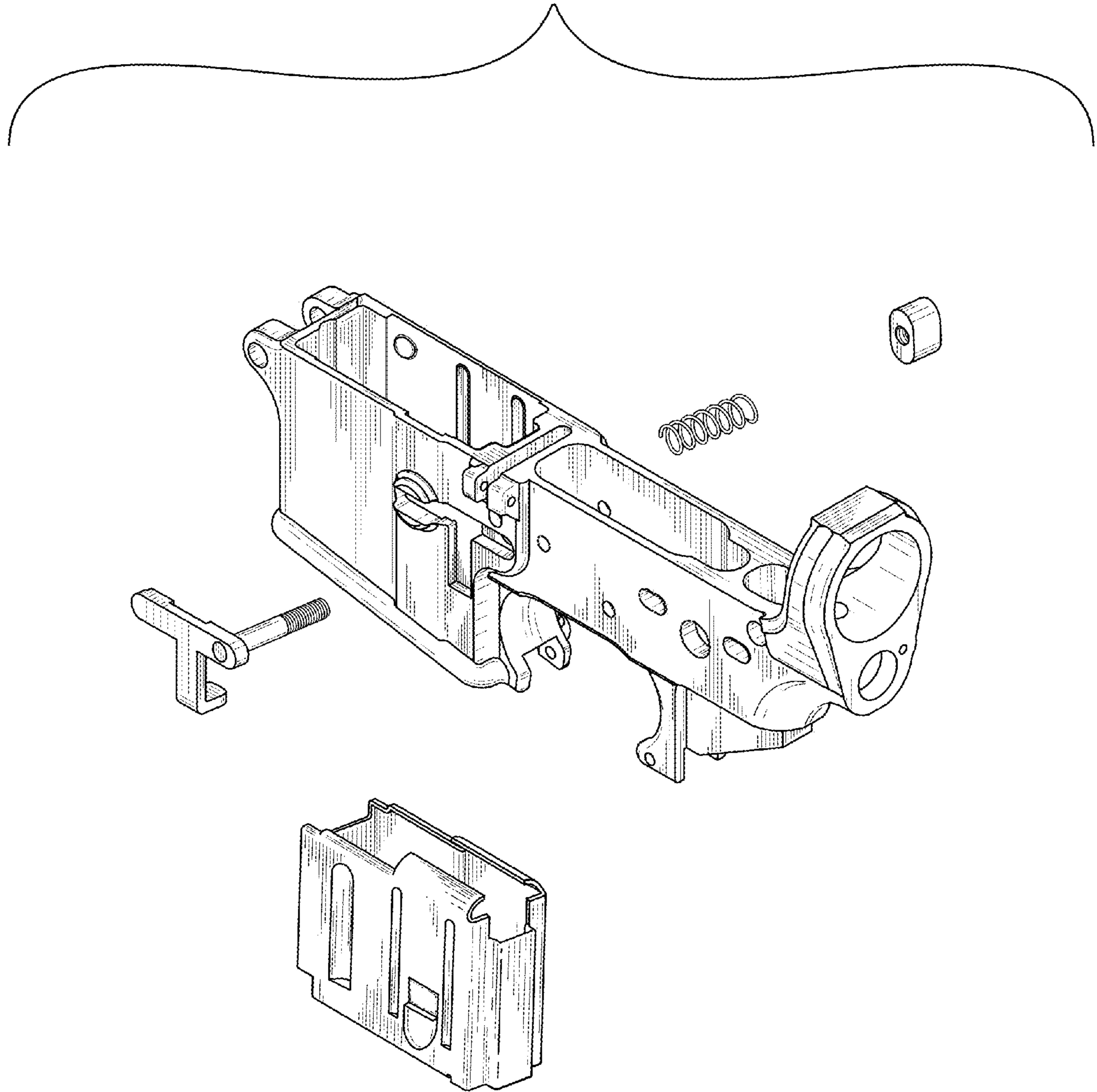


FIG. 2

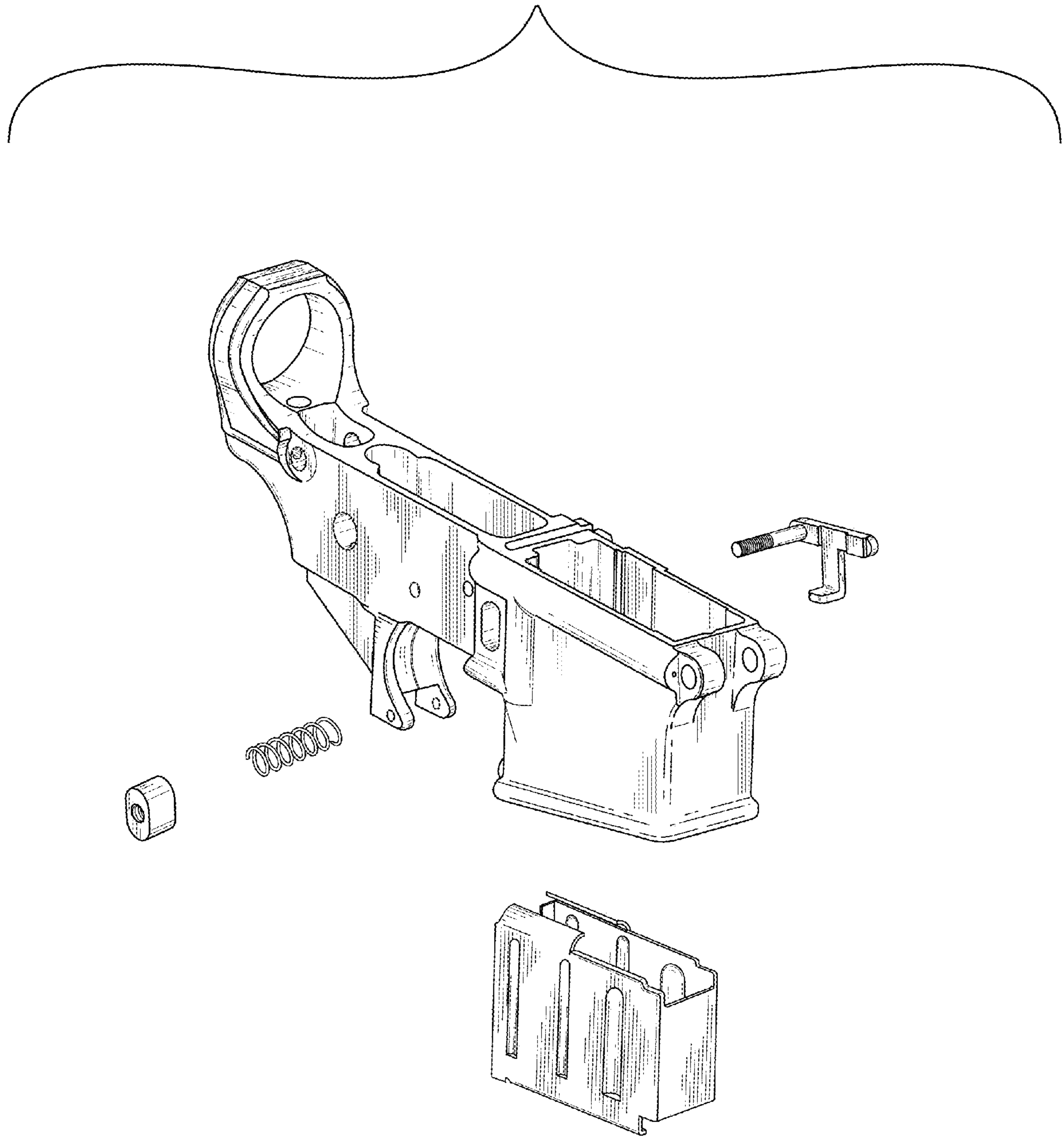


FIG. 3

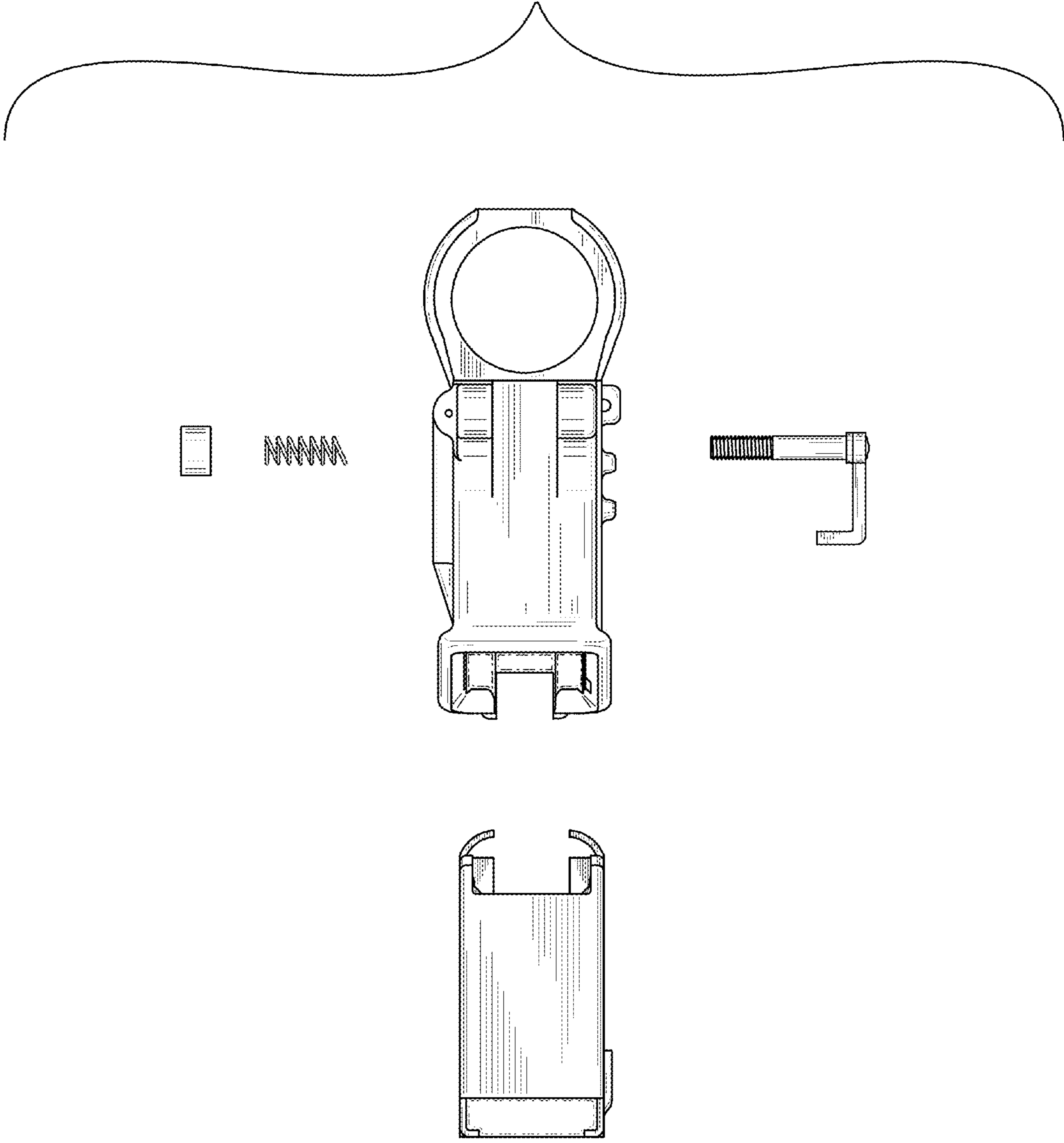


FIG. 4

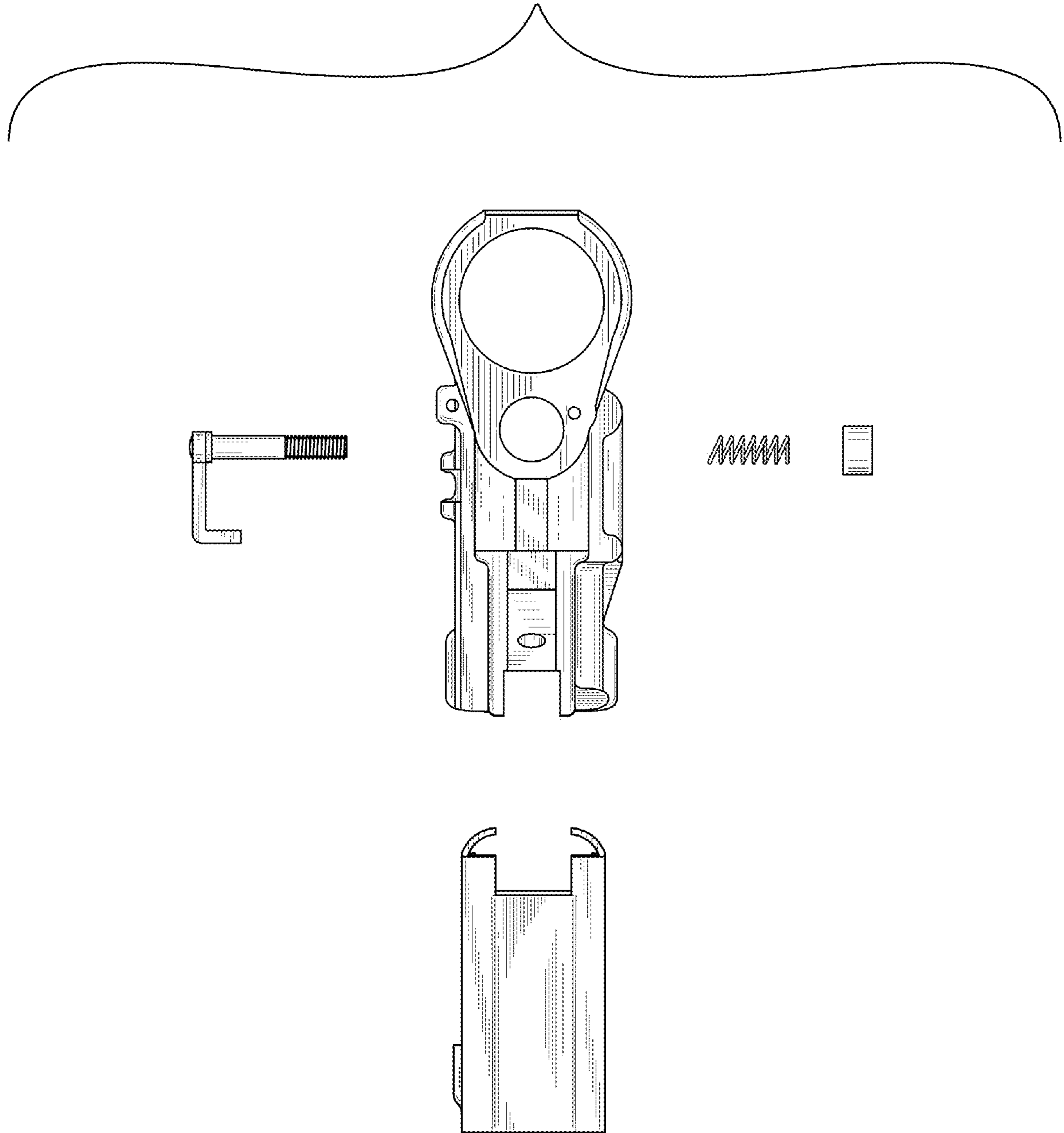


FIG. 5

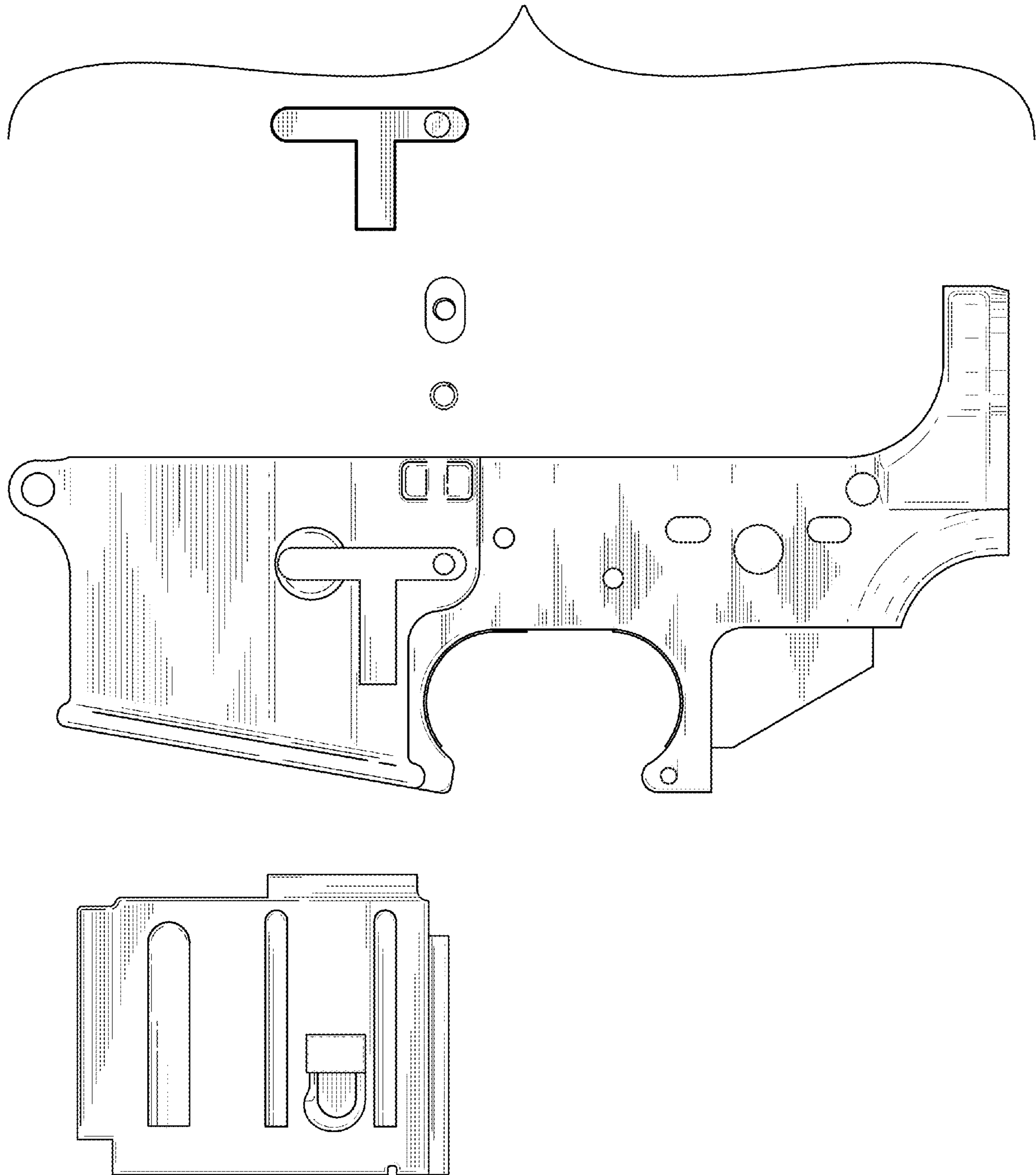


FIG. 6

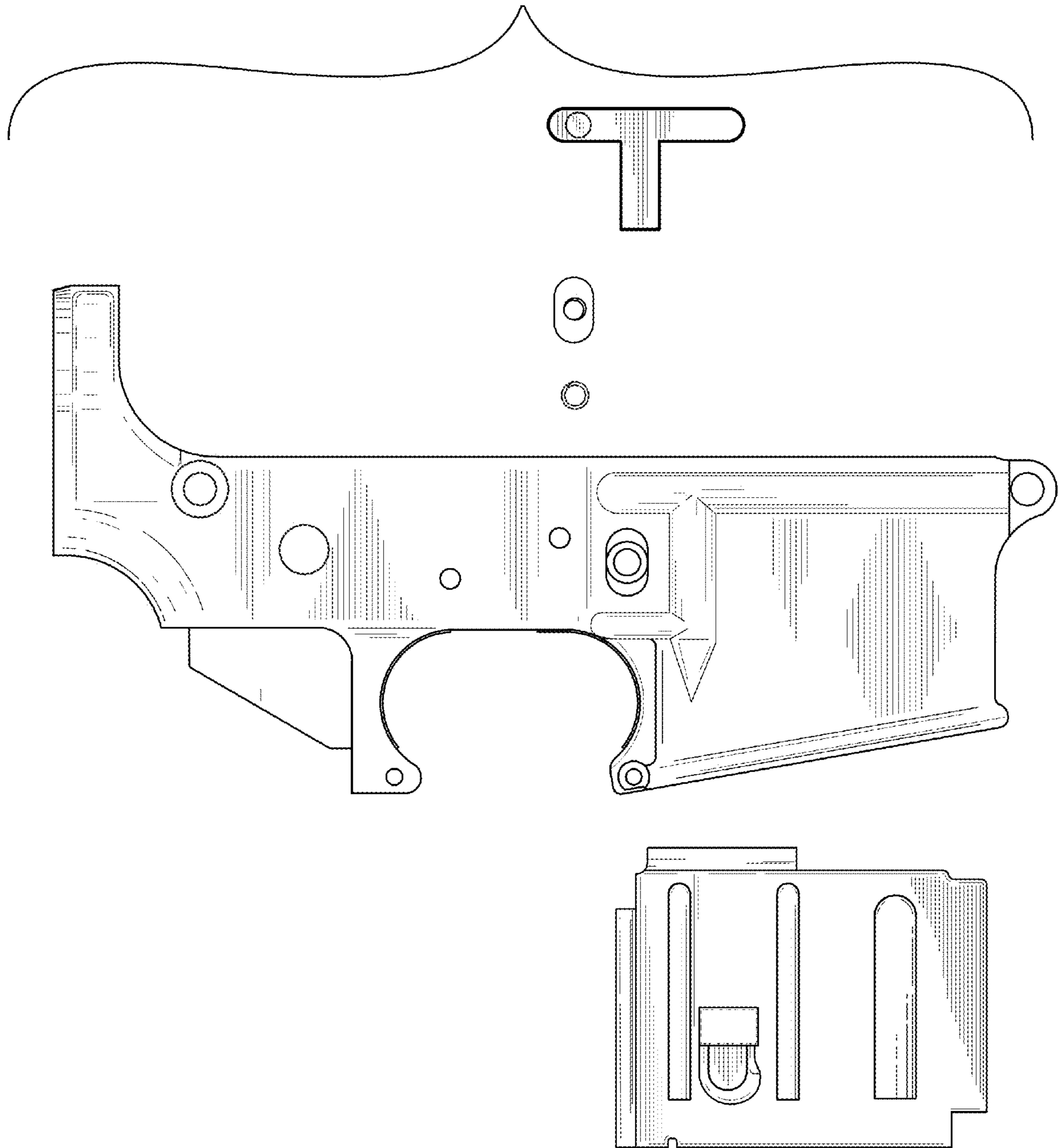


FIG. 7

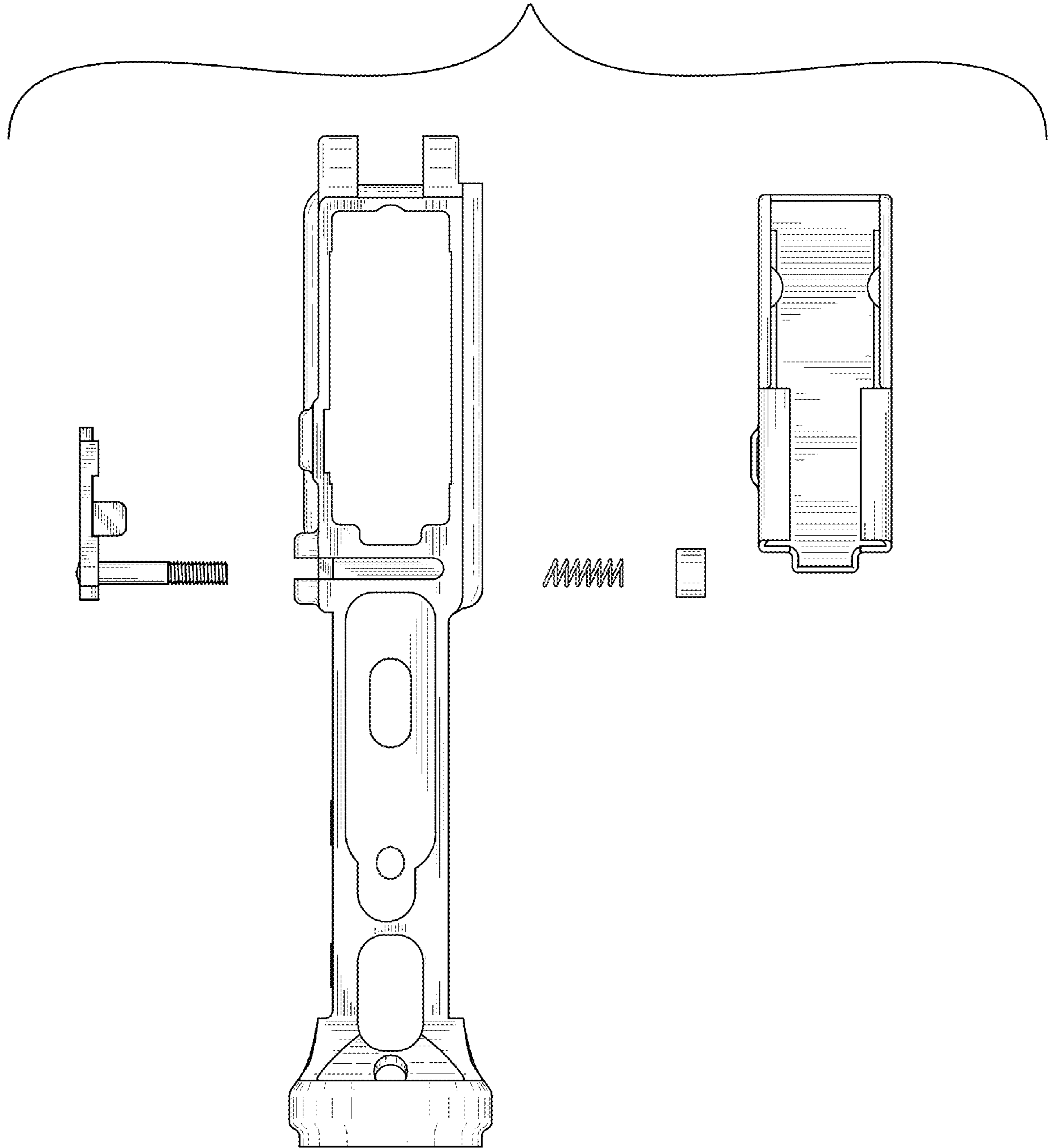


FIG. 8

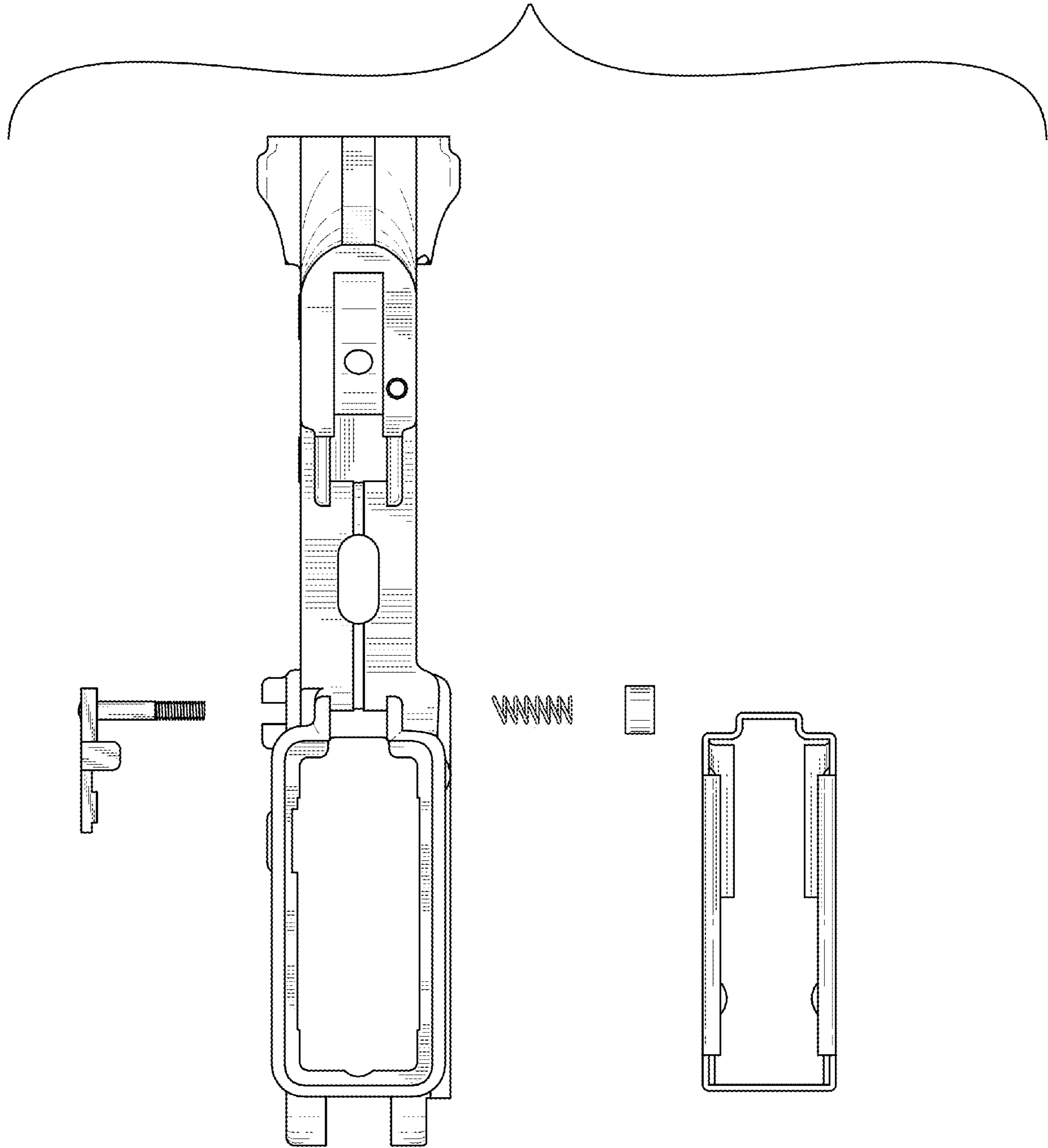


FIG. 9