

US00D967323S

(12) **United States Design Patent** (10) **Patent No.:** **US D967,323 S**
Mooney et al. (45) **Date of Patent:** **** Oct. 18, 2022**

- (54) **HANDGUN SLIDE**
- (71) Applicant: **Agile Ventures, LLC**, Asheville, NC (US)
- (72) Inventors: **Gregory Mooney**, Hendersonville, NC (US); **Joel Monkhouse**, Hendersonville, NC (US)
- (73) Assignee: **Agile Ventures, LLC**, Asheville, NC (US)
- (**) Term: **15 Years**
- (21) Appl. No.: **29/713,631**
- (22) Filed: **Nov. 18, 2019**
- (51) **LOC (13) Cl.** **22-01**
- (52) **U.S. Cl.**
USPC **D22/108**
- (58) **Field of Classification Search**
USPC D22/104, 108; D21/572-575
See application file for complete search history.

(56) **References Cited**

U.S. PATENT DOCUMENTS

3,159,080	A *	12/1964	Freed	F41A 17/74
					42/70.08
D249,800	S *	10/1978	Yates	D22/104
D661,766	S *	6/2012	Siddle	F41A 21/00
					D22/108
8,584,390	B1 *	11/2013	Fraher	F41C 23/10
					42/71.02
D716,397	S *	10/2014	Rothmann	D22/104
D846,038	S *	4/2019	Lin	D22/104
D865,897	S *	11/2019	Reese	D22/104
D868,192	S *	11/2019	Martelli	D22/104
D870,228	S *	12/2019	Jager	D22/108
D883,413	S *	5/2020	Wilson	D22/104

D903,807	S *	12/2020	Delgado Acarreta	D21/574
D910,796	S *	2/2021	Jen	D22/108
11,150,044	B1 *	10/2021	Cobb	F41A 19/42
11,287,216	B2 *	3/2022	Padovan	F41G 1/033
2014/0338243	A1 *	11/2014	La Vigne	F41A 35/06
					42/16
2014/0338522	A1 *	11/2014	Bellione	F41A 15/00
					42/1.06
2015/0020425	A1 *	1/2015	Spine	F41A 17/36
					42/49.01
2020/0072568	A1 *	3/2020	Delbecq	F41A 3/66

* cited by examiner

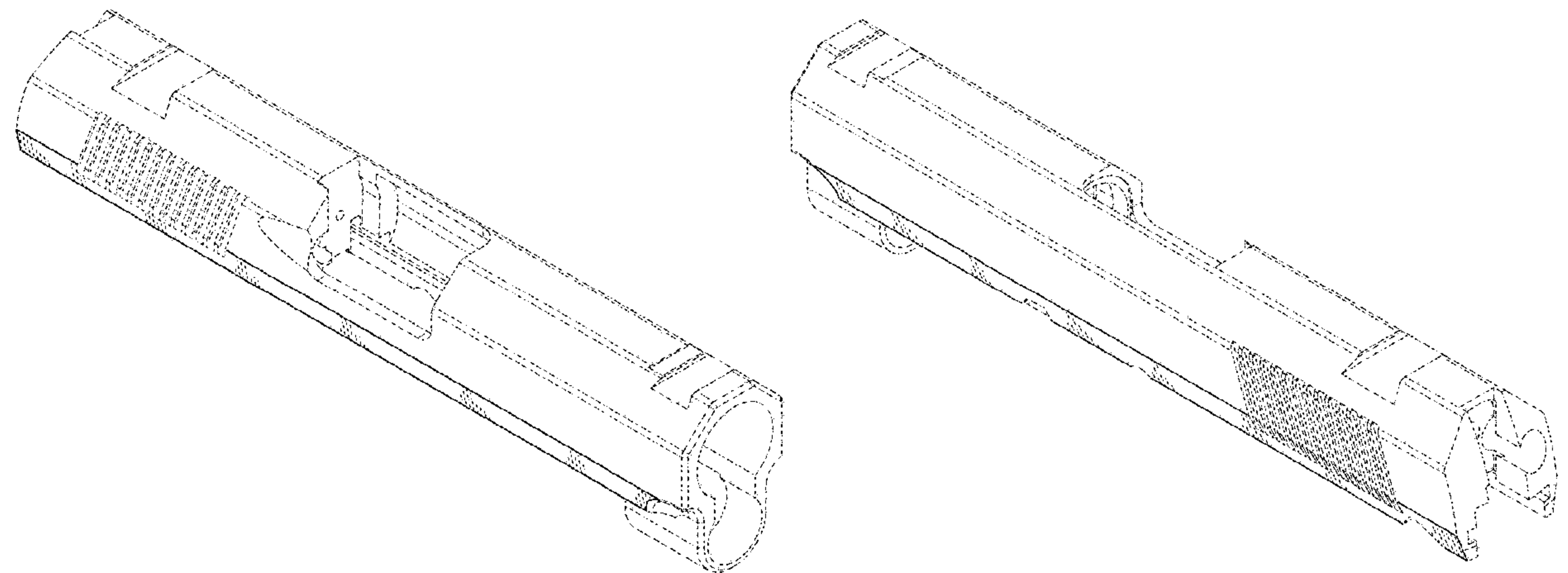
Primary Examiner — Michael A. Pratt
(74) *Attorney, Agent, or Firm* — Wood Herron & Evans LLP

(57) **CLAIM**
The ornamental design for a handgun slide, as shown and described.

DESCRIPTION

FIG. 1 is a first isometric view of the handgun slide; FIG. 2 is a second isometric view thereof; FIG. 3 is a left side elevational view thereof; FIG. 4 is a right side elevational view thereof; FIG. 5 is a front elevational view thereof; FIG. 6 is a rear elevational view thereof; FIG. 7 is a cross-sectional view taken substantially along line 7-7 of FIG. 3; FIG. 8 is a top plan view thereof; FIG. 9 is a bottom plan view thereof; FIG. 10 is a left side elevational view of an embodiment of varied length; and, FIG. 11 is a right side elevational view thereof. The portions of the handgun slide depicted in broken lines form no part of the claimed design.

1 Claim, 6 Drawing Sheets



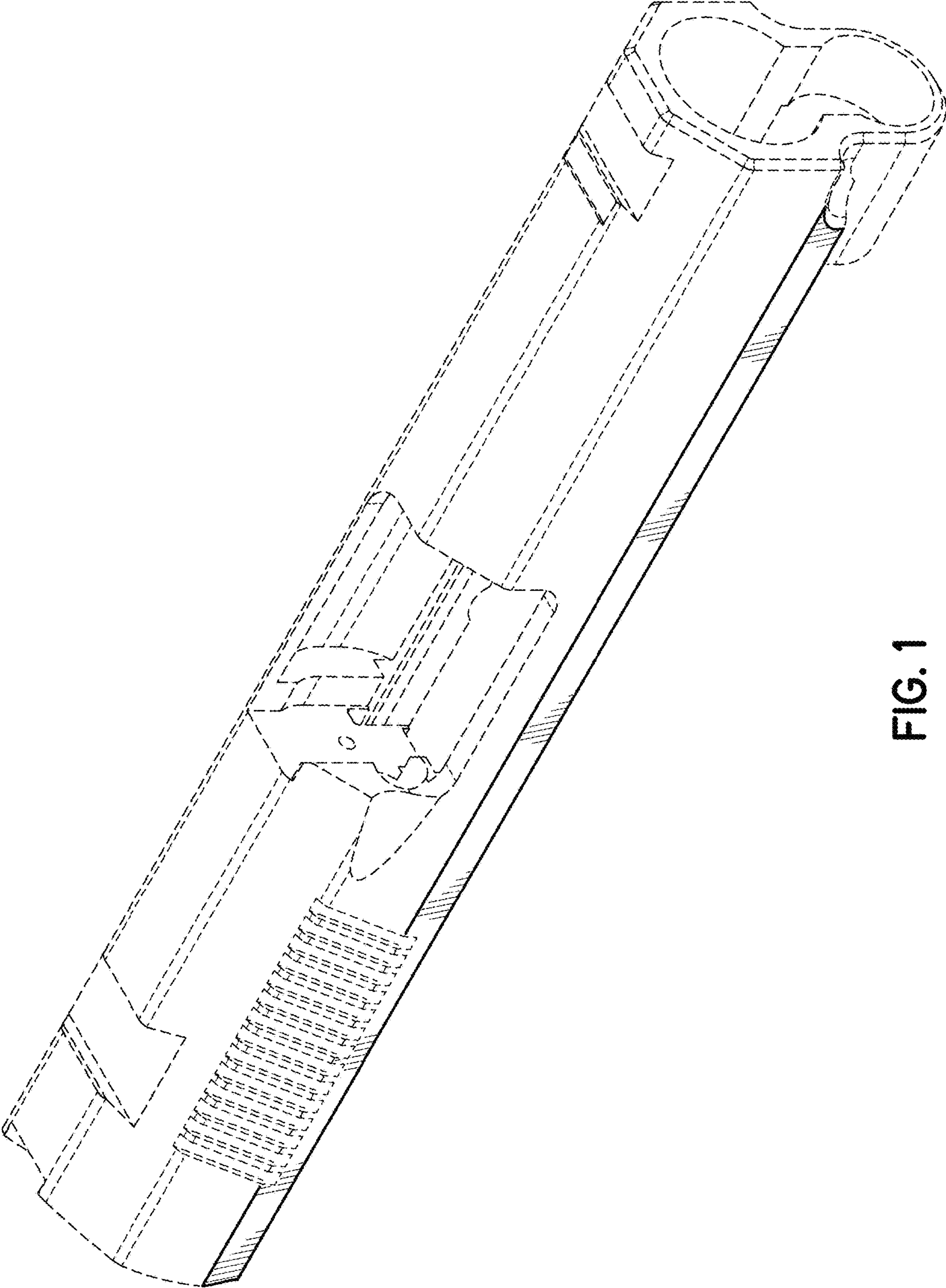


FIG. 1

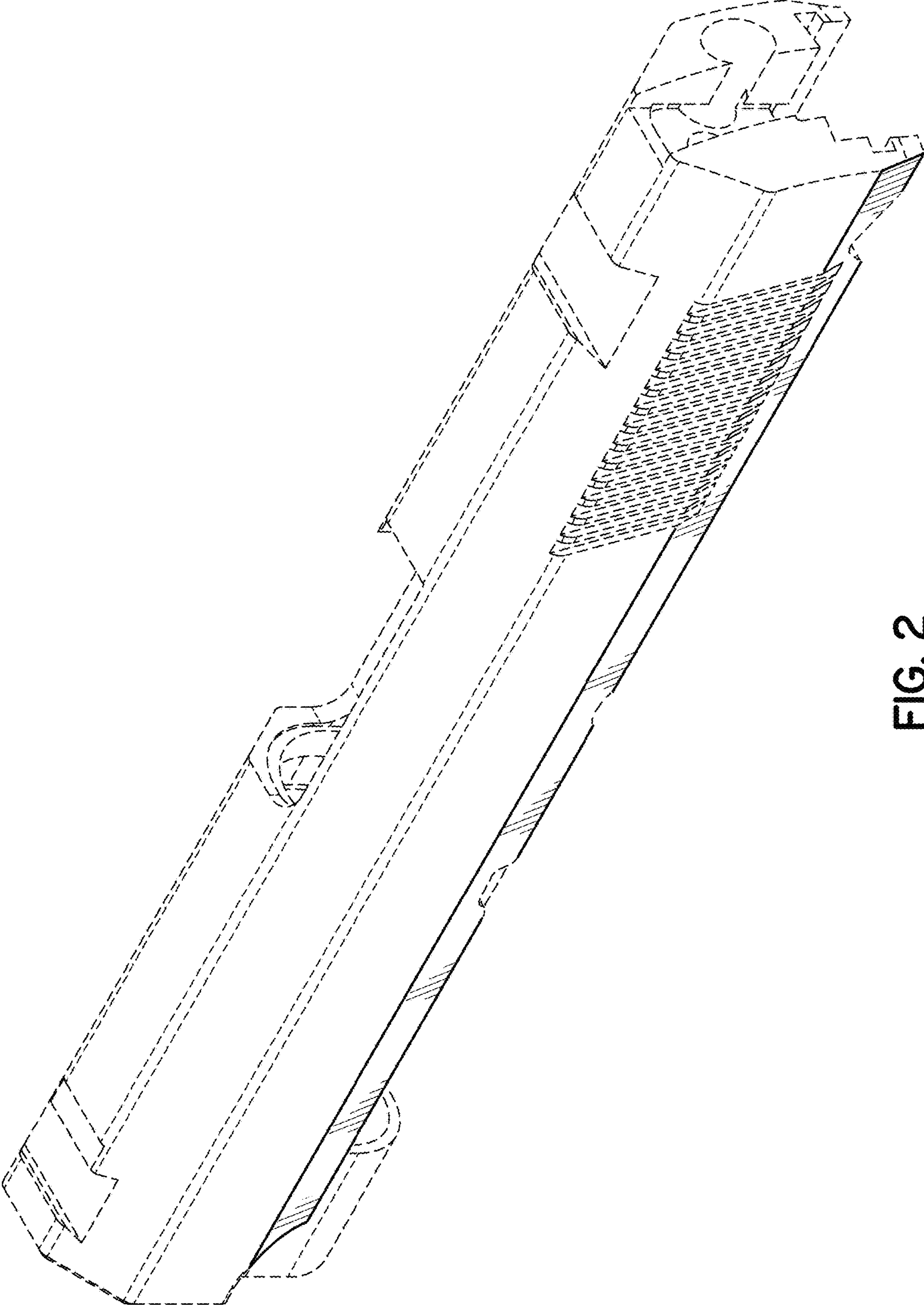


FIG. 2

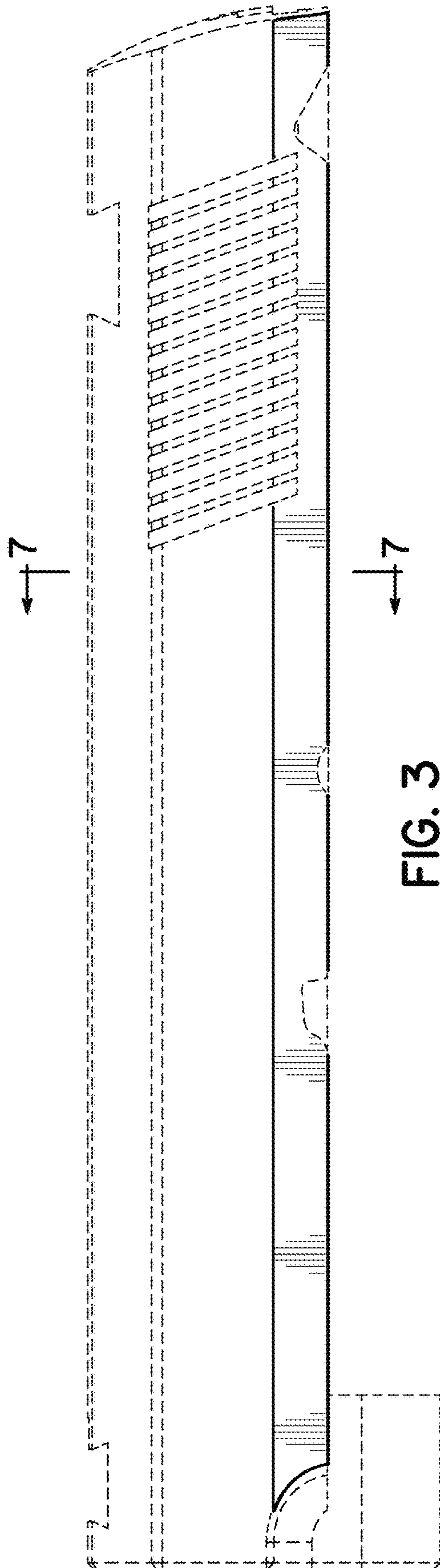


FIG. 3

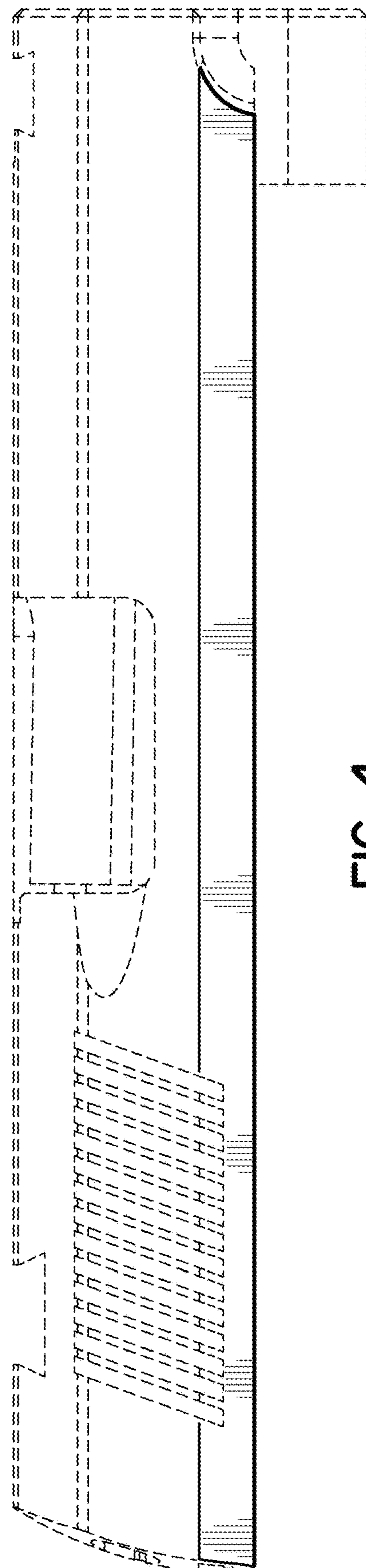


FIG. 4

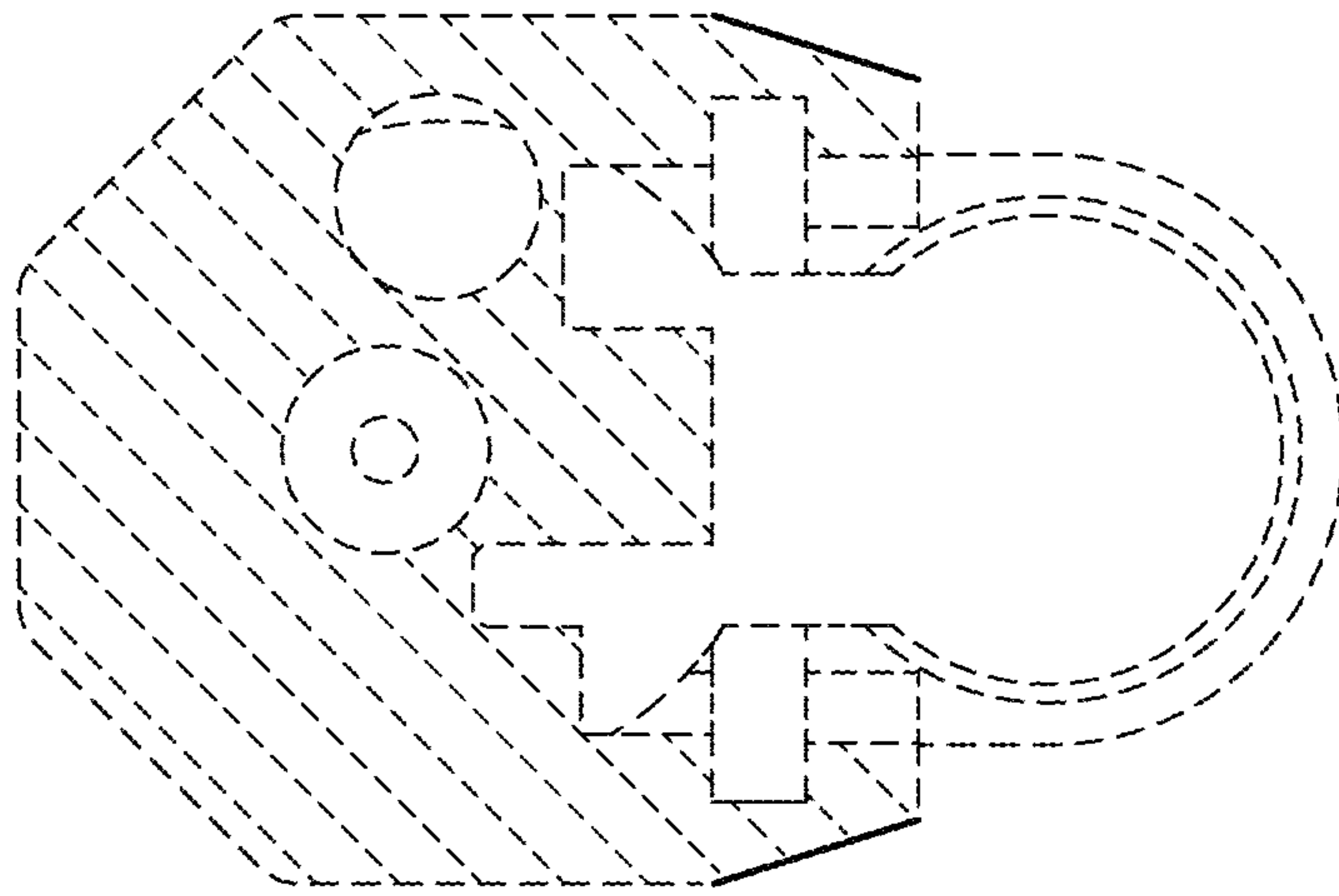


FIG. 5

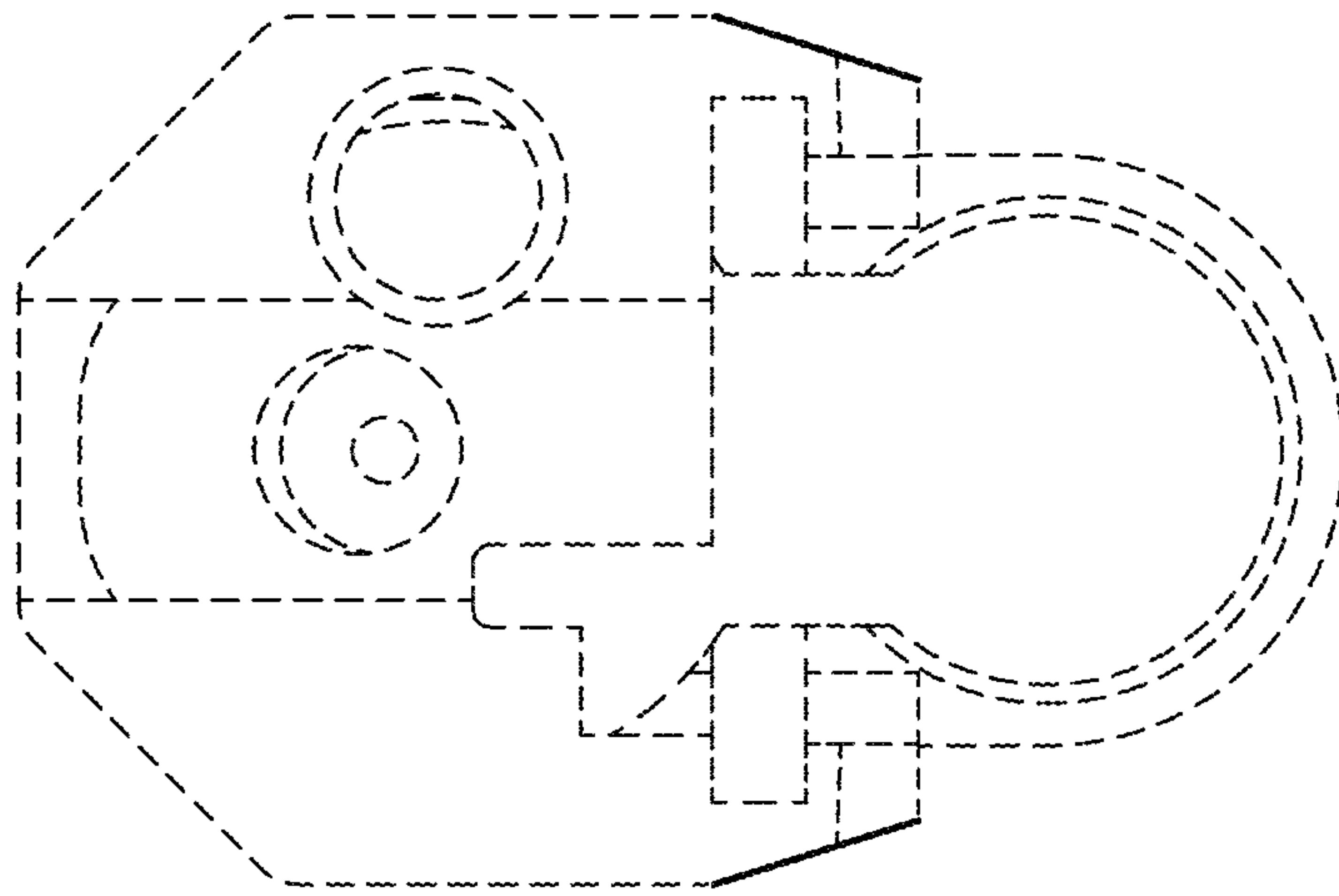


FIG. 6

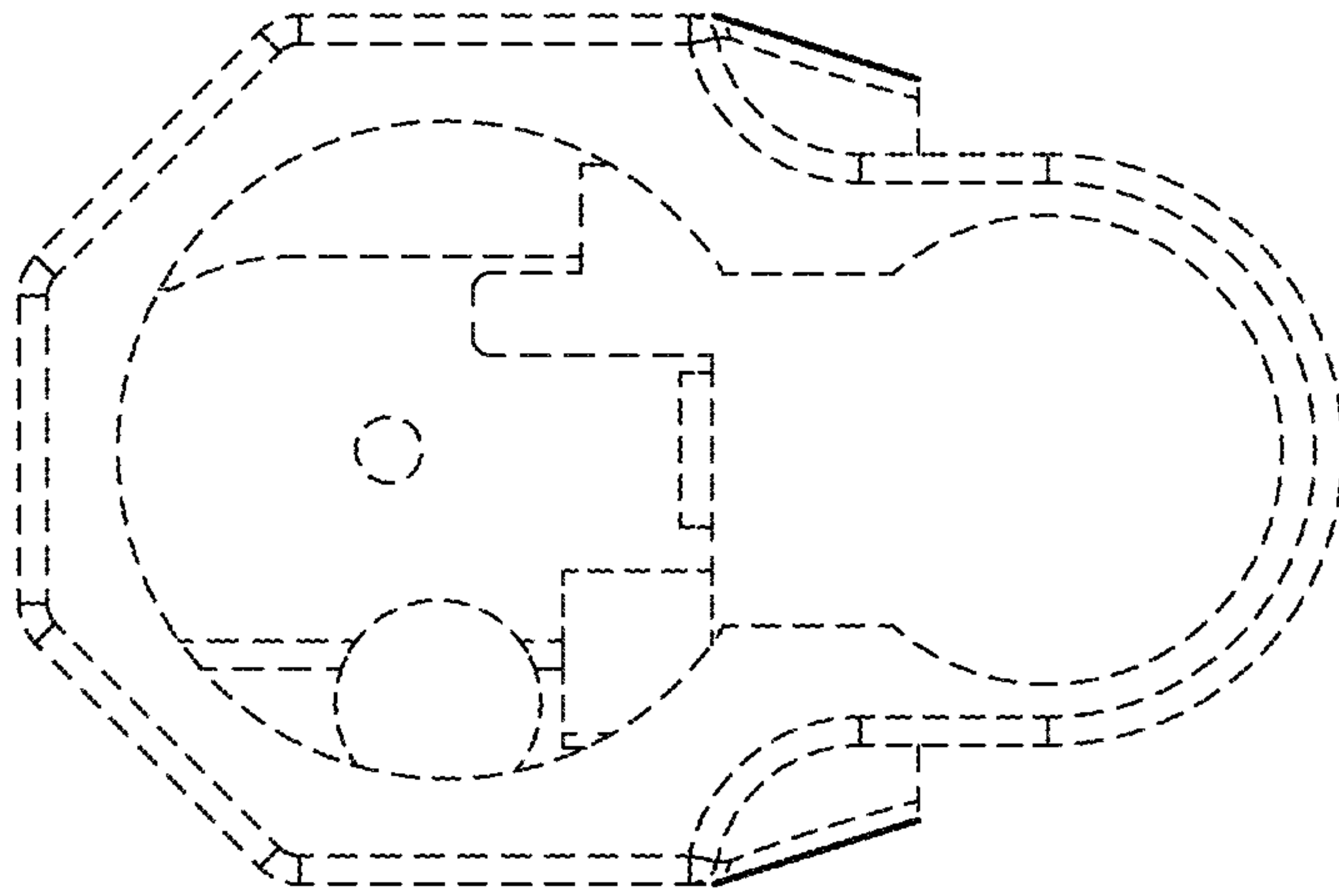


FIG. 7

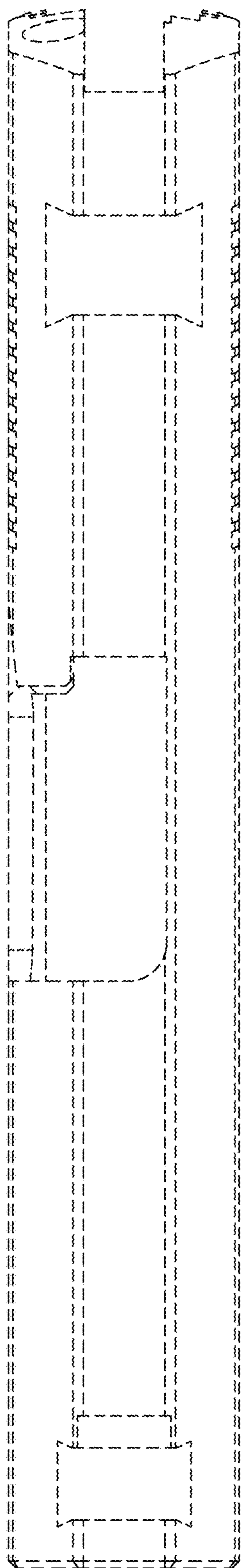


FIG. 8

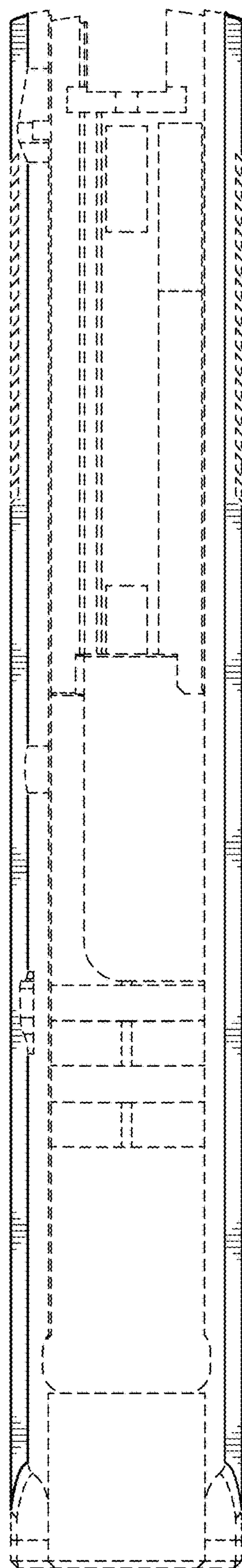


FIG. 9

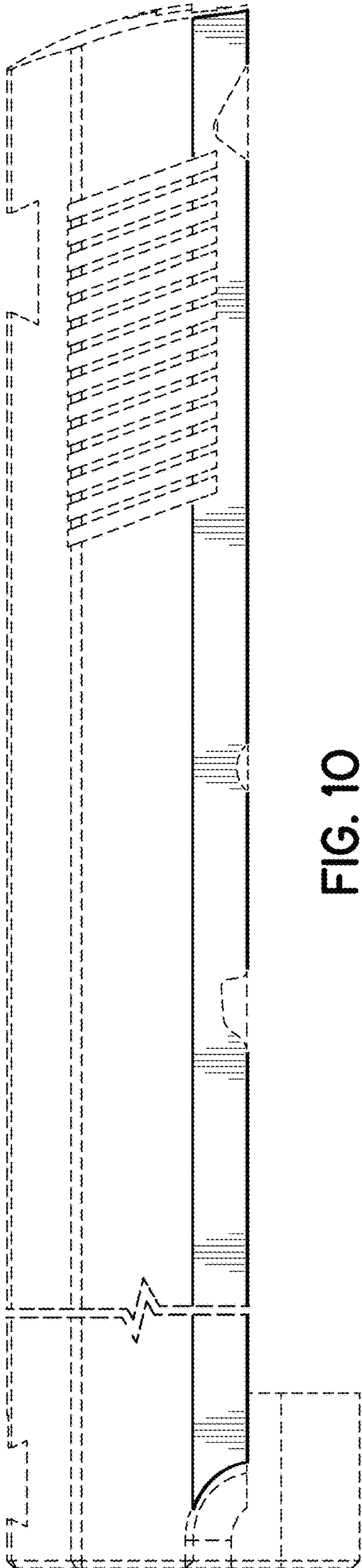


FIG. 10

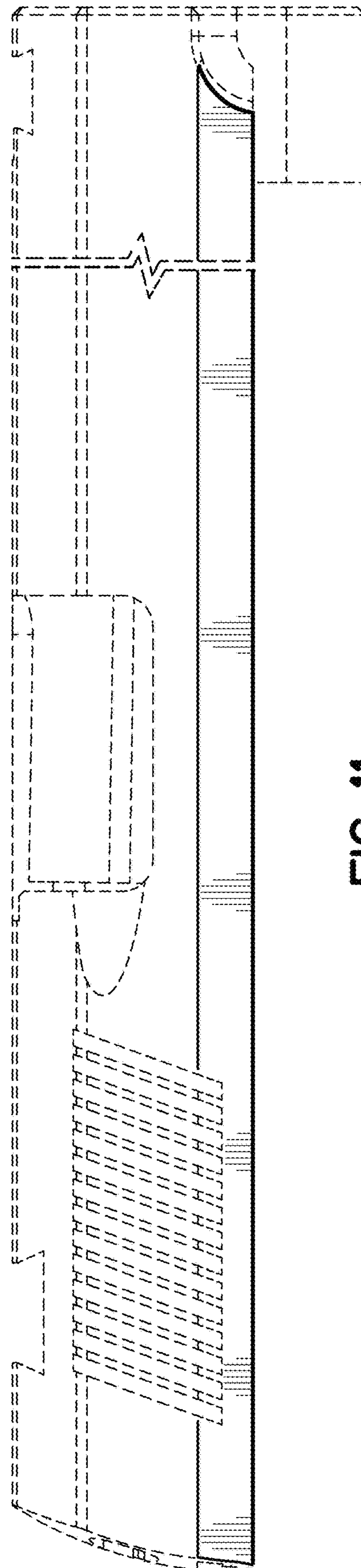


FIG. 11