

US00D967321S

(12) **United States Design Patent** (10) **Patent No.:** **US D967,321 S**
Jiang (45) **Date of Patent:** **** Oct. 18, 2022**

(54) **WATER SPRAY SWIMMING POOL**

2019/0175445 A1* 6/2019 Hsu A61H 33/02
2021/0046500 A1* 2/2021 Huang E04H 4/12
2021/0108431 A1* 4/2021 Huang A61H 33/02

(71) Applicant: **Maoqun Jiang**, Jiangxi (CN)

(72) Inventor: **Maoqun Jiang**, Jiangxi (CN)

(**) Term: **15 Years**

FOREIGN PATENT DOCUMENTS

EM 007972781-0001 * 6/2020
EM 008824692-001 * 1/2022

(21) Appl. No.: **29/829,114**

(22) Filed: **Mar. 3, 2022**

(51) **LOC (13) Cl.** **21-03**

(52) **U.S. Cl.**
USPC **D21/815**

(58) **Field of Classification Search**
USPC D21/811, 814-816, 835; D25/2
CPC . E04H 15/20; E04H 4/00-0062; A63H 33/32;
A63G 31/12
See application file for complete search history.

OTHER PUBLICATIONS

Water spray swimming pool google search; google.com; Aug. 6, 2022.*

* cited by examiner

Primary Examiner — Mitchell I. Siegel
(74) *Attorney, Agent, or Firm* — Che-Yang Chen; Law Office of Michael Chen

(56) **References Cited**

U.S. PATENT DOCUMENTS

2,861,277 A * 11/1958 Hermann E04H 7/30
220/691
3,631,544 A * 1/1972 Tytel E04H 4/0025
206/522
3,710,791 A * 1/1973 Deaton A61G 11/00
135/117
D244,453 S 5/1977 Yamaha
D246,058 S * 10/1977 Burgess D21/815
D318,895 S * 8/1991 Kuan D21/816
D404,457 S * 1/1999 Peterson D21/815
D409,707 S * 5/1999 Peterson D21/815
D741,436 S * 10/2015 Lin D21/815
D788,247 S * 5/2017 Lin D21/815
D900,267 S 10/2020 Zhang
D938,540 S * 12/2021 Vaca D21/815
11,384,552 B2 * 7/2022 Huang A61H 33/02
2015/0020306 A1 * 1/2015 Lin E04H 4/0025
4/585
2017/0058544 A1 * 3/2017 Lin E04H 4/12

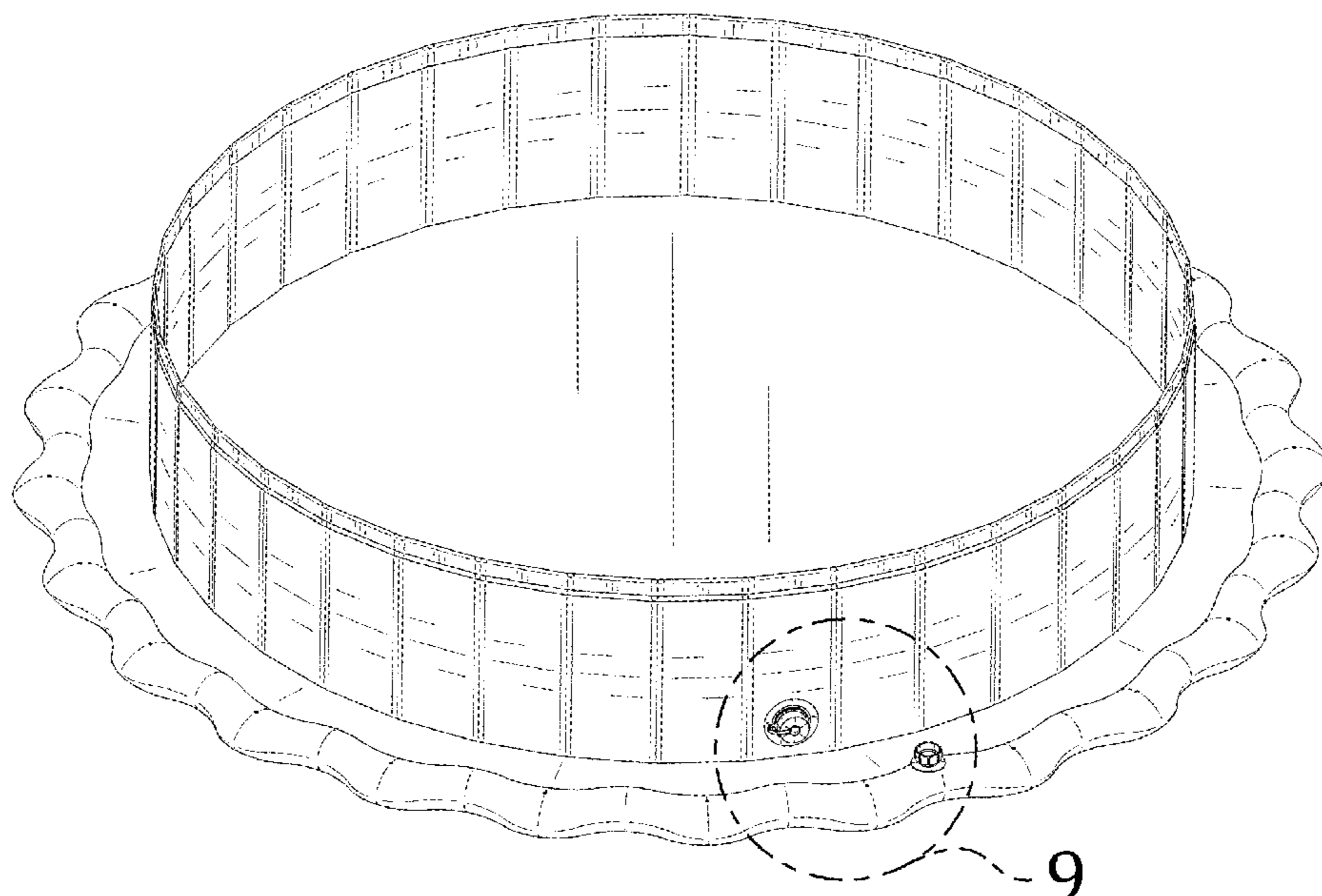
(57) **CLAIM**

The ornamental design for a water spray swimming pool, as shown and described.

DESCRIPTION

FIG. 1 is a perspective view of the water spray swimming pool showing my new design;
FIG. 2 is a perspective view thereof from another angle;
FIG. 3 is a front elevational view thereof;
FIG. 4 is a rear elevational view thereof;
FIG. 5 is a left side elevational view thereof;
FIG. 6 is a right side elevational view thereof;
FIG. 7 is a top plan view thereof;
FIG. 8 is a bottom plan view thereof; and,
FIG. 9 is an enlarged view of a portion indicated with numeric 9 in FIG. 1.

1 Claim, 9 Drawing Sheets



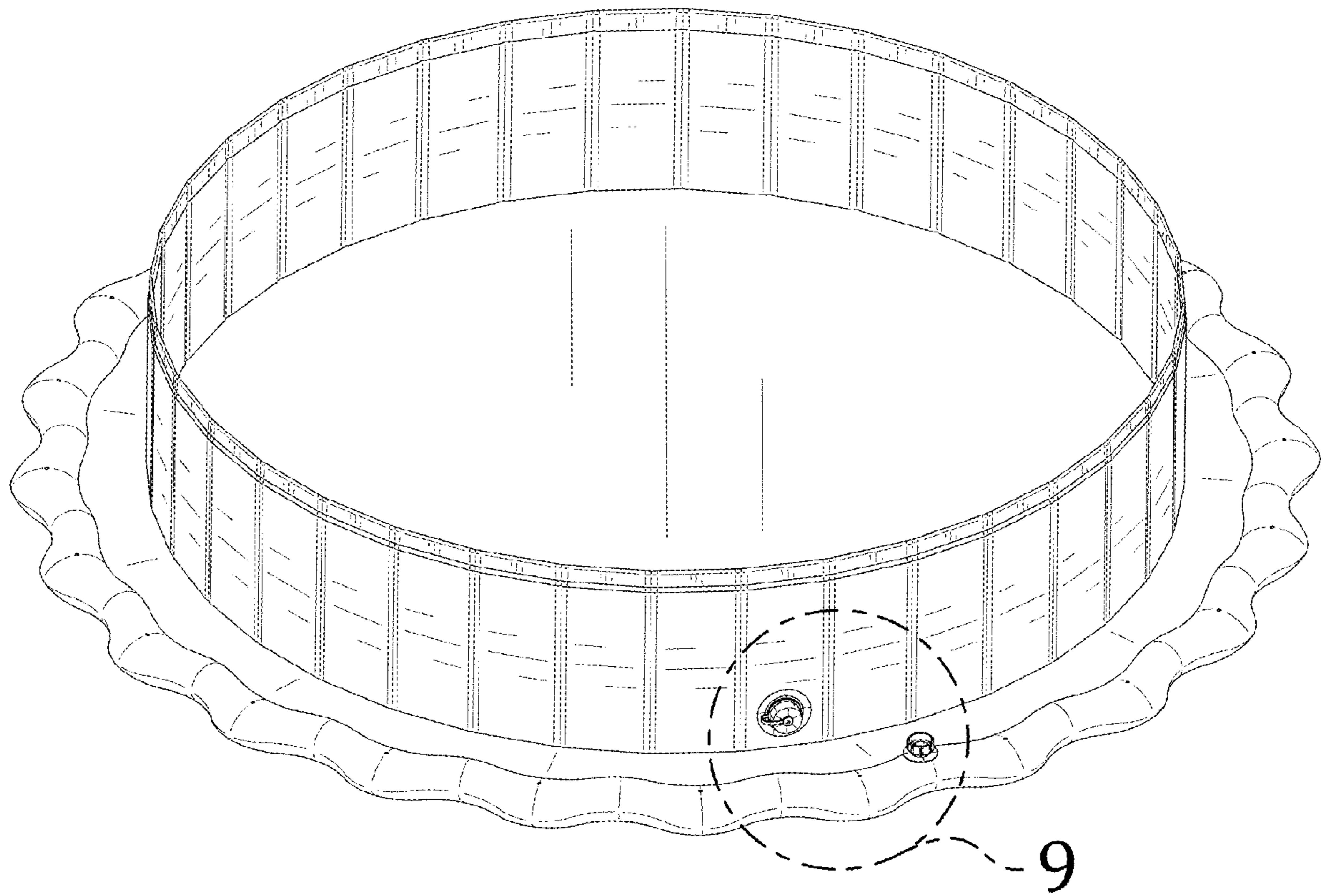


FIG. 1

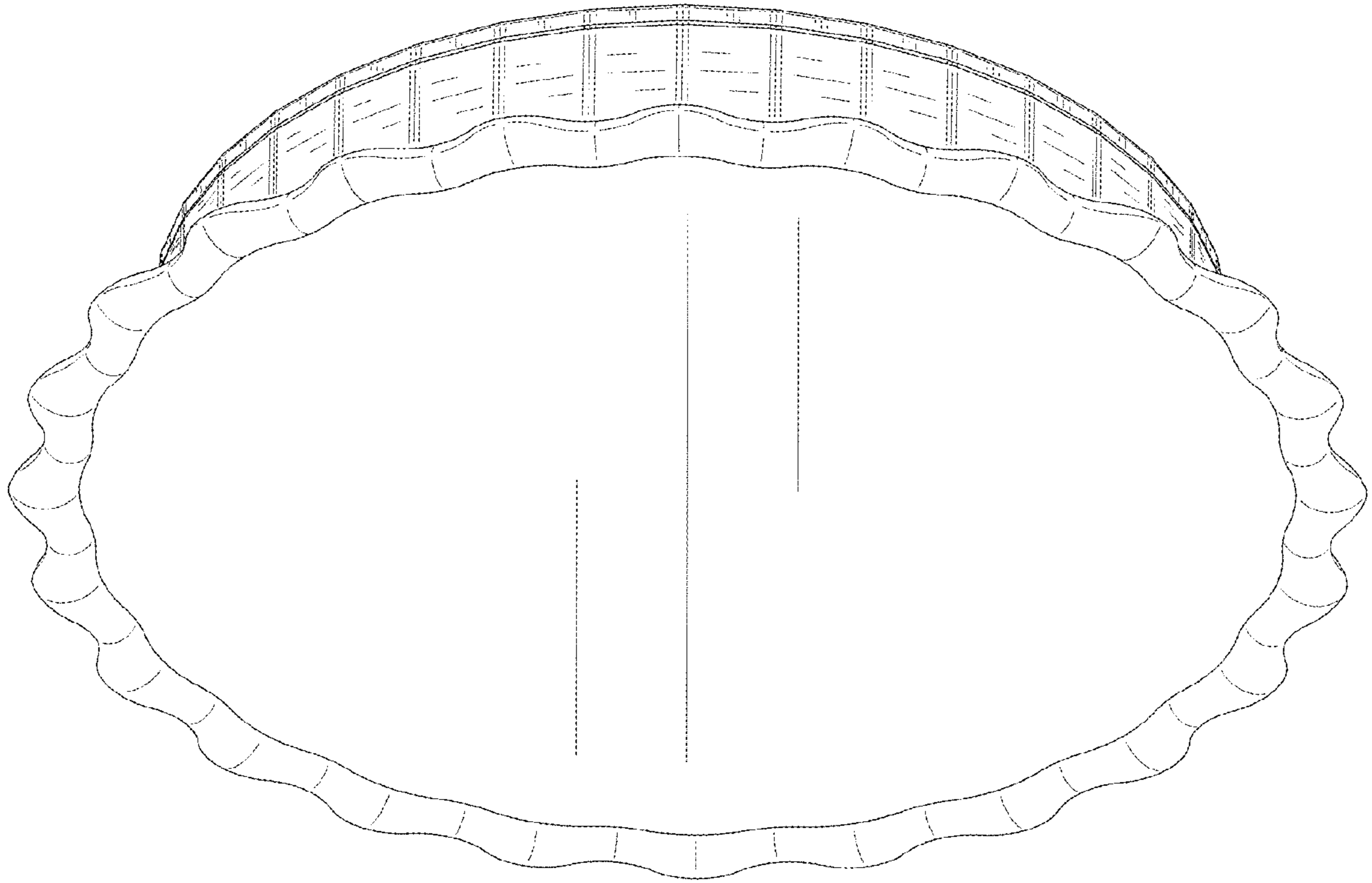


FIG. 2

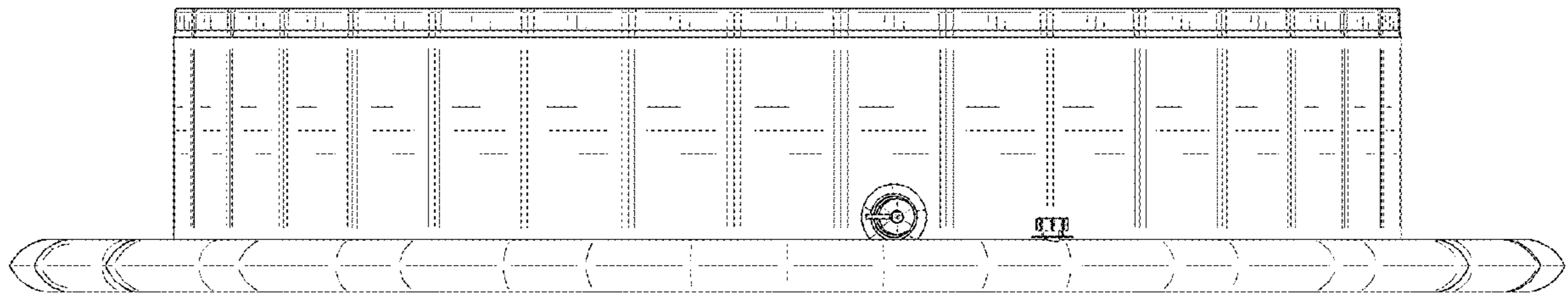


FIG. 3

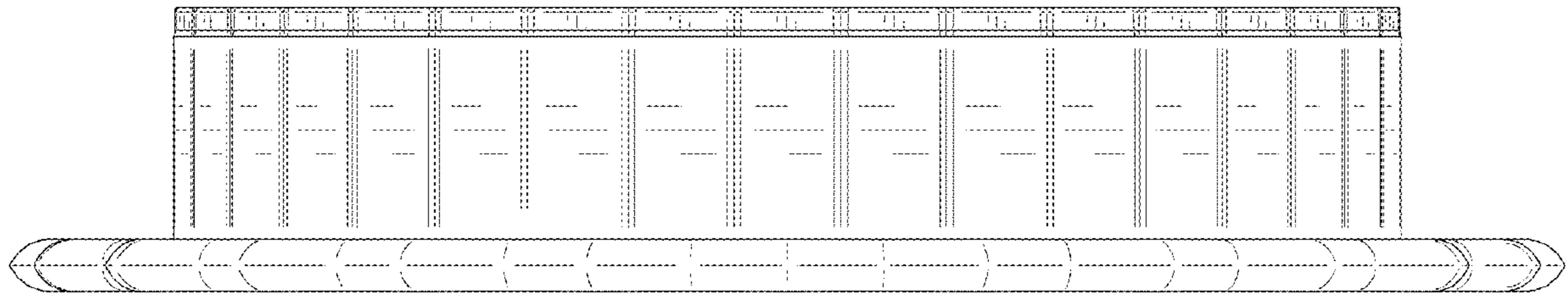


FIG. 4

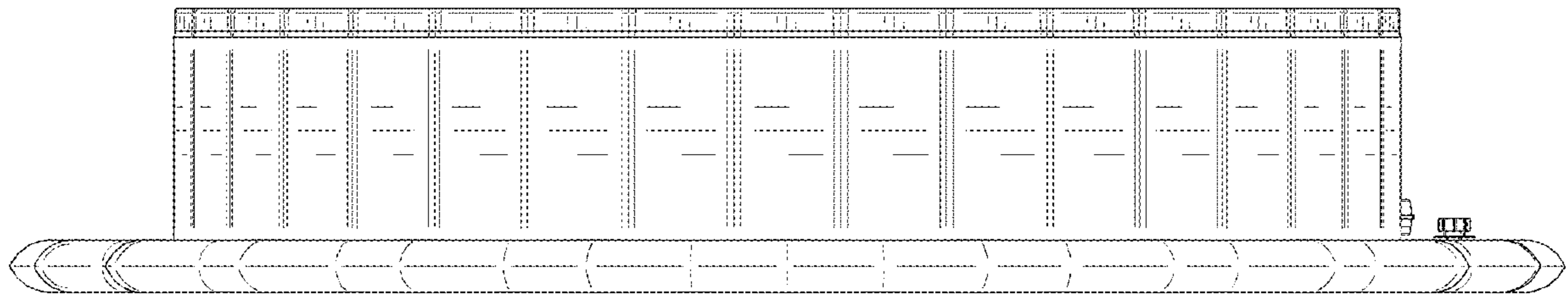


FIG. 5

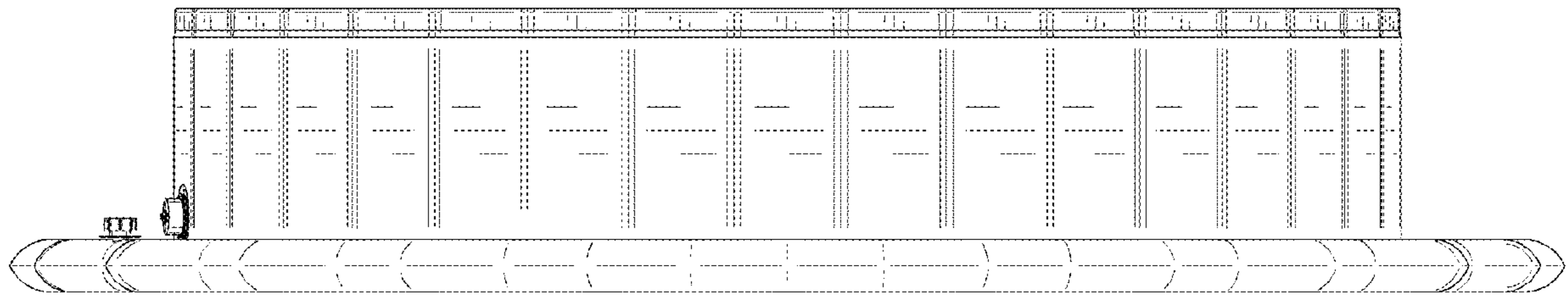


FIG. 6

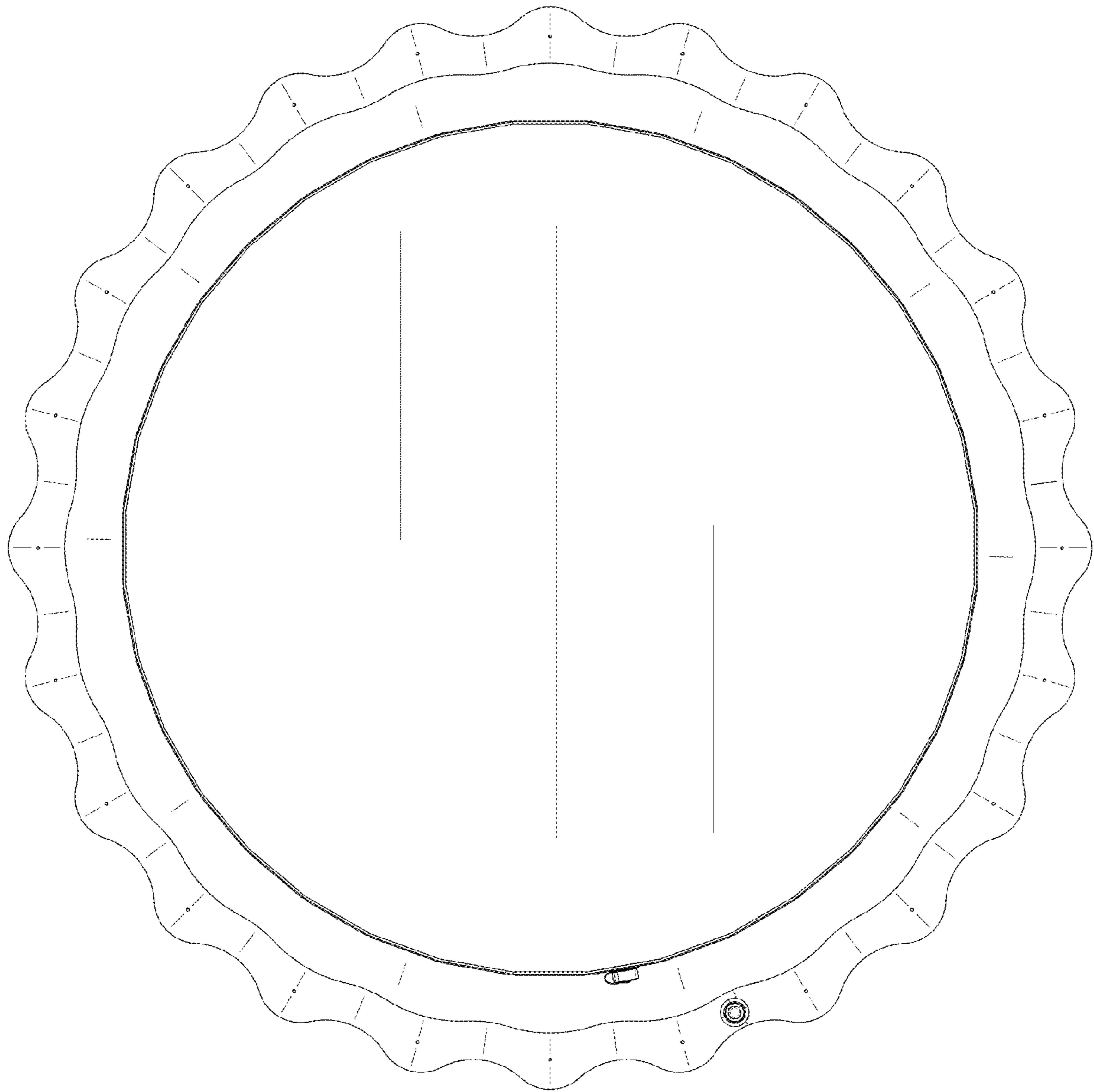


FIG. 7

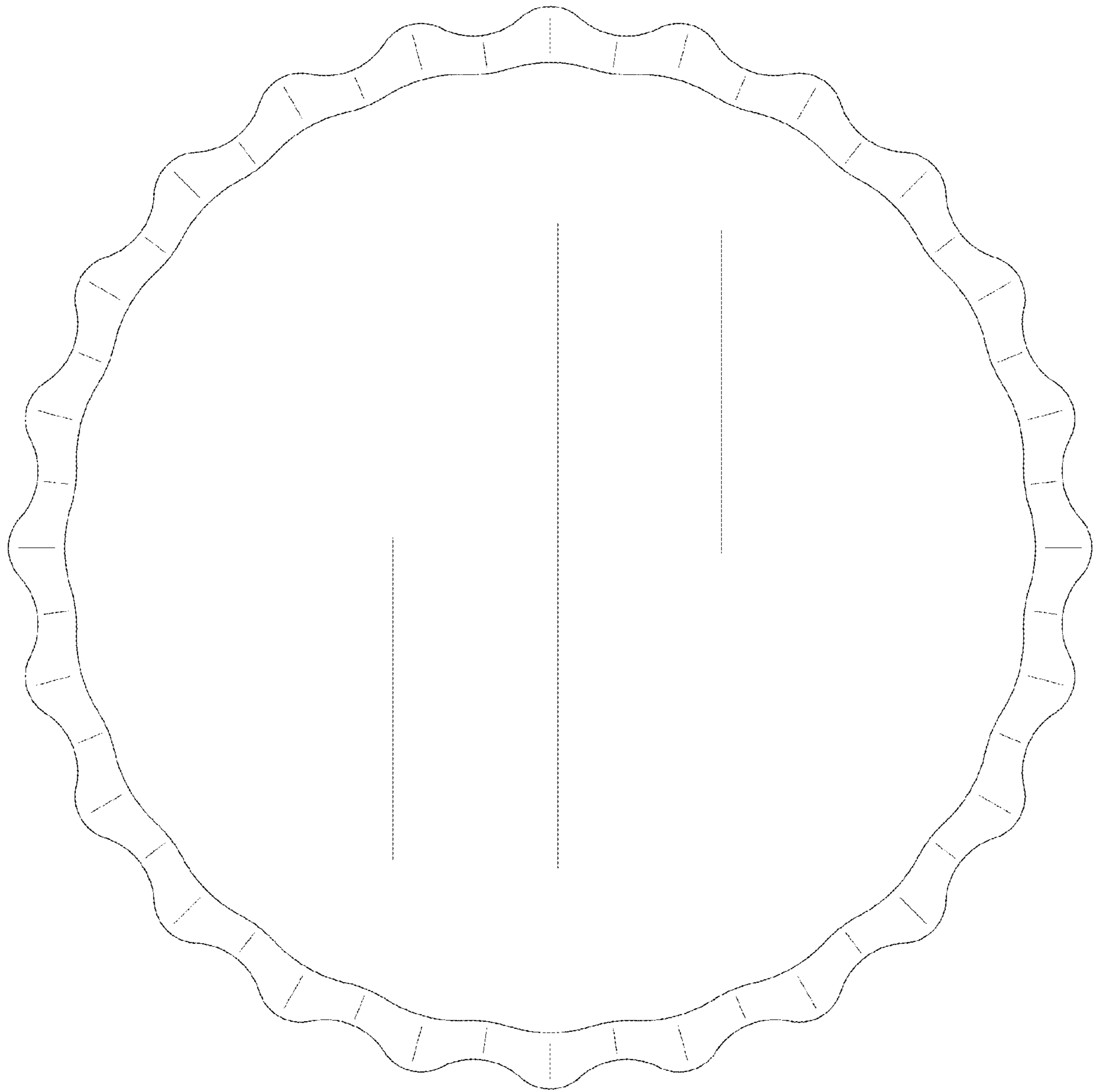


FIG. 8

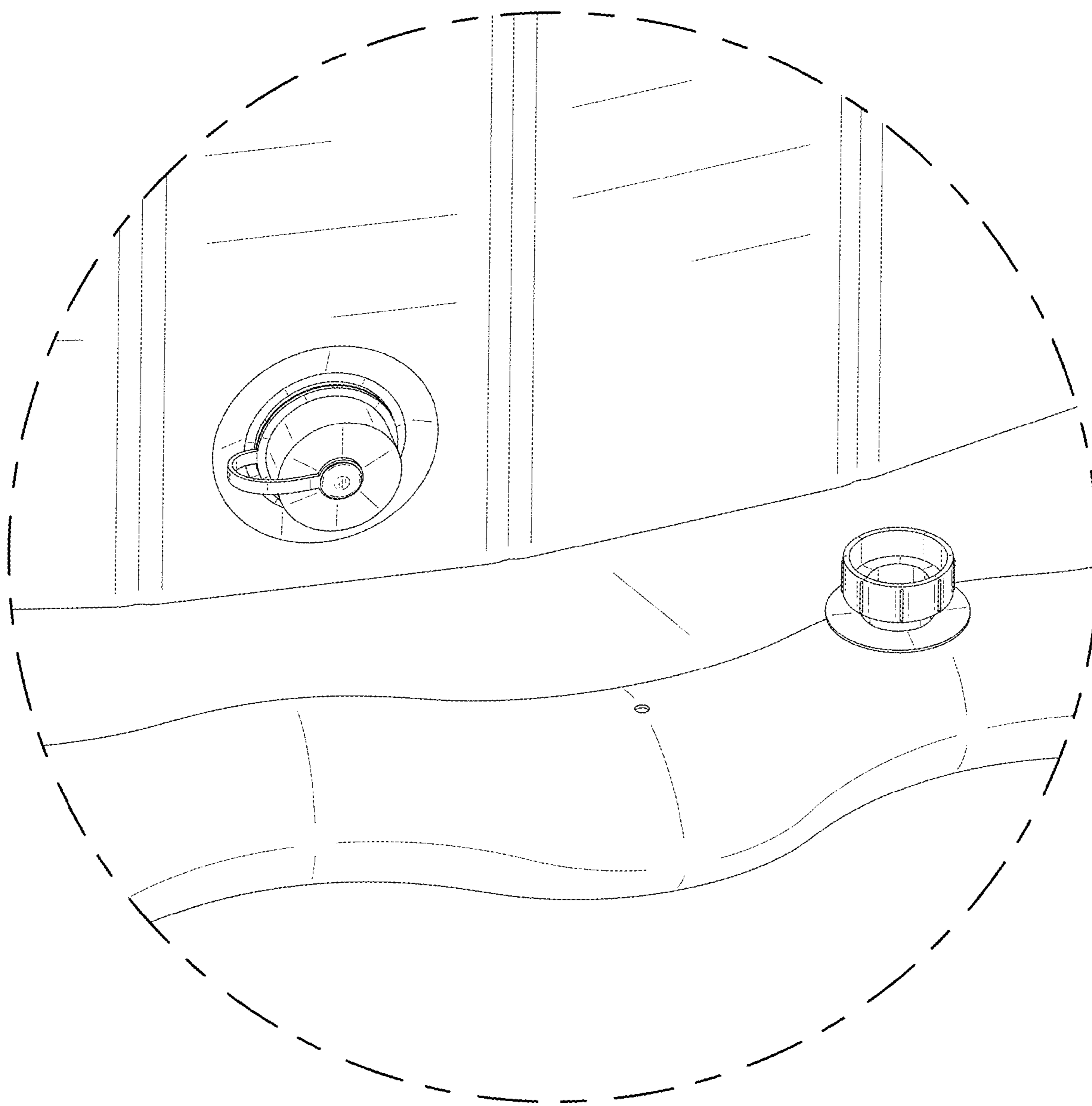


FIG. 9