



US00D967320S

(12) **United States Design Patent**  
**Pan**

(10) **Patent No.:** **US D967,320 S**  
(45) **Date of Patent:** **\*\* Oct. 18, 2022**

(54) **INFLATABLE POOL**

- (71) Applicant: **Xianjun Pan**, Jiangmen (CN)
- (72) Inventor: **Xianjun Pan**, Jiangmen (CN)
- (73) Assignee: **SUNSHINE INFLATABLE TOYS CO., LTD**, Jiangmen (CN)

(\*\*) Term: **15 Years**

(21) Appl. No.: **29/794,241**

(22) Filed: **Jun. 11, 2021**

(51) **LOC (13) Cl.** ..... **21-03**

(52) **U.S. Cl.**  
USPC ..... **D21/815**

(58) **Field of Classification Search**  
USPC ..... D21/811, 818, 819, 832, 835, 814, 815,  
D21/816, 803

See application file for complete search history.

(56) **References Cited**

**U.S. PATENT DOCUMENTS**

5,946,744	A *	9/1999	Peterson	.....	E04H 4/0025 4/588
D425,165	S *	5/2000	Klimenko	.....	E04H 4/0025 D21/815
D451,975	S *	12/2001	Gordon	.....	D21/803
D478,956	S *	8/2003	Feuer	.....	D21/815
D900,267	S *	10/2020	Zhang	.....	E04H 4/0025 D21/815
2017/0113156	A1 *	4/2017	White	.....	B63B 34/52
2018/0363276	A1 *	12/2018	Larson	.....	E03B 3/03

**OTHER PUBLICATIONS**

Base Toy, announced 2020[online], [site visited Aug. 5, 2022]. Available on internet, URL:https://www.amazon.com/iBaseToy-Inflatable-Swimming-Circles-Backyard/dp/B085QJL4V1/ref (Year: 2020).\*

Inflat fun store, announced 2020[online], [site visited Aug. 5, 2022]. Available on internet, URL:https://www.amazon.com/iBaseToy-Inflatable-Swimming-Circles-Backyard/dp/B085QJL4V1/ref (Year: 2020).\*

\* cited by examiner

*Primary Examiner* — Khawaja Anwar  
*Assistant Examiner* — Julice Seung Eun Oum

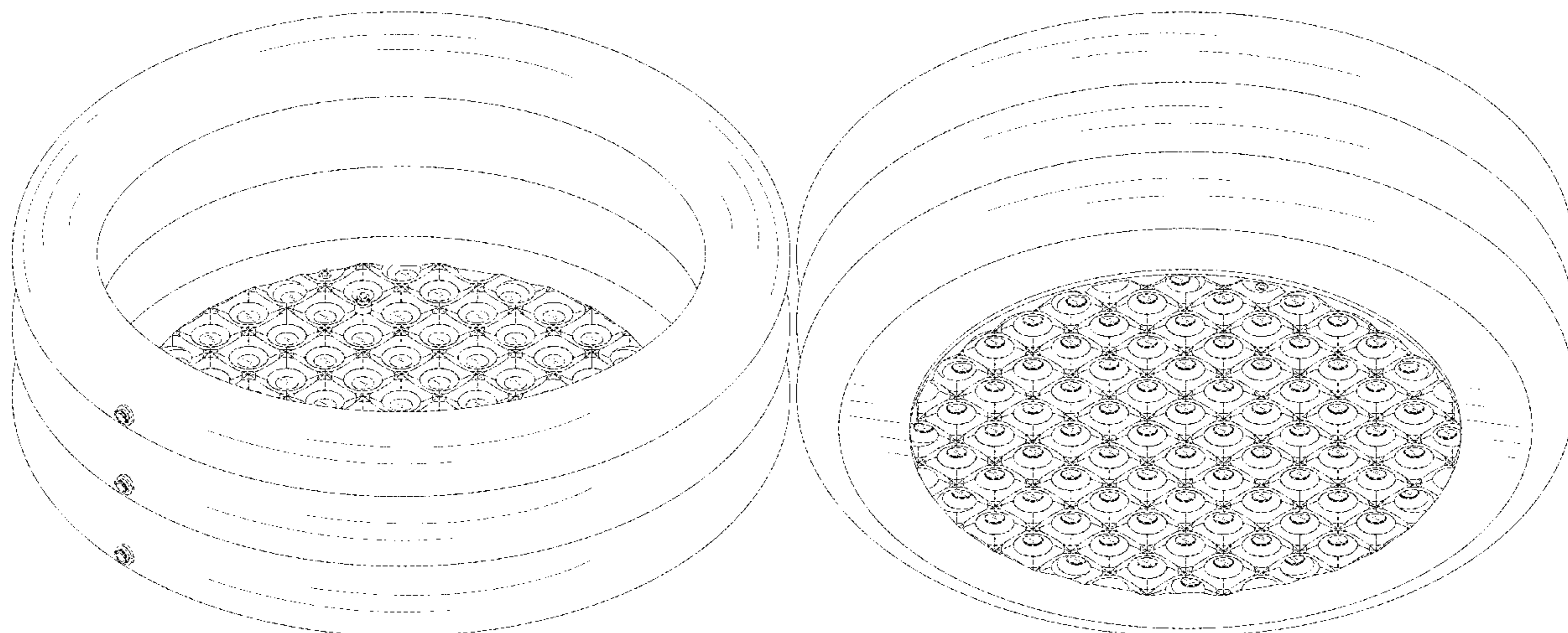
(57) **CLAIM**

The ornamental design for an inflatable pool, as shown and described.

**DESCRIPTION**

FIG. 1 is a front, top perspective view of an inflatable pool showing my new design;  
FIG. 2 is a rear, bottom perspective view thereof;  
FIG. 3 is a front elevation view thereof;  
FIG. 4 is a rear elevation view thereof;  
FIG. 5 is a left side elevation view thereof;  
FIG. 6 is a right side elevation view thereof;  
FIG. 7 is a top plan view thereof; and,  
FIG. 8 is a bottom plan view thereof.

**1 Claim, 8 Drawing Sheets**



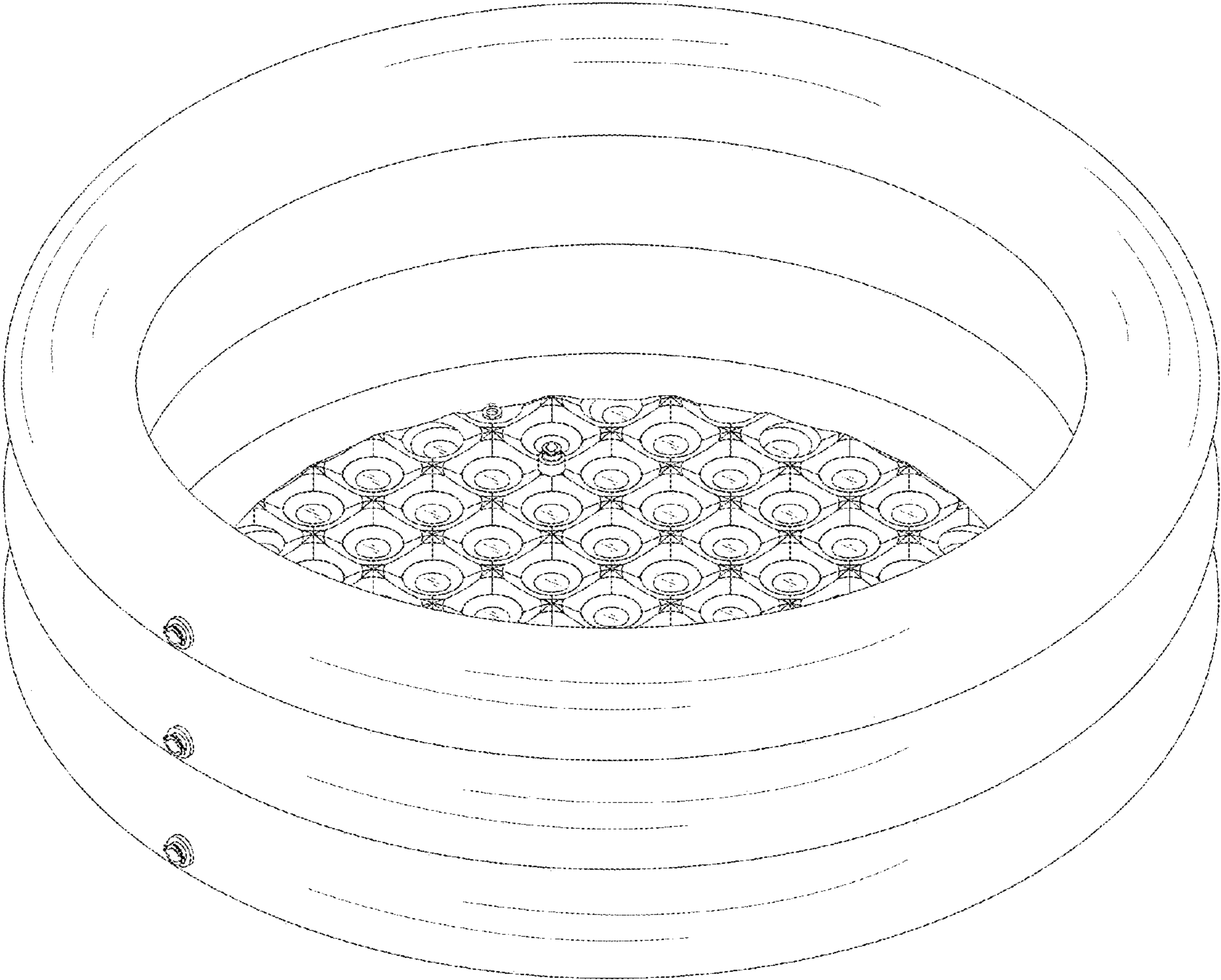


FIG. 1

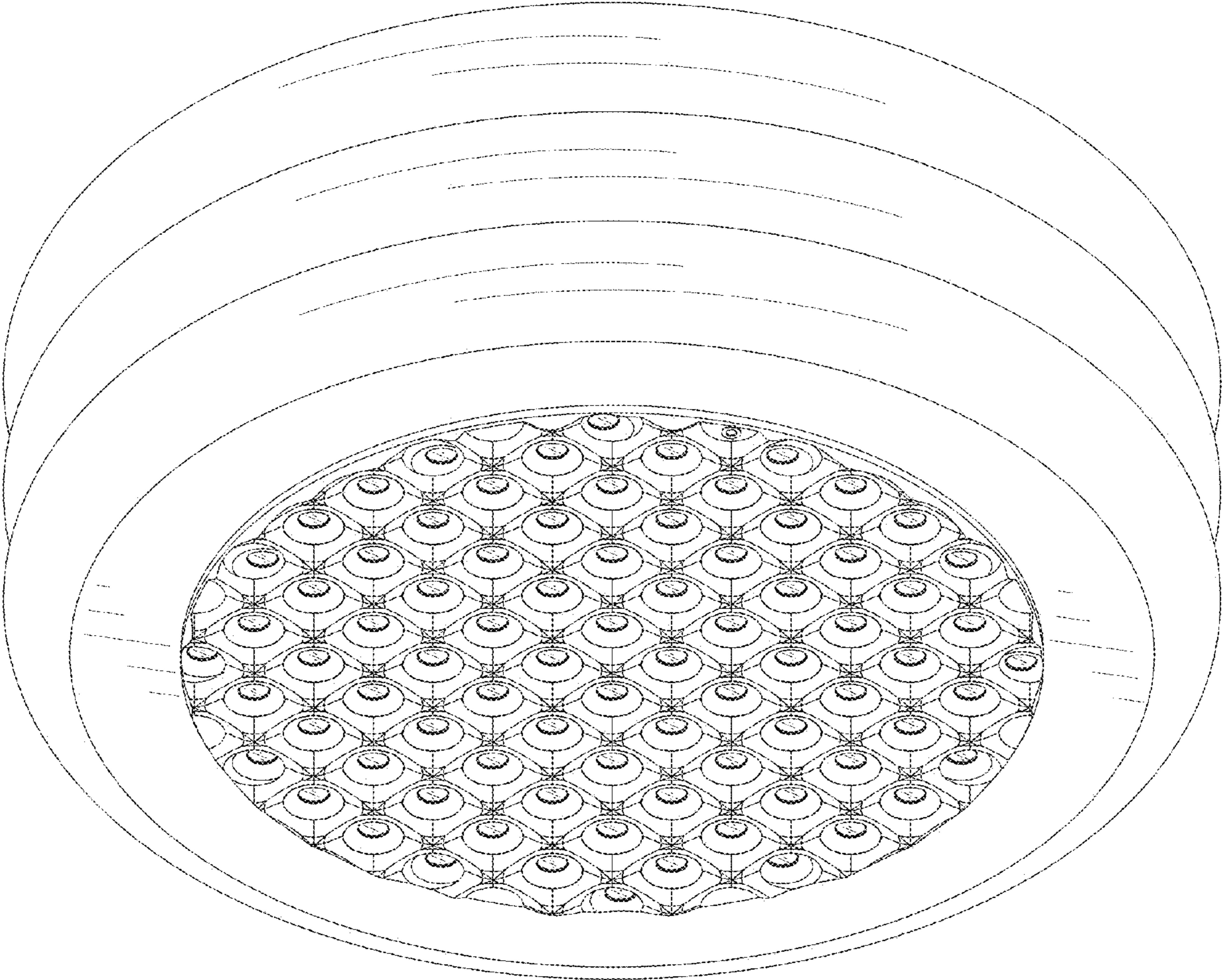


FIG. 2

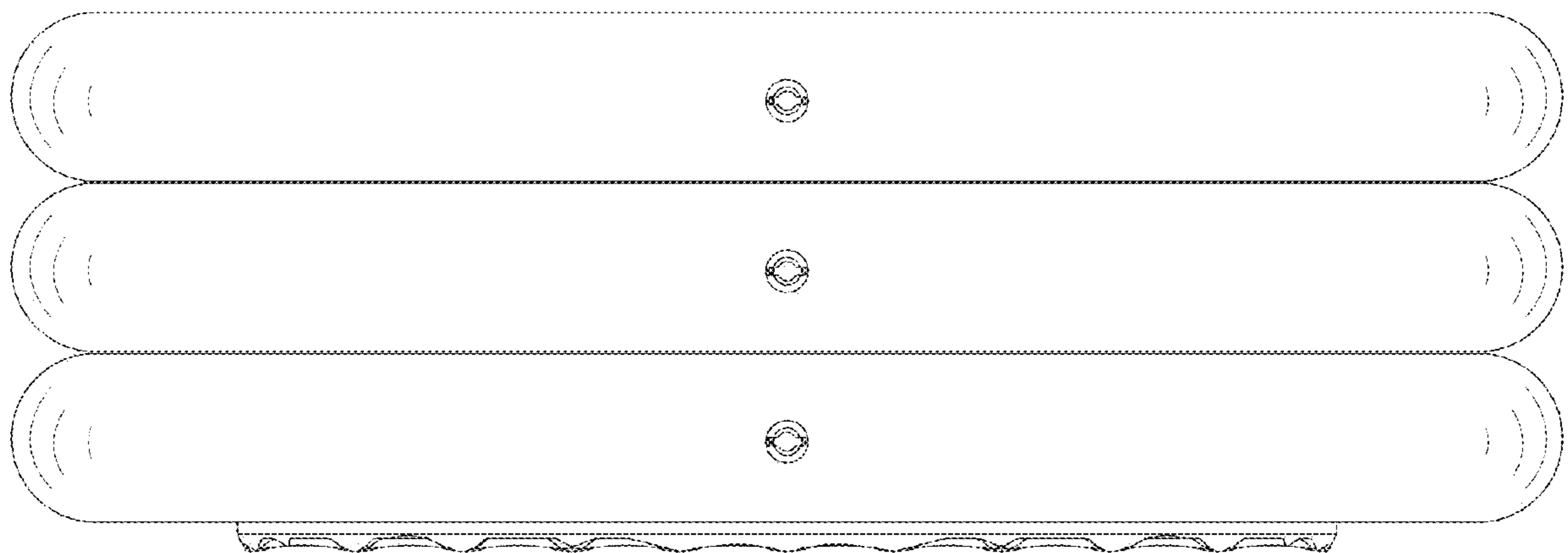


FIG. 3

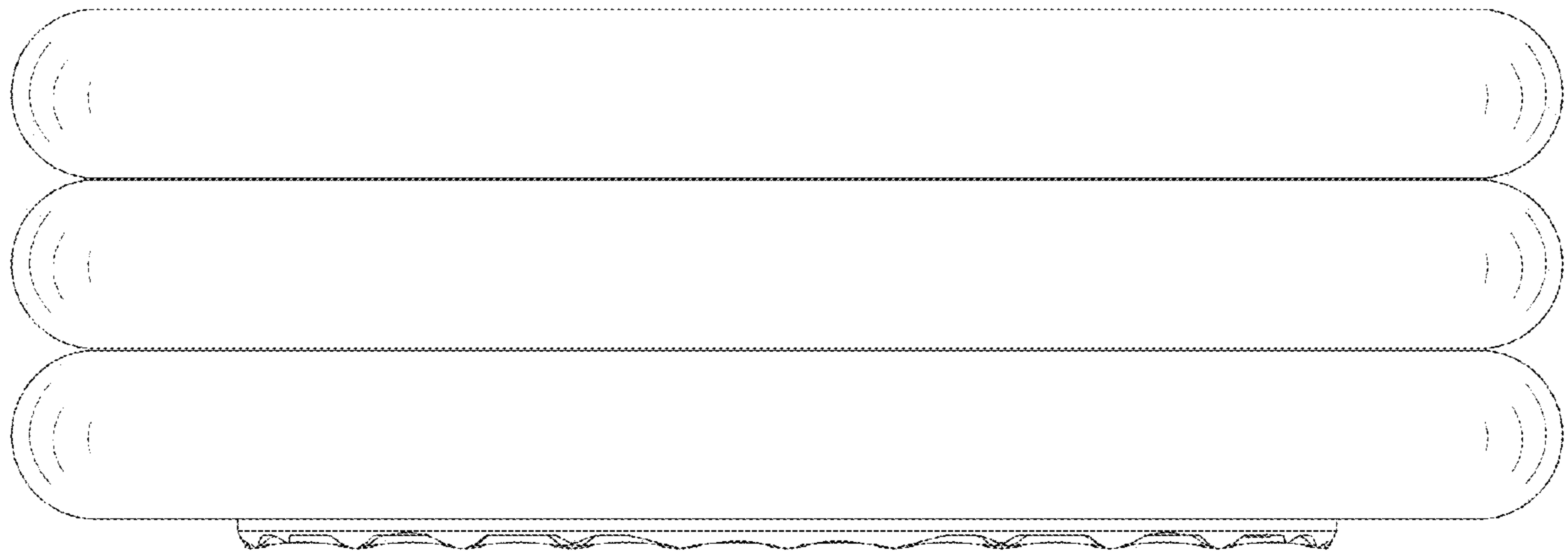


FIG. 4

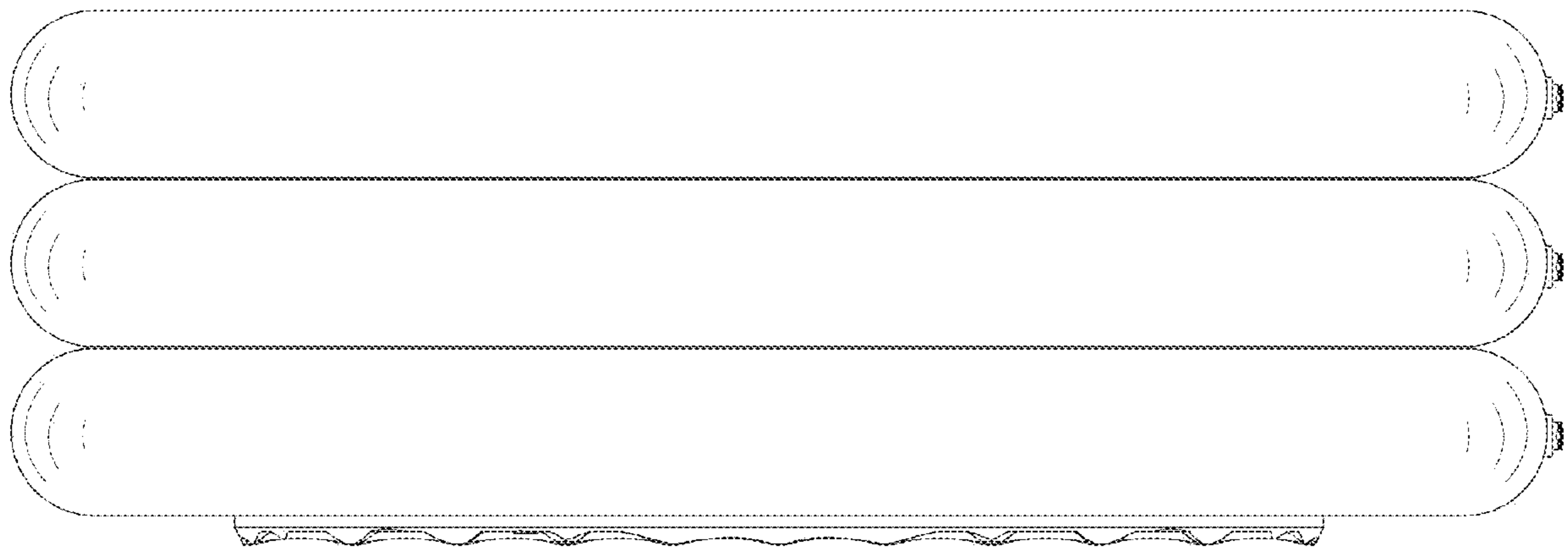


FIG. 5

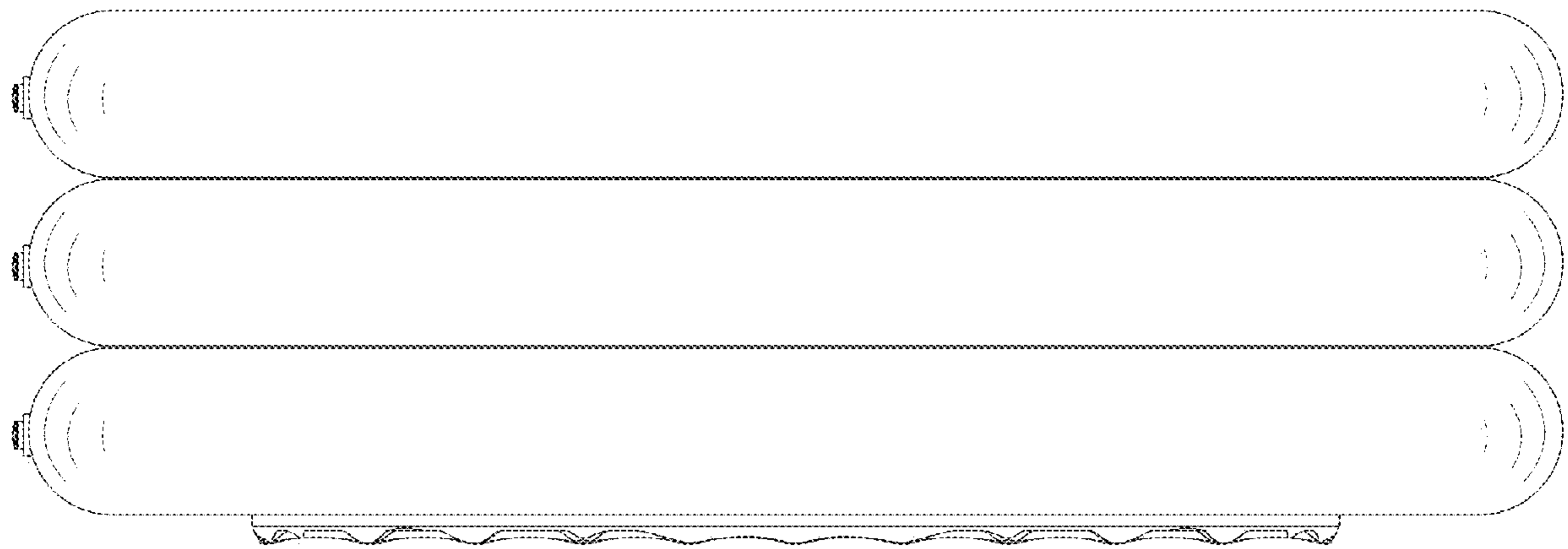


FIG. 6

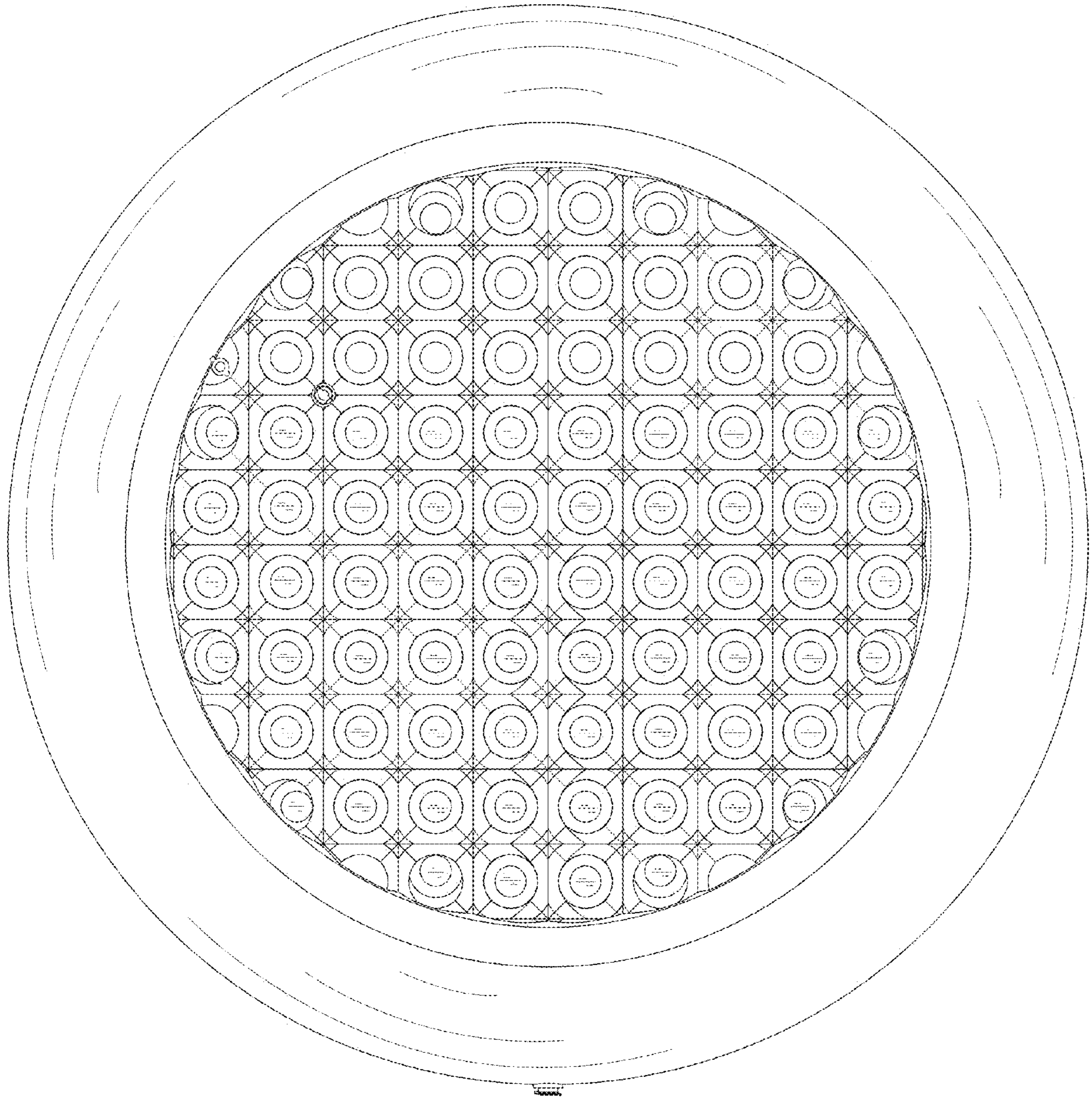


FIG. 7



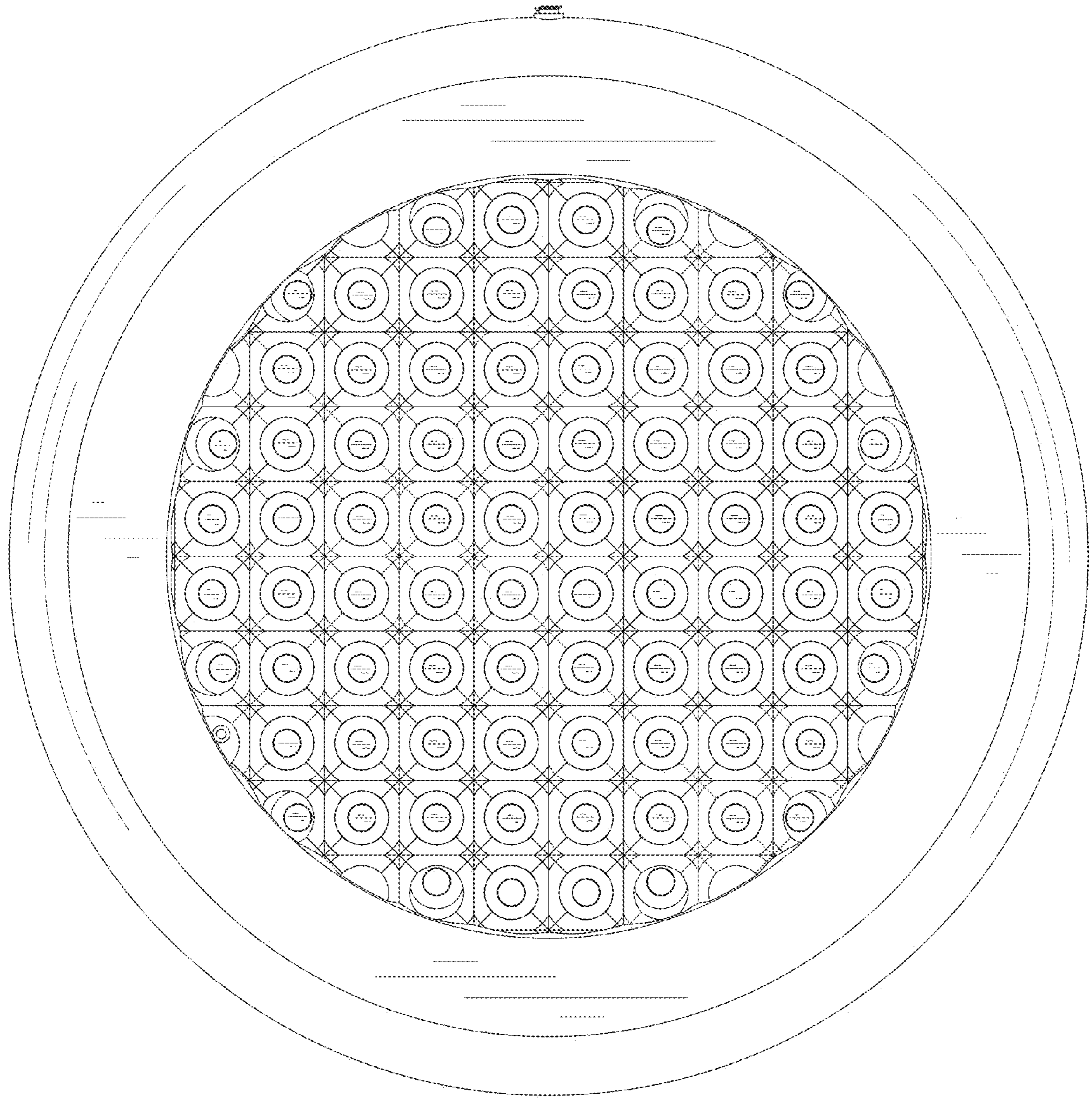


FIG. 8