

US00D967316S

(12) **United States Design Patent** (10) **Patent No.:** **US D967,316 S**
Srihari et al. (45) **Date of Patent:** **** Oct. 18, 2022**

(54) **TRAMPOLINE** D630,285 S * 1/2011 Hsiang D21/797
8,012,066 B1 9/2011 Hsiang
(71) Applicant: **Pure Global Brands, Inc.**, Mesquite, TX (US) 8,197,390 B2 6/2012 Ikegami
(Continued)

(72) Inventors: **Swastic Srihari**, Addison, TX (US);
Zorin Abraham, Sunnyvale, TX (US);
Kinsey Harris, West Palm Beach, FL (US) FOREIGN PATENT DOCUMENTS
KR 3020210010159 * 3/2021

(73) Assignee: **PURE GLOBAL BRANDS, INC.**, Mesquite, TX (US) OTHER PUBLICATIONS
Giantex, announced 2019[online], [site visited Mar. 17, 2022]. Available on internet, URL:https://www.amazon.com/Giantex-Trampoline-Enclosure-Outdoor-Supports/dp/B082NKQP9X/ref (Year: 2019).*

(**) Term: **15 Years** (Continued)

(21) Appl. No.: **29/804,542**
(22) Filed: **Aug. 20, 2021**
Primary Examiner — Khawaja Anwar
Assistant Examiner — Julice Seung Eun Oum
(74) *Attorney, Agent, or Firm* — Scott Griggs; Griggs Bergen LLP

Related U.S. Application Data

(63) Continuation-in-part of application No. 29/710,981, filed on Oct. 28, 2019, now abandoned.
(51) **LOC (13) Cl.** **21-02**
(52) **U.S. Cl.**
USPC **D21/797**
(58) **Field of Classification Search**
USPC D21/483, 576, 577, 584, 587, 630, 657, D21/801, 691, 692, 694, 796, 835, 803
See application file for complete search history.

References Cited

U.S. PATENT DOCUMENTS

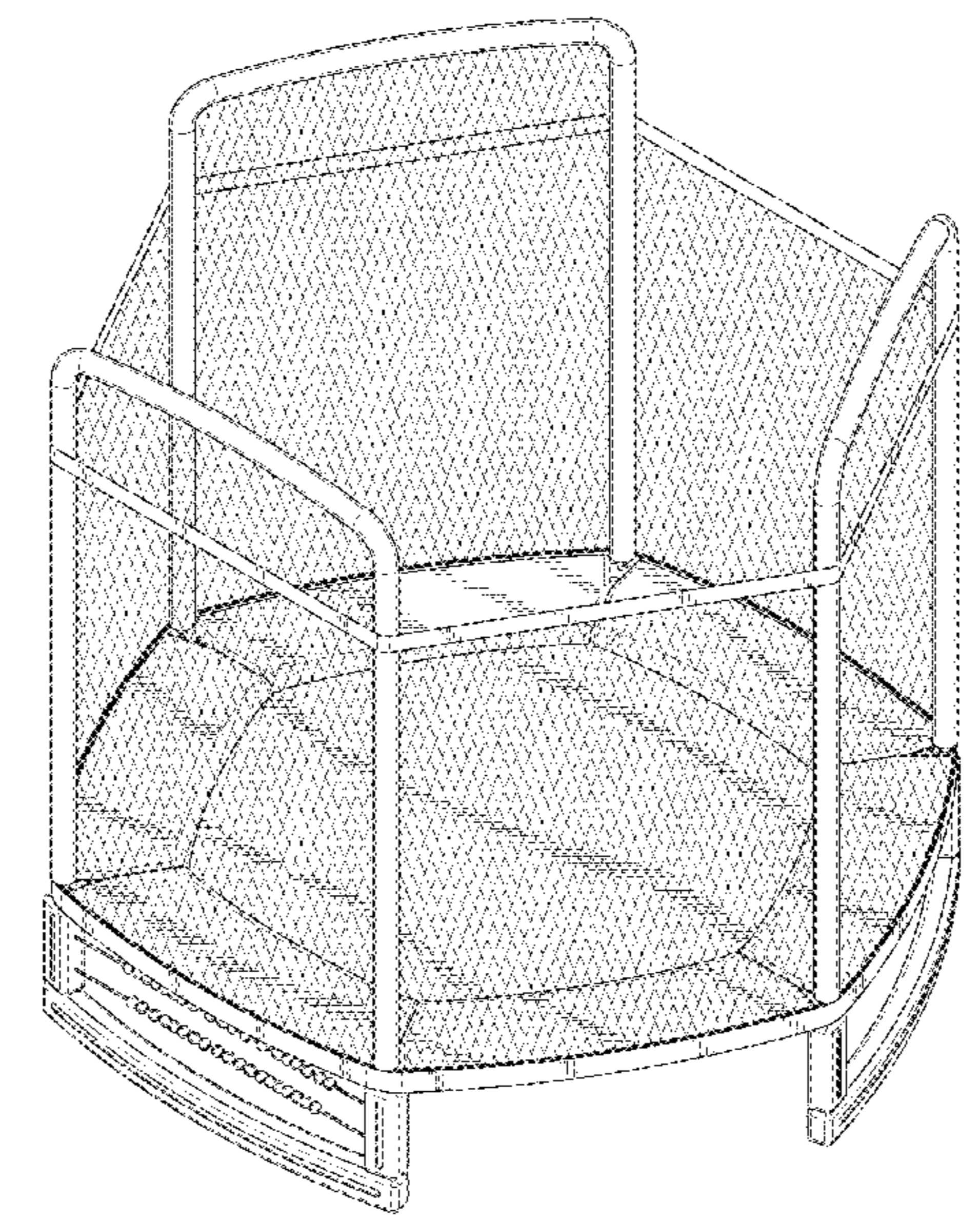
4,284,271 A 8/1981 Pettit et al.
4,339,123 A 7/1982 Rich
D270,557 S * 9/1983 Williams D21/797
D563,299 S 3/2008 Mizuhata et al.
7,354,381 B2 * 4/2008 Greiner A63B 71/022 482/29
D570,947 S * 6/2008 Horne D21/797
7,611,443 B2 11/2009 Publicover

(57) **CLAIM**
The ornamental design for a trampoline, as shown and described.

DESCRIPTION

FIG. 1 is a front perspective view of a trampoline; FIG. 2 is a front elevation view of the trampoline as shown in FIG. 1; FIG. 3 is a rear elevation view of the trampoline as shown in FIG. 1; FIG. 4 is a left-side elevation view of the trampoline as shown in FIG. 1; FIG. 5 is a right-side elevation view of the trampoline as shown in FIG. 1; FIG. 6 is a top plan view of the trampoline as shown in FIG. 1; and, FIG. 7 is a bottom plan view of the trampoline as shown in FIG. 1.

1 Claim, 7 Drawing Sheets



(56)

References Cited

U.S. PATENT DOCUMENTS

8,328,695 B2 12/2012 Ronan et al.
 8,430,795 B2 4/2013 Publicover et al.
 8,920,290 B2* 12/2014 Stokes A63B 5/11
 482/27
 9,084,908 B1 7/2015 Chen
 9,399,152 B2 7/2016 Yang
 9,512,631 B2 12/2016 Andon
 D785,117 S * 4/2017 Chen D21/797
 D794,151 S 8/2017 Ji
 D796,614 S 9/2017 Chen
 D805,595 S * 12/2017 Chen D21/797
 D822,781 S * 7/2018 Chen D21/797
 10,029,767 B2* 7/2018 de Grasse B63B 34/52
 10,076,697 B1 9/2018 Publicover et al.
 D844,730 S * 4/2019 Fischer D21/797
 D853,507 S * 7/2019 Hammer D21/797
 D910,136 S * 2/2021 Ye D21/797

D918,326 S * 5/2021 Andon D21/797
 D919,027 S * 5/2021 Ye D21/797
 D942,558 S * 2/2022 Zhu D21/672
 2005/0043142 A1 2/2005 Rieber
 2012/0252634 A1 10/2012 Ikegami
 2016/0045775 A1 2/2016 Zhou
 2017/0216648 A1 8/2017 Male
 2018/0236343 A1 8/2018 Chen

OTHER PUBLICATIONS

Fashion sport outfitters, 2018[online], [site visited Mar. 17, 2022]. Available on internet, URL:<https://www.amazon.com/Fashionsport-OUTFITTERS-Trampoline-Enclosure-Kids-Yellow/dp/B07G412SPK/> ref (Year: 2018).*

Clevr, announced 2018[online], [site visited Mar. 17, 2022]. Available on internet, URL:<https://www.amazon.com/Clevr-Trampoline-Enclosure-Outdoor-Birthday/dp/B01N5IH3MS/ref> (Year: 2018).*

* cited by examiner

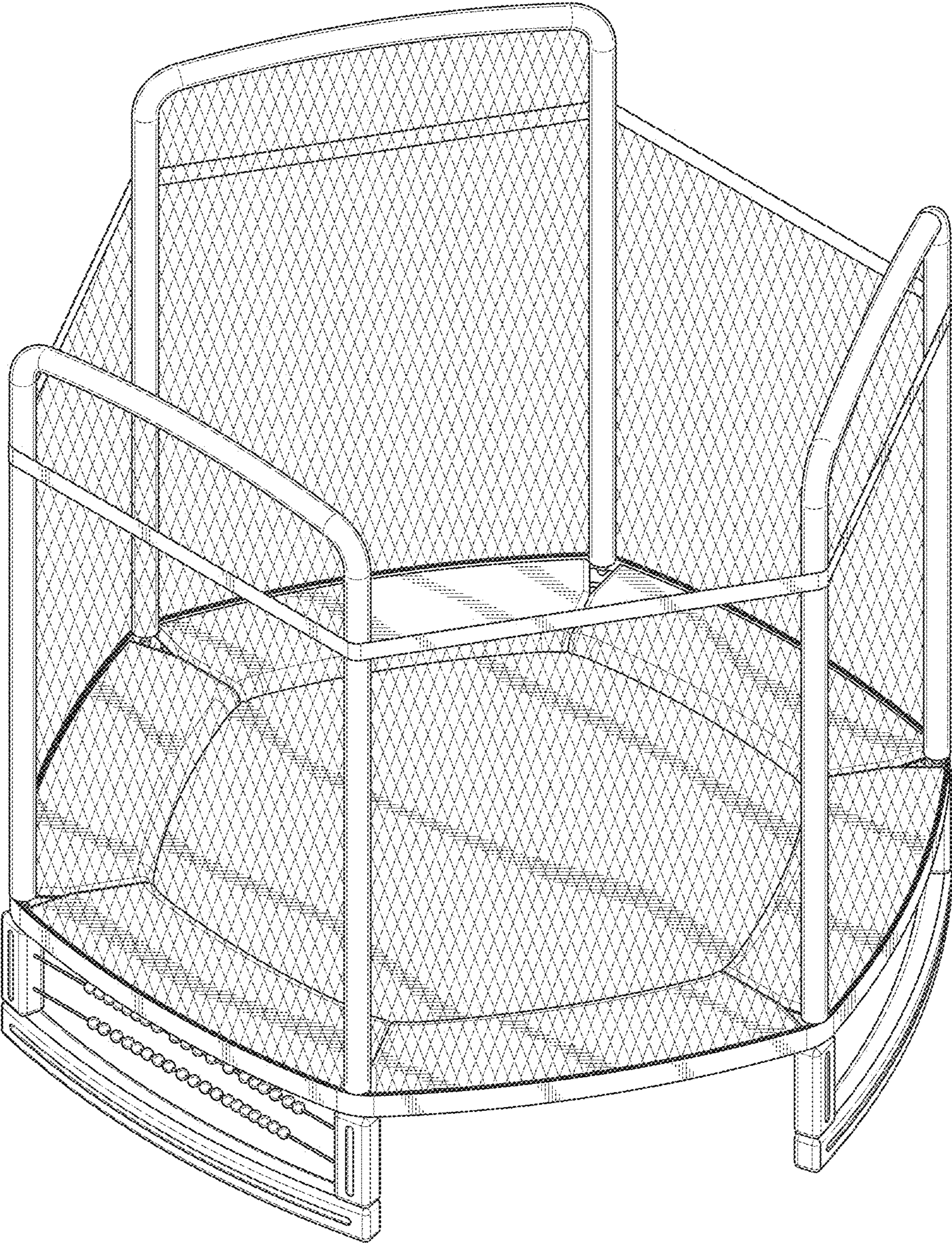


FIG. 1

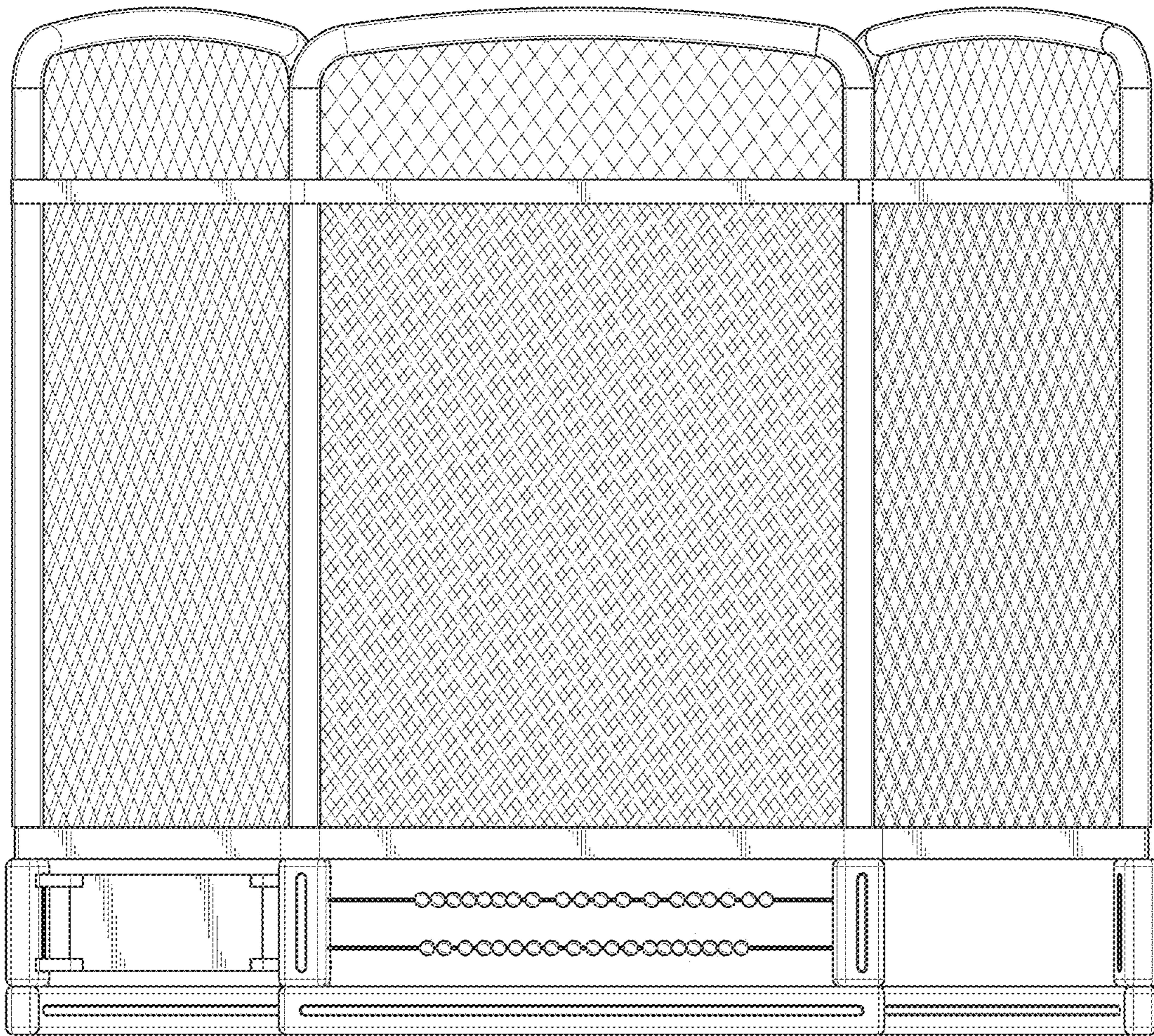


FIG. 2

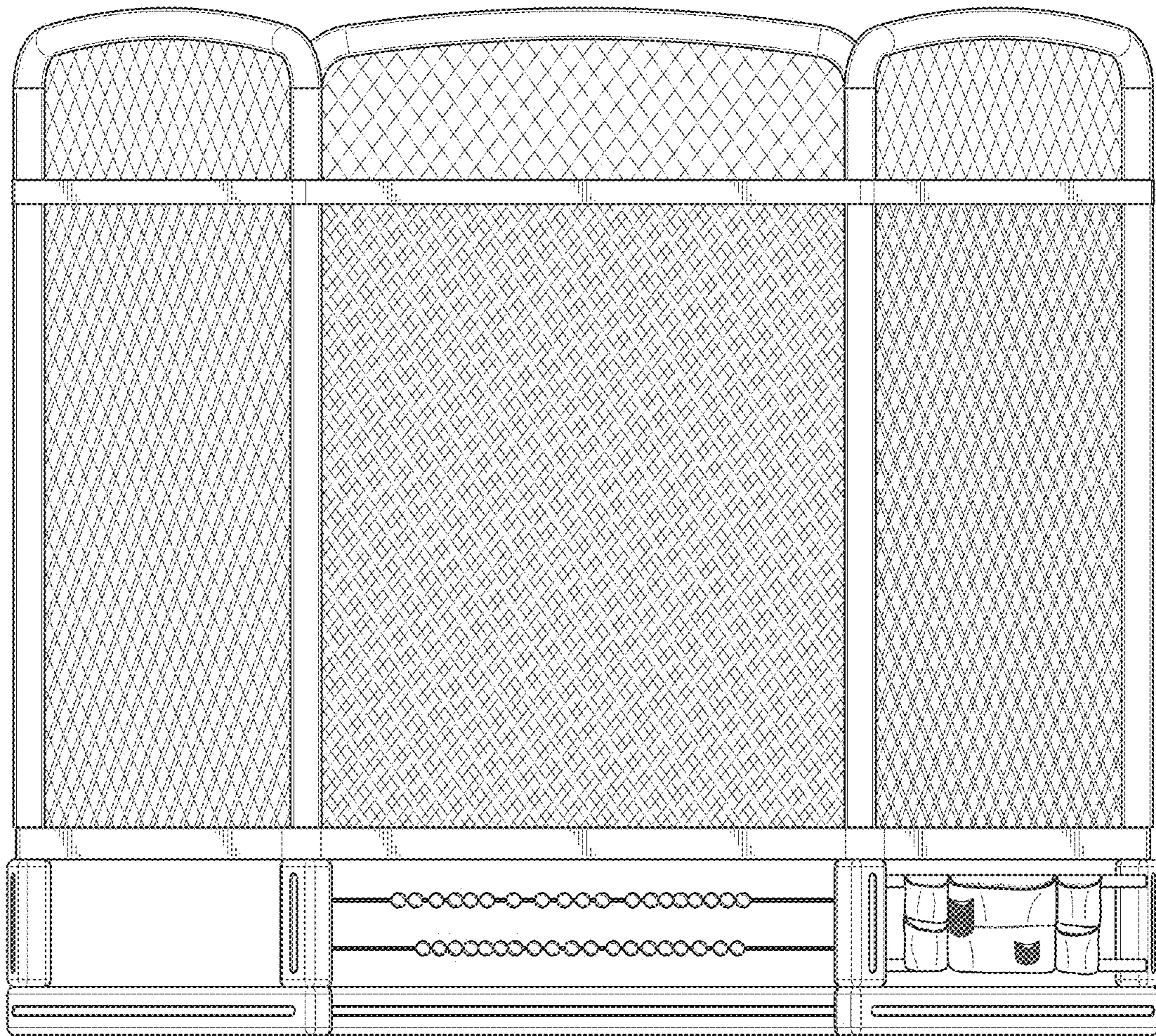


FIG. 3

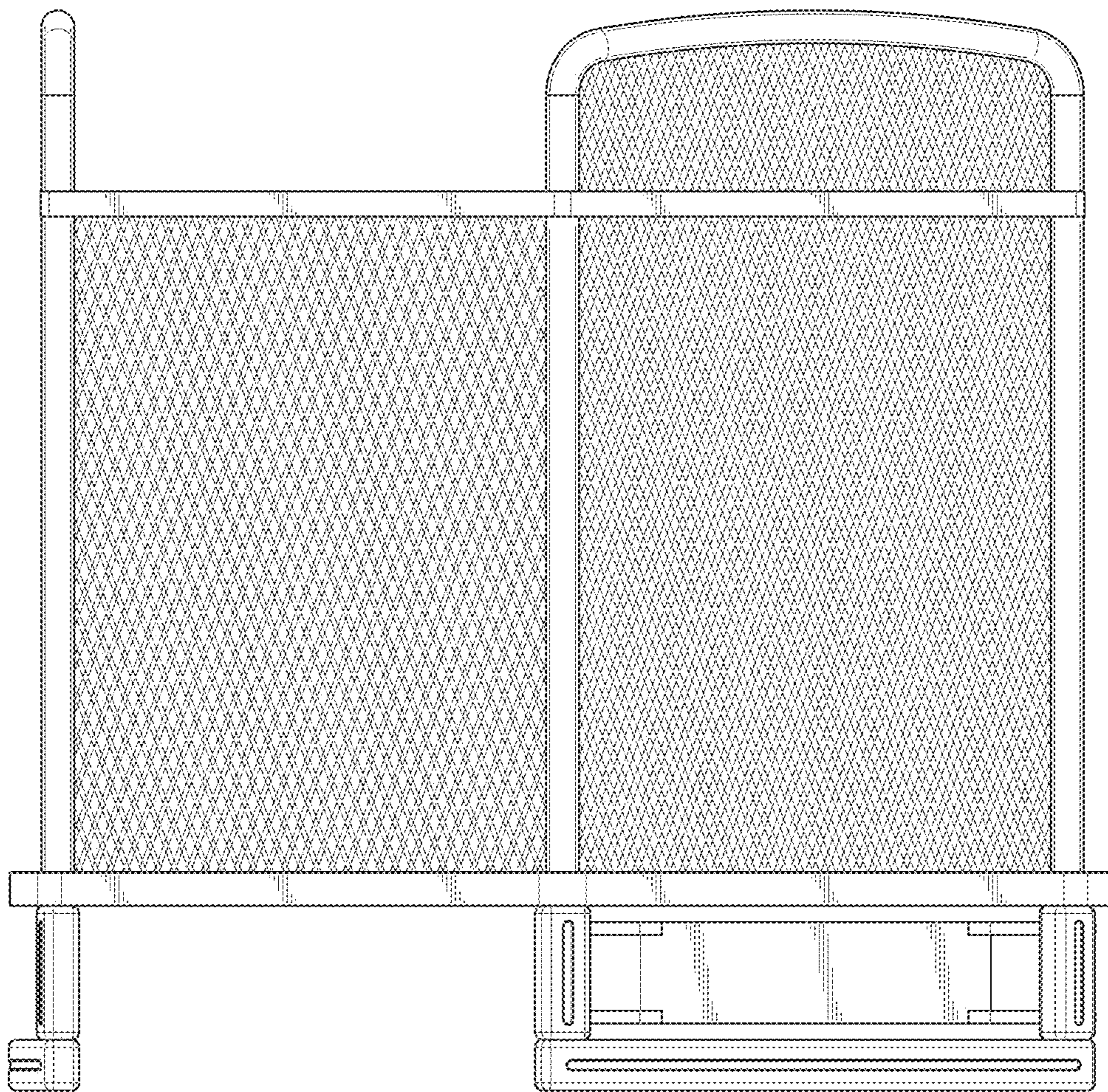


FIG. 4

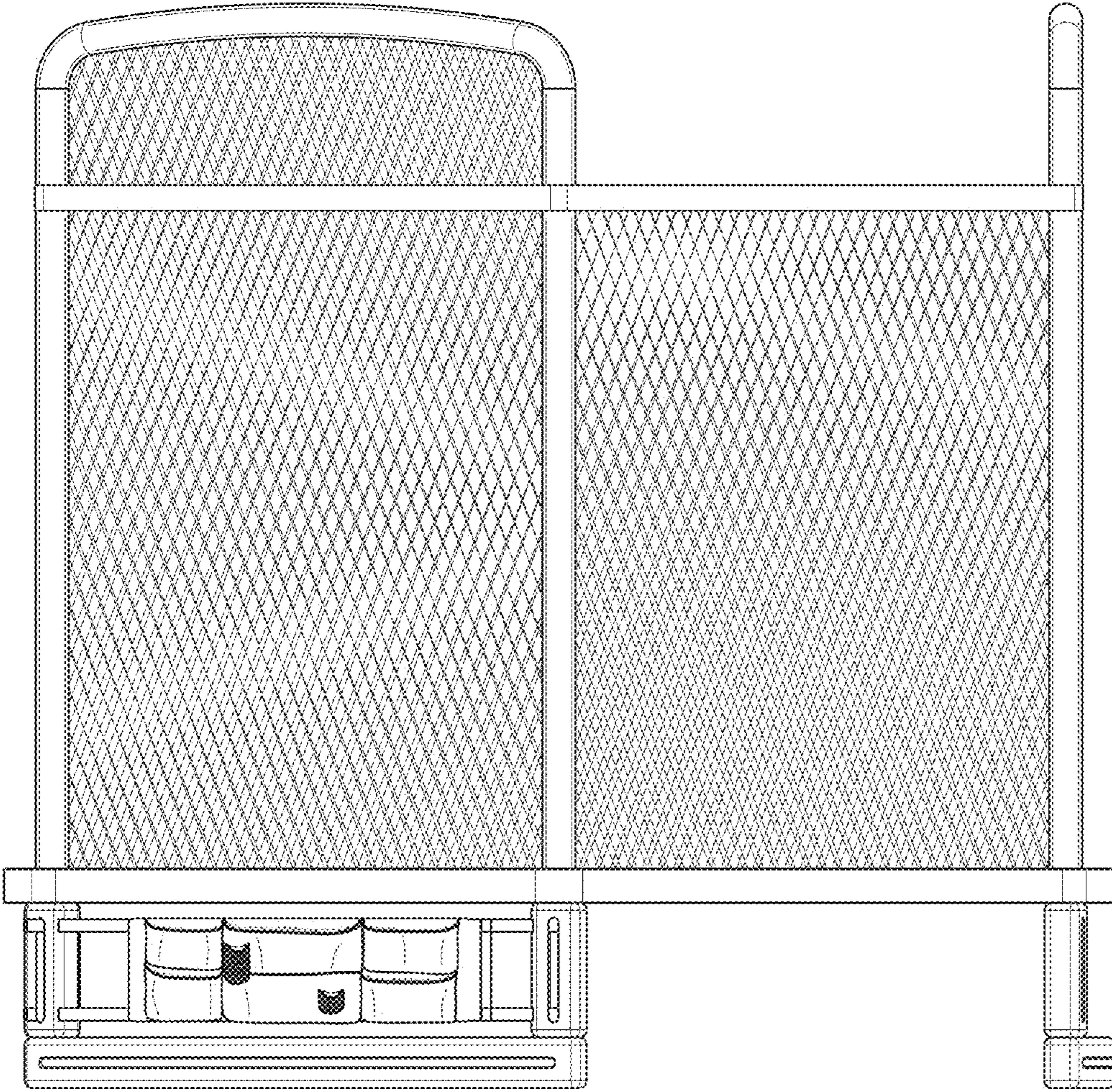


FIG. 5

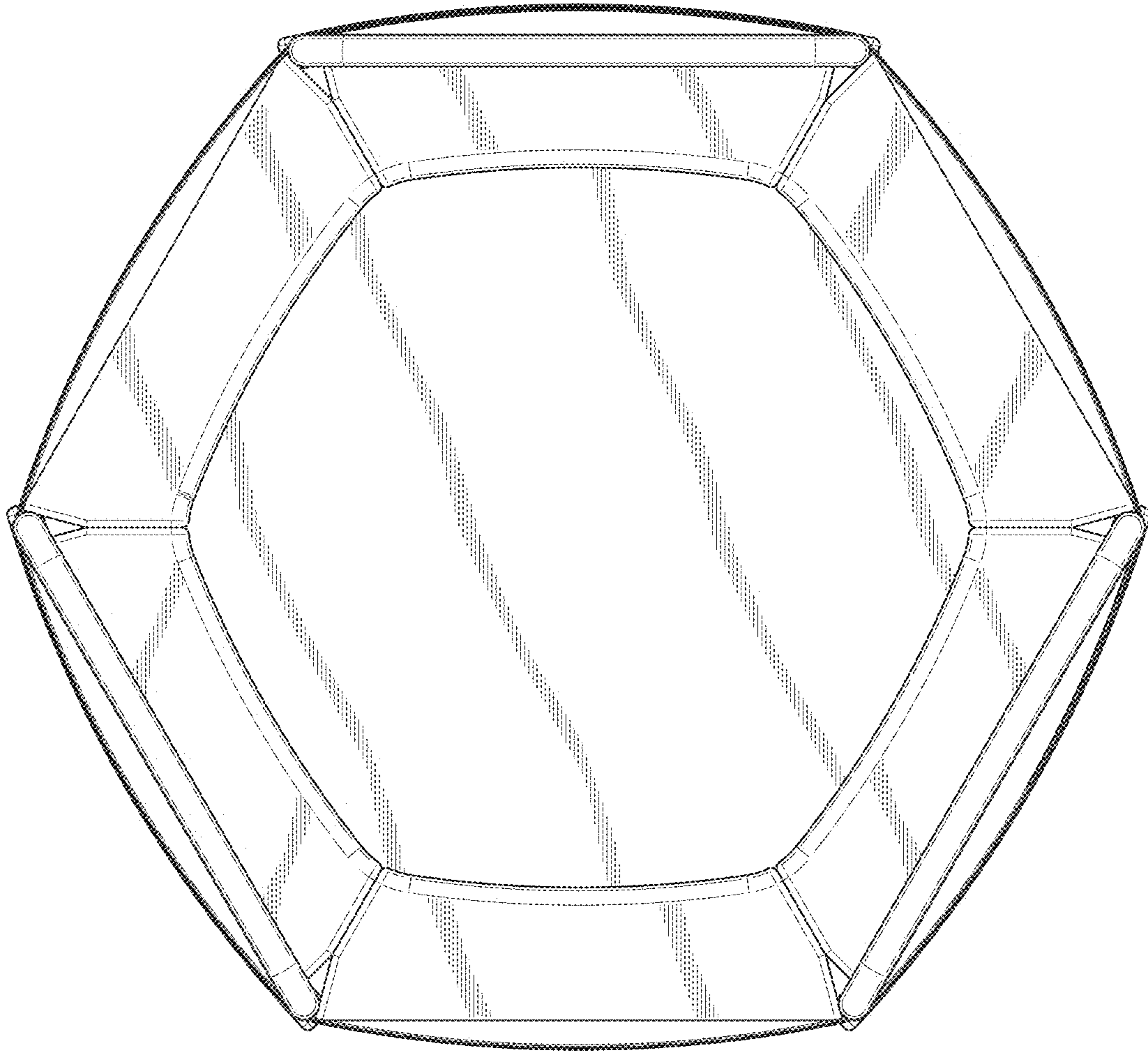


FIG. 6

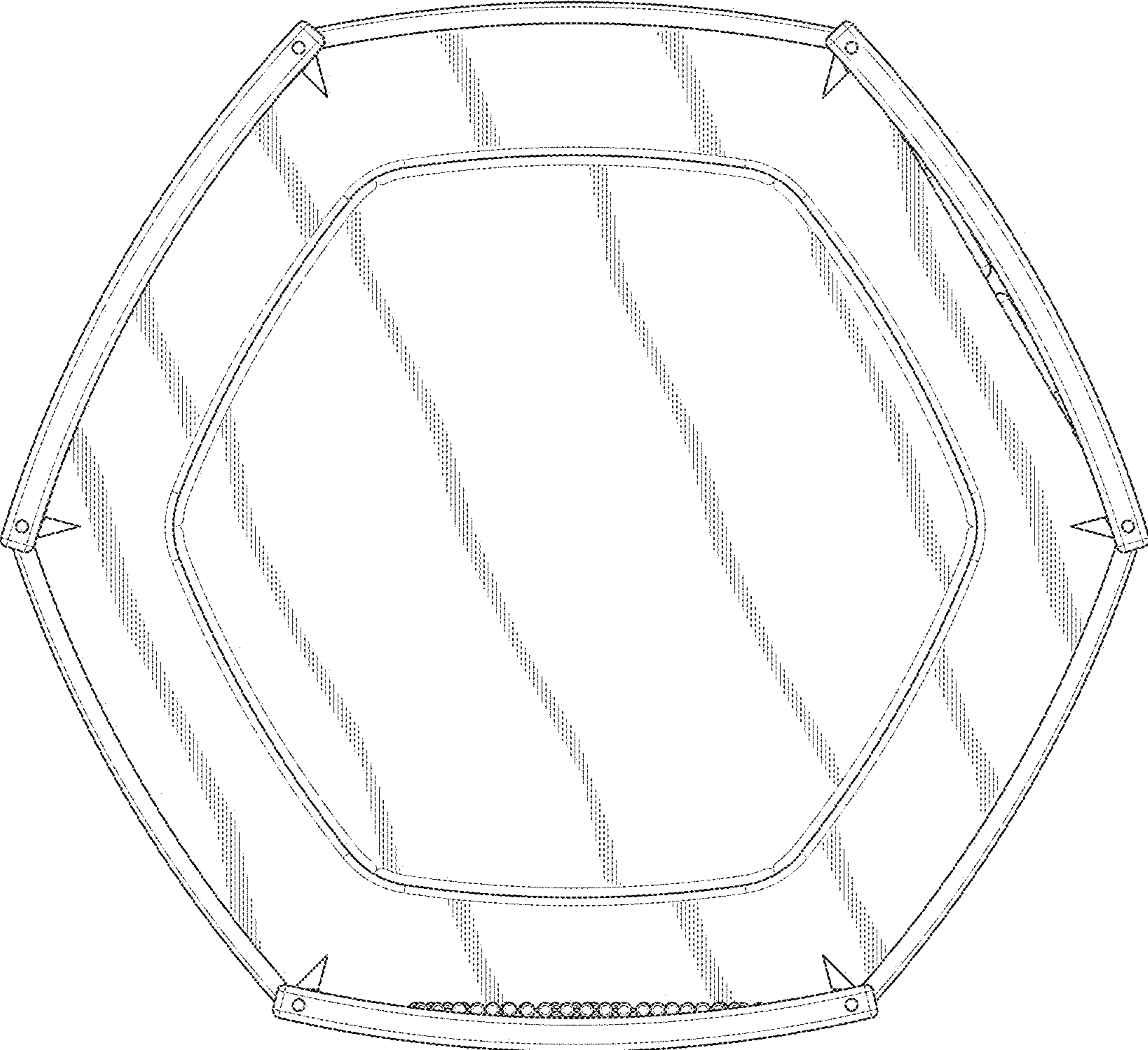


FIG. 7