



US00D967315S

(12) **United States Design Patent**
Chen

(10) **Patent No.:** **US D967,315 S**
(45) **Date of Patent:** **** Oct. 18, 2022**

(54) **GOLF PUTTING MAT**

(71) Applicant: **Haiying Chen**, Dongguan (CN)

(72) Inventor: **Haiying Chen**, Dongguan (CN)

(**) Term: **15 Years**

(21) Appl. No.: **29/791,392**

(22) Filed: **Jan. 10, 2022**

(51) **LOC (13) Cl.** **21-02**

(52) **U.S. Cl.**
USPC **D21/792**

(58) **Field of Classification Search**
USPC D21/686, 792, 671, 791, 789
See application file for complete search history.

(56) **References Cited**

U.S. PATENT DOCUMENTS

5,595,543	A *	1/1997	Wolk	A63B 67/02 473/162
D407,458	S	3/1999	Soonlan		
D431,855	S *	10/2000	Rose	D21/791
6,716,113	B1 *	4/2004	Manning	A63B 69/36211 473/166
8,864,596	B1 *	10/2014	Maranian, Jr.	A63B 67/02 473/162
D732,623	S *	6/2015	Kulikowski	D21/303
D740,383	S *	10/2015	Shadle	D21/791
D760,337	S *	6/2016	Holland	D21/791
2014/0329611	A1 *	11/2014	Sanders	A63B 67/02 473/160
2020/0129833	A1 *	4/2020	Cooper	A63B 69/3676

OTHER PUBLICATIONS

Sklz, announced 2015 [online], [site visited Aug. 4, 2022]. Available on the internet, URL:https://www.amazon.com/SKLZ-Accelerator-Pro-Indoor-Putting/dp/B013BYCKDQ/ref (Year: 2015).*

Club champ, announced 2006 [online], [site visited Aug. 4, 2022]. Available on the internet, URL:https://www.amazon.com/Club-Champ-Automatic-Putting-System/dp/B000KGDYQG/ref (Year: 2006).*

Maxfli, announced 2018 [online], [site visited Aug. 4, 2022]. Available on the internet, URL:https://www.amazon.com/Maxfli-Indoor-Putting-Green-Practice/dp/B07KNZ9WDJ/ref (Year: 2018).*
Perfect practice store, announced 2020 [online], [site visited Aug. 4, 2022]. Available on the internet, URL:https://www.amazon.com/Golf-putting-green-mat-indoor/dp/B08FVFX791/ref (Year: 2020).*

* cited by examiner

Primary Examiner — Khawaja Anwar
Assistant Examiner — Julice Seung Eun Oum

(57) **CLAIM**

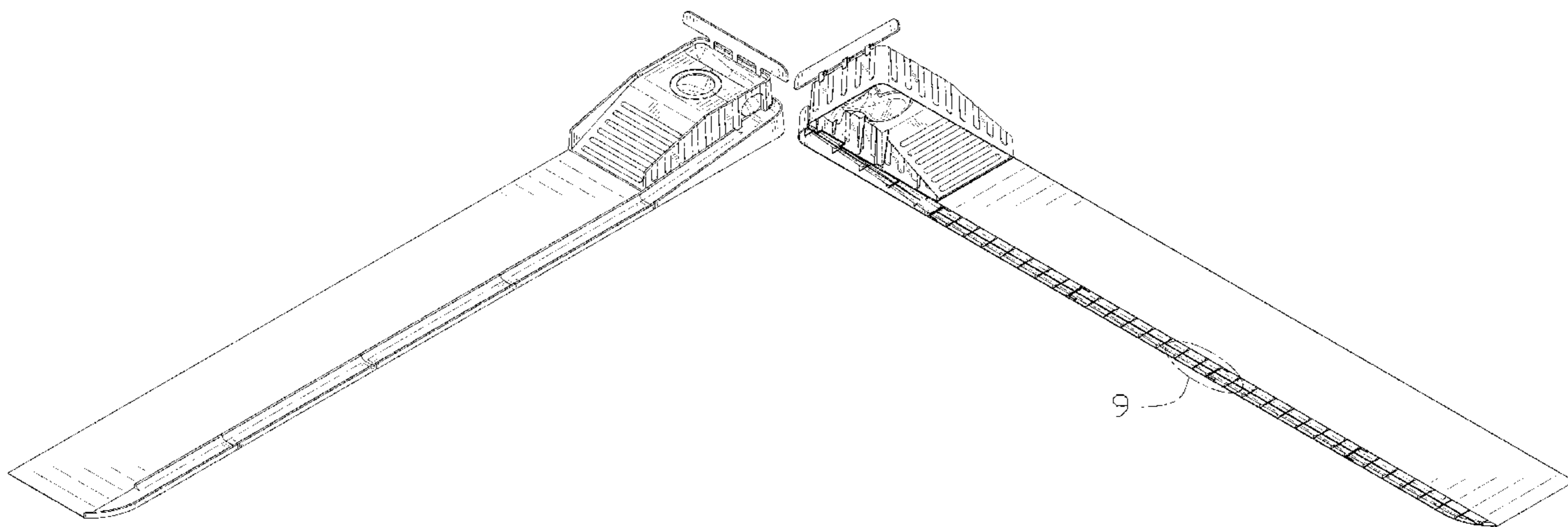
The ornamental design for a golf putting mat, as shown and described.

DESCRIPTION

FIG. 1 is a front and top perspective view of a golf putting mat, showing my new design;
FIG. 2 is a rear and bottom perspective view thereof;
FIG. 3 is a front elevation view thereof;
FIG. 4 is a rear elevation view thereof;
FIG. 5 is a left side elevation view thereof;
FIG. 6 is a right side elevation view thereof;
FIG. 7 is a top plan view thereof;
FIG. 8 is a bottom plan view thereof; and,
FIG. 9 is an enlarged view of a portion indicated with numeric 9 in FIG. 2.

The broken lines in the figures illustrate portions of the golf putting mat that form no part of the claimed design. The dash dot dash lines in FIGS. 2 and 9 are for the purpose of depicting the boundary lines of the enlarged view and form no part of the claimed design.

1 Claim, 9 Drawing Sheets



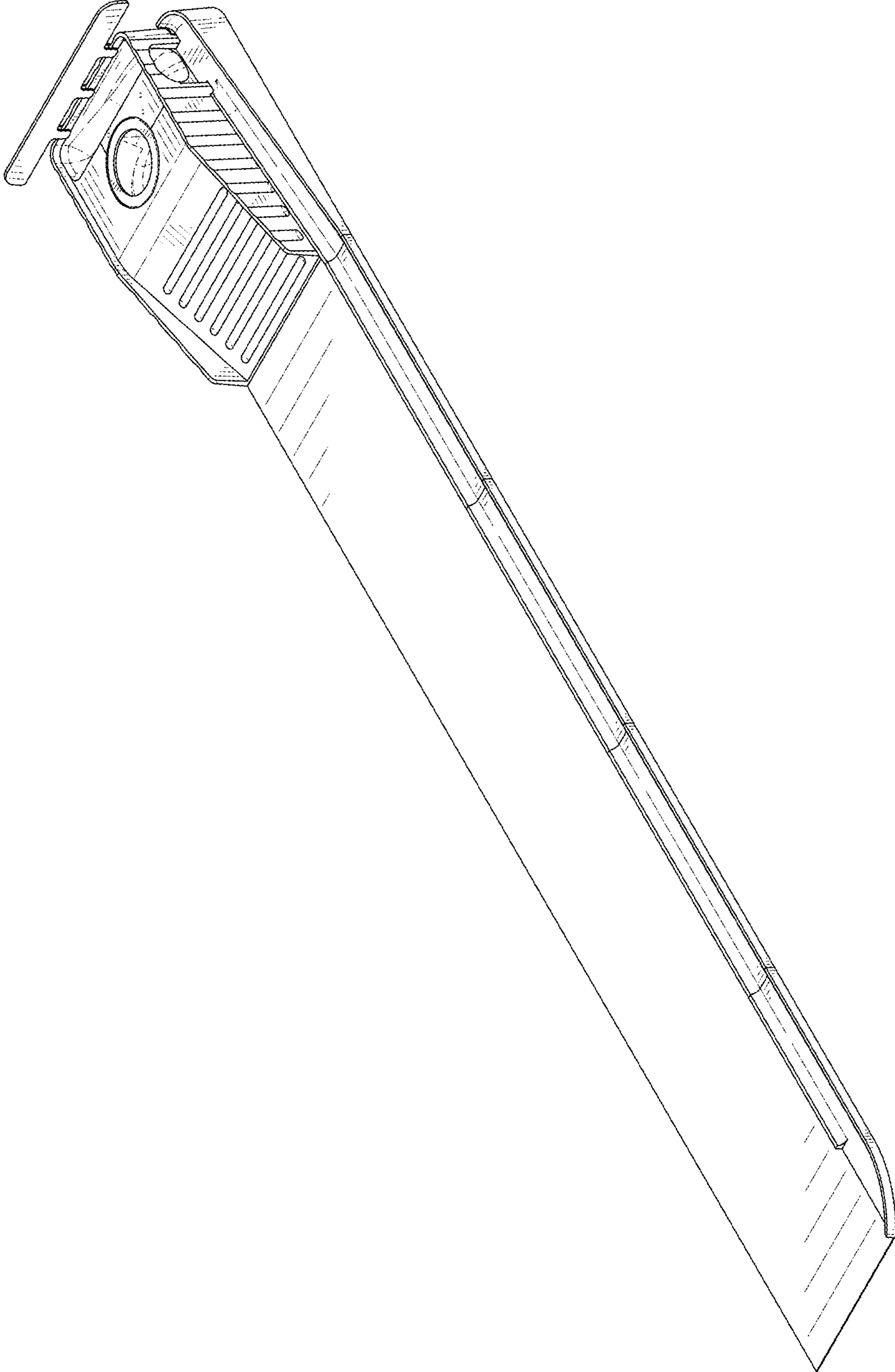


FIG. 1

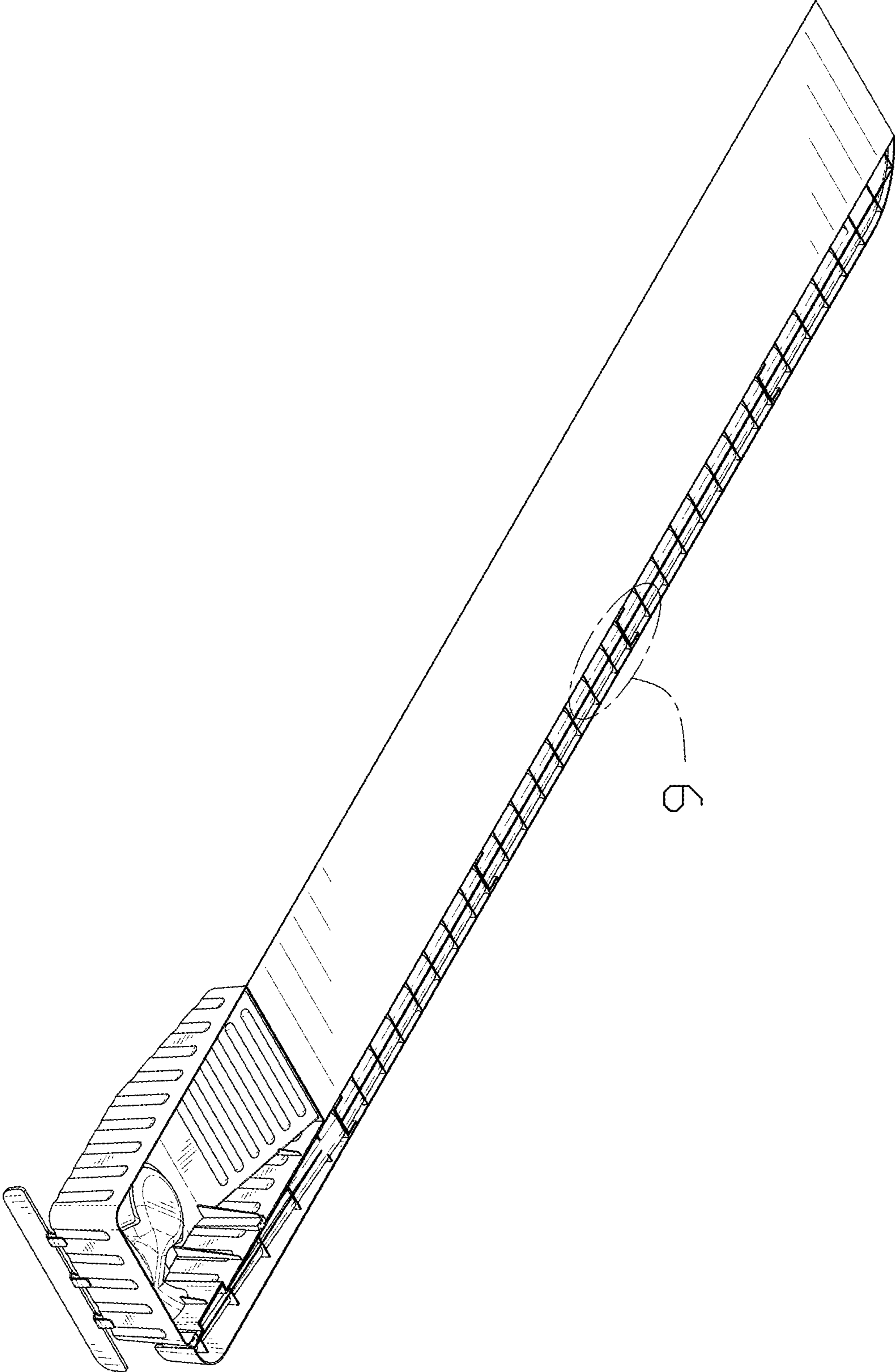


FIG. 2

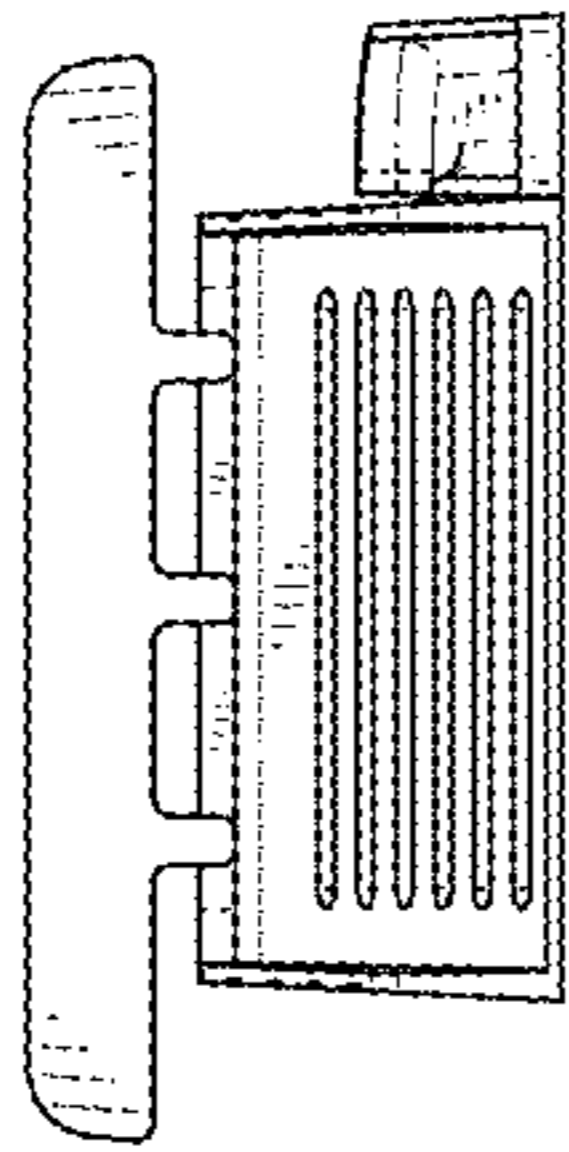


FIG. 3

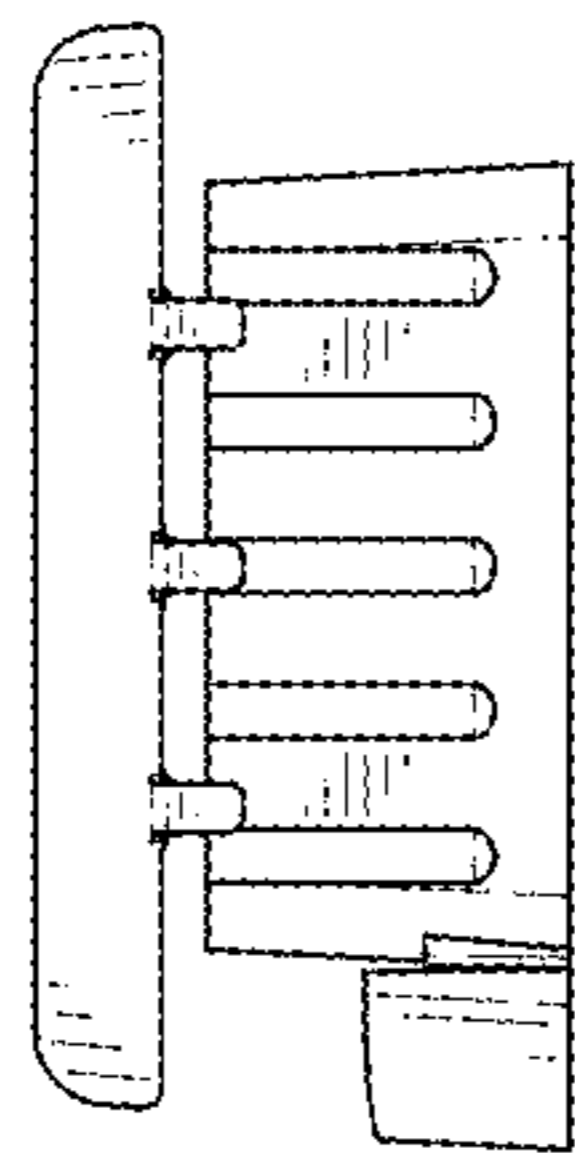


FIG. 4

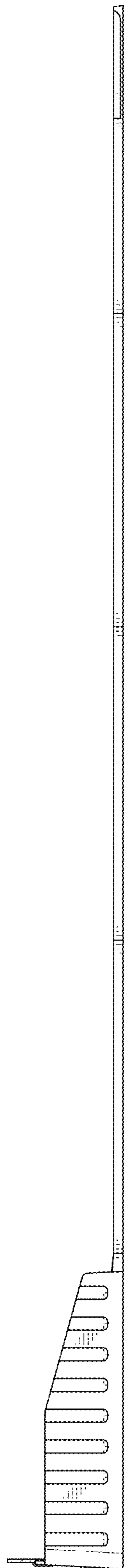


FIG. 5

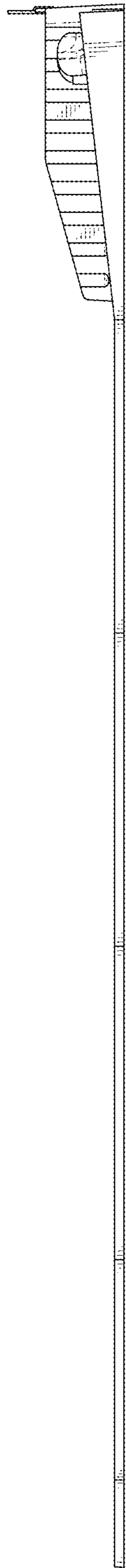


FIG. 6

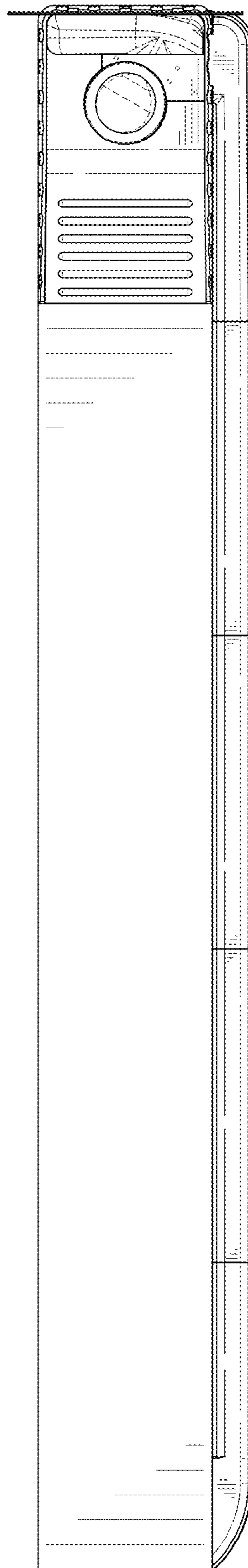


FIG. 7

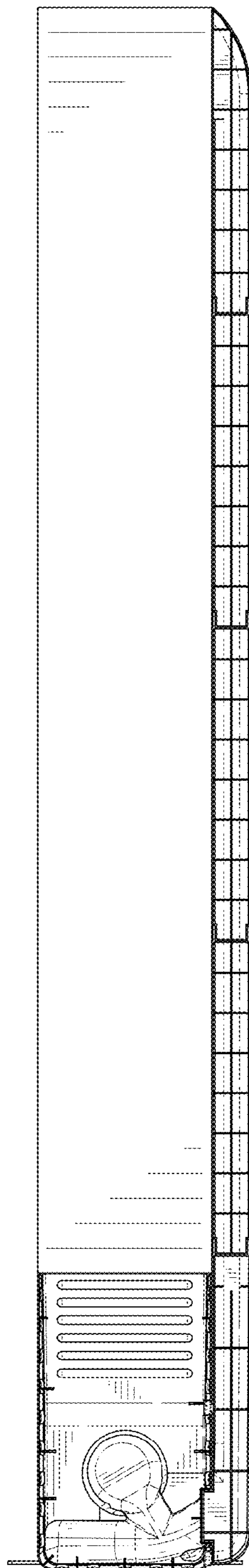


FIG. 8

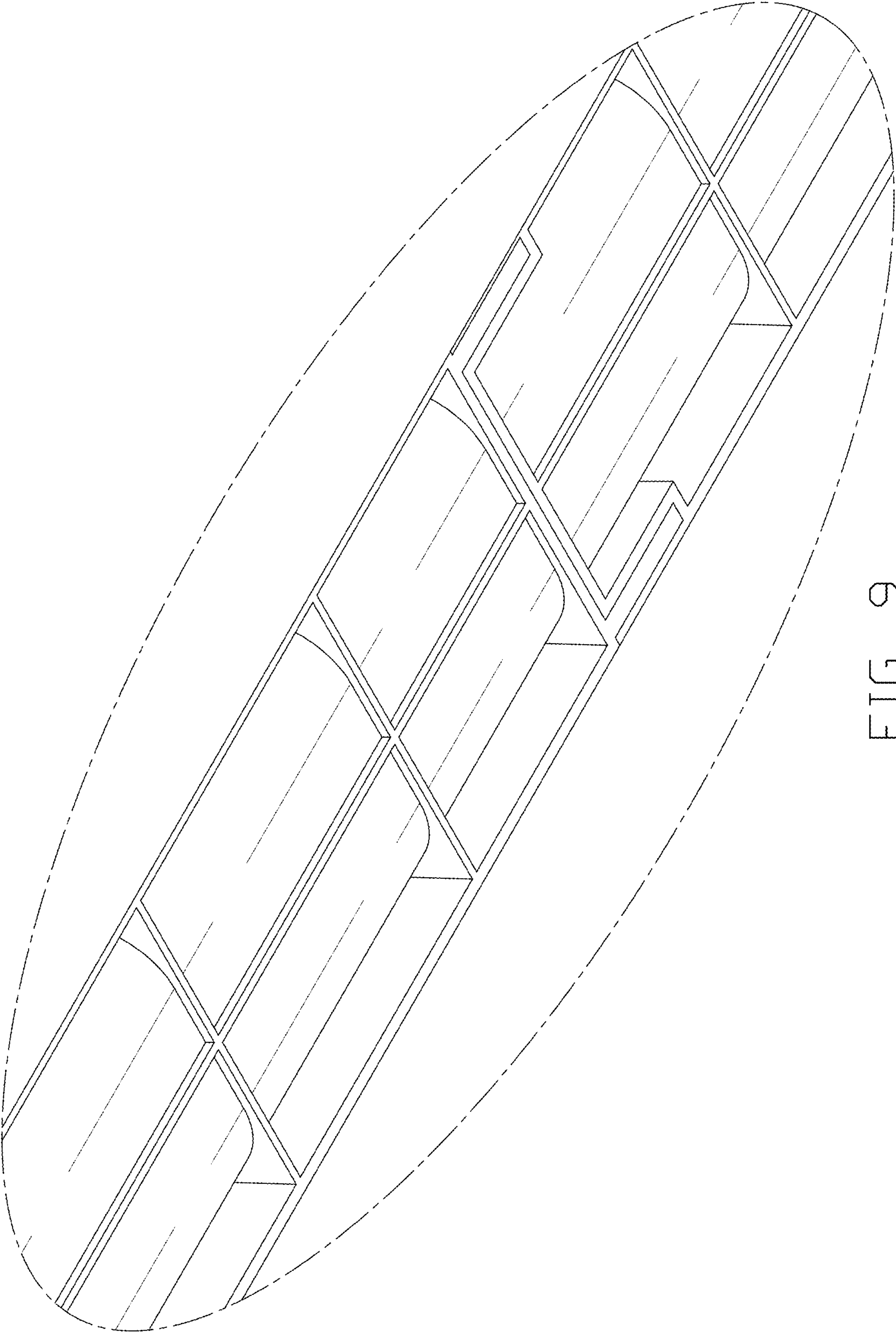


FIG. 9