



US00D967314S

(12) **United States Design Patent** (10) **Patent No.:** **US D967,314 S**
Williams (45) **Date of Patent:** **** *Oct. 18, 2022**

(54) **BASKETBALL RIM BALL BLOCKER**
(71) Applicant: **James Edward Williams**, Greensboro, NC (US)
(72) Inventor: **James Edward Williams**, Greensboro, NC (US)
(*) Notice: This patent is subject to a terminal disclaimer.
(**) Term: **15 Years**
(21) Appl. No.: **29/666,214**
(22) Filed: **Oct. 10, 2018**
(51) **LOC (13) Cl.** **21-02**
(52) **U.S. Cl.**
USPC **D21/781**
(58) **Field of Classification Search**
USPC D21/701, 781; D8/330-346; 701/14, 57, 701/158, 166, 167, 169; 473/479, 485; 224/434; 206/6.1, 807
CPC A63B 63/083; A63B 69/0071; E02D 5/80; E02D 5/801; E04G 21/00
See application file for complete search history.

5,730,667 A * 3/1998 Jones A63B 63/083 473/447
5,816,948 A * 10/1998 Davies, Jr. A63B 63/083 473/485
5,881,583 A * 3/1999 Booker A63B 63/083 473/485
D469,333 S * 1/2003 Staples D8/339
D494,041 S * 8/2004 Vito D8/343
D496,579 S * 9/2004 Pfeiffer D8/331
D535,715 S * 1/2007 Coryatt D21/701
D545,391 S * 6/2007 Coryatt D21/701
D549,553 S * 8/2007 Weedon D8/343
D583,217 S * 12/2008 Voight D8/343
D608,617 S * 1/2010 Junior D8/331
D618,083 S * 6/2010 Hansen D8/331
D637,473 S * 5/2011 Mitchell D8/336
D665,041 S * 8/2012 Tolis D21/781
D696,927 S * 1/2014 Wyers B60R 25/093 D8/336
D701,105 S * 3/2014 Stevens D8/333
D702,102 S * 4/2014 Stevens D8/333
10,000,904 B2 * 6/2018 Hurley E02D 5/80

(Continued)

Primary Examiner — Mehri F Bajoul
(74) Attorney, Agent, or Firm — Carissa A. Graves

(57) **CLAIM**

The ornamental design for a basketball rim ball blocker, as shown and described.

DESCRIPTION

FIG. 1 is a front elevational view of a basketball rim ball blocker showing my new design;
FIG. 2 is a rear elevational view thereof;
FIG. 3 is a bottom plan view thereof;
FIG. 4 is a top plan view thereof;
FIG. 5 is a top perspective view thereof; and,
FIG. 6 is an enlarged portion as designated in FIG. 1 view. The broken lines in the drawings depict portions of the basketball rim ball blocker that form no part of the claimed design.

1 Claim, 1 Drawing Sheet

(56) **References Cited**

U.S. PATENT DOCUMENTS

D249,871 S * 10/1978 Cannon D8/343
D266,904 S * 11/1982 Freding D8/333
D354,534 S * 1/1995 Michalik D21/703
5,433,095 A * 7/1995 Mitchell A63B 63/083 473/448
5,439,210 A * 8/1995 Davis A63B 63/083 473/485
5,582,401 A * 12/1996 Malone A63B 63/083 473/415
5,628,507 A * 5/1997 Johnson A63B 63/083 206/315.1



(56)

References Cited

U.S. PATENT DOCUMENTS

D879,220 S * 3/2020 Elpers D21/701
D879,892 S * 3/2020 Elpers D21/701
2005/0113192 A1* 5/2005 Seaman A63B 63/083
473/447
2018/0333625 A1* 11/2018 Elpers A63B 63/083

* cited by examiner

Figure 1

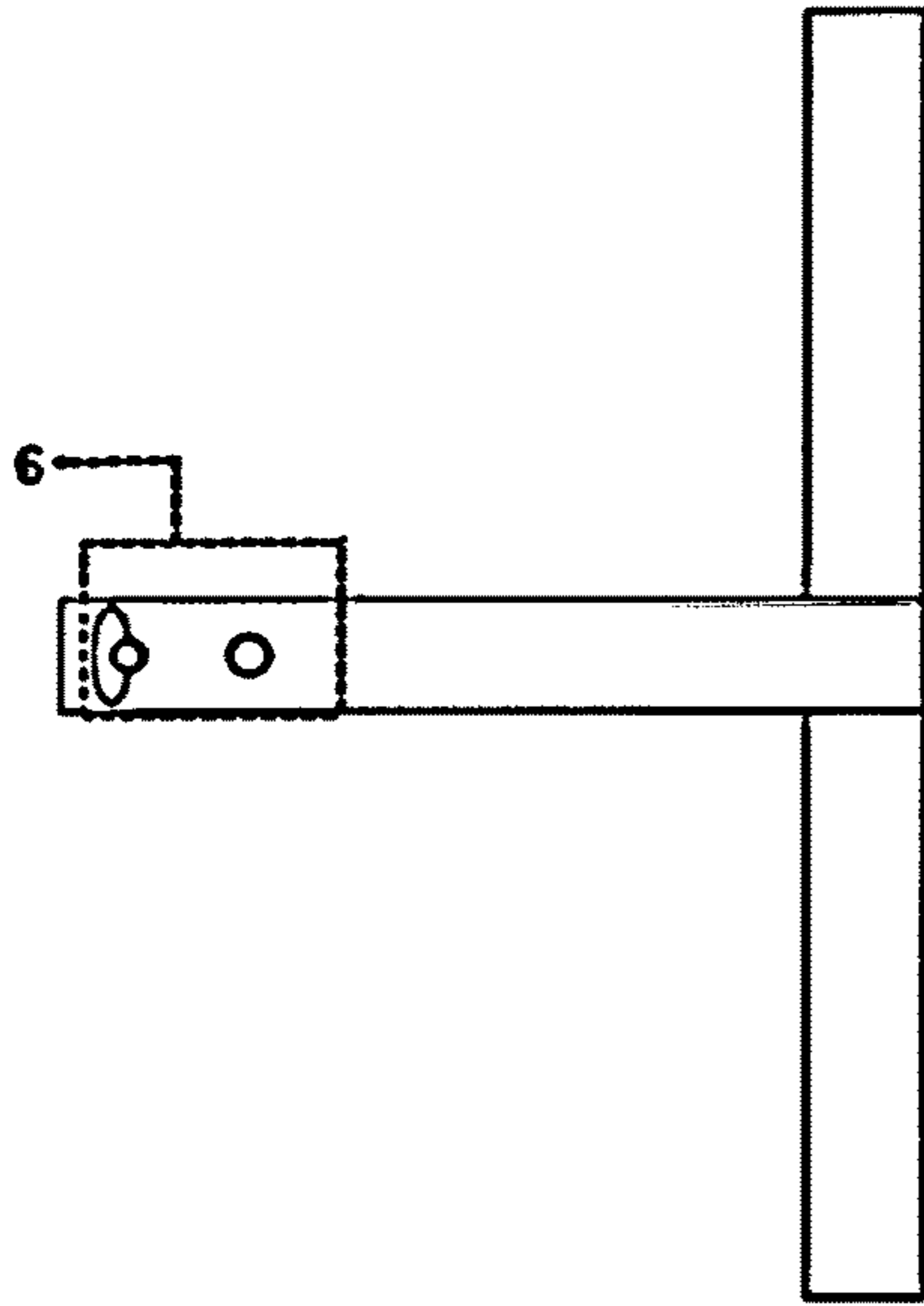


Figure 2

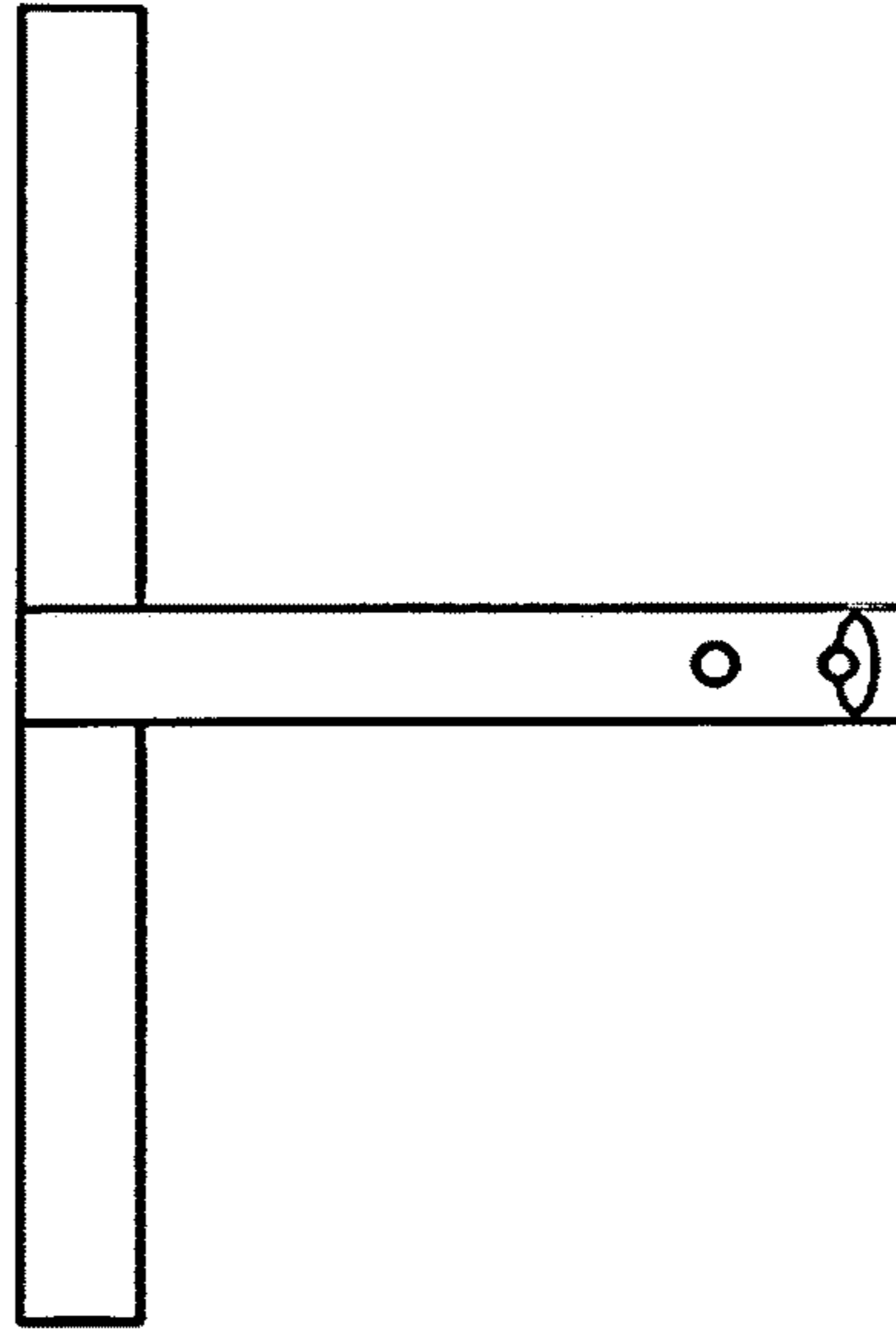


Figure 3

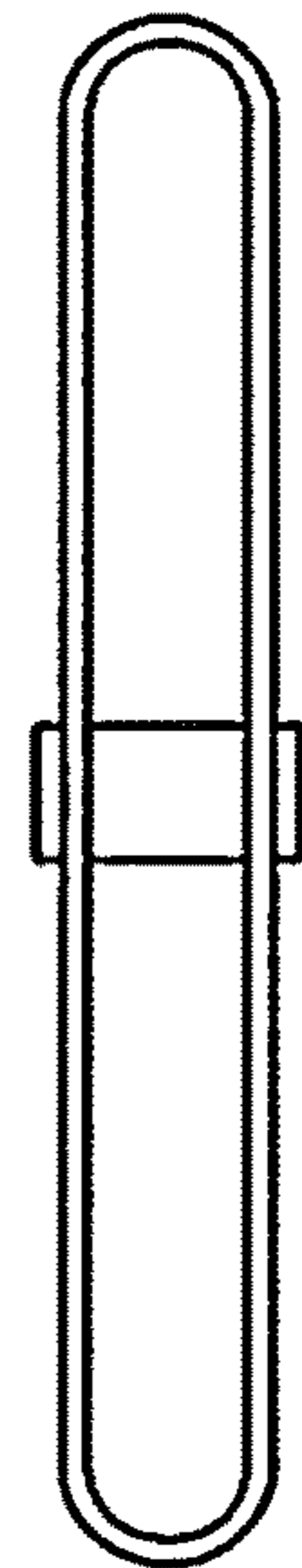


Figure 4

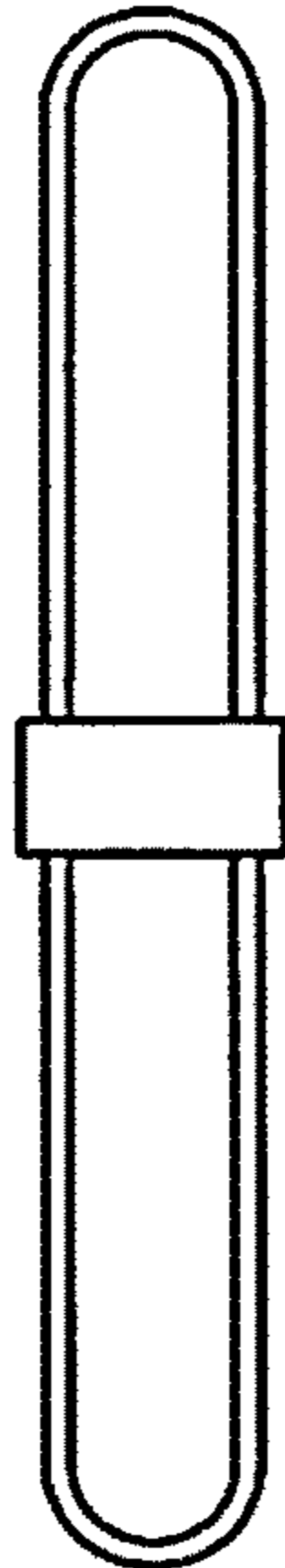


Figure 5



Figure 6

