



US00D967311S

(12) **United States Design Patent** (10) **Patent No.:** **US D967,311 S**  
**Molinari et al.** (45) **Date of Patent:** **\*\* Oct. 18, 2022**

(54) **BALL**  
(71) Applicant: **NIKE, Inc.**, Beaverton, OR (US)  
(72) Inventors: **Arthur Molinari**, Portland, OR (US);  
**Brent Radewald**, Portland, OR (US);  
**Todd Smith**, West Linn, OR (US)  
(73) Assignee: **NIKE, Inc.**, Beaverton, OR (US)  
(\*\*) Term: **15 Years**

D669,946 S \* 10/2012 Aogaki ..... D21/713  
D686,678 S \* 7/2013 Krysiak ..... D21/707  
D692,074 S \* 10/2013 Aogaki ..... D21/713  
D738,972 S \* 9/2015 Black ..... D21/708  
D775,286 S \* 12/2016 Pawlas ..... D21/680  
D786,375 S 5/2017 Deaton et al.  
D795,368 S \* 8/2017 Ashton ..... D21/713  
D816,786 S \* 5/2018 Löffelmann ..... D21/713  
D829,836 S \* 10/2018 Löffelmann ..... D21/713  
D838,792 S \* 1/2019 Sato ..... D21/713  
D863,474 S \* 10/2019 Smith ..... D21/713  
D863,475 S 10/2019 Smith  
10,434,374 B2 \* 10/2019 Berggren ..... A63B 45/02

(Continued)

(21) Appl. No.: **29/752,955**

(22) Filed: **Sep. 29, 2020**

(51) **LOC (13) Cl.** ..... **21-02**

(52) **U.S. Cl.**  
USPC ..... **D21/713**

(58) **Field of Classification Search**  
USPC ..... D21/301, 311, 312, 314, 398, 466, 498,  
D21/707, 708, 709, 712, 713, 714, 318,  
D21/357, 788; D2/969, 970, 972  
CPC ..... A63B 37/00; A63B 43/008; A63B 43/00;  
A63B 43/04; A63B 43/06; A63B 43/007;  
A63B 2043/001; A63B 69/0079; A63B  
69/0084; A63B 69/0086; A63B 69/0088;  
A63B 41/00; A63B 41/125; A63B 41/08;  
A63B 41/10; A63B 41/02; A63B 41/04;  
A63B 41/085; A63B 45/00; A63B  
2243/00; A63B 37/14; A63B 37/0022;  
A63B 2243/0025

See application file for complete search history.

(56) **References Cited**

**U.S. PATENT DOCUMENTS**

4,318,544 A \* 3/1982 Brine, Jr. .... A63B 41/08  
473/613  
D268,853 S \* 5/1983 Brine, Jr. .... D21/713  
D408,877 S \* 4/1999 Sonntag ..... D21/713  
D449,730 S \* 10/2001 McDowell ..... D2/972  
D452,069 S \* 12/2001 Allen ..... D2/972

**OTHER PUBLICATIONS**

Nike launches new Flight ball for 2020\_21 premier League. Date  
Posted: Jul. 29, 2020. Retrieved from internet: < <https://www.premierleague.com/news/1744525>> [site visited Mar. 23, 2022]  
(Year: 2020).\*

(Continued)

*Primary Examiner* — Katherine Glennon  
*Assistant Examiner* — Yuan Yuan  
(74) *Attorney, Agent, or Firm* — Schwabe, Williamson &  
Wyatt, P.C.

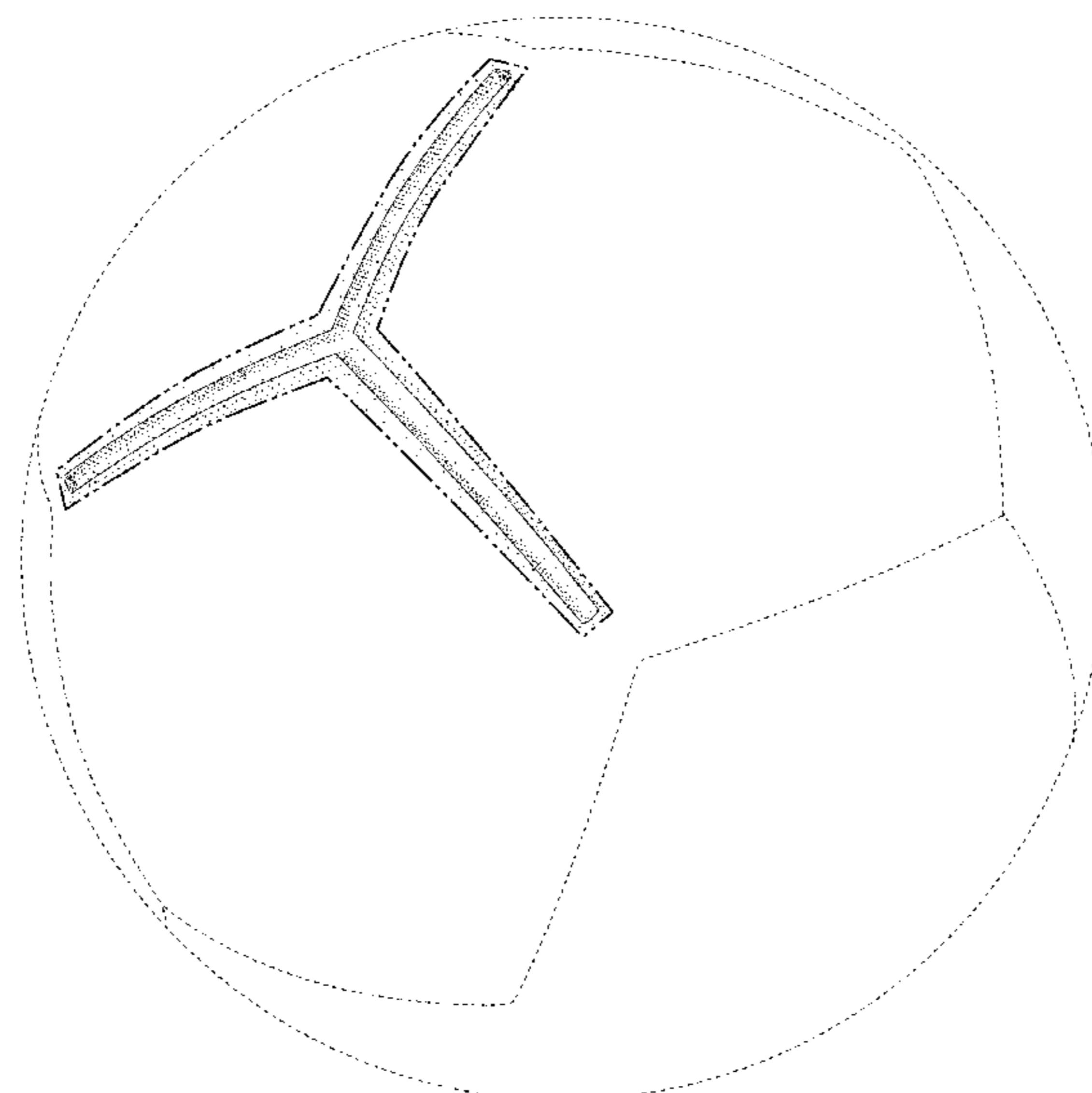
(57) **CLAIM**

We claim the ornamental design for a ball, as shown and  
described.

**DESCRIPTION**

FIG. 1 is a front perspective view of a ball, showing our new  
design;  
FIG. 2 is a front view thereof; and,  
FIG. 3 is a top view thereof.  
The dot-dot-dash broken lines adjacent to the shaded area  
define the bounds of the claimed design and form no part  
thereof. The dashed lines depict portions of the ball that form  
no part of the claimed design.

**1 Claim, 3 Drawing Sheets**



(56)

**References Cited**

## U.S. PATENT DOCUMENTS

10,518,138 B2 \* 12/2019 Lyon ..... A63B 41/08  
D892,242 S \* 8/2020 Hasell ..... D21/713  
D895,036 S \* 9/2020 Smith ..... D21/713  
D911,467 S \* 2/2021 Hasell ..... D21/698  
D922,505 S \* 6/2021 Hasell ..... D21/713  
2009/0325747 A1 \* 12/2009 Ou ..... A63B 45/00  
473/604  
2012/0142465 A1 \* 6/2012 Berggren ..... A63B 45/00  
156/308.4  
2017/0354851 A1 \* 12/2017 Lyon ..... A63B 41/085  
2018/0243614 A1 \* 8/2018 Berggren ..... A63B 43/008

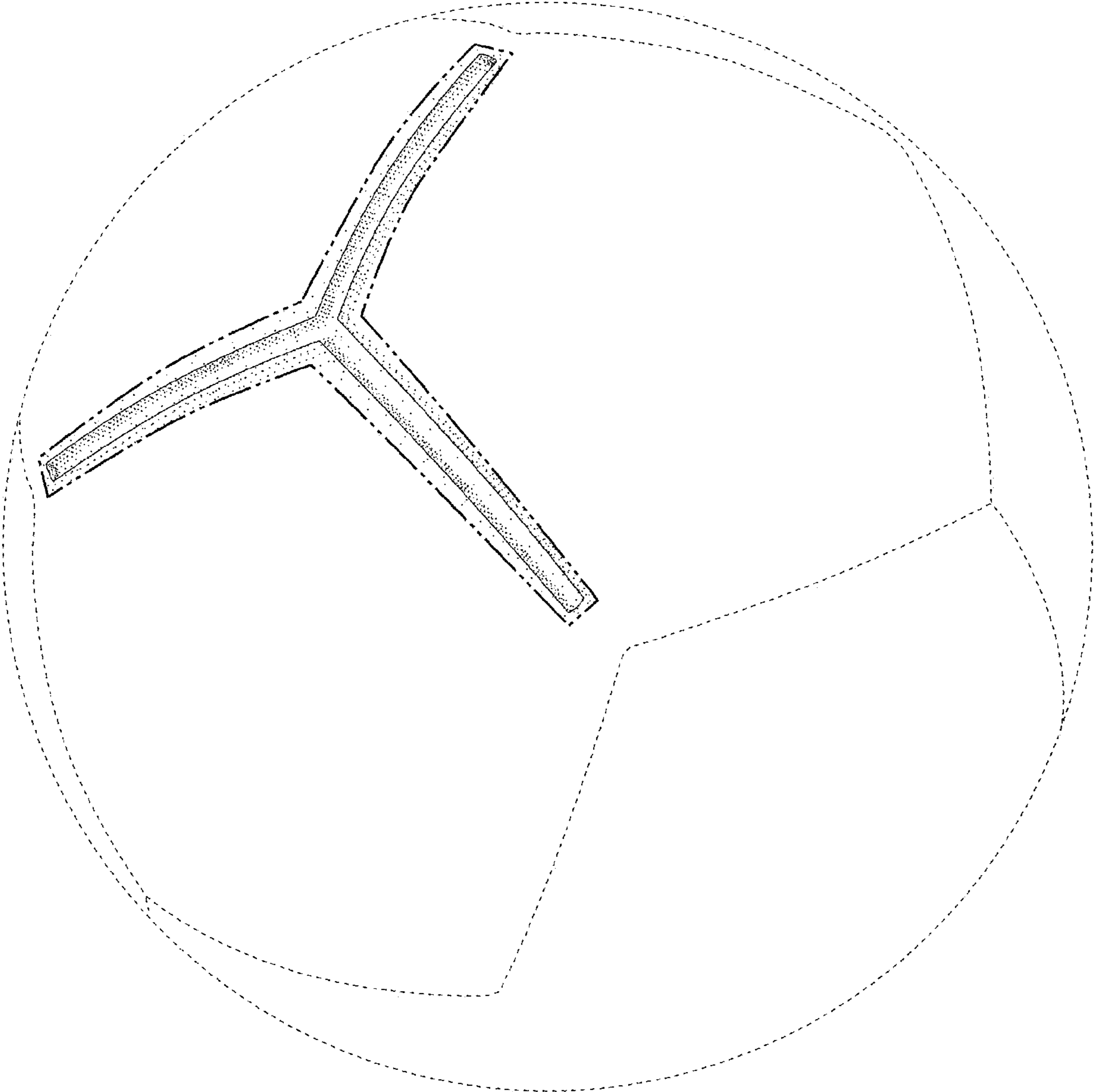
## OTHER PUBLICATIONS

Nike Park Team Ball. Date First Available: Feb. 6, 2021. Retrieved from internet: < <https://www.amazon.com/Nike-Football-Yellow-Crimson-CU8033-720/dp/B08TMKM3ZB>> [site visited Mar. 23, 2022] (Year: 2021).\*

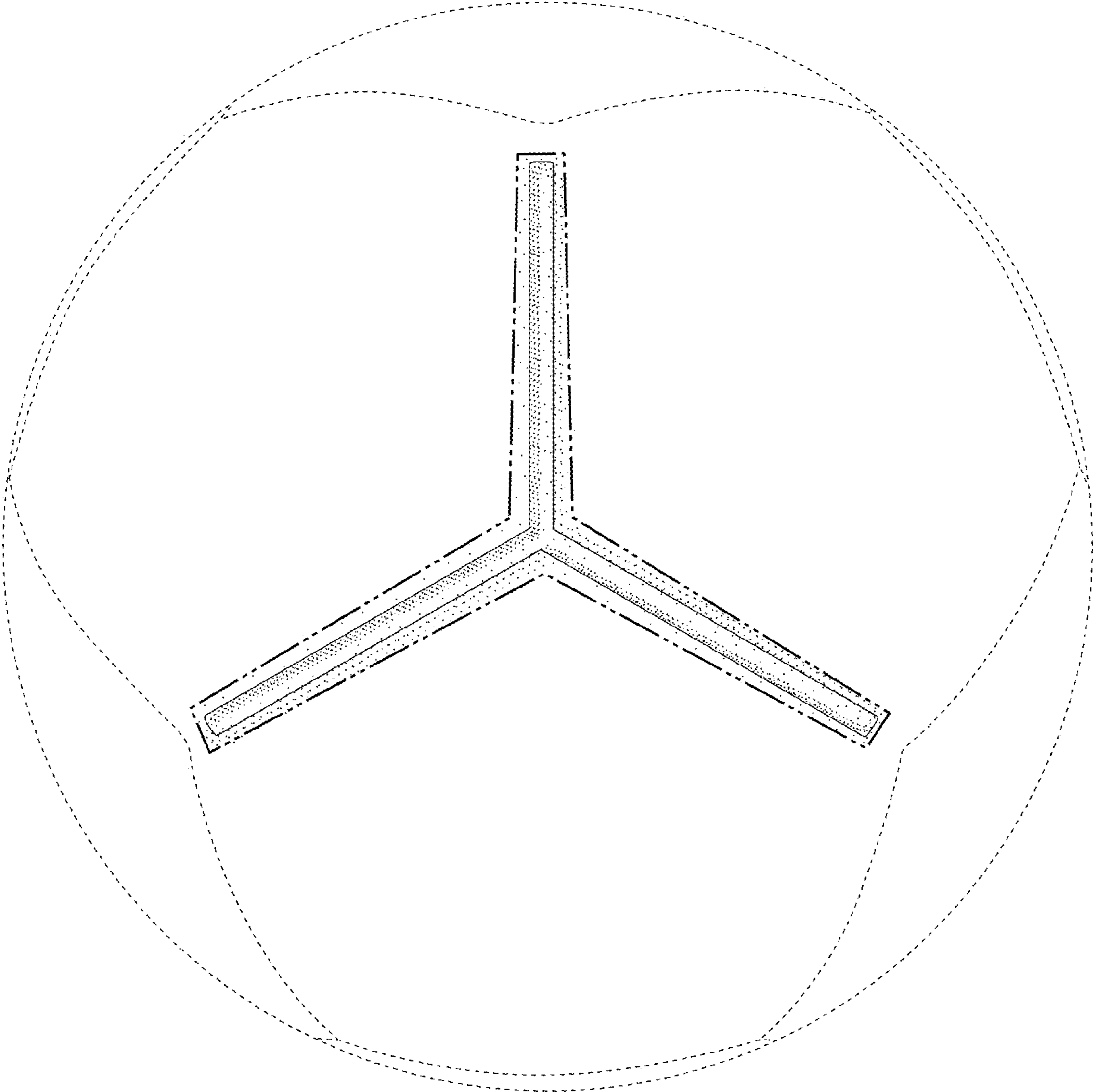
Nike, Merlin Match Ball, Accessed Oct. 13, 2020 from <https://www.soccerpro.com/theinstep/nike-merlin-and-pitch-review-comparison/>; 6 pages.

Nike, Premiere League Strike Pro Soccer Ball, Accessed Oct. 13, 2020 from <https://www.soccerpro.com/product/nike-strike-pro-soccer-ball-white-black-racer-pink-metallic-silver/>; 3 pages.

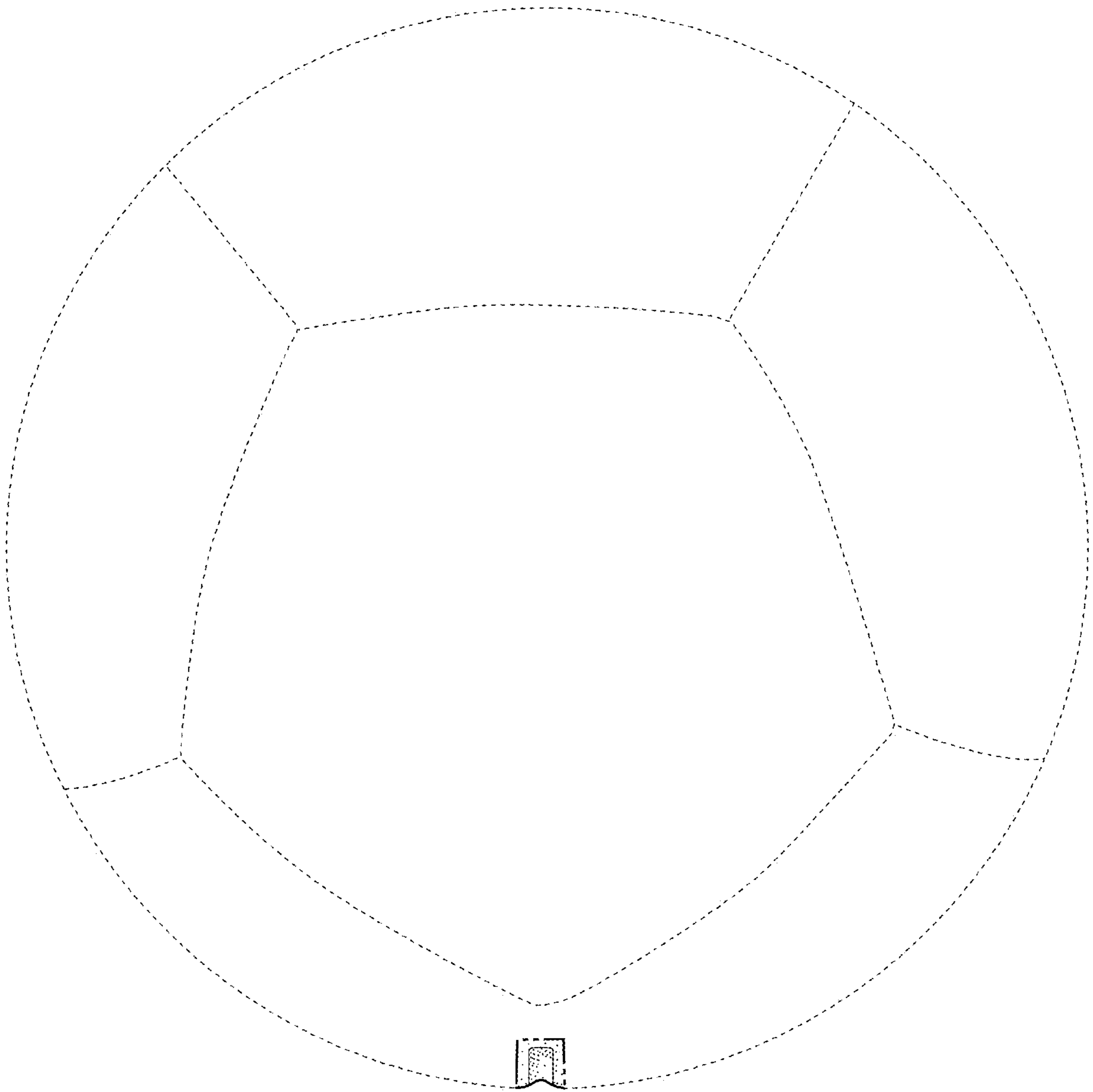
\* cited by examiner



**FIG. 1**



**FIG. 2**



**FIG. 3**