

US00D967304S

(12) **United States Design Patent**  
**Smith**

(10) **Patent No.:** **US D967,304 S**

(45) **Date of Patent:** **\*\* Oct. 18, 2022**

- (54) **PULLEY FOR A WATER ROWER**
- (71) Applicant: **Stephen Smith**, Marrero, LA (US)
- (72) Inventor: **Stephen Smith**, Marrero, LA (US)
- (73) Assignee: **HOT Brands, LLC**, Marrero, LA (US)
- (\*\*) Term: **15 Years**
- (21) Appl. No.: **29/816,302**
- (22) Filed: **Nov. 20, 2021**

- 6,558,301 B1 \* 5/2003 Jackson ..... A63B 21/155  
482/121
- D512,113 S \* 11/2005 Carter ..... D21/675
- 2006/0052220 A1 \* 3/2006 Jackson ..... A63B 23/0458  
482/52
- 2009/0163323 A1 \* 6/2009 Bocchicchio ..... A63B 21/154  
482/142
- 2013/0109543 A1 \* 5/2013 Reyes ..... A63B 21/4035  
482/99
- 2018/0200563 A1 \* 7/2018 Hansen ..... F16B 7/1418
- 2020/0155890 A1 \* 5/2020 Casagrande ..... F16B 2/22
- 2020/0230460 A1 \* 7/2020 Reinhardt ..... A63B 22/0076

\* cited by examiner

*Primary Examiner* — Khawaja Anwar

*Assistant Examiner* — Julice Seung Eun Oum

(74) *Attorney, Agent, or Firm* — David M. Stein

**Related U.S. Application Data**

- (63) Continuation-in-part of application No. 29/726,344, filed on Mar. 3, 2020, now Pat. No. Des. 936,161.
- (51) **LOC (13) Cl.** ..... **21-02**
- (52) **U.S. Cl.**  
USPC ..... **D21/674**
- (58) **Field of Classification Search**  
USPC ..... D21/687, 690, 662, 665, 676, 695, 686,  
D21/674, 694, 692  
See application file for complete search history.

(57) **CLAIM**

The ornamental design for a pulley for a water rower, as shown and described.

**DESCRIPTION**

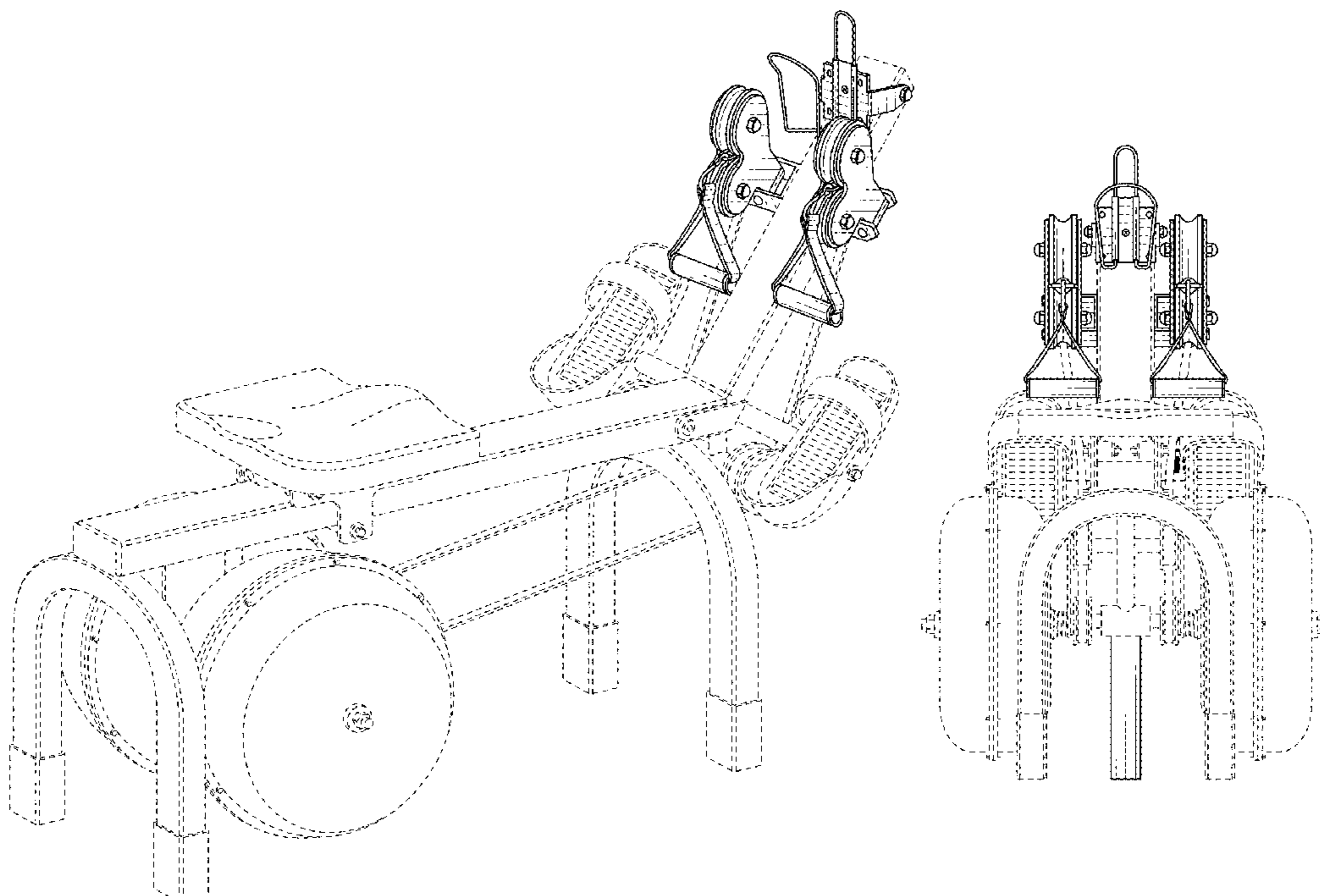
FIG. 1 is a right perspective view of a pulley for a water rower showing the new design.  
 FIG. 2 is a rear view thereof.  
 FIG. 3 is a front view thereof.  
 FIG. 4 is a left side view thereof; and,  
 FIG. 5 is a right side view thereof.  
 Any shading and cross-hatching are not features of the design but are utilized to illustrate the surface contours of the pulley for a water rower design in the drawings. It will be understood that the dashed lines presented in the drawings are for illustration only, and do not form a part of the claimed design.

(56) **References Cited**

**U.S. PATENT DOCUMENTS**

- 339,638 A \* 4/1886 Goldie ..... A63B 21/154  
482/96
- D382,319 S \* 8/1997 Gerschevske ..... D21/674
- D383,810 S \* 9/1997 Wilkinson ..... D21/662
- 5,910,073 A \* 6/1999 Conner ..... A63B 21/1645  
482/904
- 6,394,935 B1 \* 5/2002 Lake ..... A63B 21/4013  
482/93

**1 Claim, 4 Drawing Sheets**



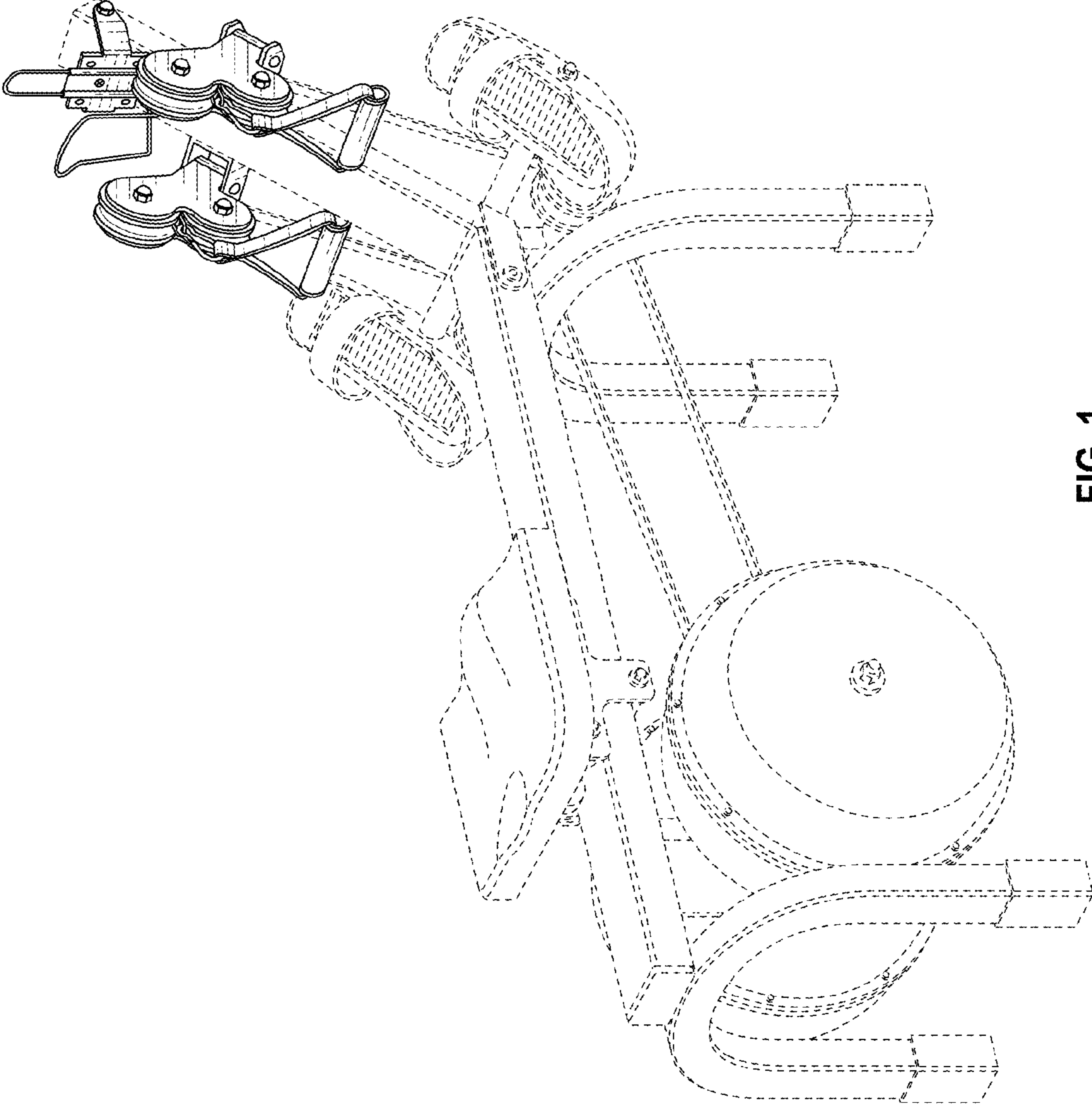


FIG. 1

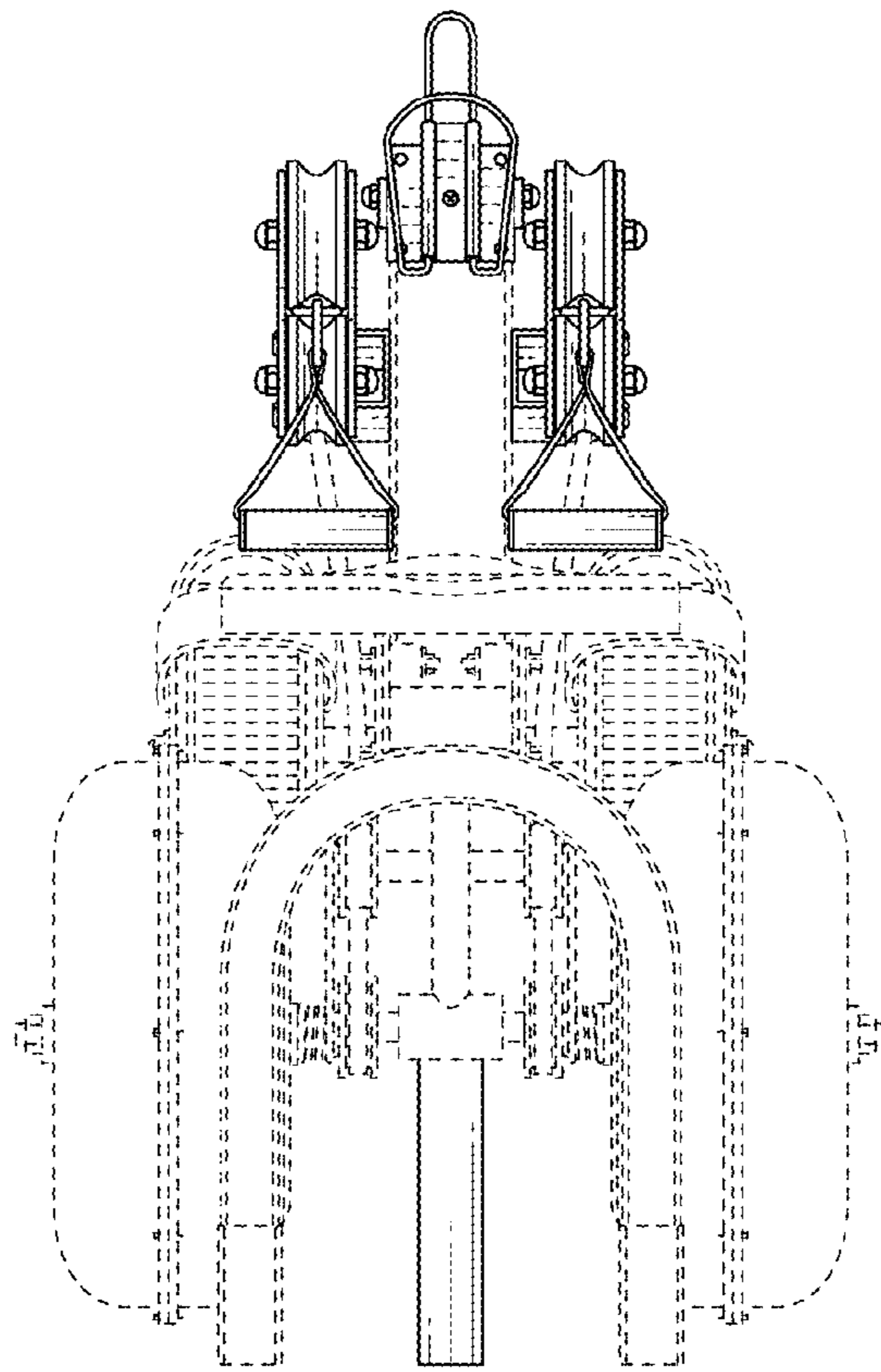


FIG. 2

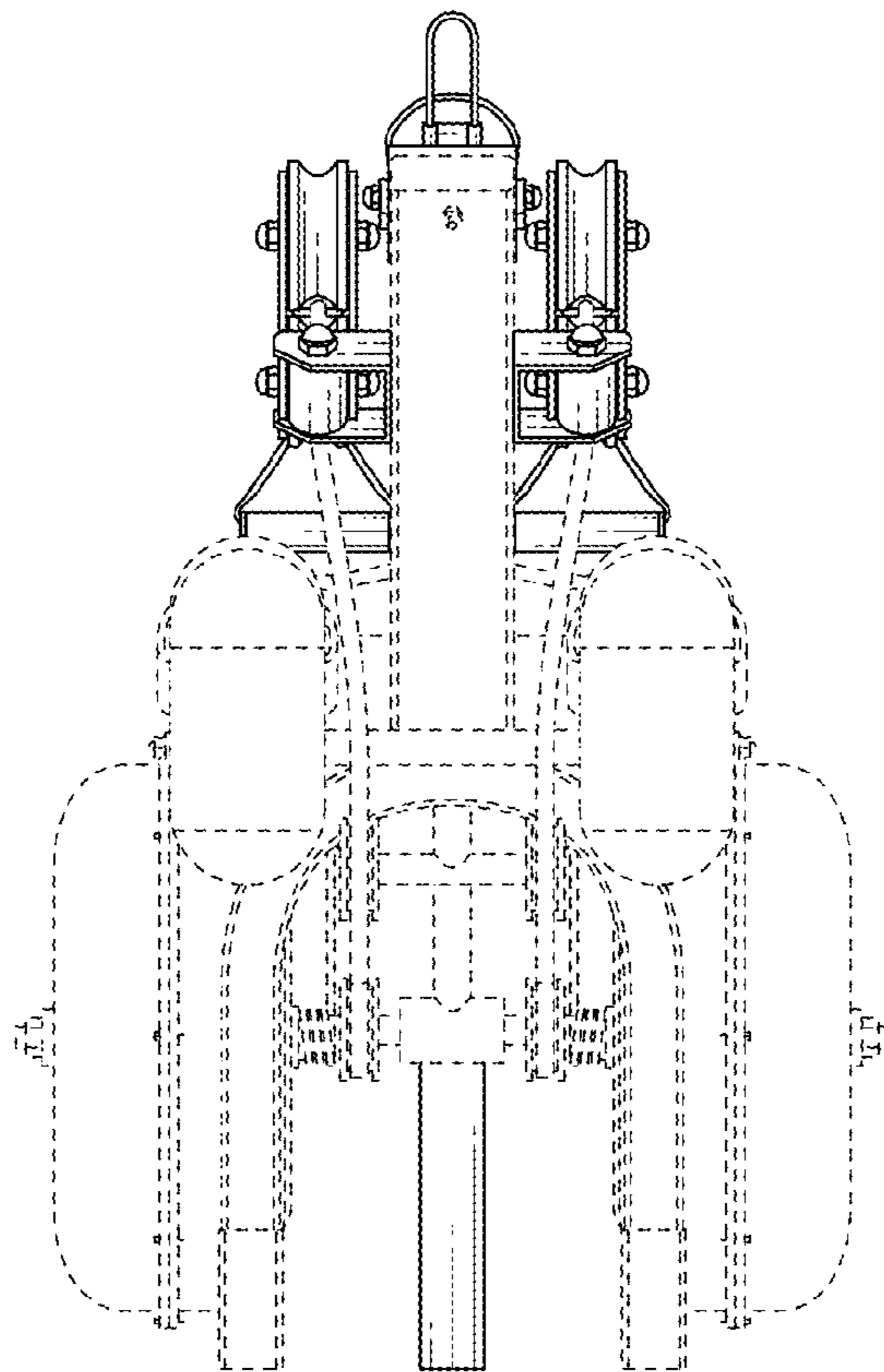


FIG. 3

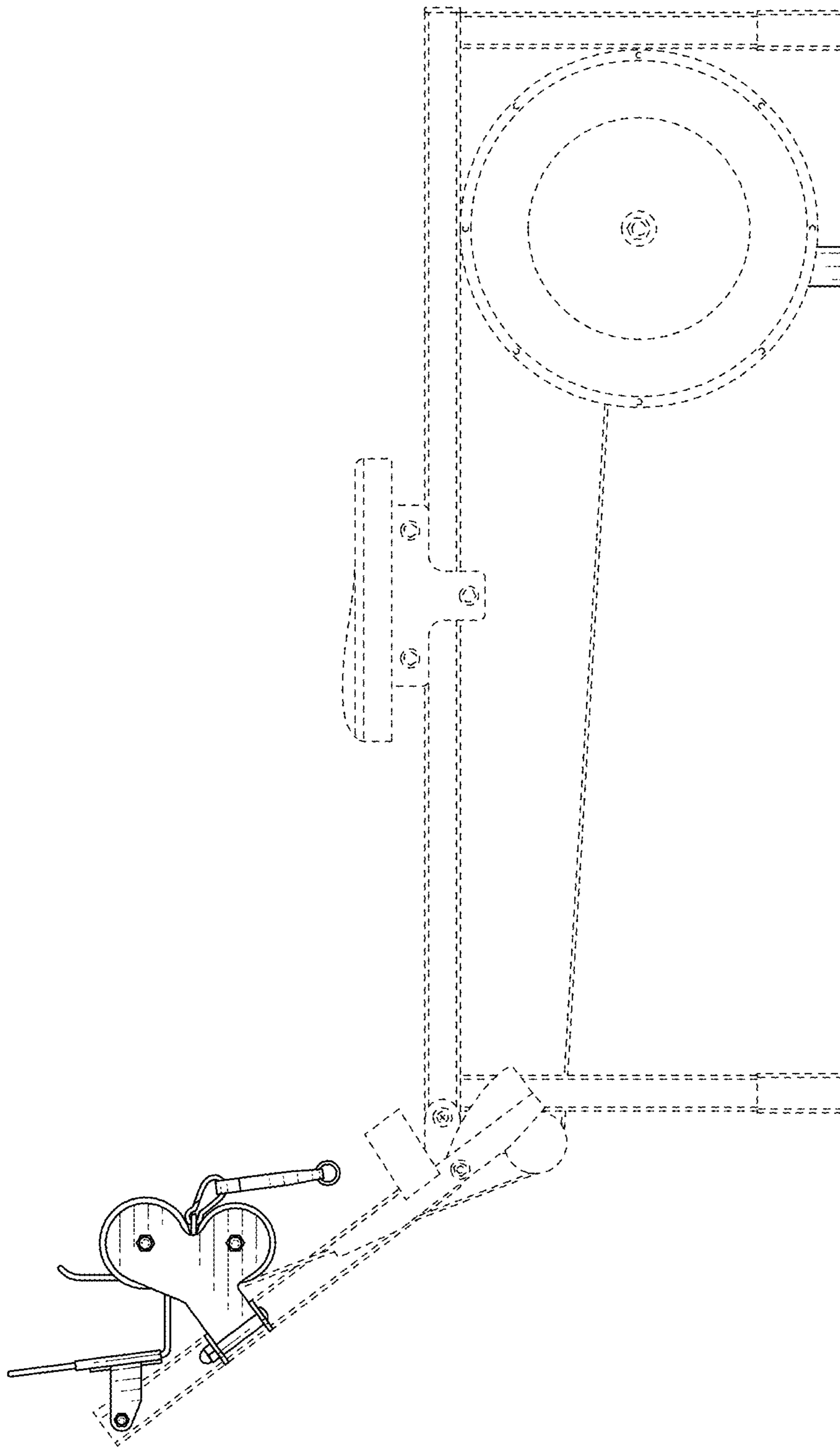


FIG. 4

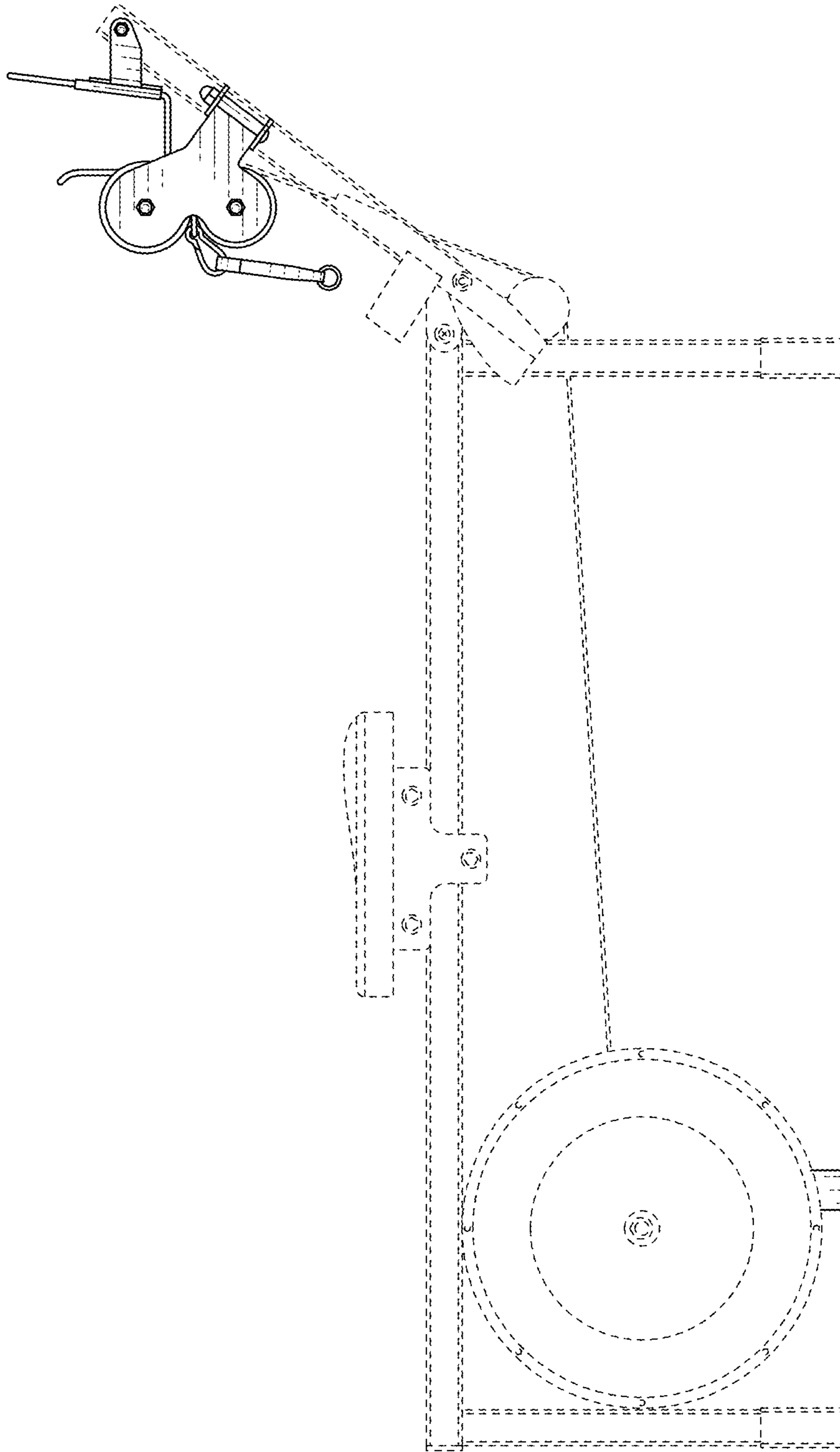


FIG. 5