



US00D967300S

(12) **United States Design Patent**  
**Martinez et al.**

(10) **Patent No.:** **US D967,300 S**  
(45) **Date of Patent:** **\*\* Oct. 18, 2022**

- (54) **DOLL**
- (71) Applicant: **The Jerk at Work, LLC**, Weston, FL (US)
- (72) Inventors: **Esther Martinez**, Weston, FL (US);  
**Sean Kenniff**, Weston, FL (US)
- (73) Assignee: **The Jerk at Work, LLC**, Weston, FL (US)
- (\*\*) Term: **15 Years**
- (21) Appl. No.: **29/716,004**
- (22) Filed: **Dec. 5, 2019**
- (51) **LOC (13) Cl.** ..... **21-01**
- (52) **U.S. Cl.**  
USPC ..... **D21/633**; D11/127; D11/128
- (58) **Field of Classification Search**  
USPC ..... D21/587, 596, 621–625, 631, 633,  
D21/638–639, 658–661; D11/127–129  
CPC ..... A63H 3/00  
See application file for complete search history.

D279,386 S *	6/1985	Dunn	.....	D11/136
D343,374 S *	1/1994	Hazard, III	.....	D11/160
D343,864 S *	2/1994	Rebong	.....	D18/15
D352,013 S *	11/1994	Corson	.....	D11/121
D446,155 S *	8/2001	Simpson	.....	D11/129
D451,768 S *	12/2001	Walker	.....	D7/628
D789,243 S *	6/2017	Parisi	.....	D11/128

**OTHER PUBLICATIONS**

“Thejerkatworkdoll instagram profile” Jul. 25, 2019, site visited Sep. 27, 2021: <https://www.instagram.com/thejerkatworkdoll/> (Year: 2019).\*

\* cited by examiner

*Primary Examiner* — Michael C Stout  
*Assistant Examiner* — Melvin L Davis  
(74) *Attorney, Agent, or Firm* — Mark C. Johnson;  
Johnson Dalal

(57) **CLAIM**

The ornamental design for a doll, as shown and described.

**DESCRIPTION**

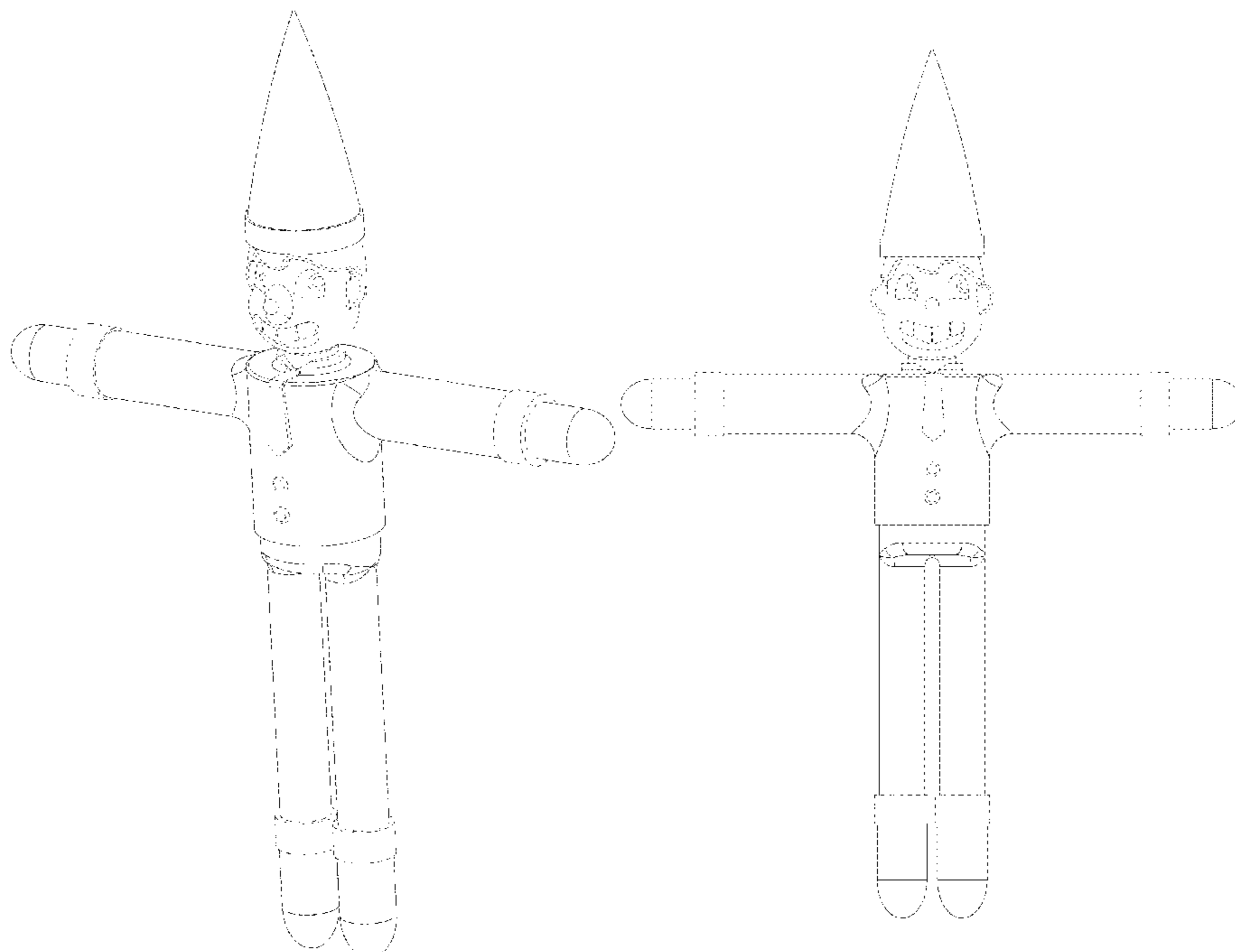
FIG. 1 is a perspective view of a doll in accordance with the present invention;  
FIG. 2 is an elevational front view of the doll in FIG. 1;  
FIG. 3 is an elevational rear view of the doll in FIG. 1;  
FIG. 4 is an elevational left-side view of the doll in FIG. 1;  
FIG. 5 is an elevational right-side view of the doll in FIG. 1;  
FIG. 6 is a top plan view of the doll in FIG. 1; and,  
FIG. 7 is a bottom plan view of the doll in FIG. 1.  
The broken lines shown in the drawings depict portions of the doll which form no part of the claimed design.

**1 Claim, 5 Drawing Sheets**

(56) **References Cited**

**U.S. PATENT DOCUMENTS**

D66,845 S *	3/1925	Freden	.....	D11/160
D152,149 S *	12/1948	Fine	.....	D21/633
D153,522 S *	4/1949	Hawes	.....	D21/633
D168,096 S *	11/1952	Hula	.....	D21/633
D169,769 S *	6/1953	Lee	.....	D21/633
D179,510 S *	1/1957	Doan	.....	D11/128
D186,553 S *	11/1959	Rosenzweig	.....	D11/129
D190,586 S *	6/1961	Morsell	.....	D11/128
D223,004 S *	2/1972	Vandewater	.....	D11/128
D255,371 S *	6/1980	McAllister	.....	D21/638



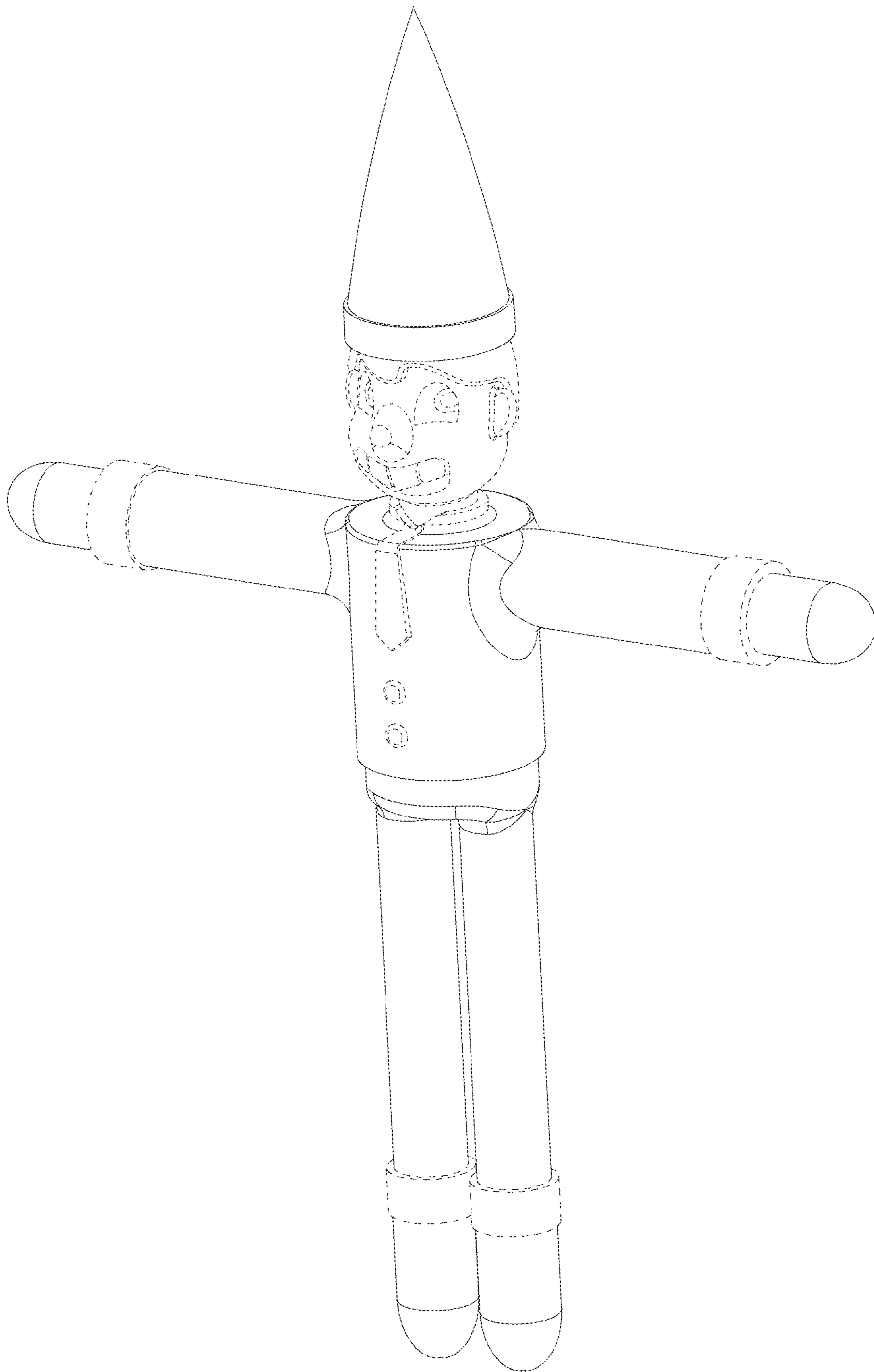


FIG. 1

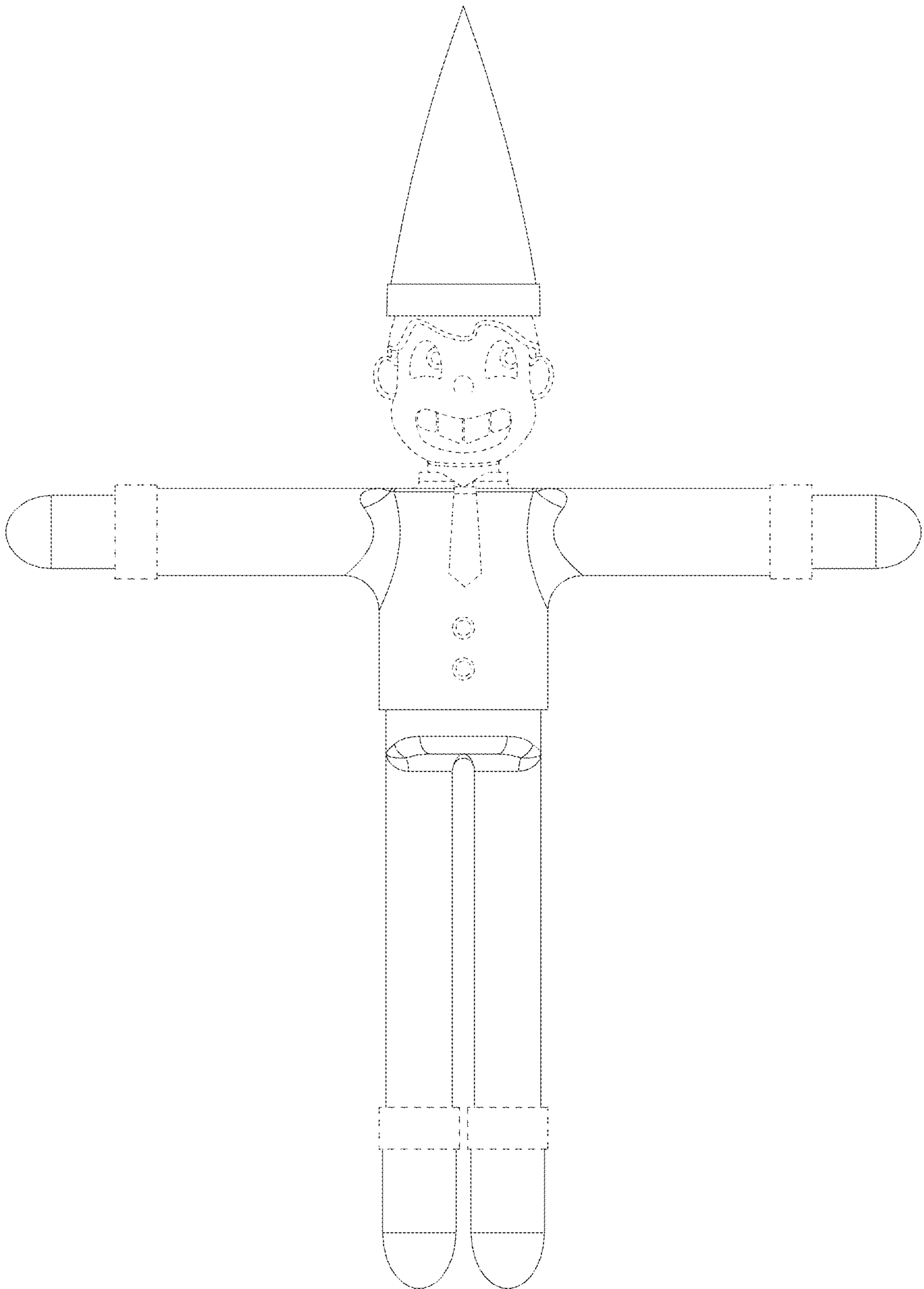


FIG. 2

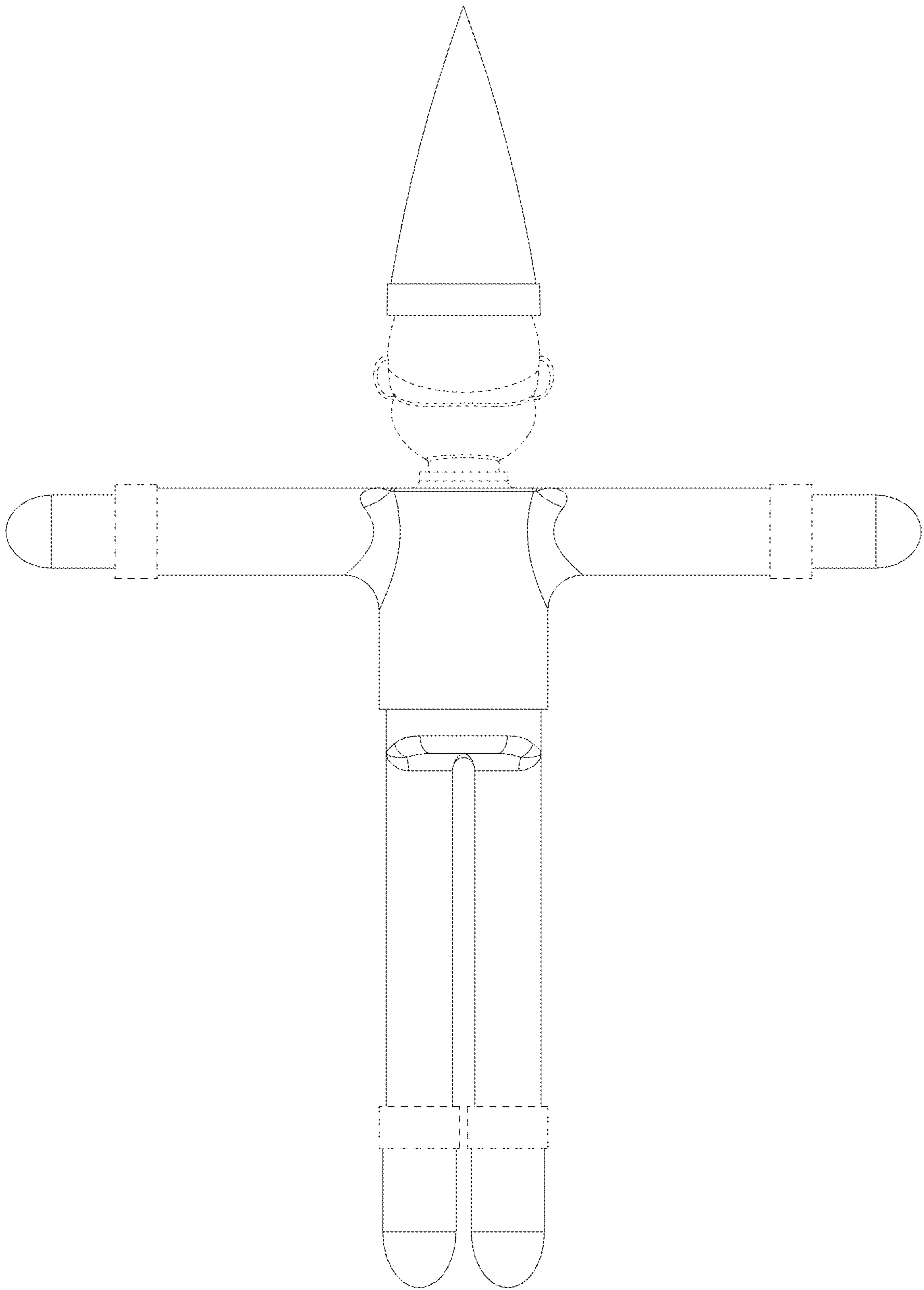


FIG. 3

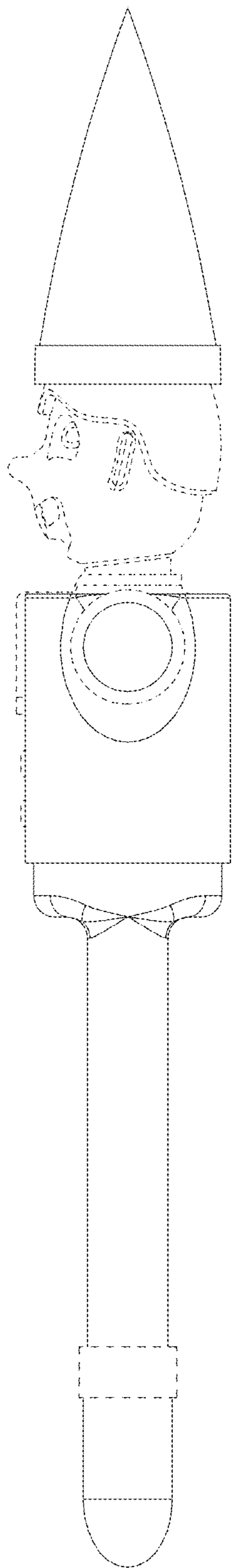


FIG. 4

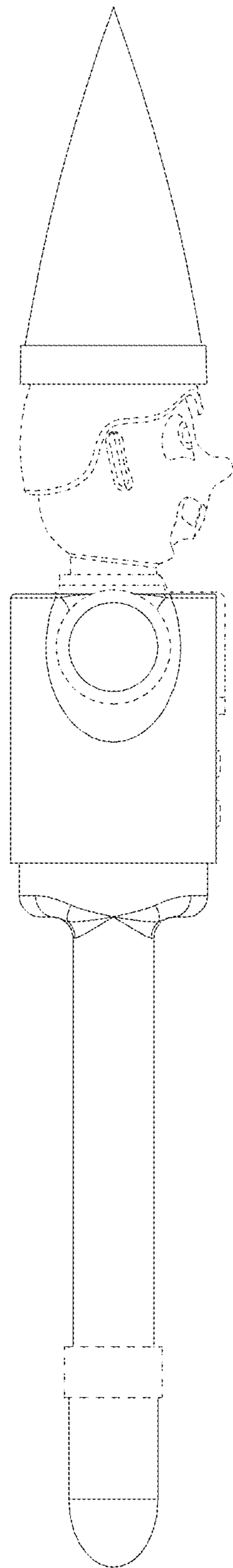


FIG. 5

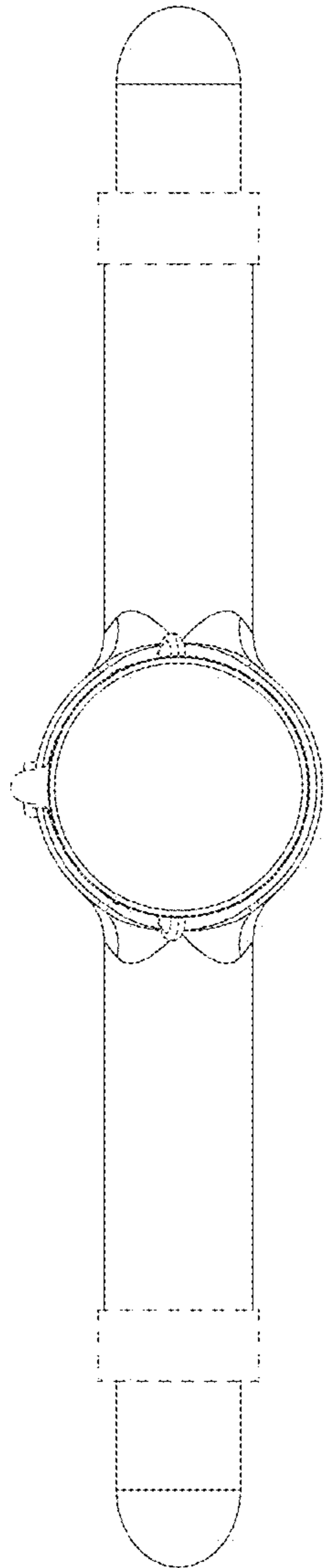


FIG. 6

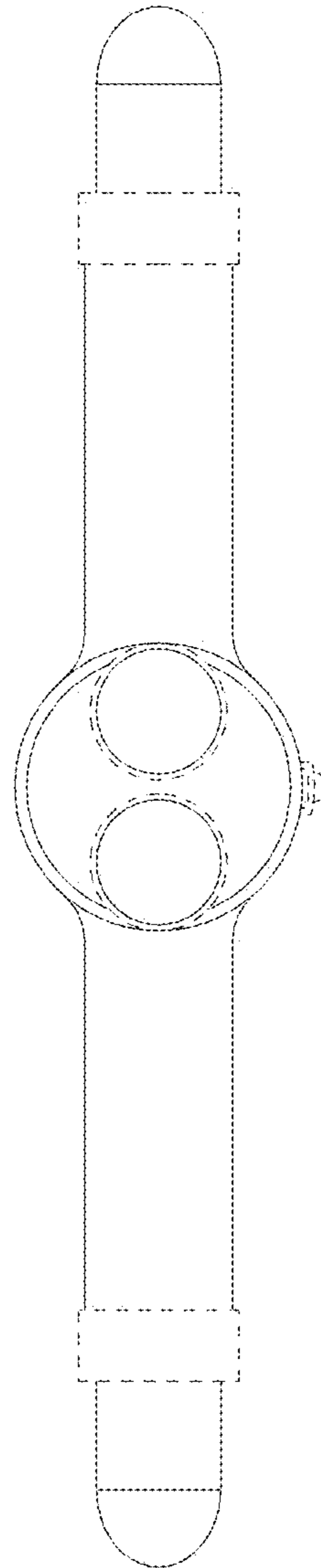


FIG. 7