

US00D967289S

(12) **United States Design Patent**
Pisor et al.

(10) **Patent No.:** **US D967,289 S**
(45) **Date of Patent:** **** Oct. 18, 2022**

(54) **MAGAZINE FOR PROJECTILE LAUNCHER**

DESCRIPTION

- (71) Applicant: **H.P. Shelby Manufacturing Ltd.**,
Chicago, IL (US)
- (72) Inventors: **Henry Pisor**, Chicago, IL (US); **David Pisor**, Chicago, IL (US)
- (73) Assignee: **H.P. SHELBY MANUFACTURING LTD.**, Chicago, IL (US)
- (**) Term: **15 Years**
- (21) Appl. No.: **29/763,993**
- (22) Filed: **Dec. 28, 2020**
- (51) **LOC (13) Cl.** **21-01**
- (52) **U.S. Cl.**
USPC **D21/573**
- (58) **Field of Classification Search**
USPC D22/100, 103, 108, 109; D21/567, 570,
D21/573

(Continued)

(56) **References Cited**

U.S. PATENT DOCUMENTS

- D522,084 S * 5/2006 Primeau, IV D22/109
- D706,880 S * 6/2014 Chu D21/573

(Continued)

OTHER PUBLICATIONS

“Shelby Destroyer foam disc blaster trailer” [online]. H.P. Shelby Manufacturing Ltd. [Published on Mar. 19, 2021]. Retrieved from the Internet: <<https://www.youtube.com/watch?v=T1Bd7iv8fk0>>.*

Primary Examiner — Mojtaba Tehrani
(74) *Attorney, Agent, or Firm* — Flener IP & Business Law; Zareefa B. Flener; Ayhan Mertogul

(57) **CLAIM**

The ornamental design for a magazine for projectile launcher, as shown and described.

FIG. 1 is a top perspective view showing a first embodiment of our new design for a magazine for projectile launcher in a first configuration;
 FIG. 2 is a left side view of the design of FIG. 1 in the first configuration;
 FIG. 3 is a right side view of the design of FIG. 1 in the first configuration;
 FIG. 4 is a front elevational view of the design of FIG. 1 in the first configuration;
 FIG. 5 is a rear elevational view of the design of FIG. 1 in the first configuration;
 FIG. 6 is a top plan view of the design of FIG. 1 in the first configuration;
 FIG. 7 is a bottom plan view of the design of FIG. 1 in the first configuration;
 FIG. 8 is a top perspective view showing the first embodiment of the magazine for projectile launcher of FIG. 1 in a second configuration;
 FIG. 9 is a left side view of the design of FIG. 1 in the second configuration;
 FIG. 10 is a right side view of the design of FIG. 1 in the second configuration;
 FIG. 11 is a front elevational view of the design of FIG. 1 in the second configuration;
 FIG. 12 is a rear elevational view of the design of FIG. 1 in the second configuration;
 FIG. 13 is a top plan view of the design of FIG. 1 in the second configuration;
 FIG. 14 is a bottom plan view of the design of FIG. 1 in the second configuration;
 FIG. 15 is a top perspective view showing a second embodiment of our new design for a magazine for projectile launcher in a first configuration;
 FIG. 16 is a left side view of the design of FIG. 15 in the first configuration;
 FIG. 17 is a right side view of the design of FIG. 15 in the first configuration;
 FIG. 18 is a front elevational view of the design of FIG. 15 in the first configuration;
 FIG. 19 is a rear elevational view of the design of FIG. 15 in the first configuration;

(Continued)

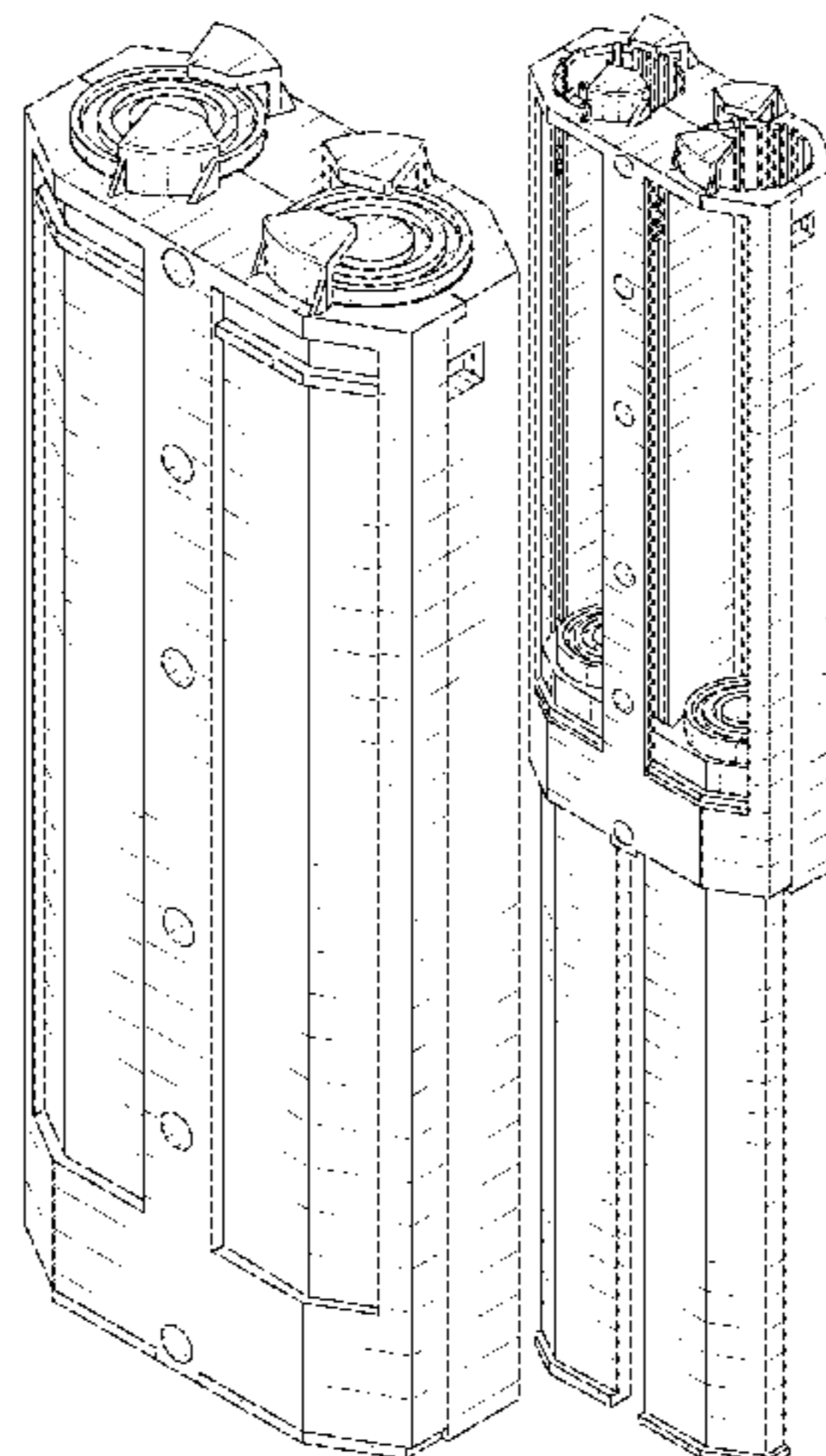


FIG. 20 is a top plan view of the design of FIG. 15 in the first configuration;
FIG. 21 is a bottom plan view of the design of FIG. 15 in the first configuration;
FIG. 22 is a top perspective view showing the second embodiment of the magazine for projectile launcher of FIG. 15 in a second configuration;
FIG. 23 is a left side view of the design of FIG. 15 in the second configuration;
FIG. 24 is a right side view of the design of FIG. 15 in the second configuration;
FIG. 25 is a front elevational view of the design of FIG. 15 in the second configuration;
FIG. 26 is a rear elevational view of the design of FIG. 15 in the second configuration;
FIG. 27 is a top plan view of the design of FIG. 15 in the second configuration; and,
FIG. 28 is a bottom plan view of the design of FIG. 15 in the second configuration.
The broken lines in the drawings depict portions of the magazine for projectile launcher that form no part of the claim.

1 Claim, 16 Drawing Sheets

(58) **Field of Classification Search**

CPC F41C 7/00; F41C 23/00; F16B 37/047;
F16L 27/1274

See application file for complete search history.

(56) **References Cited**

U.S. PATENT DOCUMENTS

D811,514	S	*	2/2018	DiLeo	D22/108
D842,391	S	*	3/2019	Iwasawa	D21/574
D842,392	S	*	3/2019	Iwasawa	D22/108
D860,336	S	*	9/2019	Gong	D21/573
D903,036	S	*	11/2020	Lavin	D22/108
D921,814	S	*	6/2021	Oh	D22/108
D952,094	S	*	5/2022	Dixon	D22/108
D952,095	S	*	5/2022	Dixon	D22/108
2021/0262748	A1	*	8/2021	Brusseau	F41A 17/44
2021/0381789	A1	*	12/2021	Brooksby	F41A 17/06

* cited by examiner

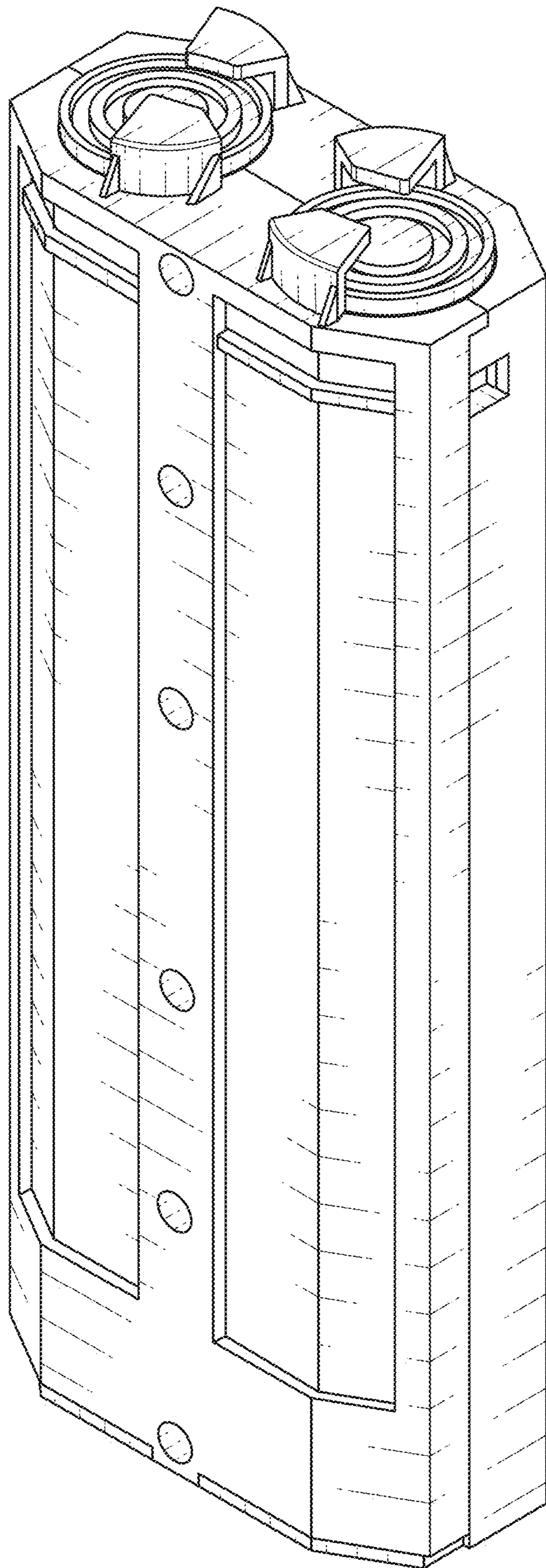


FIG. 1

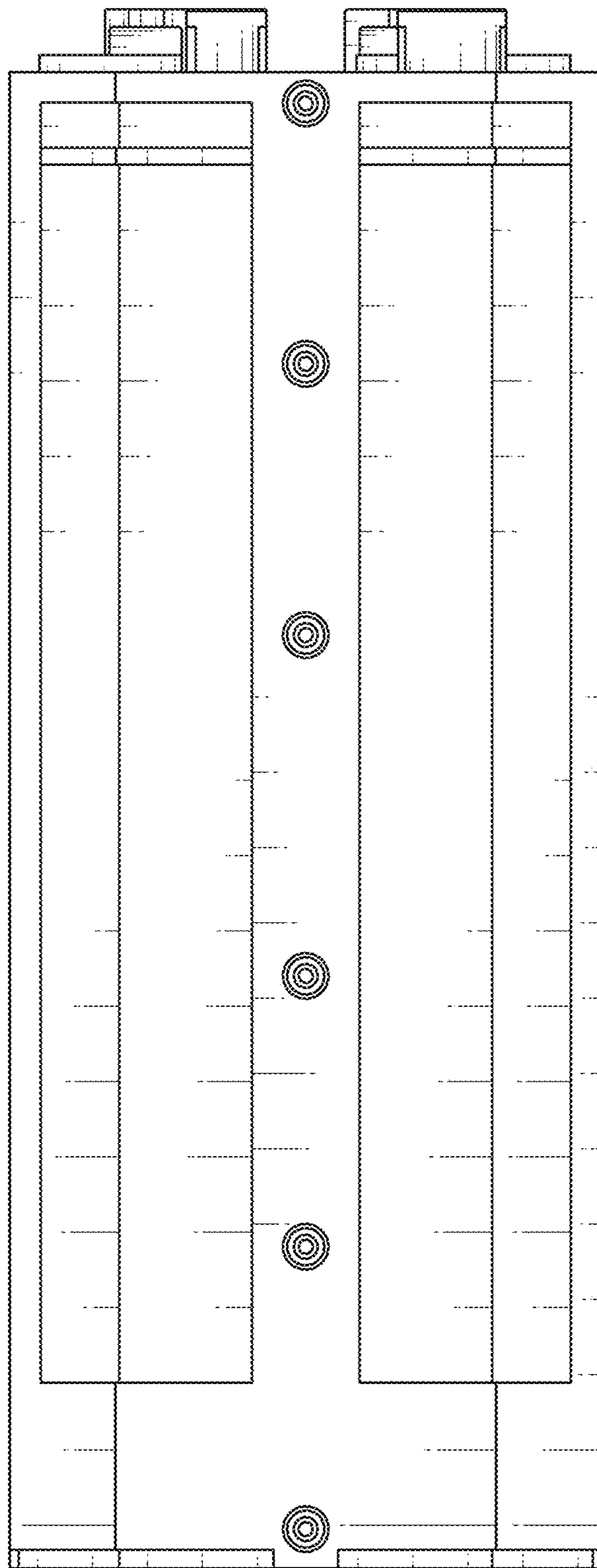


FIG. 2

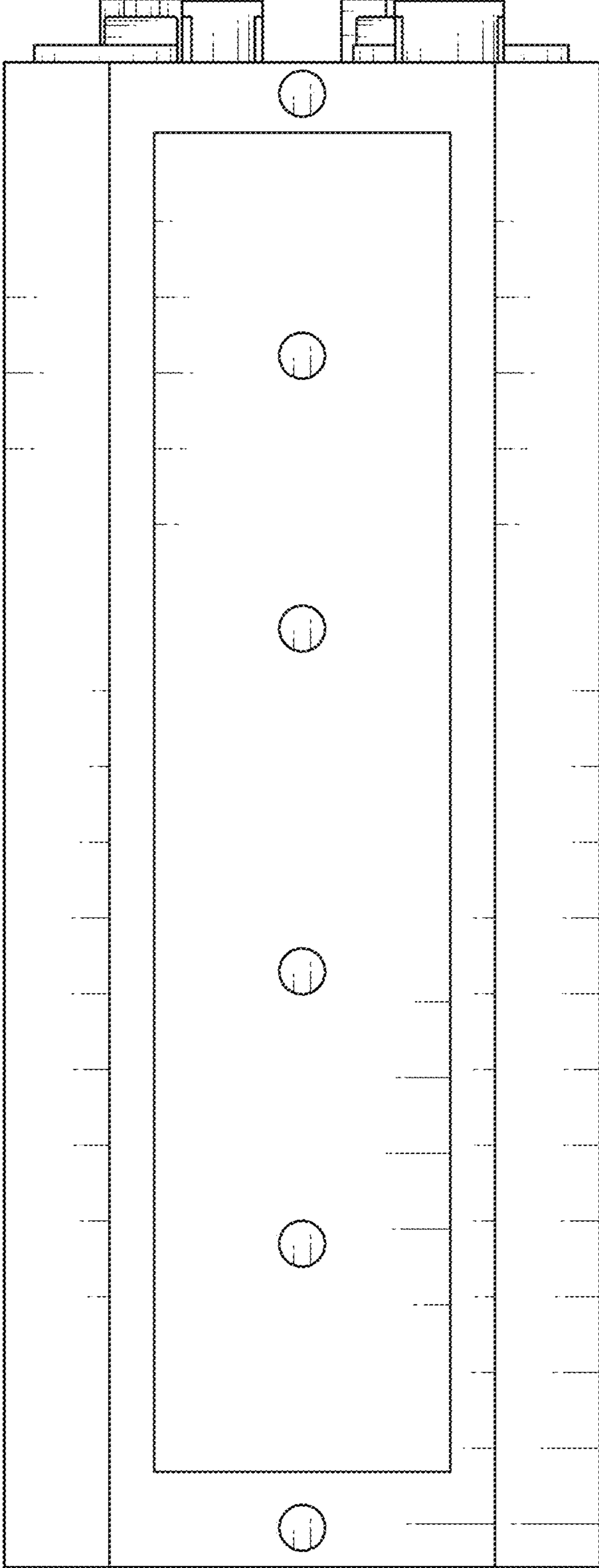


FIG. 3

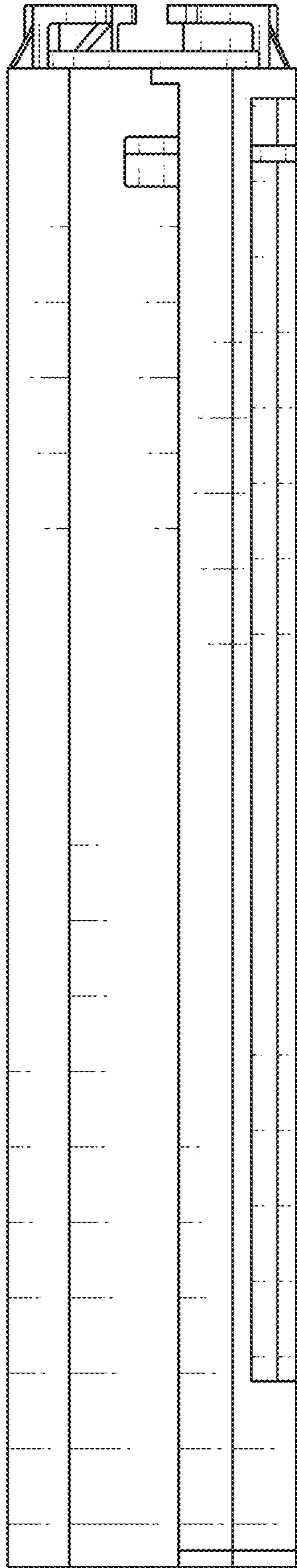


FIG. 4

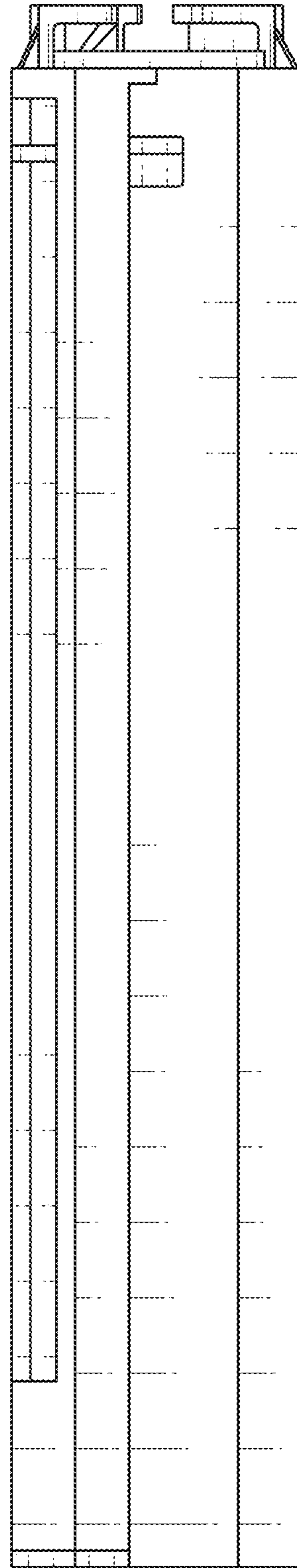


FIG. 5

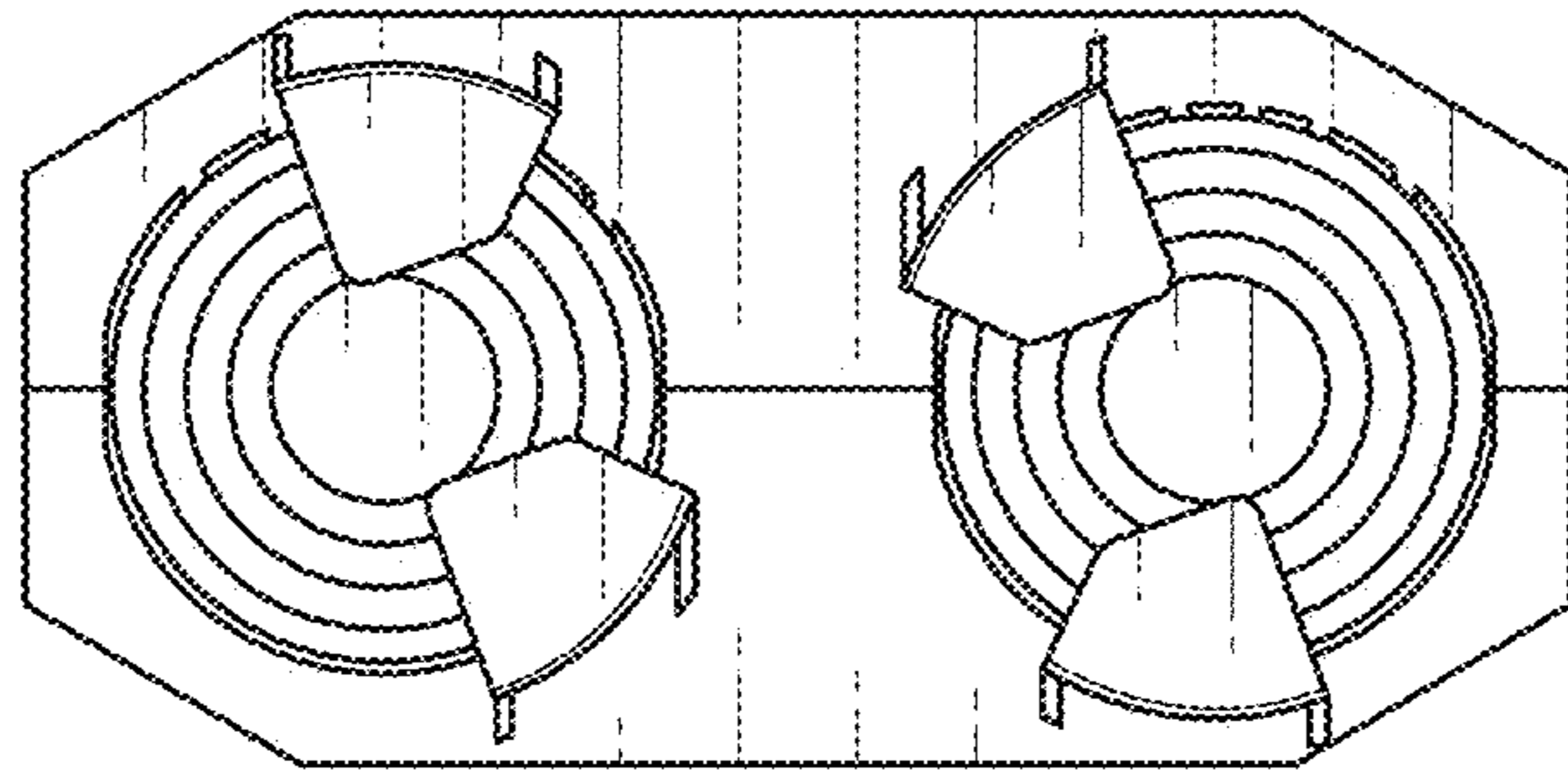


FIG. 6

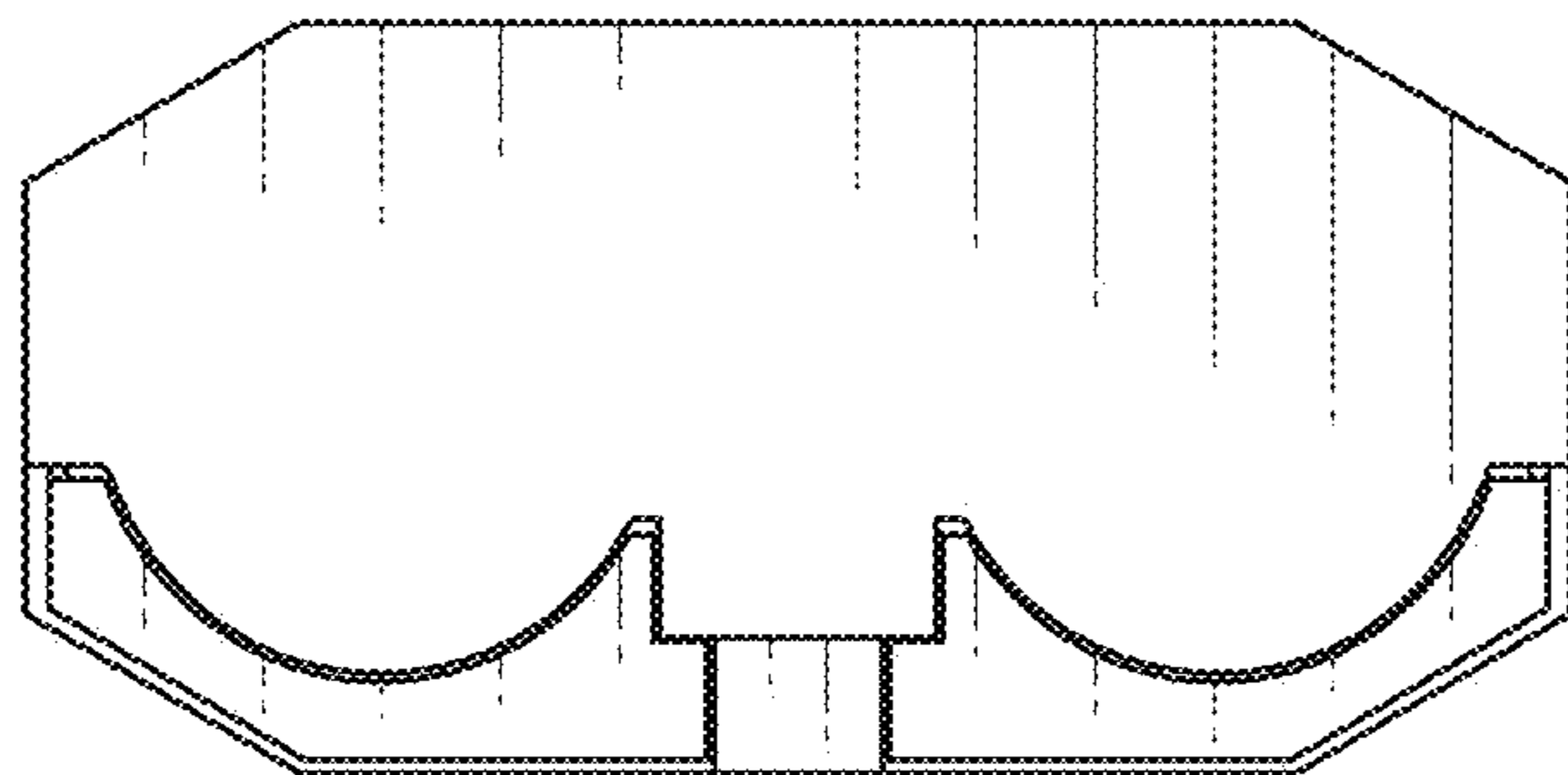


FIG. 7

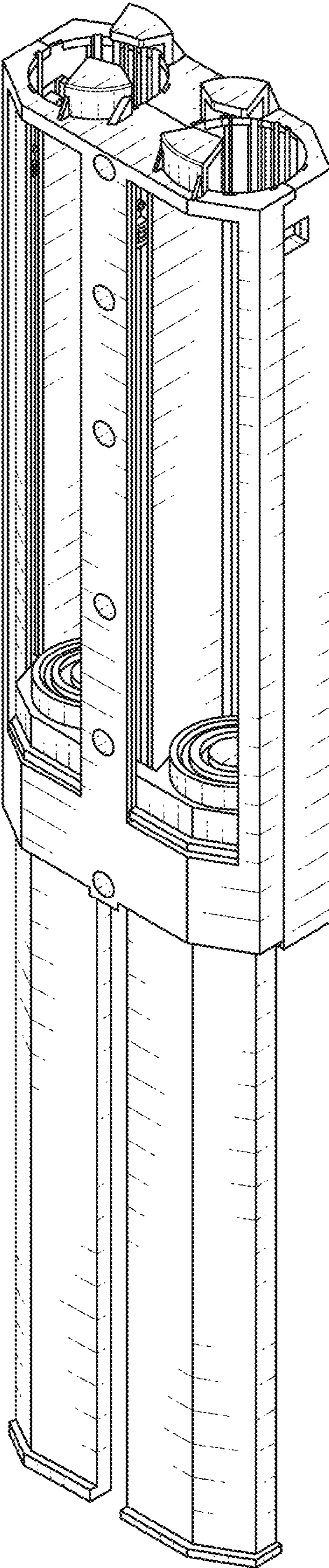


FIG. 8

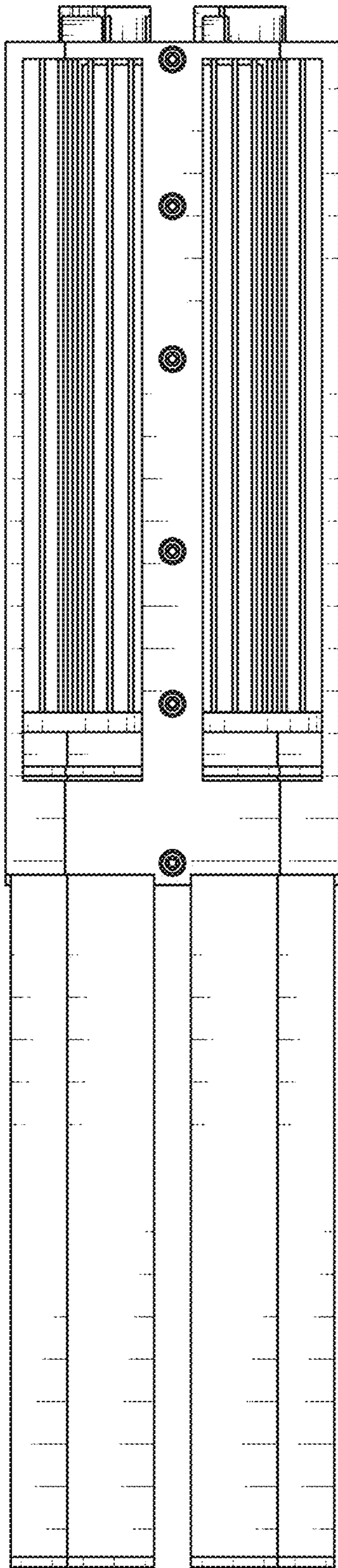


FIG. 9

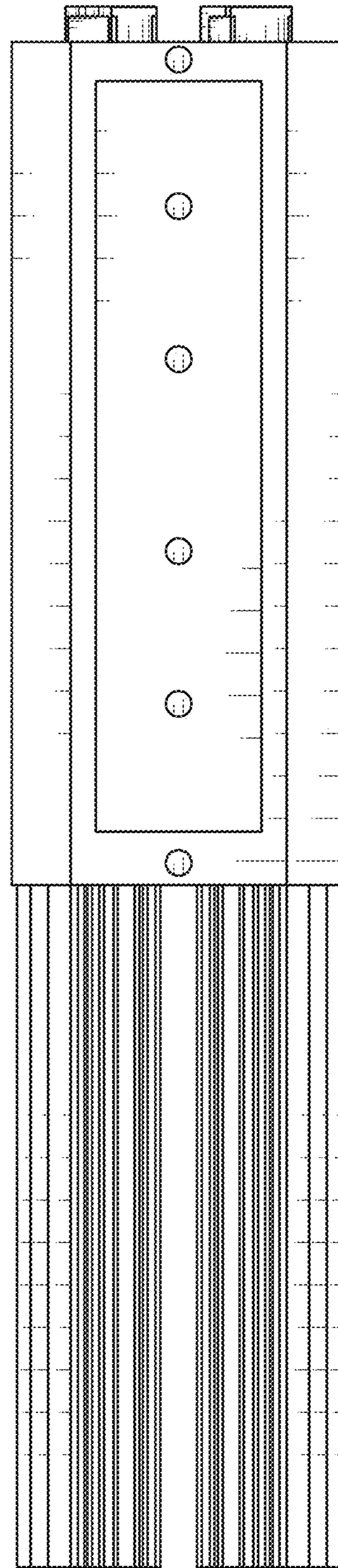


FIG. 10

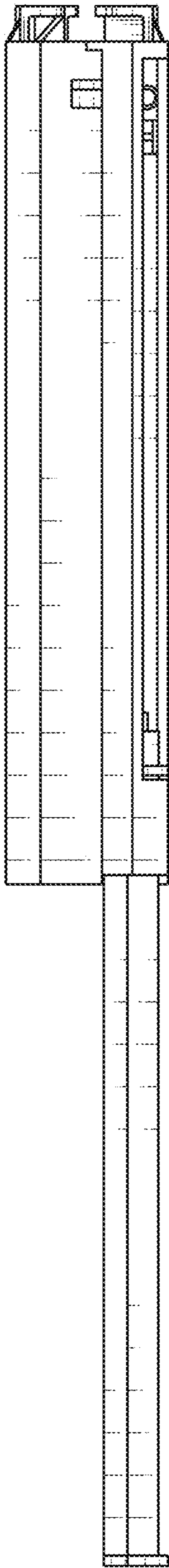


FIG. 11

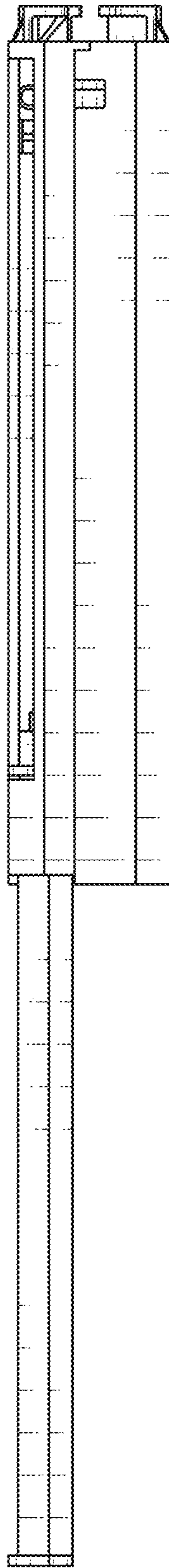


FIG. 12

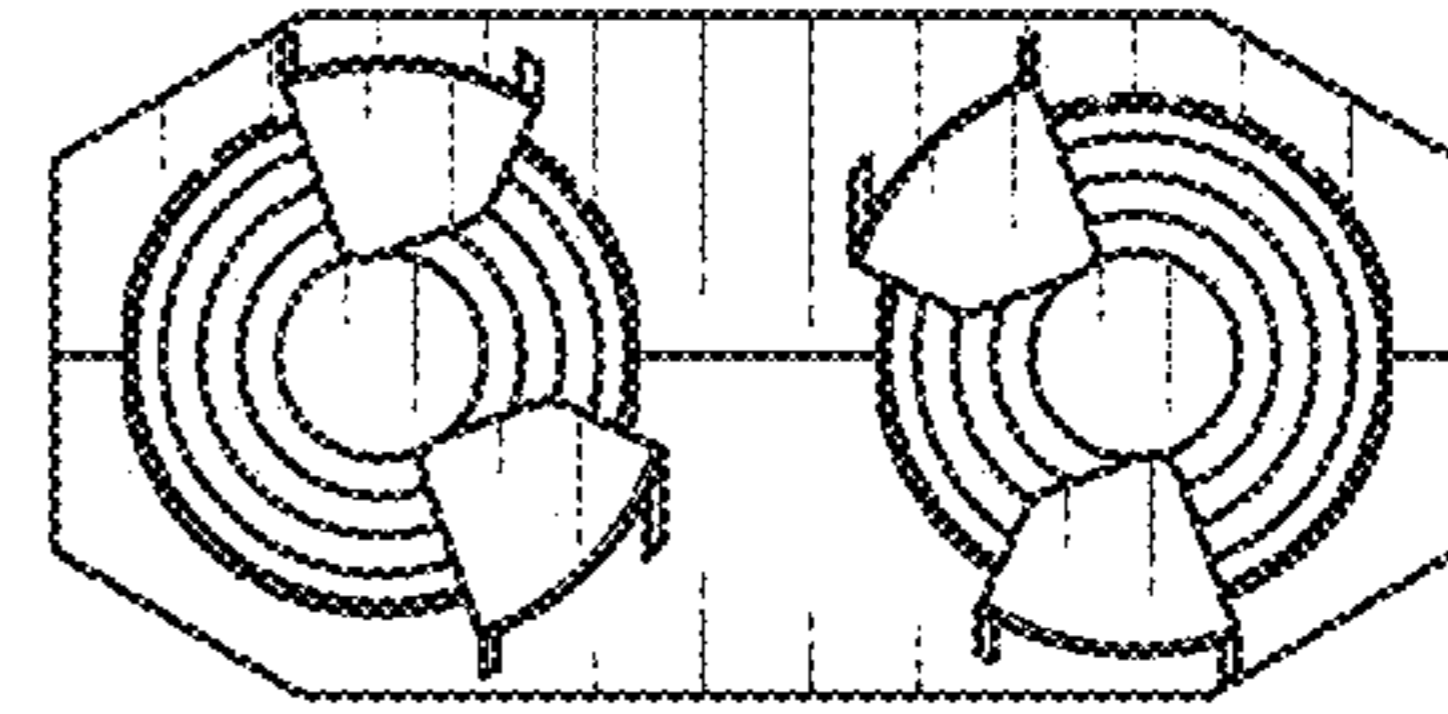


FIG. 13

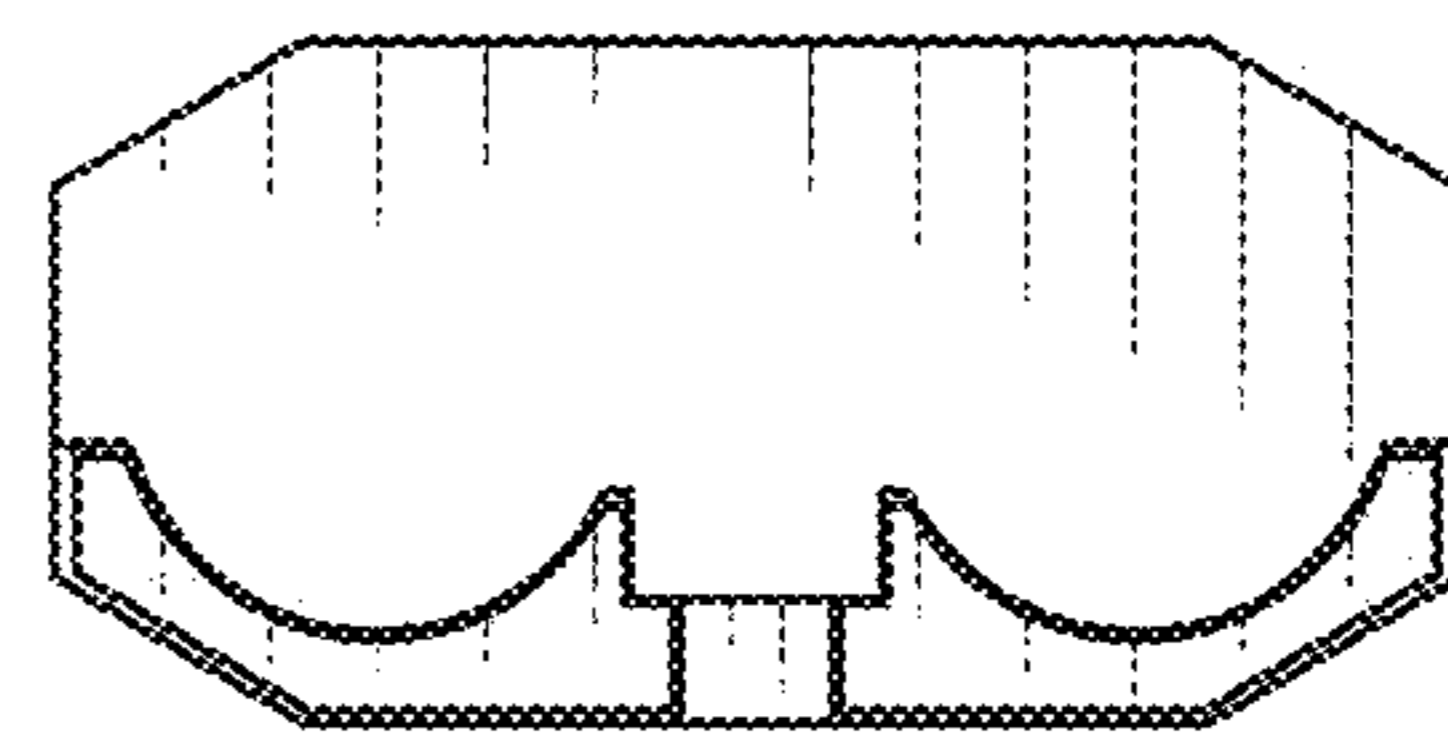


FIG. 14

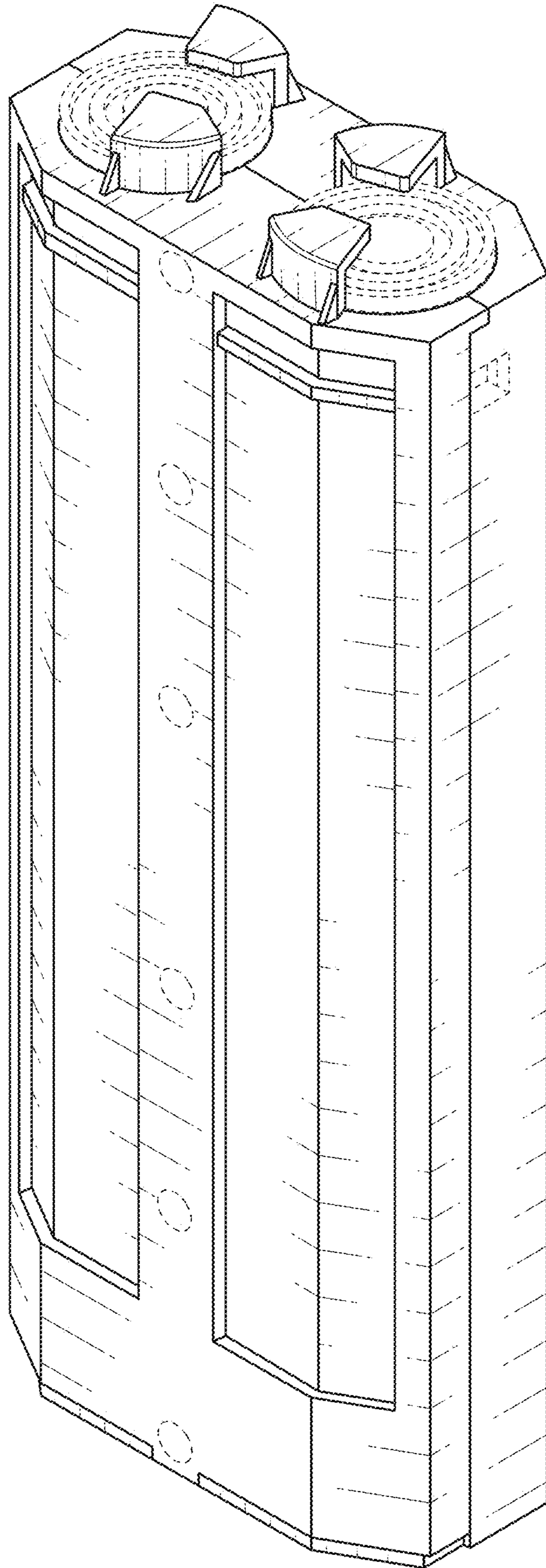


FIG. 15

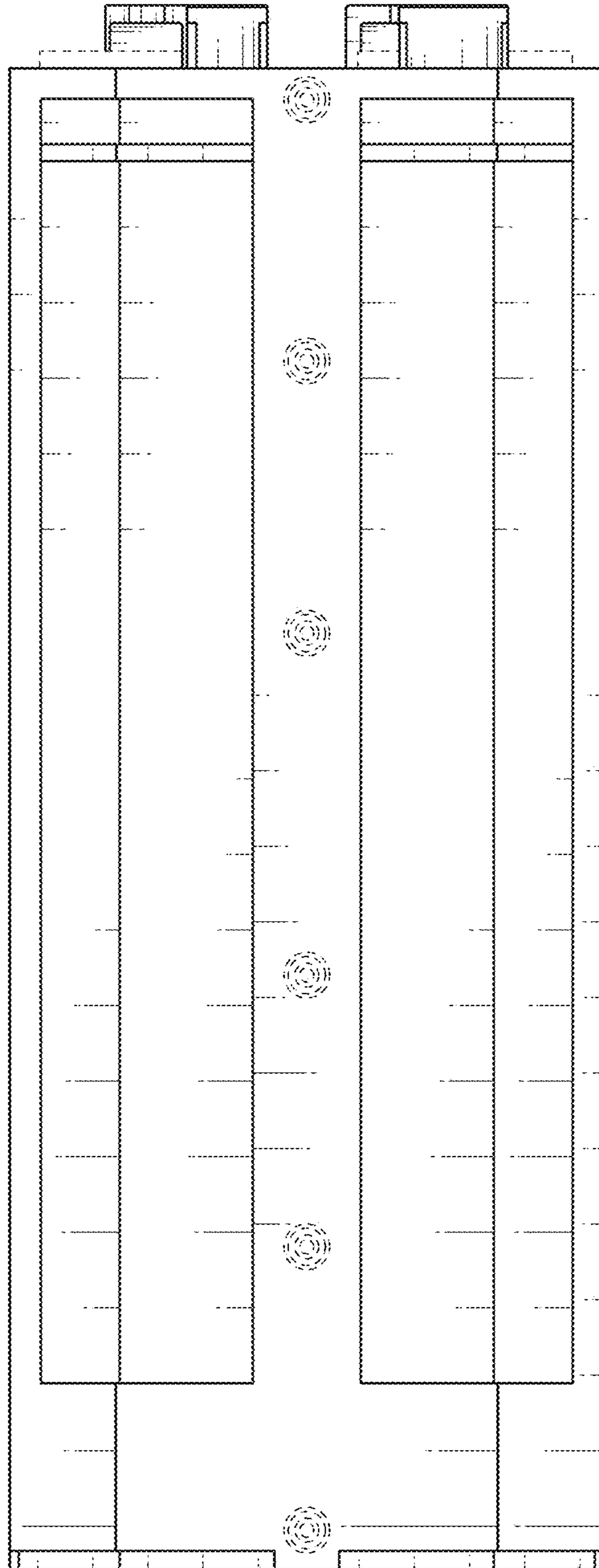


FIG. 16

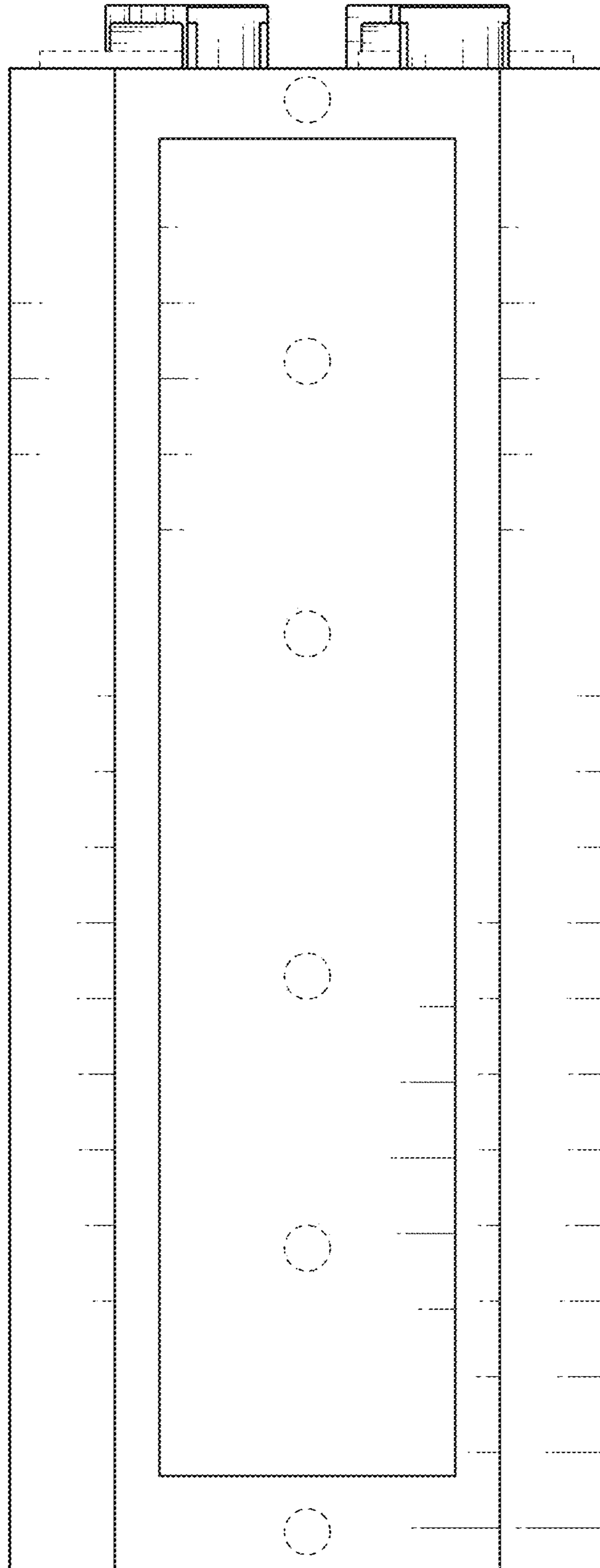


FIG. 17

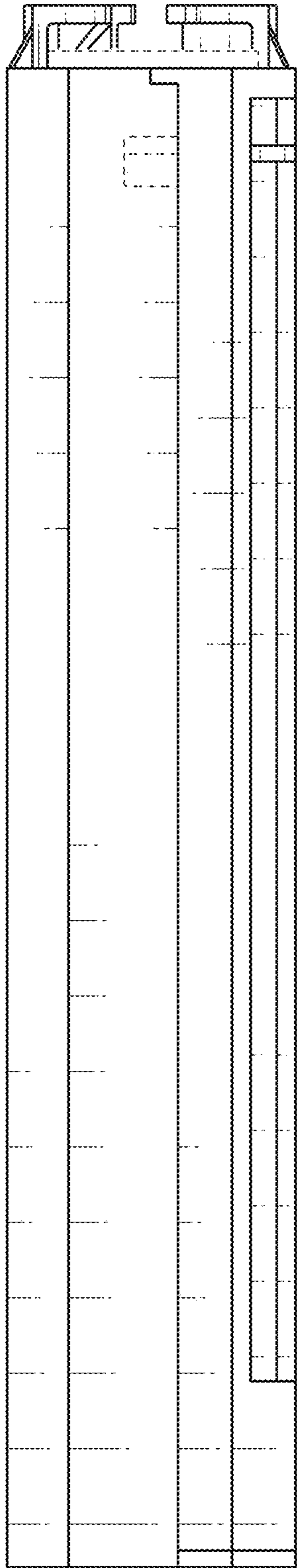


FIG. 18

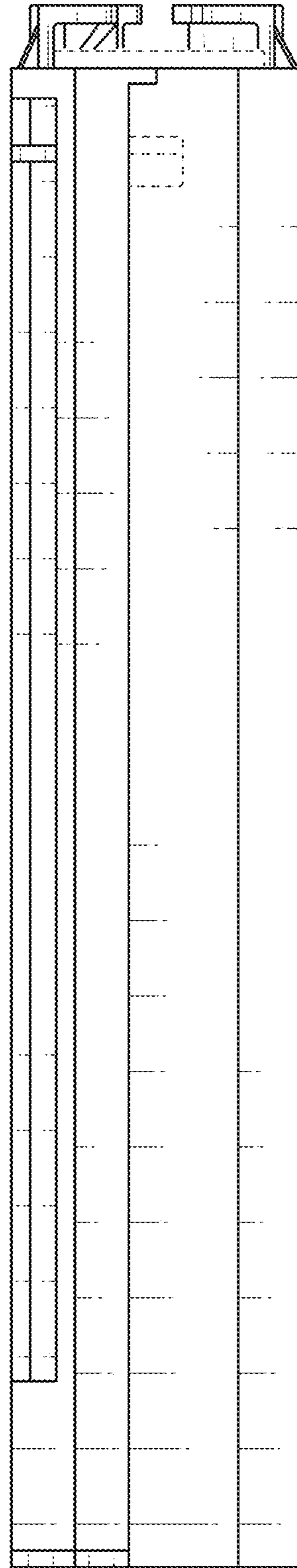


FIG. 19

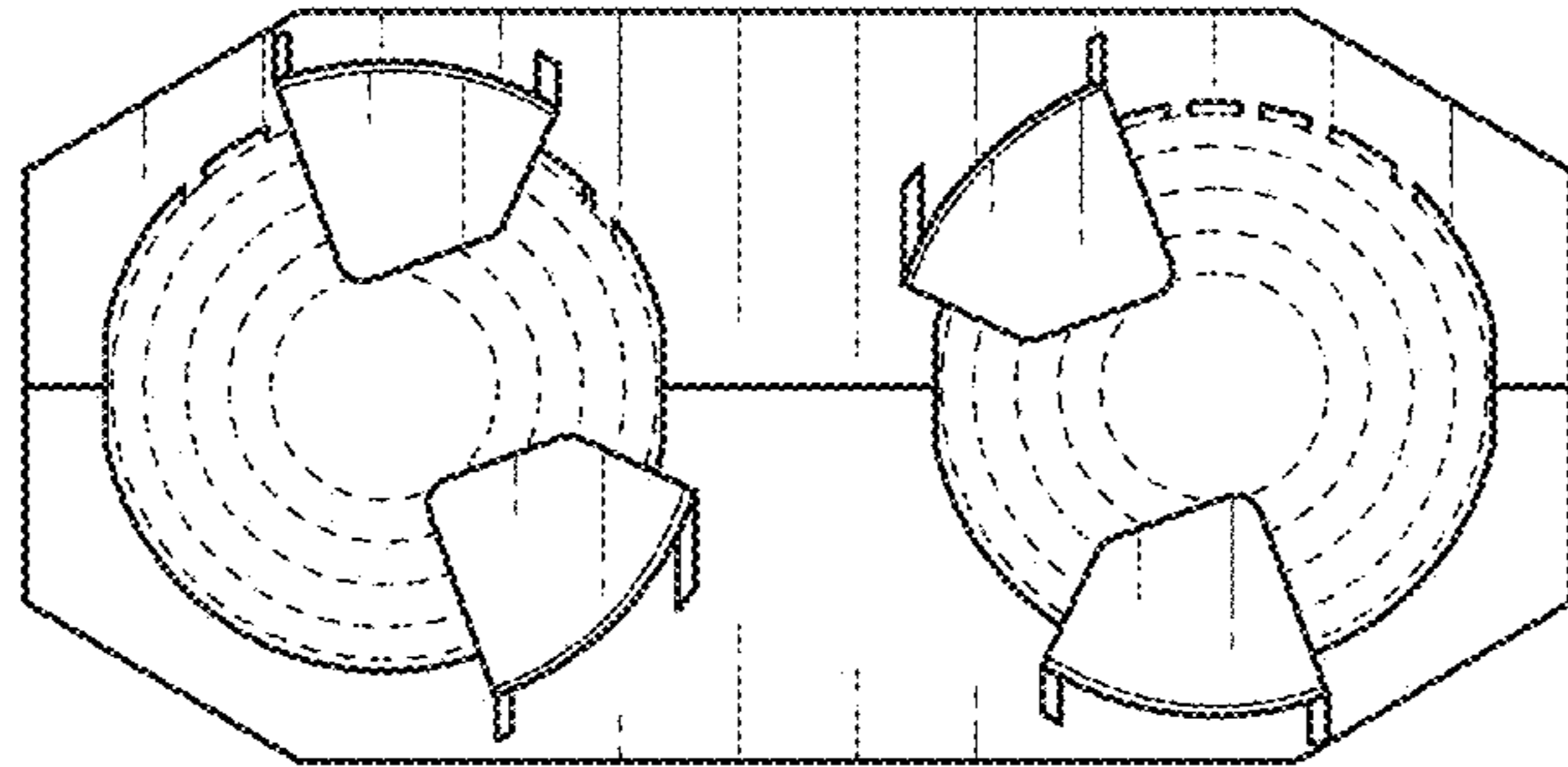


FIG. 20

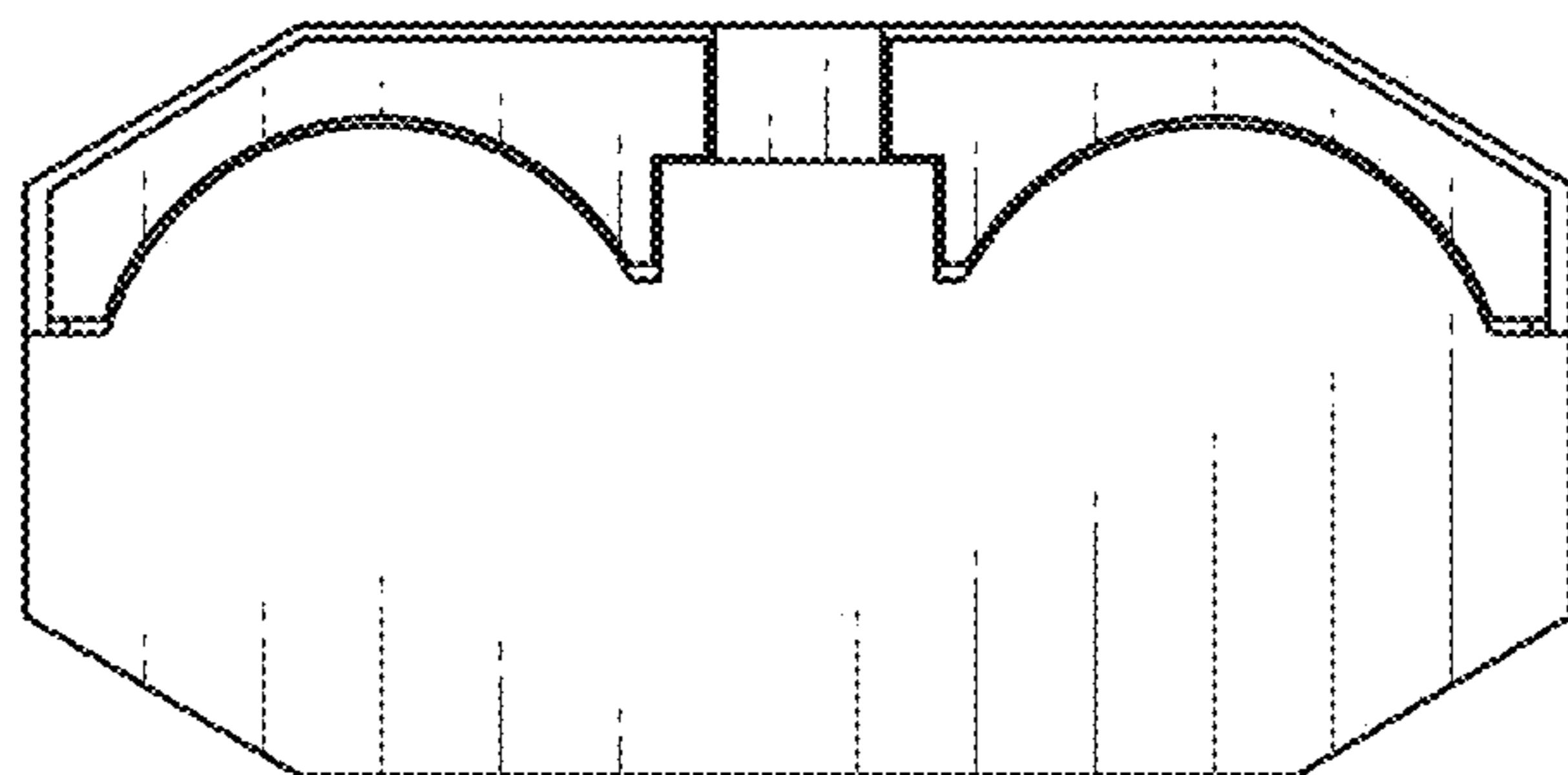


FIG. 21

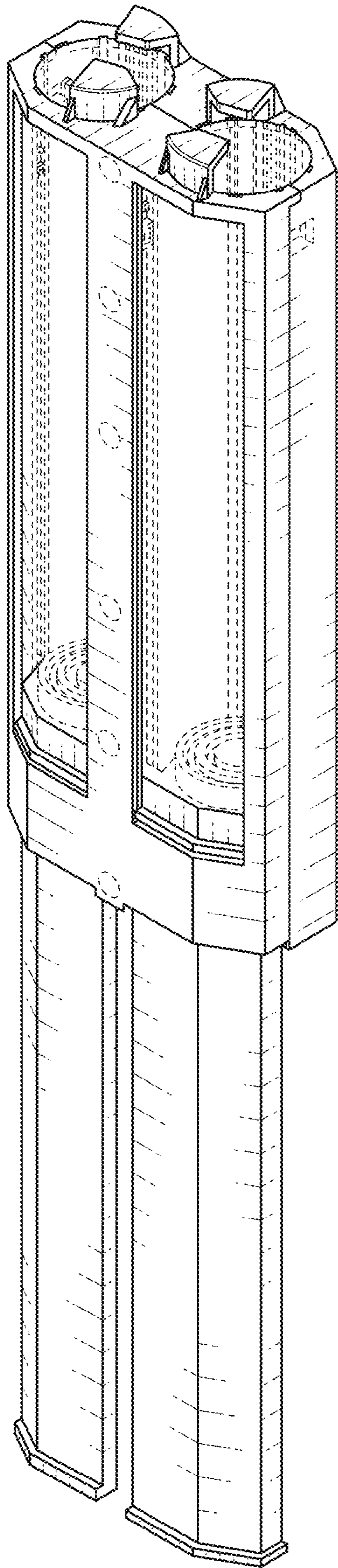


FIG. 22

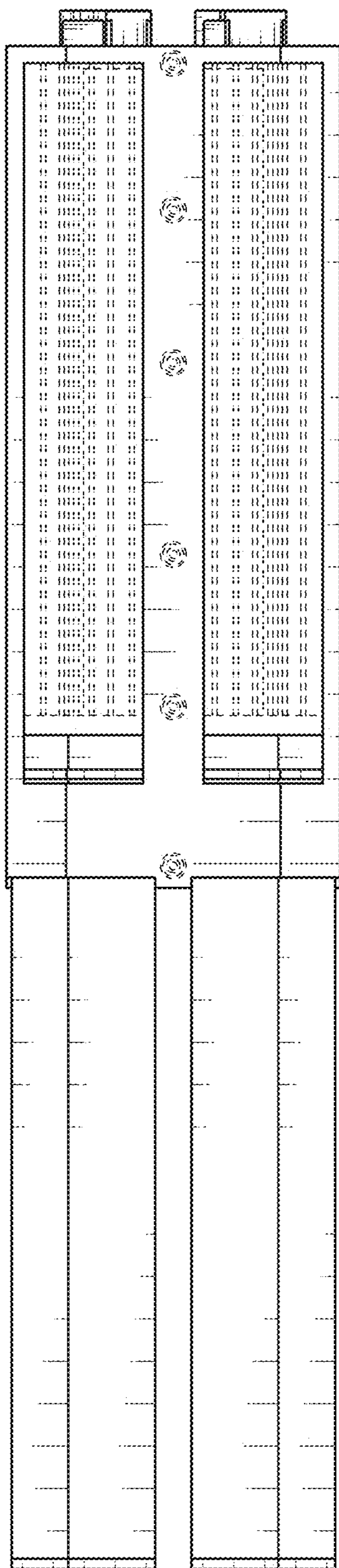


FIG. 23

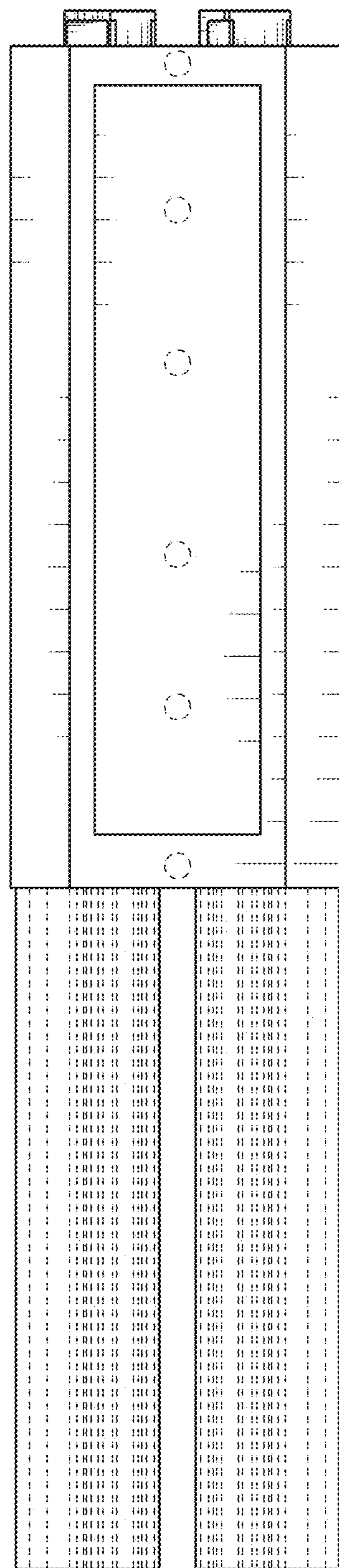


FIG. 24

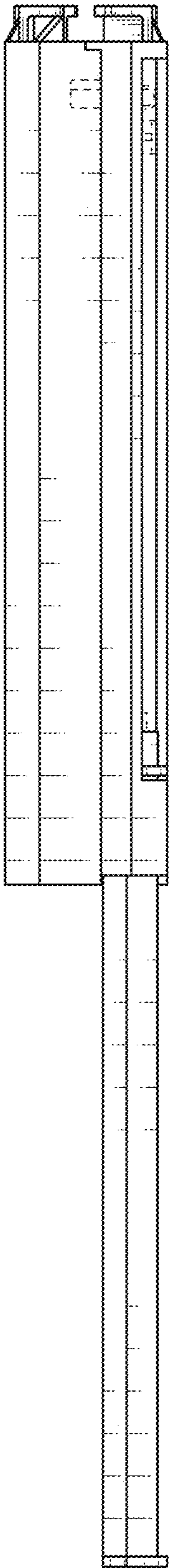


FIG. 25

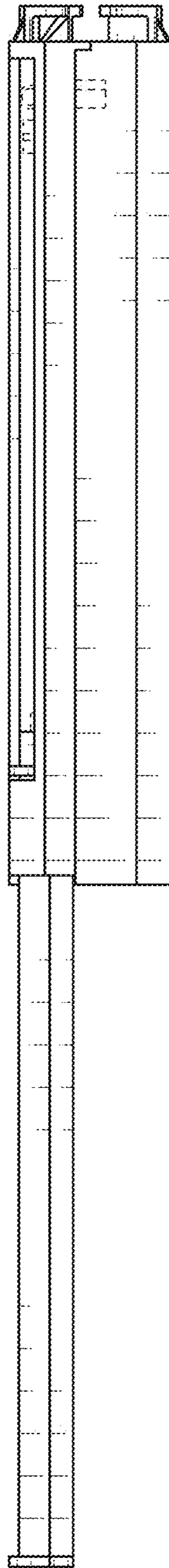


FIG. 26

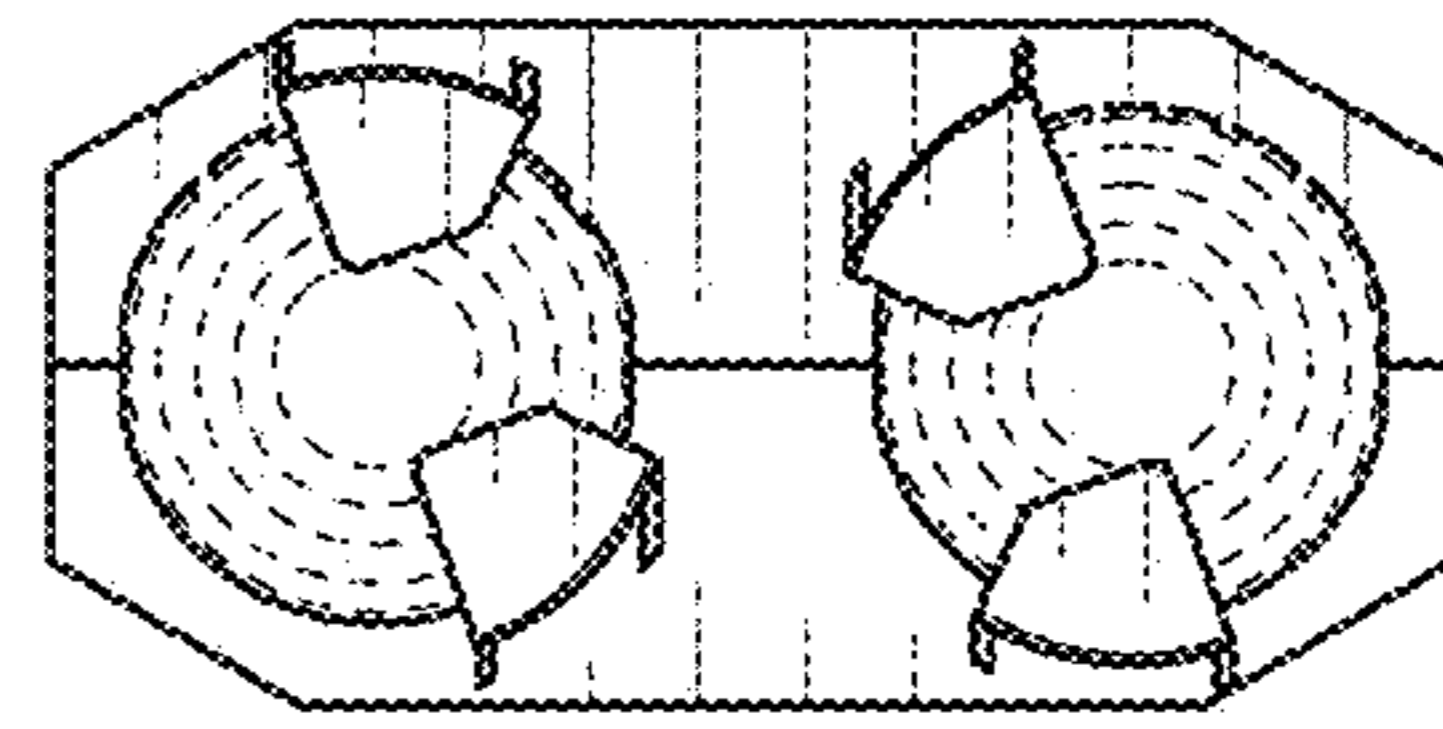


FIG. 27

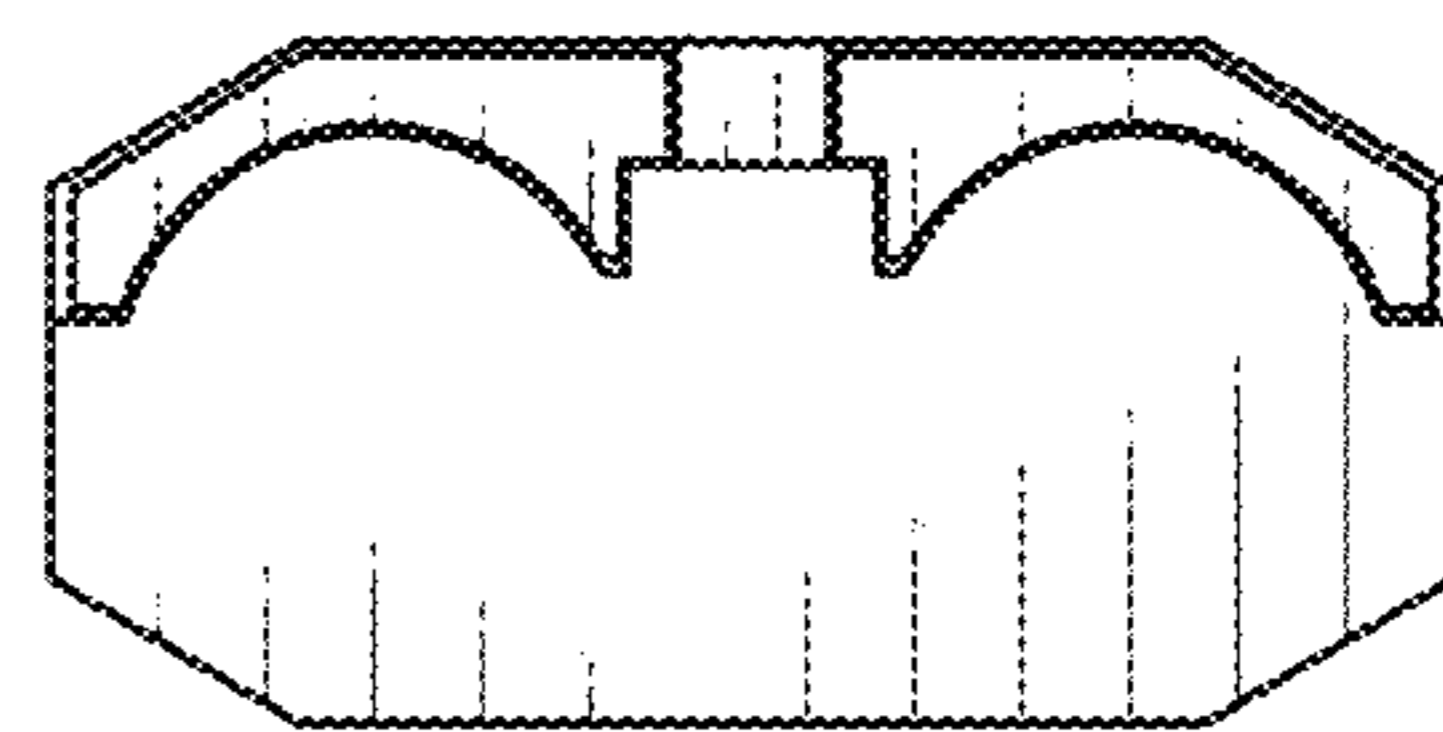


FIG. 28