



US00D967288S

(12) **United States Design Patent** (10) **Patent No.:** **US D967,288 S**
Li (45) **Date of Patent:** **** Oct. 18, 2022**

(54) **REMOTE CONTROL TOY CAR**

(71) Applicant: **Qichun Li**, Shantou (CN)

(72) Inventor: **Qichun Li**, Shantou (CN)

(**) Term: **15 Years**

(21) Appl. No.: **29/830,266**

(22) Filed: **Mar. 11, 2022**

(51) **LOC (13) Cl.** **21-01**

(52) **U.S. Cl.**
USPC **D21/550**

(58) **Field of Classification Search**
USPC D21/433, 533, 548, 549, 550, 560, 561
CPC A63H 17/00; A63H 17/004; A63H 17/25
See application file for complete search history.

(56) **References Cited**

U.S. PATENT DOCUMENTS

D317,024 S *	5/1991	Yajima	D21/550
D318,081 S *	7/1991	Yoshino	D21/550
D318,924 S *	8/1991	Yoshino	D21/550
D320,821 S *	10/1991	Mochizuki	D21/550
D322,102 S *	12/1991	Araki	D21/550

D496,409 S *	9/2004	Tilbor	D21/559
D871,512 S	12/2019	Cai		
D897,452 S *	9/2020	Lin	D21/552
D897,453 S	9/2020	Zhang		
D936,158 S	11/2021	Huang		
D936,755 S *	11/2021	Khubani	D21/549
D952,051 S *	5/2022	Xu	D21/550
D952,052 S *	5/2022	Xu	D21/550

* cited by examiner

Primary Examiner — Cynthia M. Chin

(74) *Attorney, Agent, or Firm* — Zhihua Han

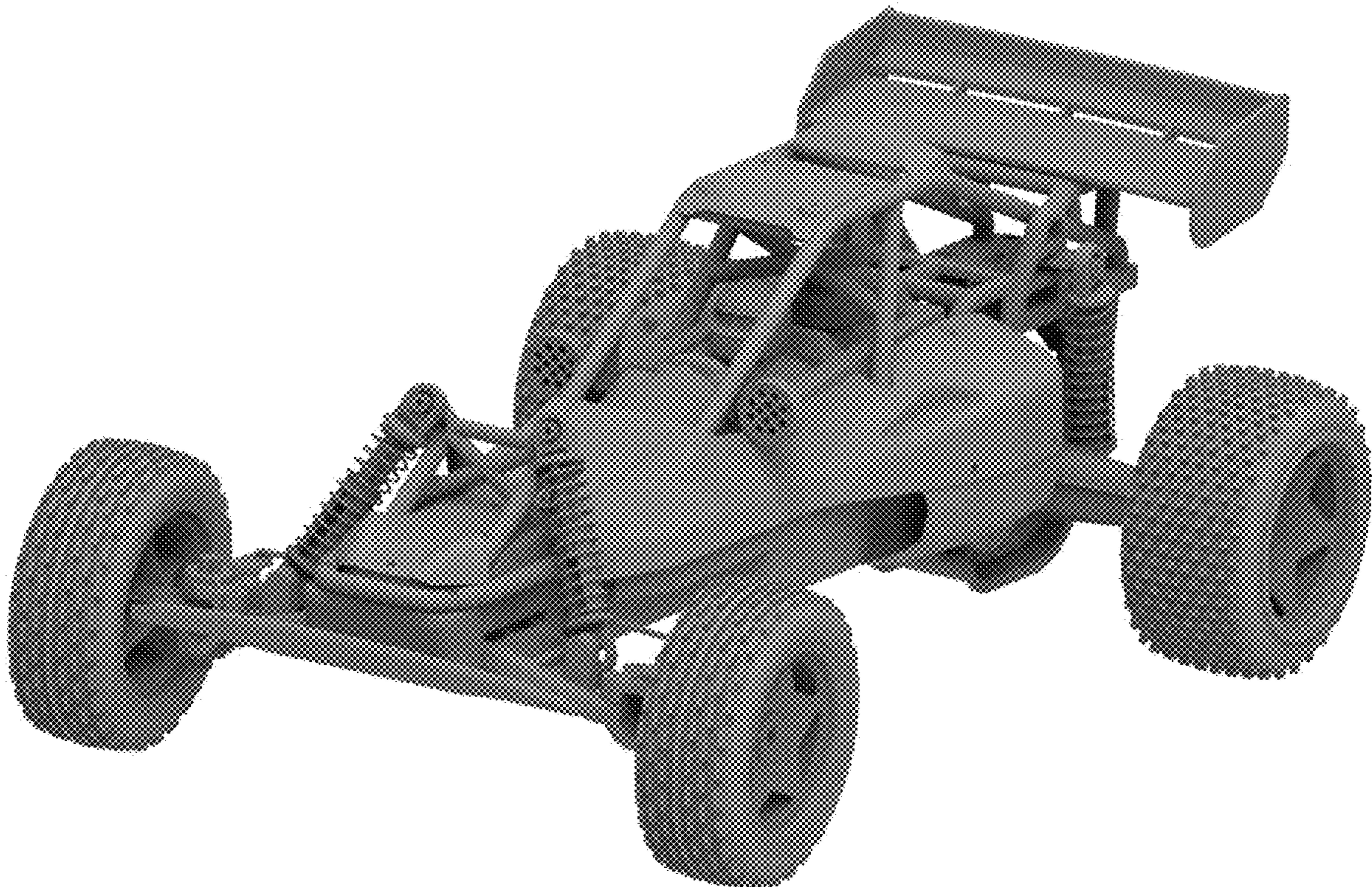
(57) **CLAIM**

The ornamental design for a remote control toy car, as shown and described.

DESCRIPTION

FIG. 1 is a first perspective view of a remote control toy car showing my new design;
FIG. 2 is a second perspective view thereof;
FIG. 3 is a front view thereof;
FIG. 4 is a back view thereof;
FIG. 5 is a left side view thereof;
FIG. 6 is a right side view thereof;
FIG. 7 is a top view thereof; and,
FIG. 8 is a bottom view thereof.

1 Claim, 8 Drawing Sheets



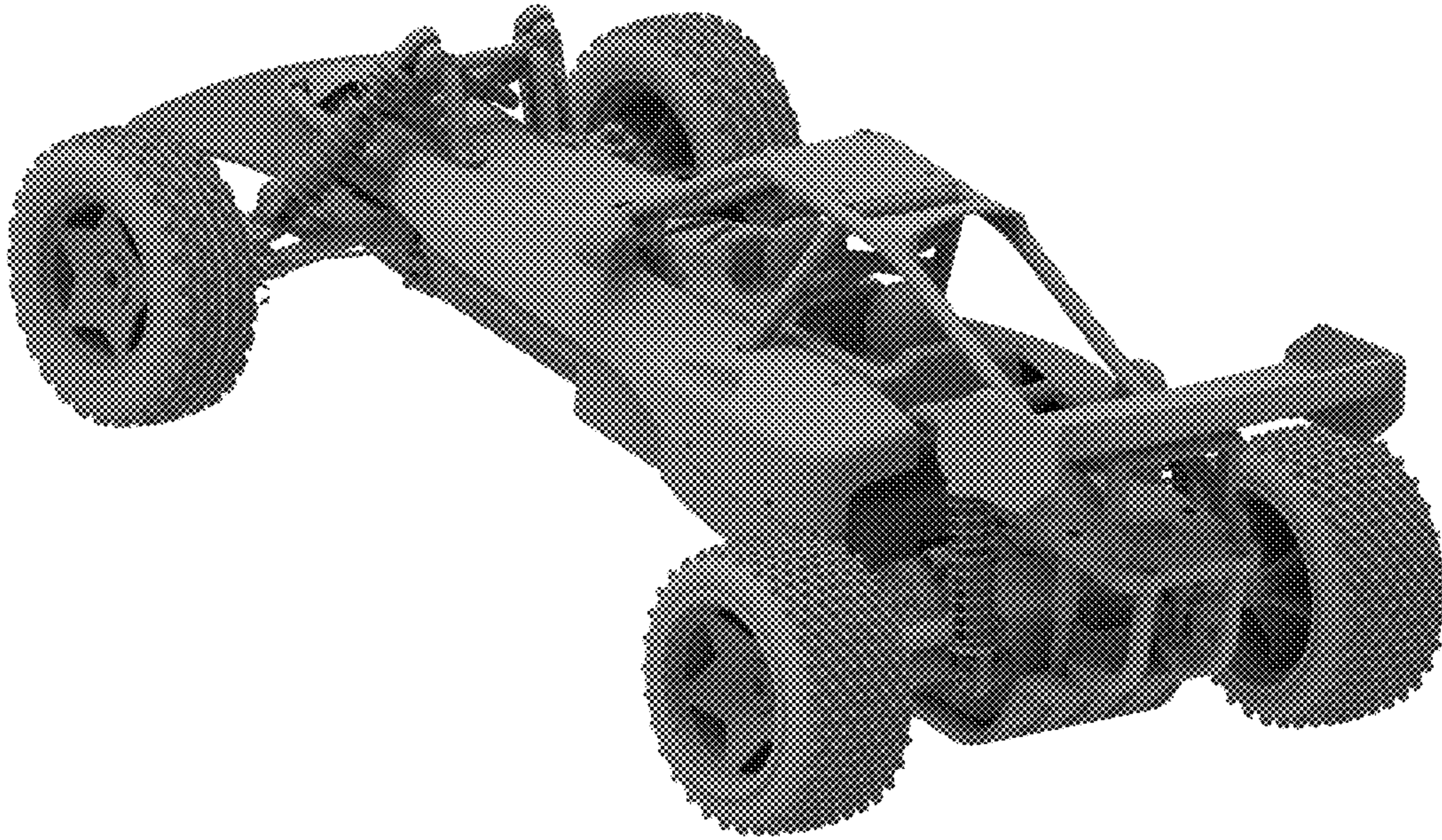


FIG. 1

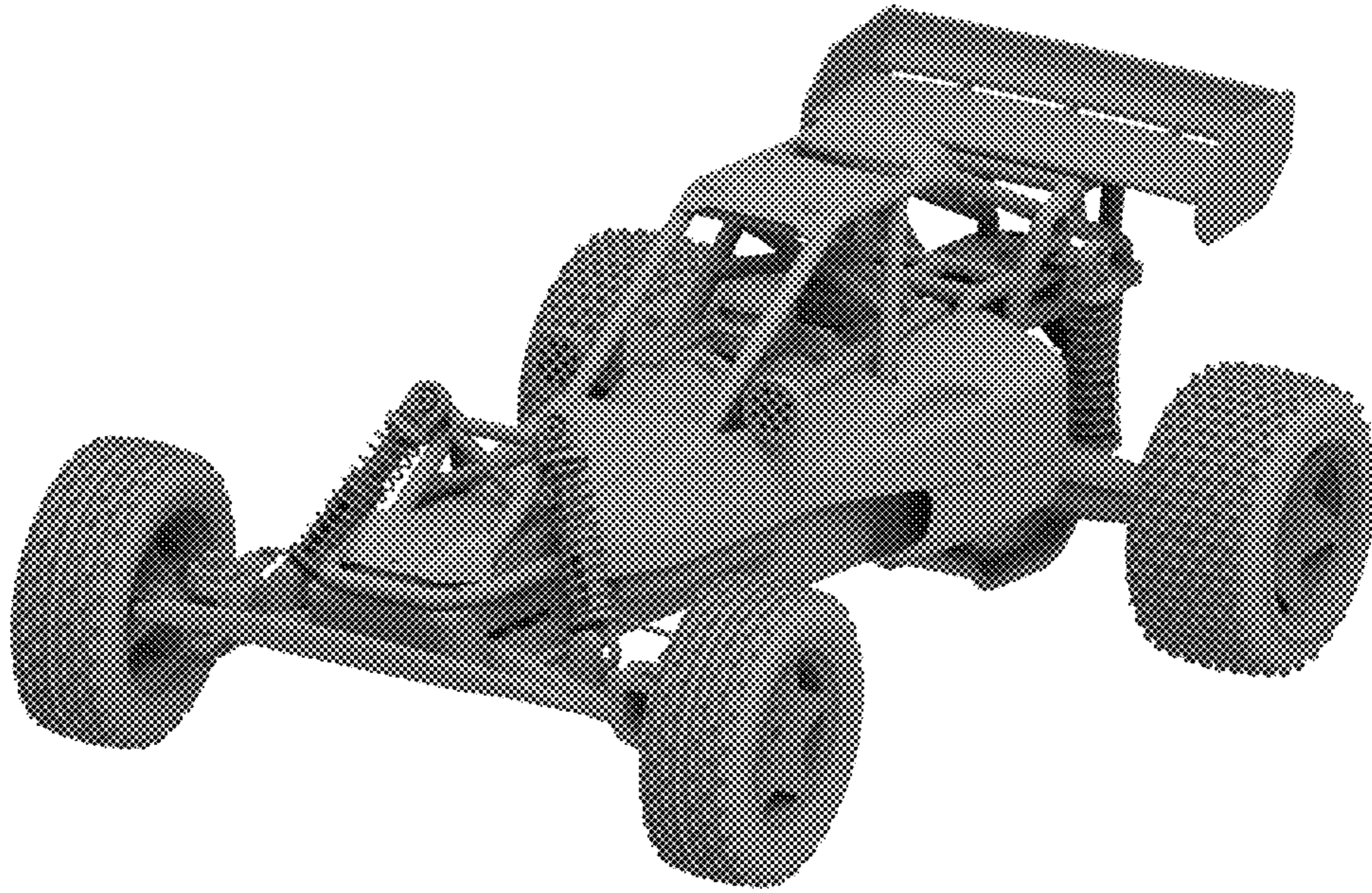


FIG. 2

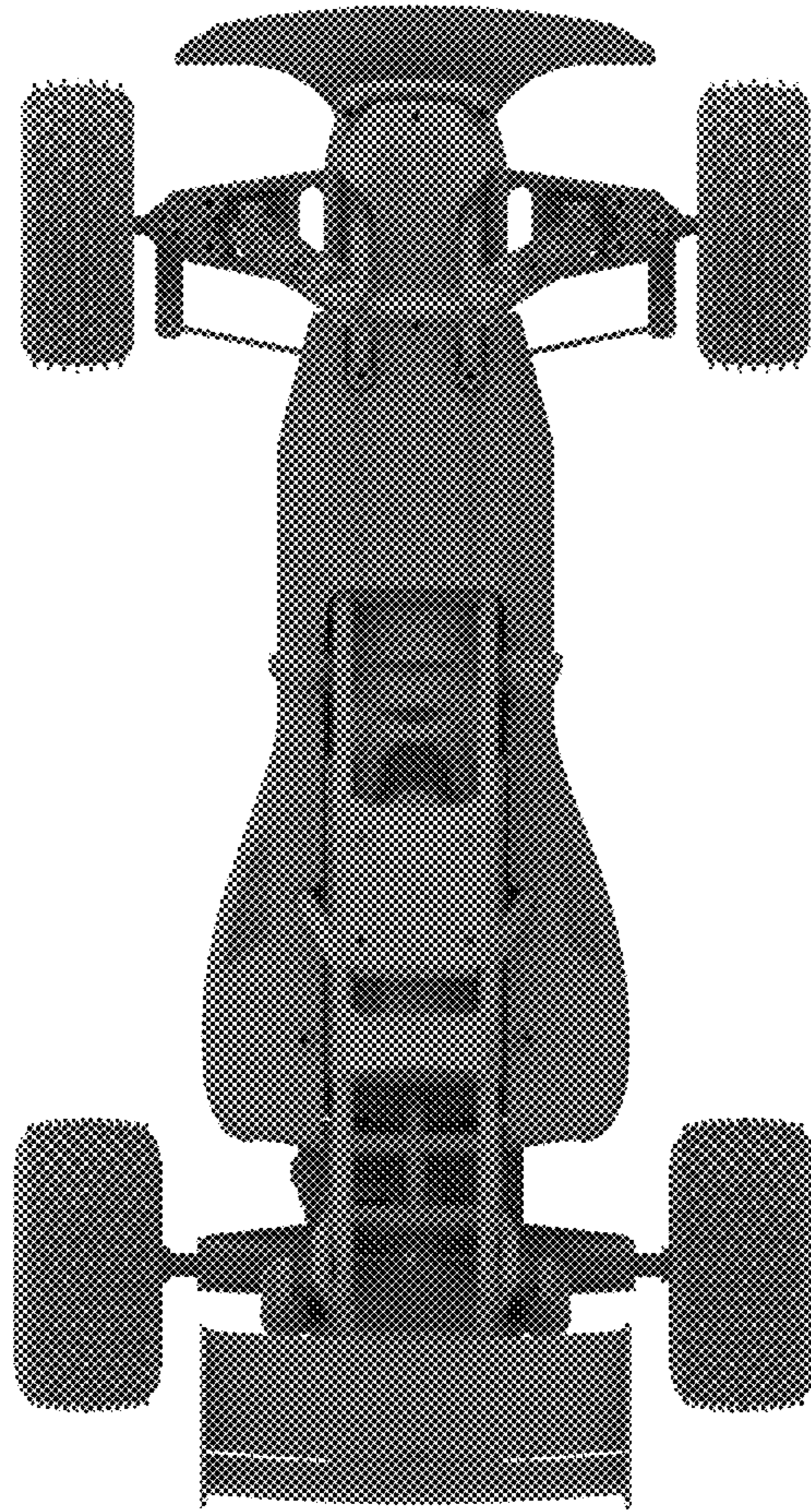


FIG. 3

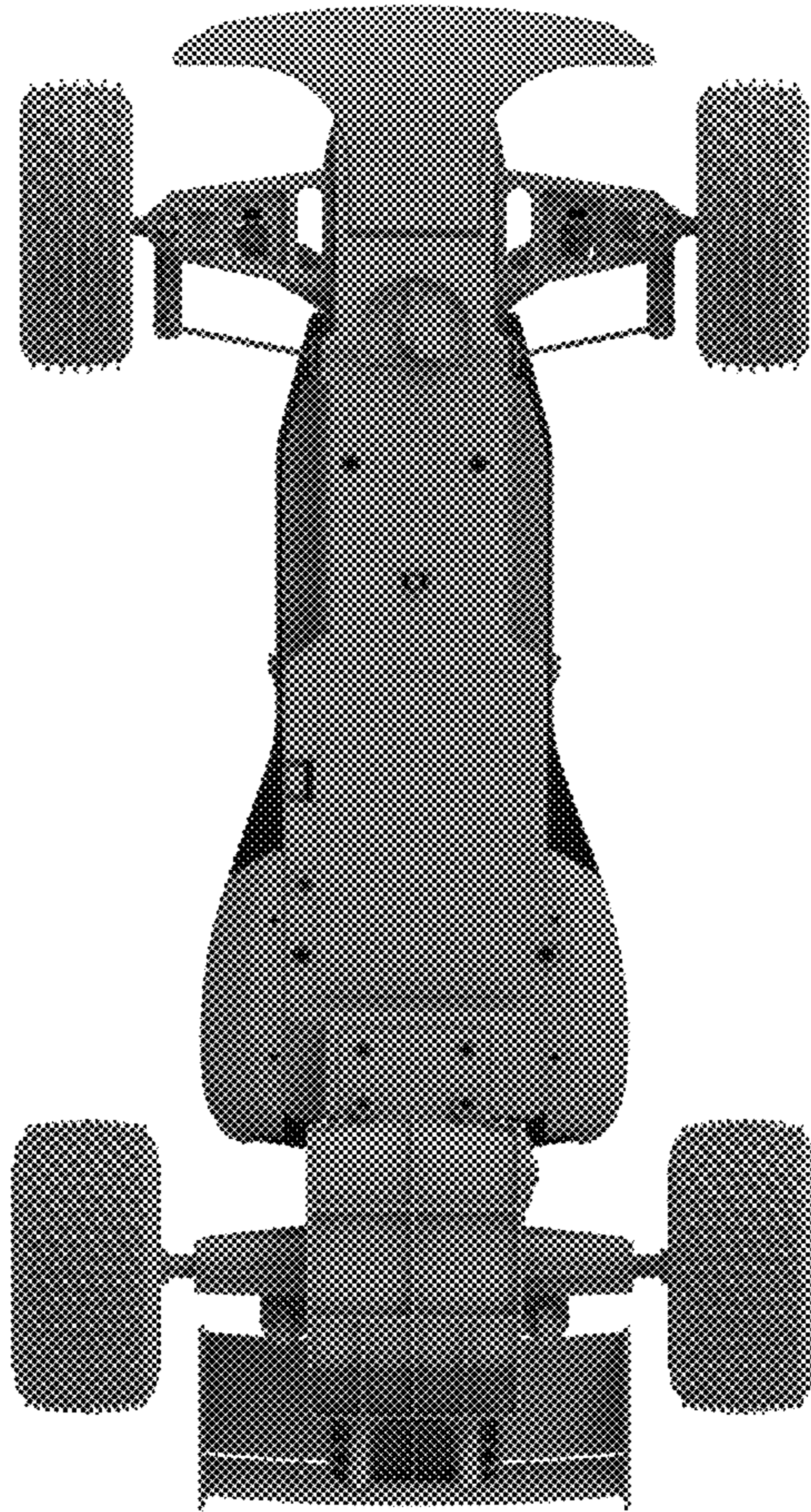


FIG. 4

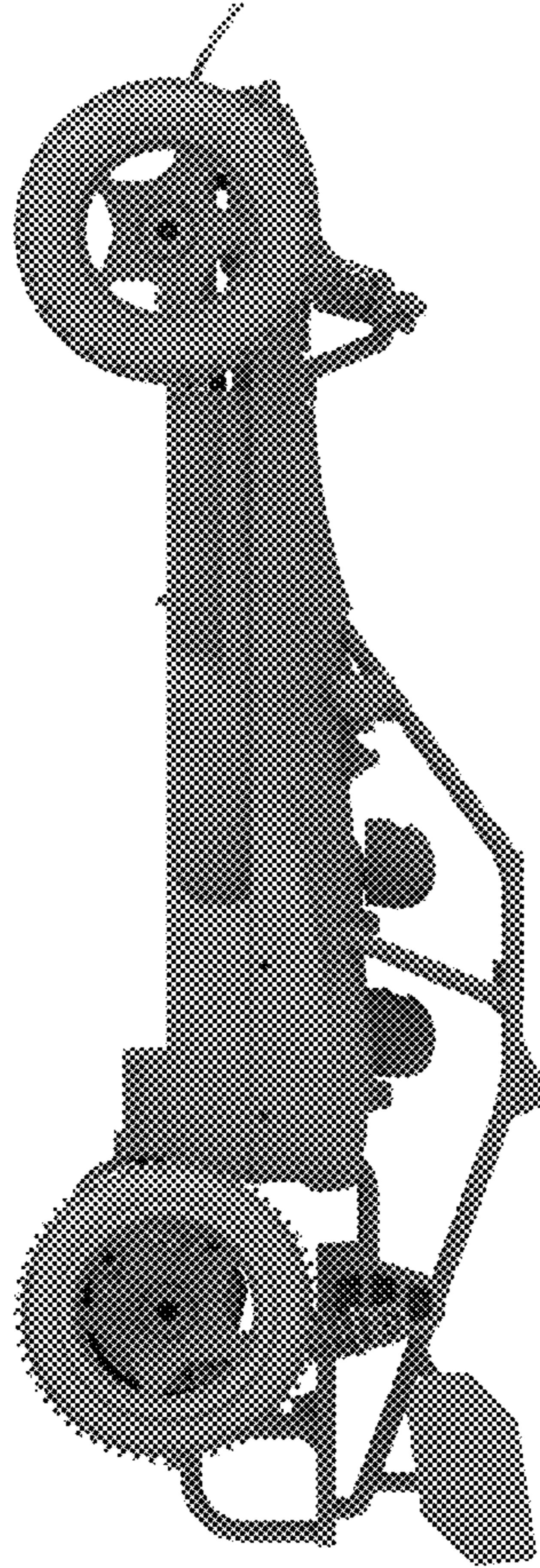


FIG. 5

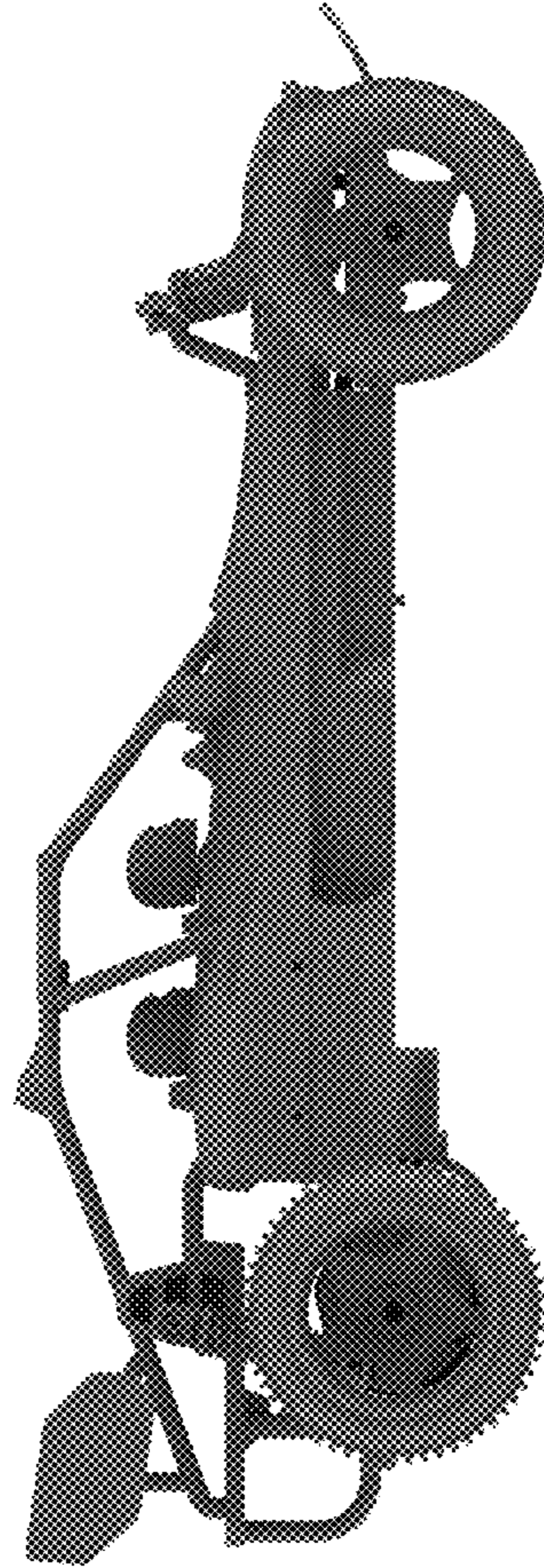


FIG. 6

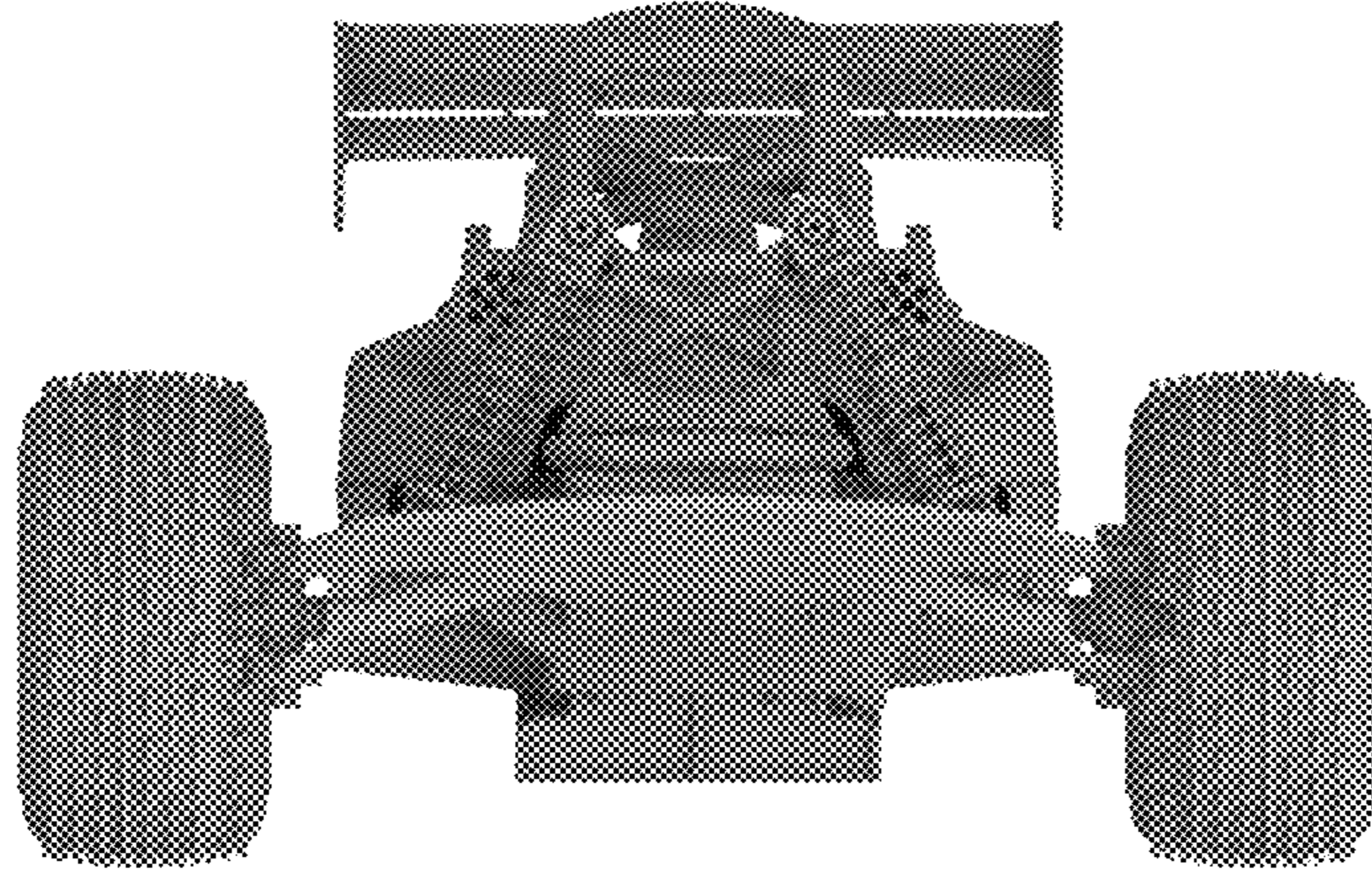


FIG. 7

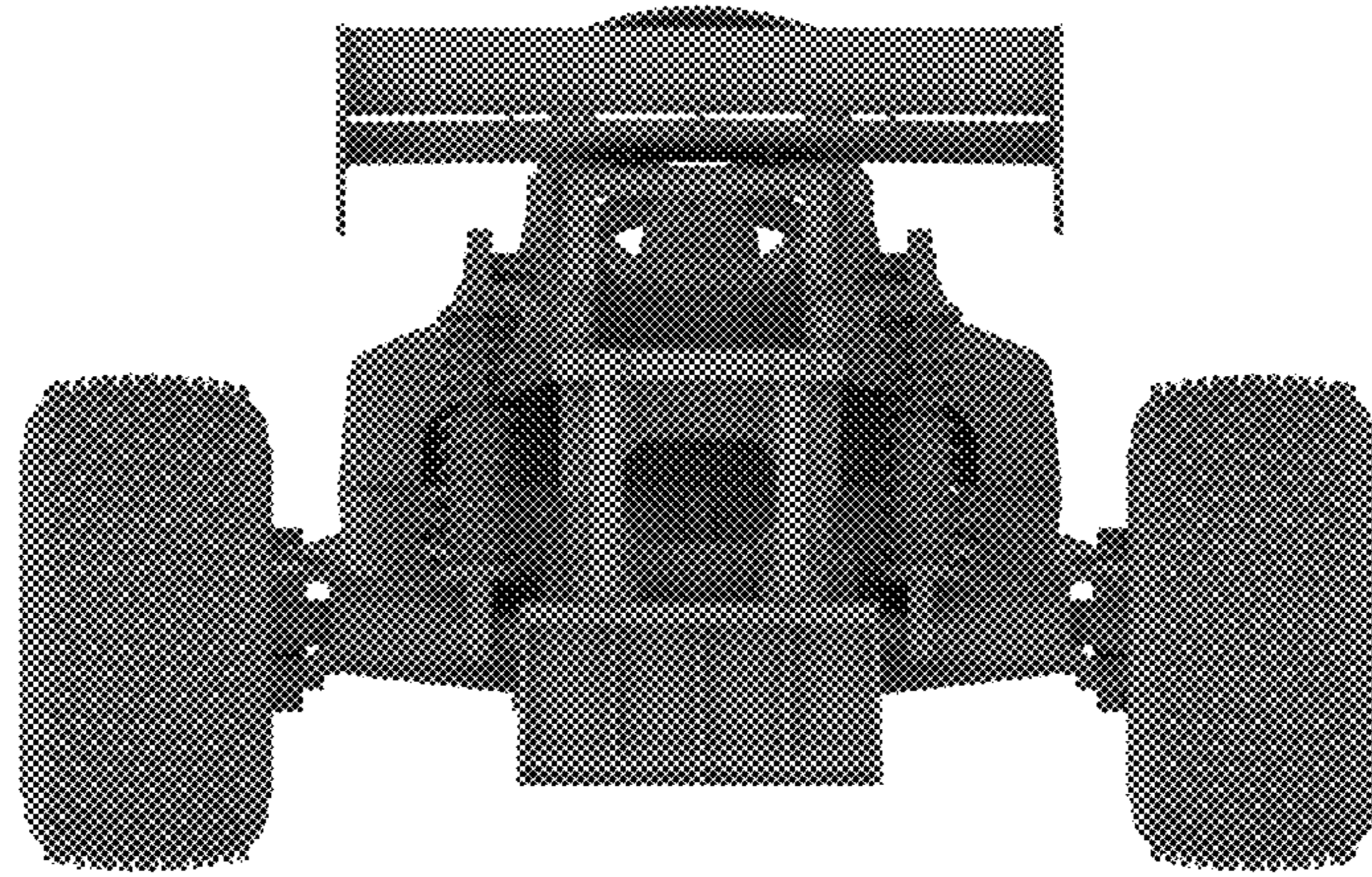


FIG. 8