



US00D967287S

(12) **United States Design Patent** (10) **Patent No.:** **US D967,287 S**
Wu (45) **Date of Patent:** **** Oct. 18, 2022**

(54) **ROLLING TOY**
(71) Applicant: **Changli Wu, Linyi (CN)**
(72) Inventor: **Changli Wu, Linyi (CN)**
(73) Assignee: **Yiwu Ledou Pet Products Co., Ltd., Yiwu (CN)**
(**) Term: **15 Years**
(21) Appl. No.: **29/806,904**
(22) Filed: **Sep. 8, 2021**
(30) **Foreign Application Priority Data**
Mar. 16, 2021 (CN) 202130140208.4
(51) **LOC (13) Cl.** **21-01**
(52) **U.S. Cl.**
USPC **D21/533; D30/160**
(58) **Field of Classification Search**
USPC D21/533, 578; D30/122, 160
CPC A01K 15/02; A01K 15/021; A01K 15/025;
A63H 11/00; A63H 30/04
See application file for complete search history.

(56) **References Cited**
U.S. PATENT DOCUMENTS
D294,278 S * 2/1988 Ukisu D21/560
6,158,391 A * 12/2000 Simonetti A01K 15/025
119/702
7,056,185 B1 * 6/2006 Anagnostou B62D 61/00
180/218
7,631,613 B2 * 12/2009 Lescroart A01K 5/0114
119/51.01
D810,391 S 2/2018 Sunvold
D821,041 S 6/2018 Buessler
10,524,453 B2 * 1/2020 Stone A01K 5/02
D892,879 S * 8/2020 Suh D15/199
D899,014 S 10/2020 Wolfe, Jr. et al.

D915,007 S * 3/2021 Chen D30/160
D925,136 S * 7/2021 Lin D30/160
D952,966 S * 5/2022 Wang D30/160
D957,756 S * 7/2022 Wu D30/160
2007/0042673 A1 * 2/2007 Ishihara A63H 11/00
180/215
2010/0124868 A1 * 5/2010 Sip A63H 17/262
446/465
2016/0316719 A1 * 11/2016 Parness A01K 15/025
2019/0270026 A1 * 9/2019 Kaewkamnerdpong
B25J 11/0015
2020/0260686 A1 * 8/2020 Lee B60K 1/04
2021/0204516 A1 * 7/2021 Xu A63H 30/04
(Continued)

OTHER PUBLICATIONS

Nueplay Robotic Interactive Cat Toy, Date First Available: Sep. 1, 2020 [online], [site visited Jul. 16, 2021]. Available from Internet: <URL:https://www.amazon.com/dp/B08H5B24Y8/> (Year: 2020).*
(Continued)

Primary Examiner — Cynthia M. Chin

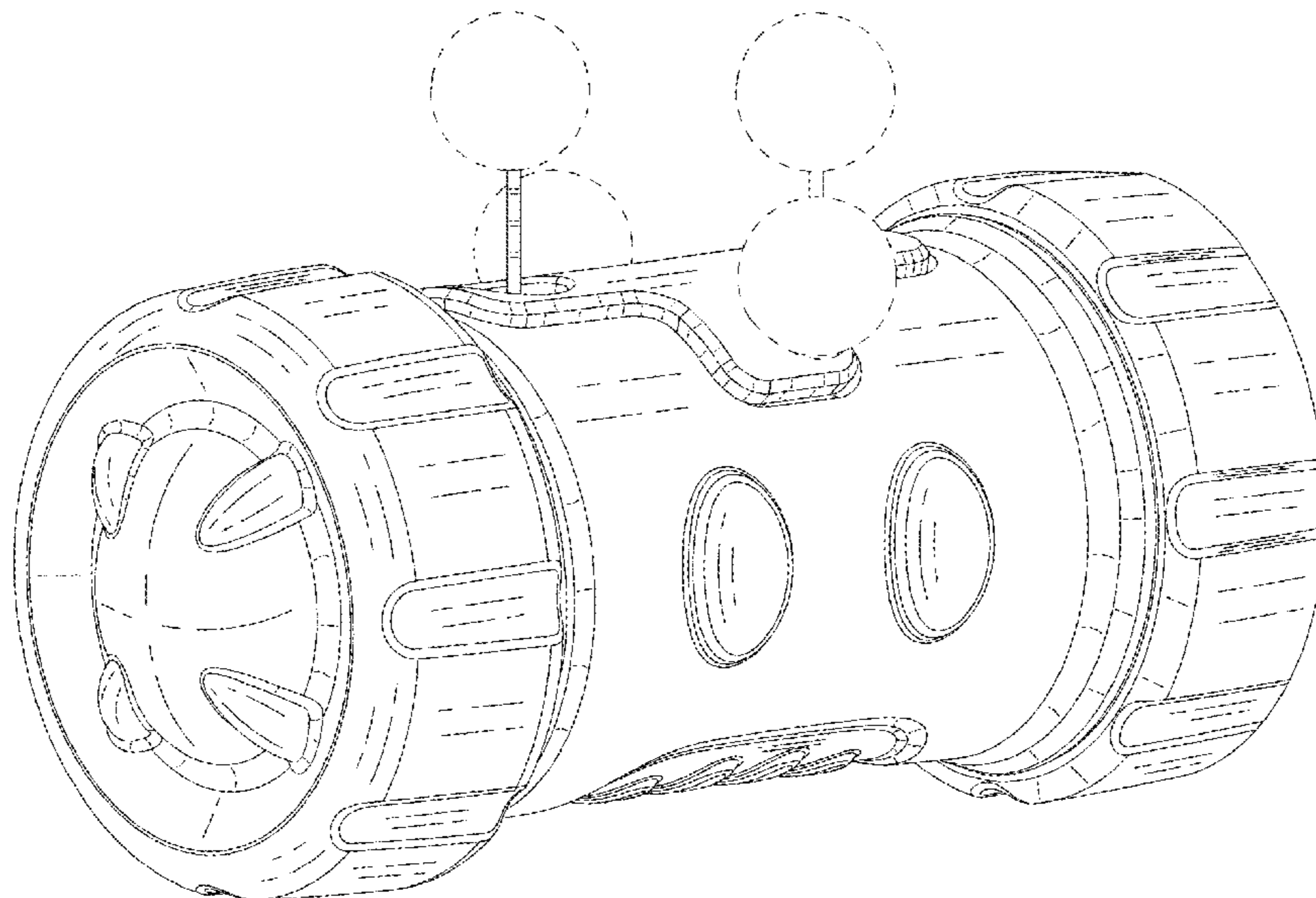
(57) **CLAIM**

The ornamental design for a rolling toy, as shown and described.

DESCRIPTION

FIG. 1 is a perspective view of a rolling toy showing my new design;
FIG. 2 is a front elevational view thereof;
FIG. 3 is a rear elevational view thereof;
FIG. 4 is a left side elevational view thereof;
FIG. 5 is a right side elevational view thereof;
FIG. 6 is a top plan view thereof; and,
FIG. 7 is a bottom plan view thereof.
The broken lines throughout the drawing figures depict portions of the rolling toy that form no part of the claimed design.

1 Claim, 7 Drawing Sheets



(56)

References Cited

U.S. PATENT DOCUMENTS

2021/0244000 A1* 8/2021 Suh A01K 15/02

OTHER PUBLICATIONS

BENTOPAL Automatic Cat Toys, Date First Available : Jan. 2, 2020 [online], [site visited Jul. 16, 2021]. Available from Internet: <URL:https://www.amazon.com/dp/B083DRQ96Y/> (Year: 2020).*

KONPCOIU Automatic Cat Feather Toy, Date First Available : Feb. 24, 2021 [online], [site visited Jul. 16, 2021]. Available from Internet: <URL: https://www.amazon.com/dp/B08XB1JHWB/> (Year: 2021).*

* cited by examiner

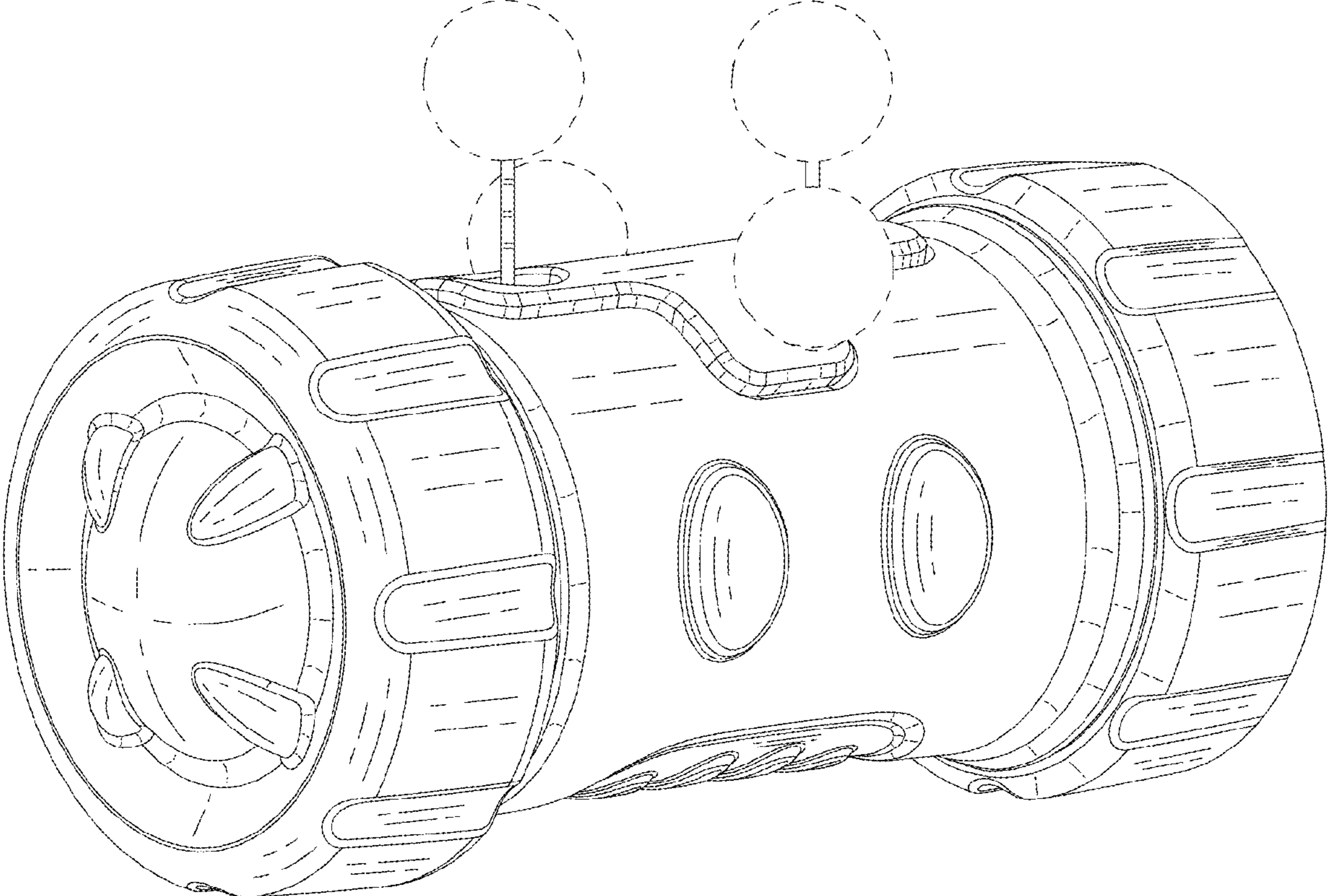


FIG.1

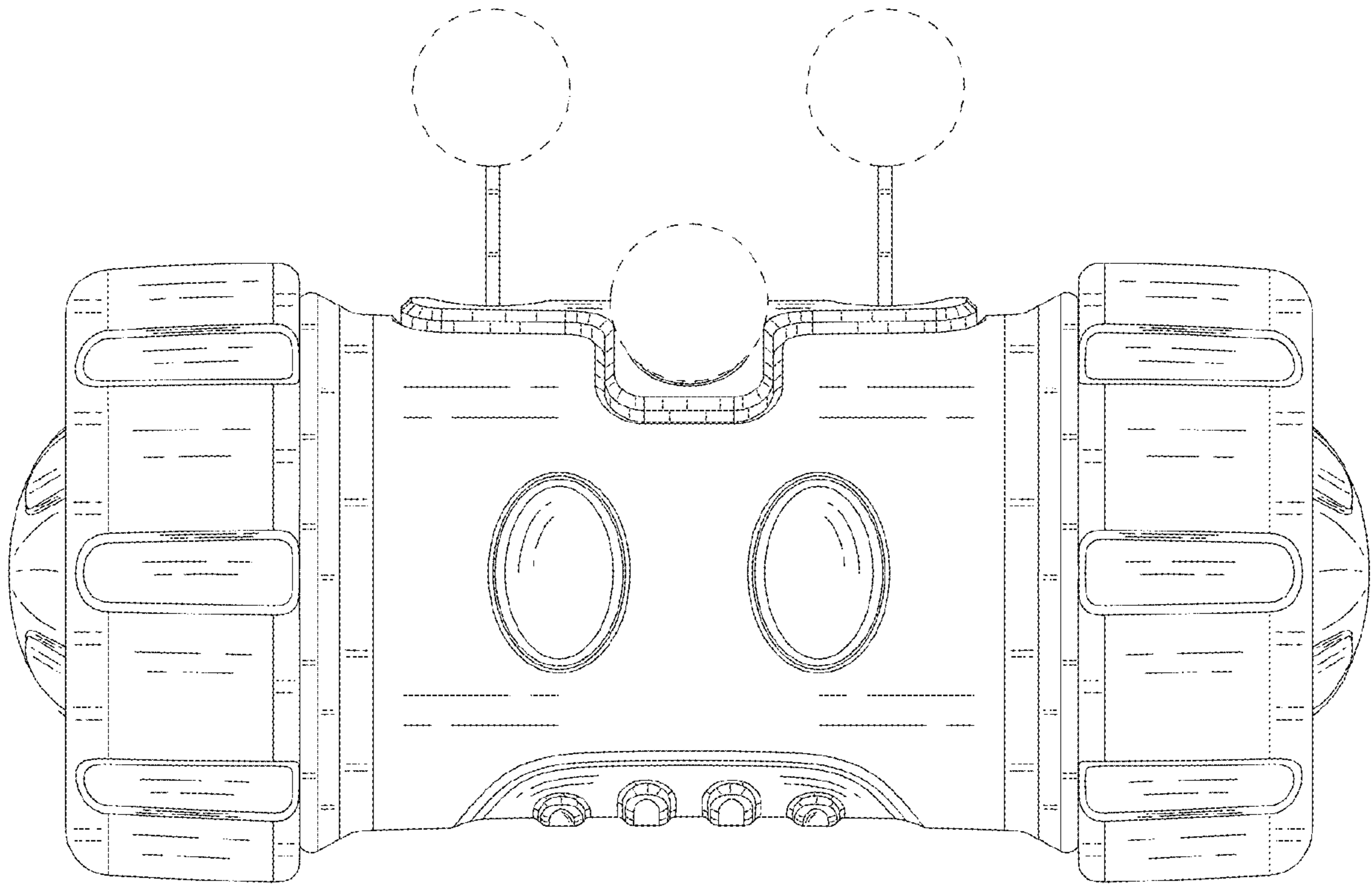


FIG.2

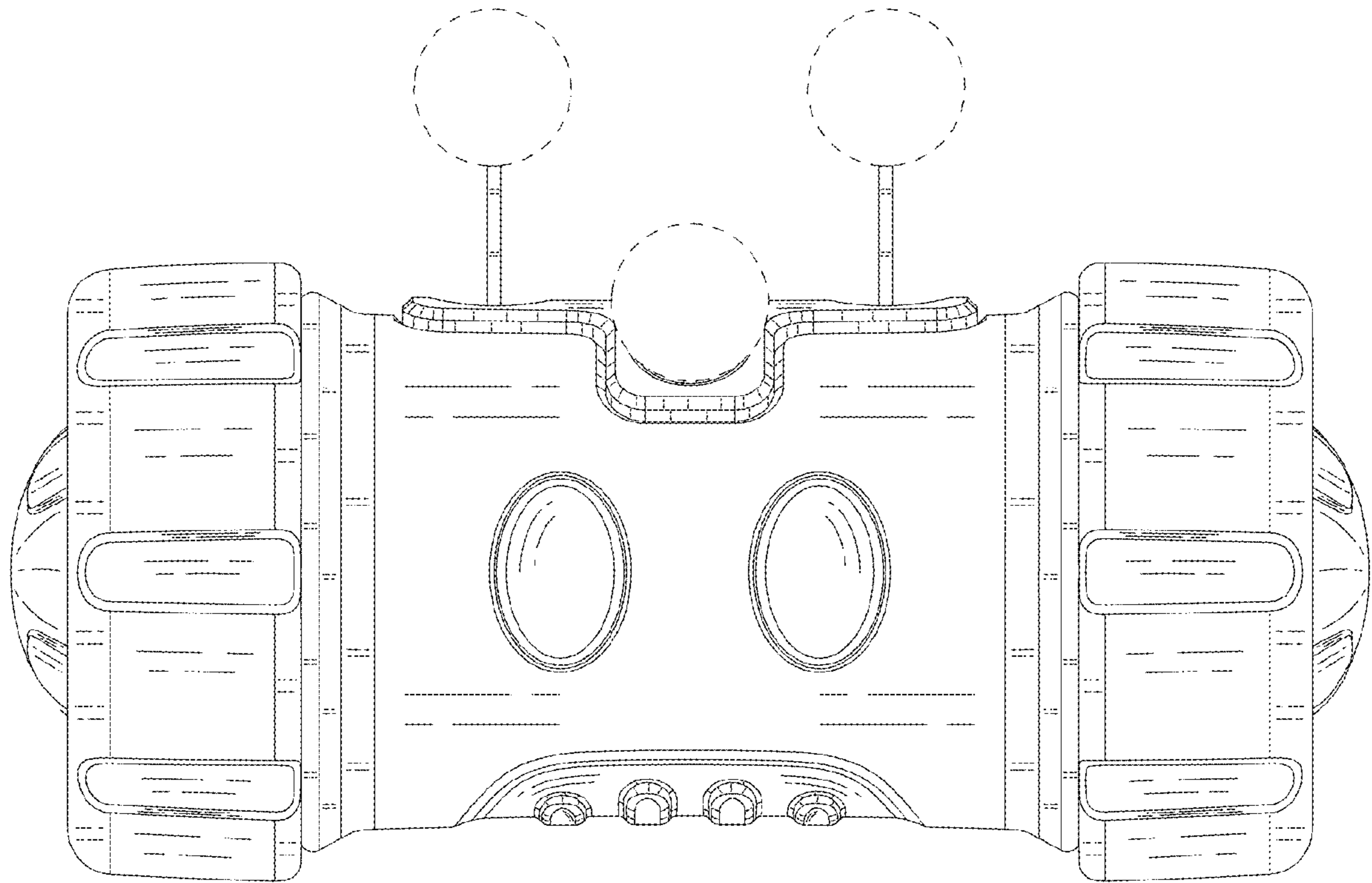


FIG.3

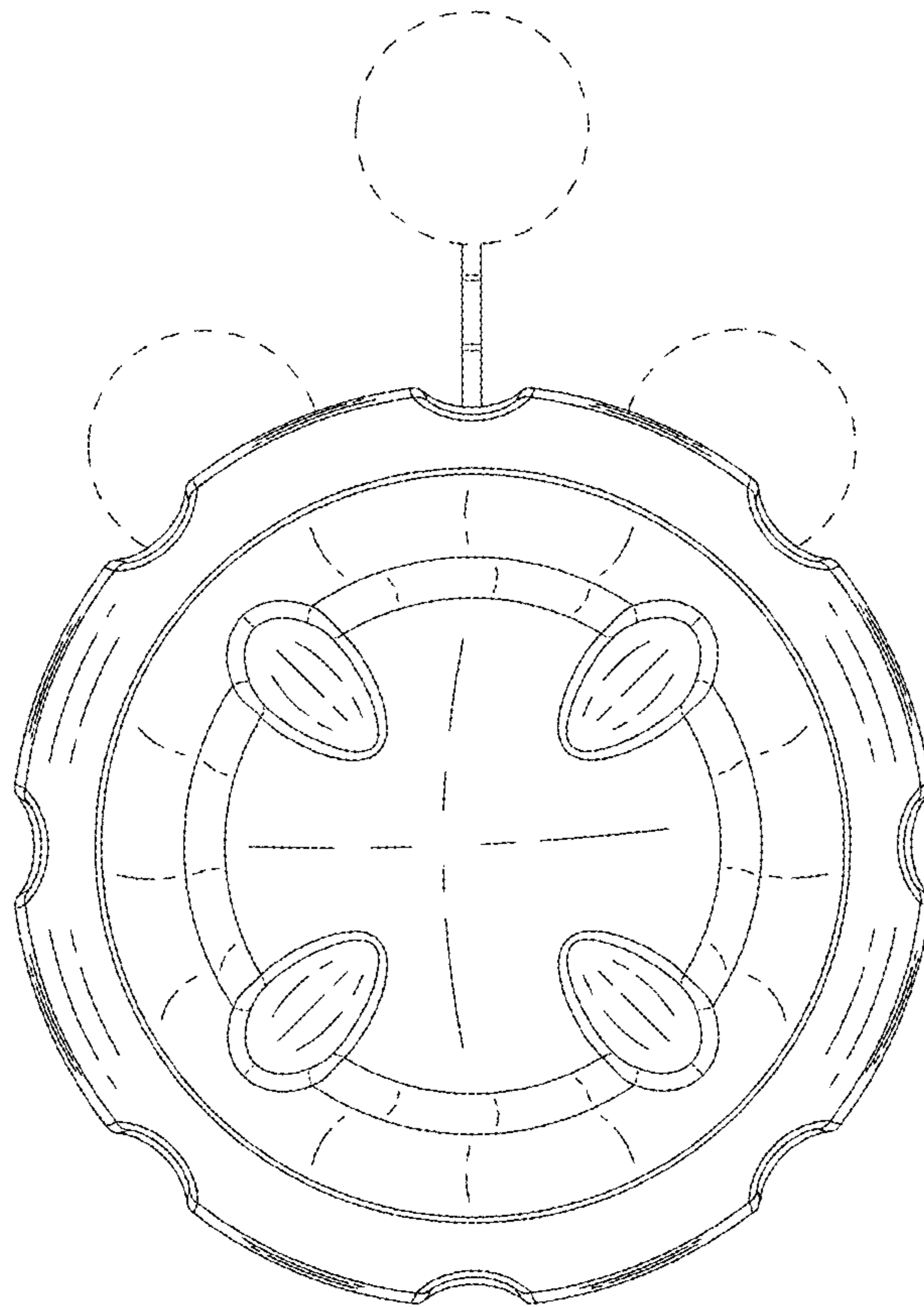


FIG.4

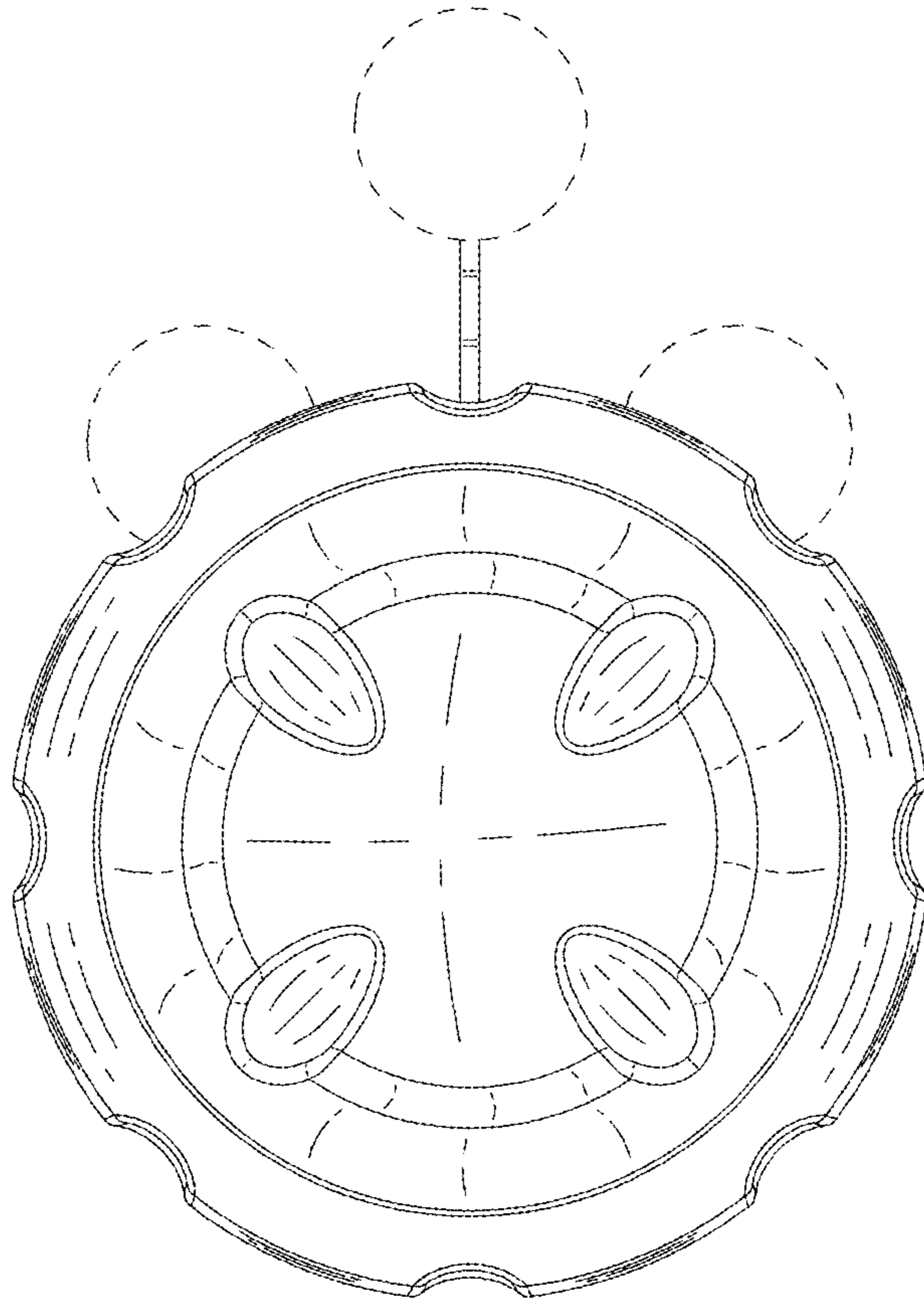


FIG.5

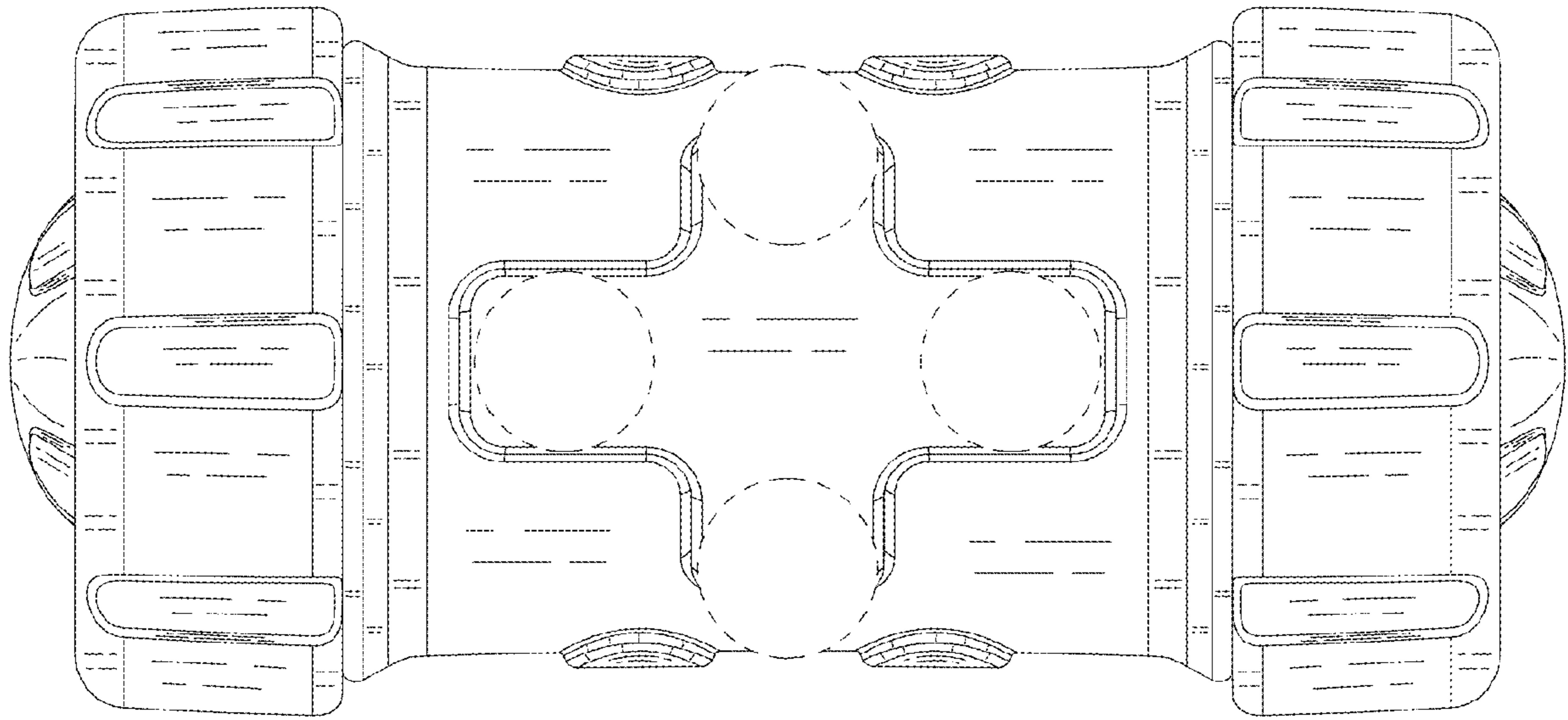


FIG.6

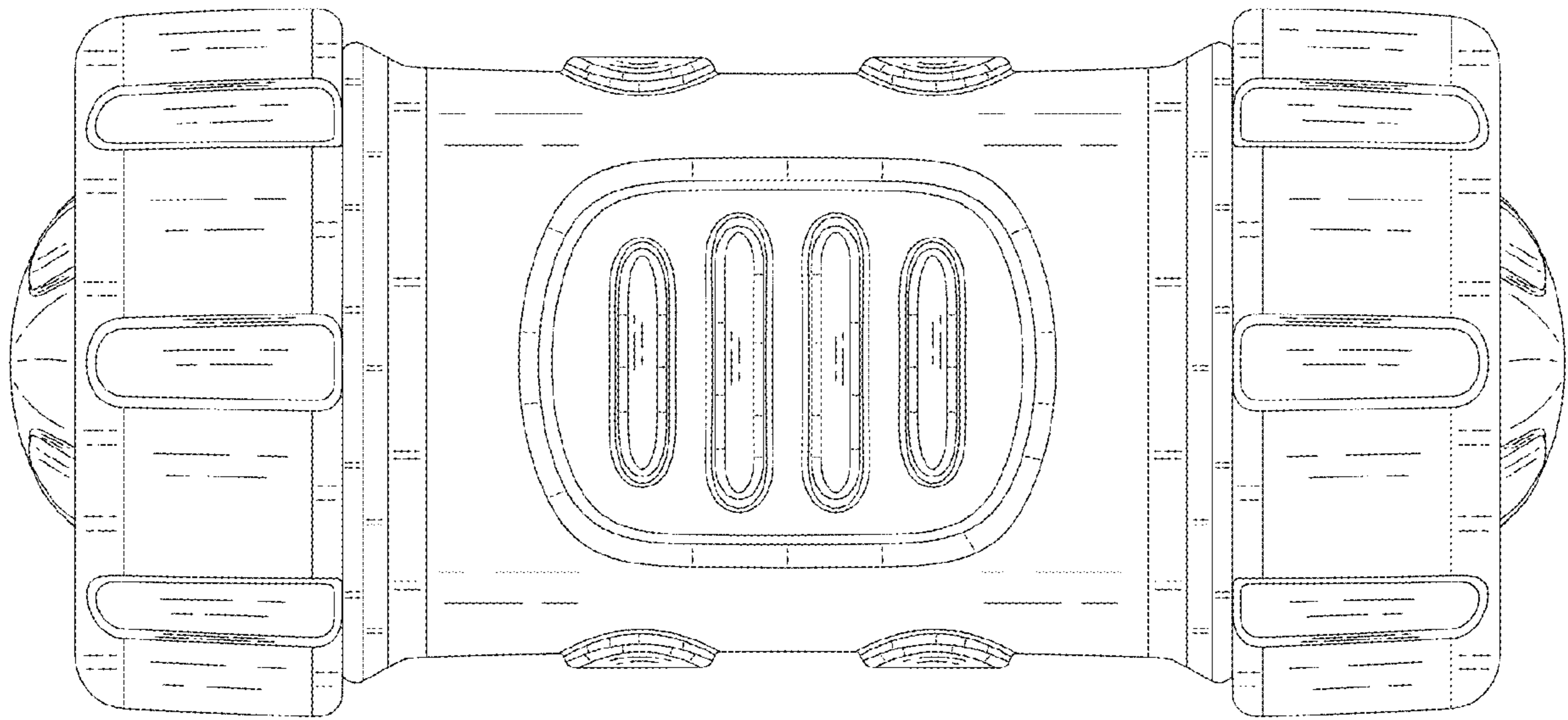


FIG.7