

US00D967280S

(12) **United States Design Patent** (10) **Patent No.:** **US D967,280 S**
Chen (45) **Date of Patent:** **** Oct. 18, 2022**

(54) **SPINNING TOY**
(71) Applicant: **Saili Chen**, Guangdong (CN)
(72) Inventor: **Saili Chen**, Guangdong (CN)
(**) Term: **15 Years**
(21) Appl. No.: **29/820,880**
(22) Filed: **Dec. 24, 2021**

(51) **LOC (13) Cl.** **21-01**
(52) **U.S. Cl.**
USPC **D21/455**
(58) **Field of Classification Search**
USPC D21/455, 457, 460, 398, 389, 478, 479,
D21/468, 484, 486, 492
CPC ... A63H 5/00; A63H 3/20; A63H 3/16; A63H
33/062; A63F 9/16
See application file for complete search history.

(56) **References Cited**

U.S. PATENT DOCUMENTS

4,680,022 A * 7/1987 Hoshino A63H 11/20
74/96
5,913,706 A * 6/1999 Glickman A63H 3/16
446/99
6,482,063 B1 * 11/2002 Frigard A63H 33/103
446/124
6,692,332 B2 * 2/2004 Jheow A63H 3/16
446/383
9,004,799 B1 * 4/2015 Tibbits G09B 25/02
403/56
9,067,147 B1 * 6/2015 Woodhouse A63H 3/46
D782,584 S * 3/2017 Cummings D21/610
D801,440 S * 10/2017 Pavelsky A63H 33/08
D21/455
D811,930 S * 3/2018 Amfitheatrof G09B 25/02
D11/93

9,914,063 B1 * 3/2018 McCoskery A63F 9/16
D827,042 S 8/2018 Weissman
D834,100 S 11/2018 Chevie
D851,707 S * 6/2019 Ren D21/455
D872,807 S * 1/2020 Lowsky D21/455
D873,924 S 1/2020 Cope
2013/0102220 A1 * 4/2013 Wang A63H 33/06
446/124
2013/0210314 A1 * 8/2013 Rottjer A63H 33/062
446/124
2018/0193763 A1 * 7/2018 Heo A63H 33/08

OTHER PUBLICATIONS

amazon.com, Yixi Brand, Fidget spinner, reviewed Jun. 21, 2021.*

* cited by examiner

Primary Examiner — Philip S Hyder
(74) *Attorney, Agent, or Firm* — Che-Yang Chen; Law
Office of Michael Chen

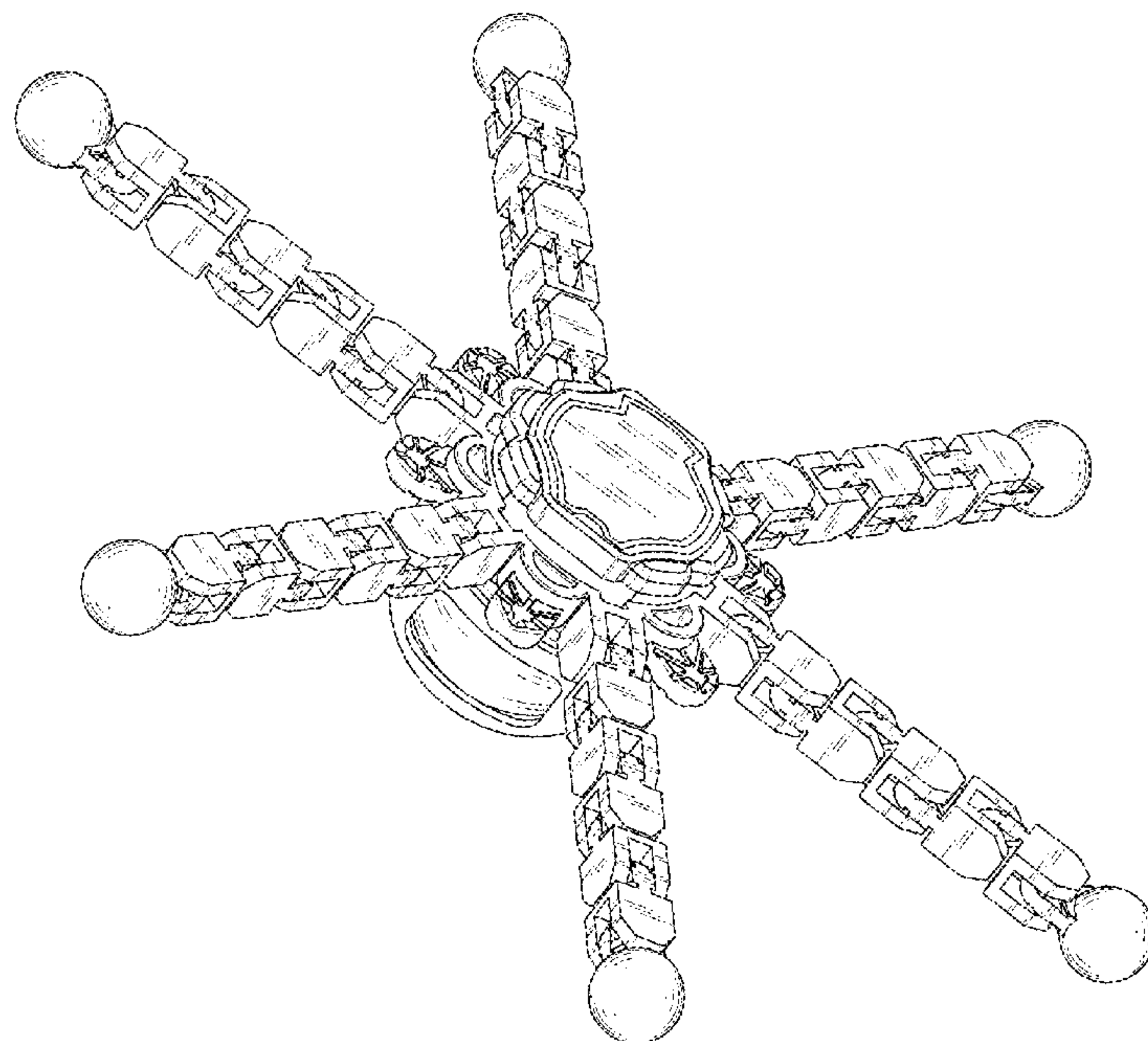
(57) **CLAIM**

The ornamental design for a spinning toy, as shown and described.

DESCRIPTION

FIG. 1 is a perspective view of the spinning toy showing my new design;
FIG. 2 is a perspective view thereof from another angle;
FIG. 3 is a front elevational view thereof;
FIG. 4 is a rear elevational view thereof;
FIG. 5 is a left side elevational view thereof;
FIG. 6 is a right side elevational view thereof;
FIG. 7 is a top plan view thereof; and,
FIG. 8 is a bottom plan view thereof.

1 Claim, 8 Drawing Sheets



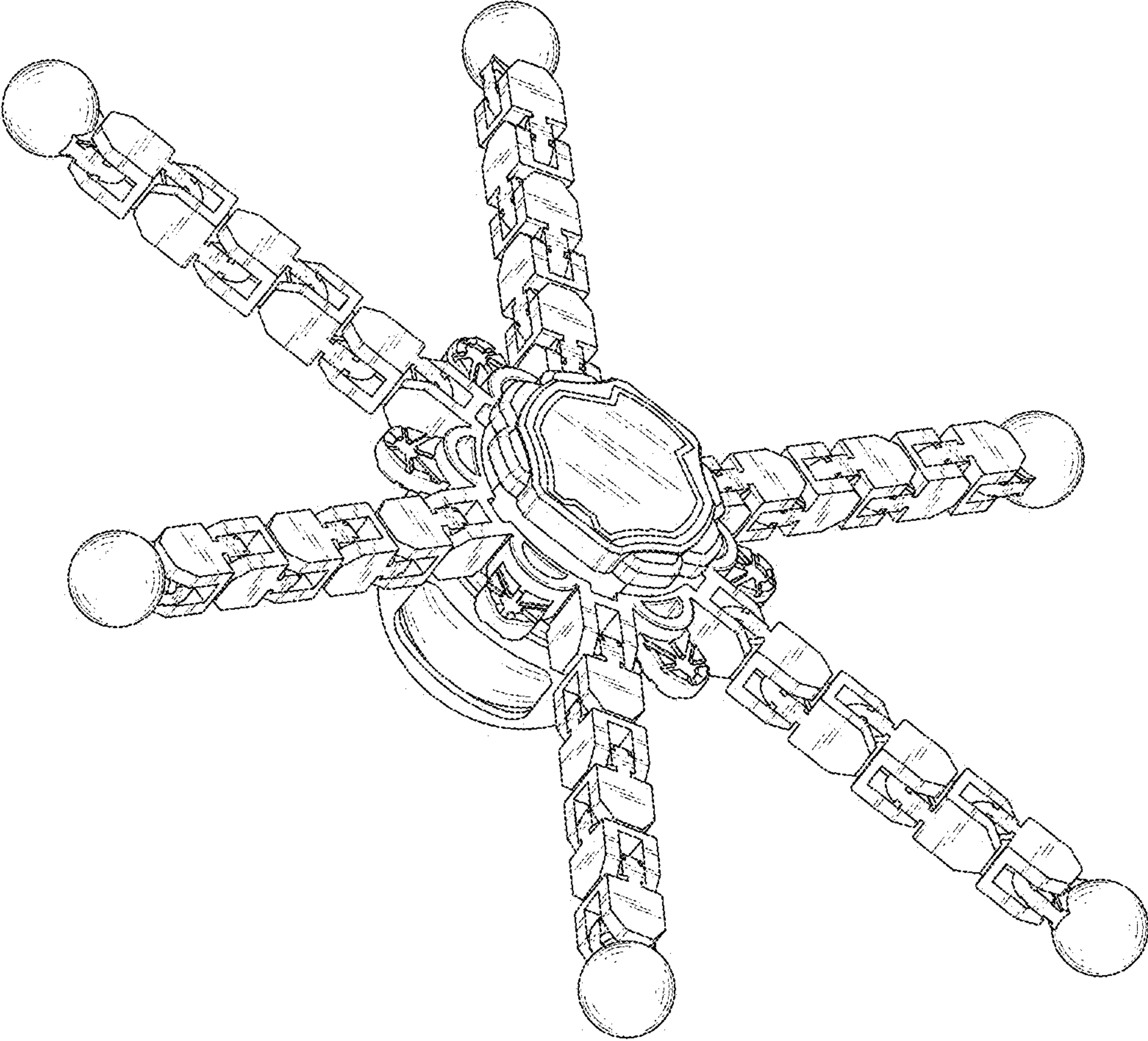


FIG.1

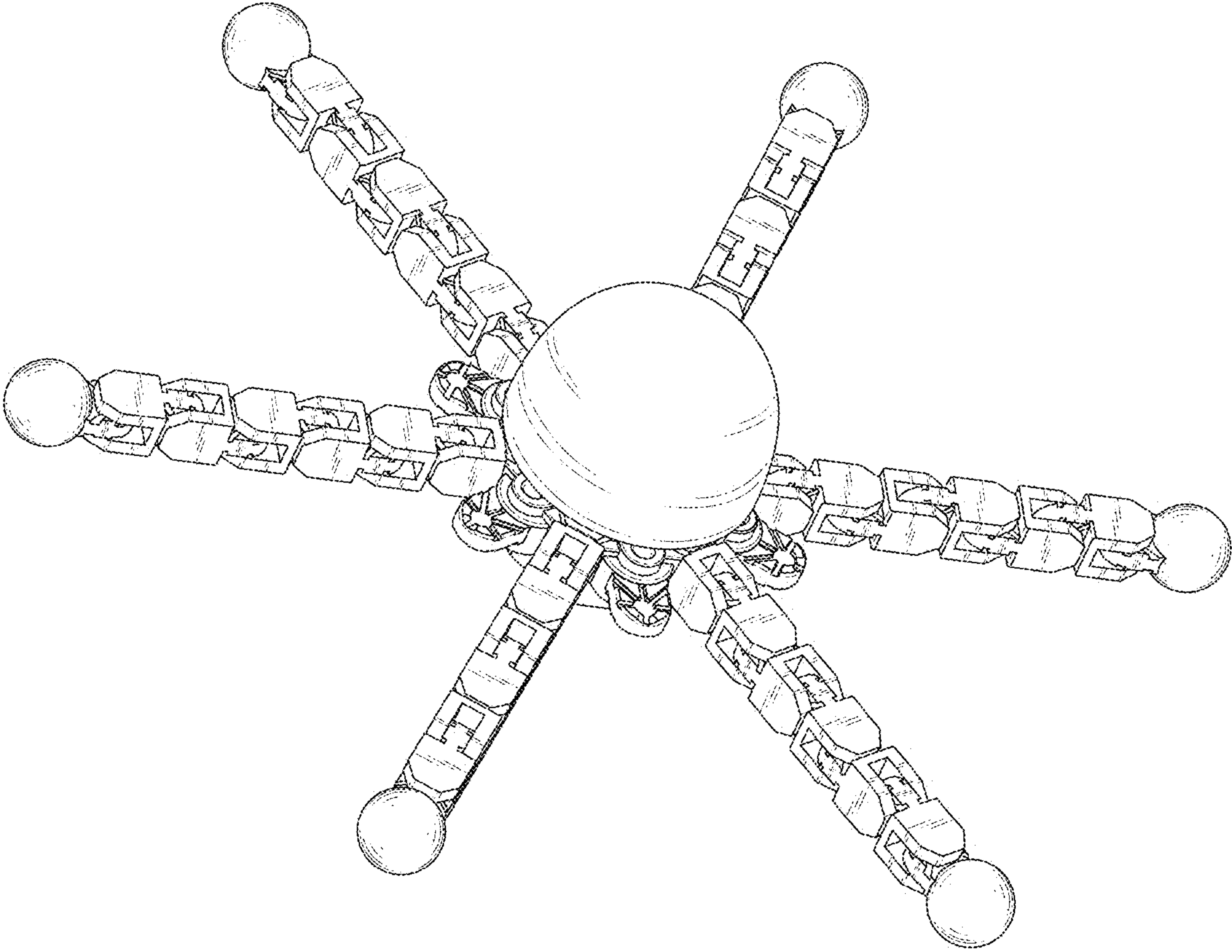


FIG.2

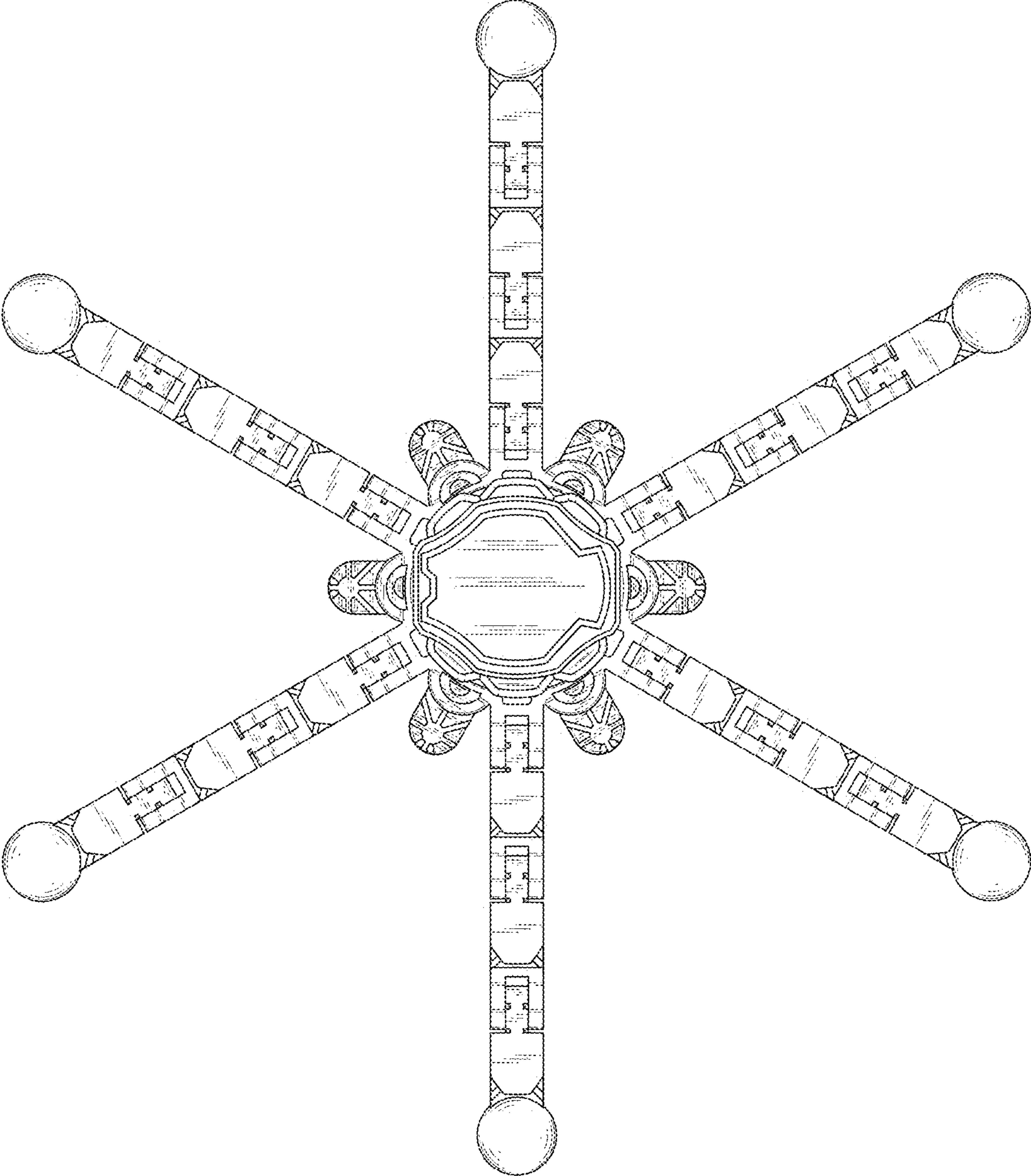


FIG.3

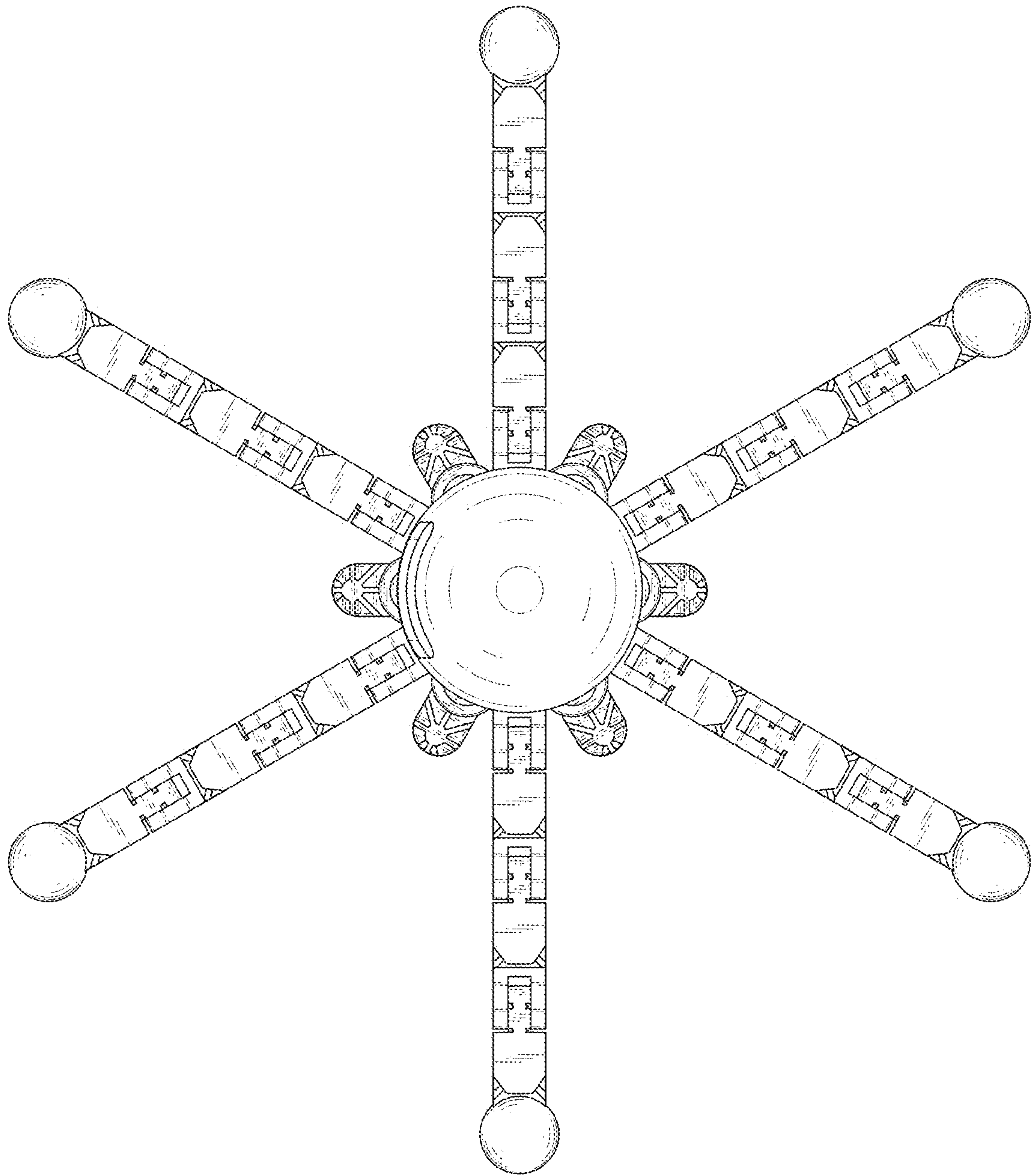


FIG.4

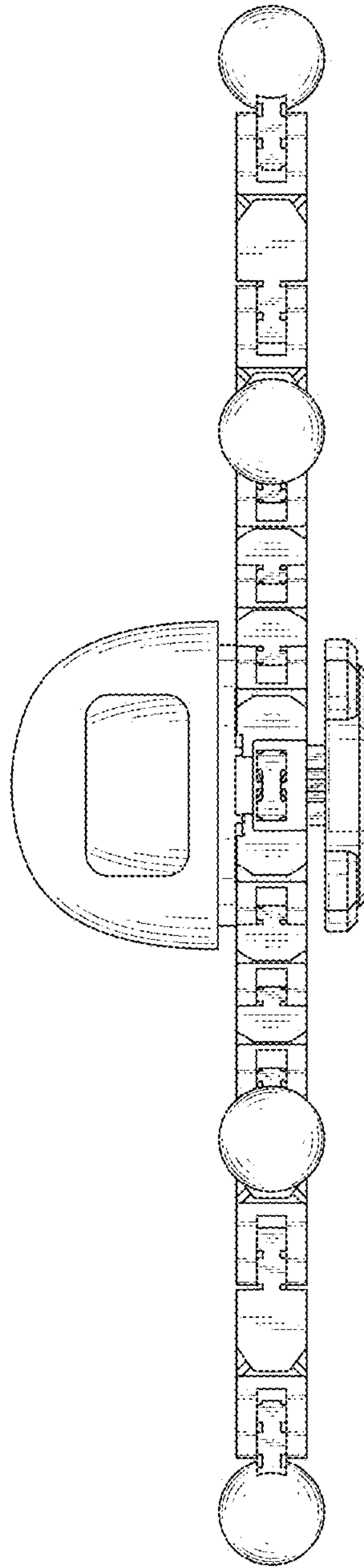


FIG.5

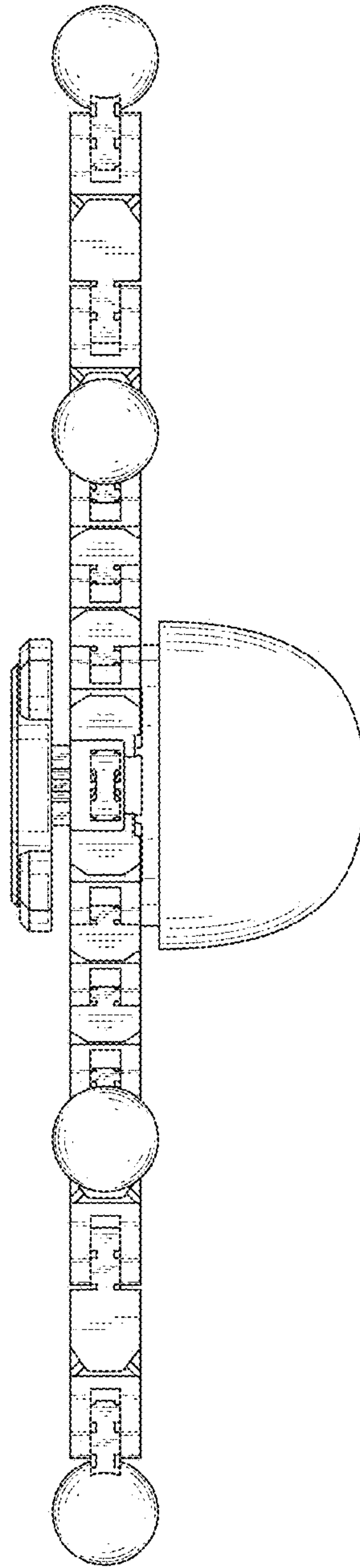


FIG.6

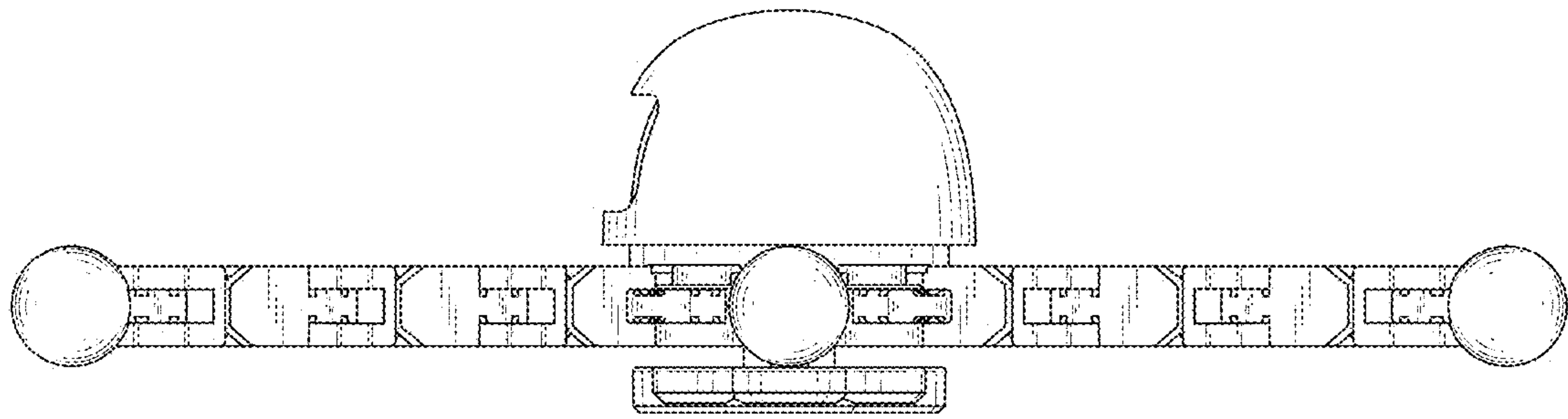


FIG.7

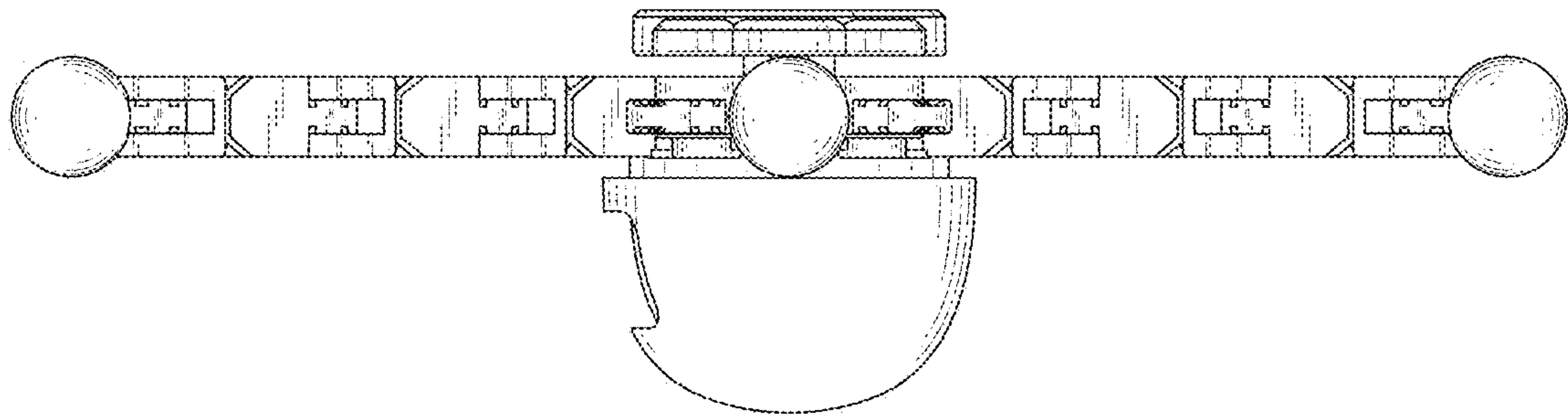


FIG.8