



US00D967277S

(12) **United States Design Patent** (10) **Patent No.:** **US D967,277 S**
McGowan (45) **Date of Patent:** **** Oct. 18, 2022**

(54) **SCOOTER**
(71) Applicant: **Yvolve Sports Ltd.**, Dublin (IE)
(72) Inventor: **John McGowan**, Balbriggan (IE)
(73) Assignee: **YVOLVE SPORTS LTD.**, Dublin (IE)
(**) Term: **15 Years**
(21) Appl. No.: **29/839,318**
(22) Filed: **May 19, 2022**

2008/0029984 A1* 2/2008 Hong B62K 21/12
280/87.041
2017/0106932 A1* 4/2017 Mazoyer B62K 3/002
2018/0185739 A1* 7/2018 McGowan A63C 17/265
2019/0241232 A1* 8/2019 McGowan B62K 5/05
(Continued)

FOREIGN PATENT DOCUMENTS

CN 305228252 * 6/2019
EM 006537619-0001 * 6/2019
(Continued)

OTHER PUBLICATIONS

“Chillafish,” May 28, 2020, instagram.com, site visited Jun. 16, 2022, URL: <https://www.instagram.com/p/CAu4MxyHsmH/> (Year: 2020).*

Primary Examiner — Richard Kearney
Assistant Examiner — Sarah L Smith

Related U.S. Application Data
(62) Division of application No. 29/741,267, filed on Jul. 10, 2020.
(51) **LOC (13) Cl.** **21-01**
(52) **U.S. Cl.**
USPC **D21/423**; D21/435
(58) **Field of Classification Search**
USPC D21/419, 421, 423, 760, 763, 765, 771;
D12/1, 8, 107, 110, 112–114
CPC .. B62K 3/002; B62K 5/08; B62K 5/02; A63C
17/01; A63C 17/02; A63C 17/04; A63C
17/014; A63C 17/265
See application file for complete search history.

(57) **CLAIM**

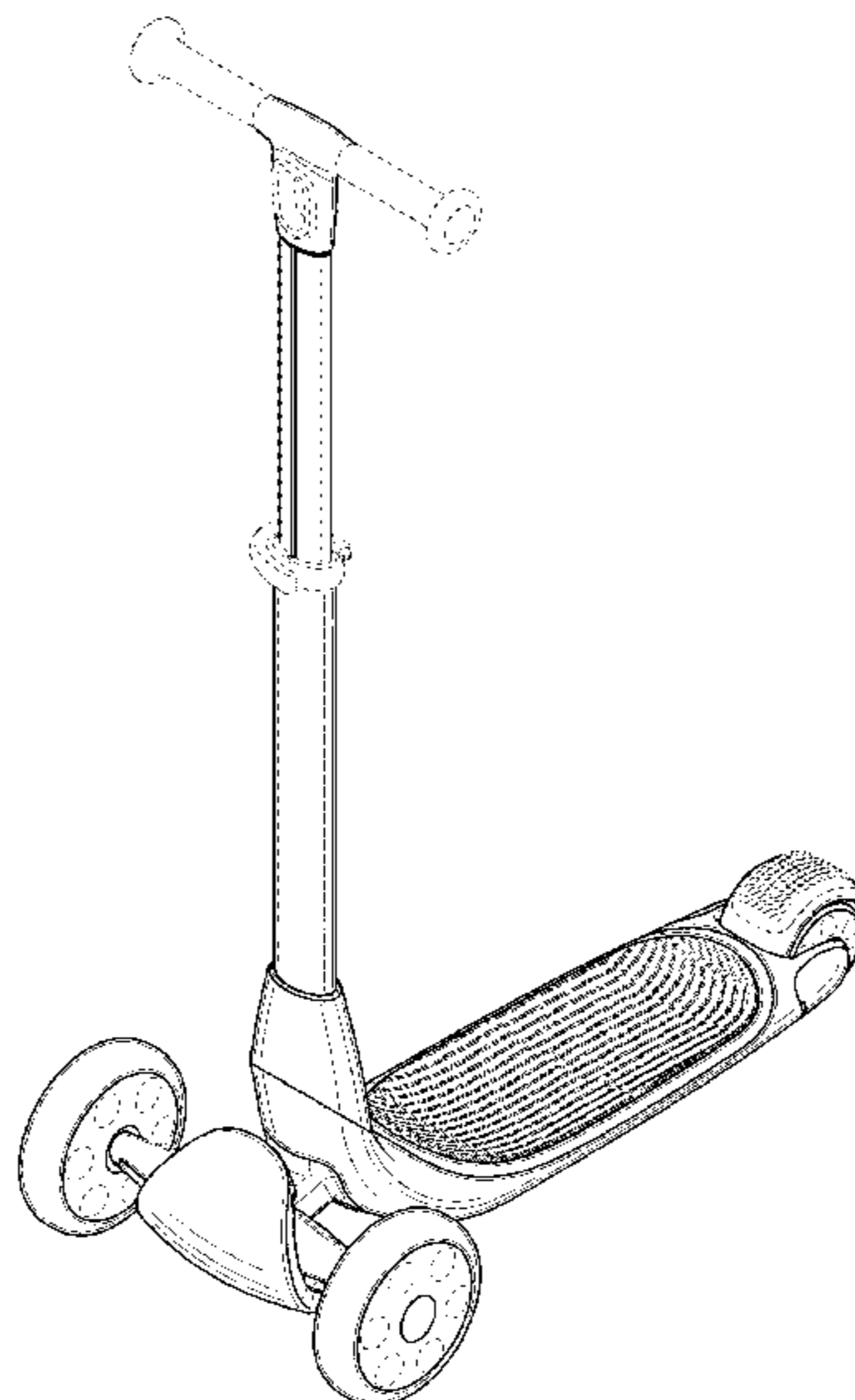
The ornamental design for a scooter, as shown and described.

DESCRIPTION

FIG. 1 is a perspective view from above, to the front and to the left side of the new design for a scooter;
FIG. 2 is a perspective view from below, to the rear and to the right side thereof;
FIG. 3 is a front view thereof;
FIG. 4 is a rear view thereof;
FIG. 5 is a right side view thereof;
FIG. 6 is a left side view thereof;
FIG. 7 is a top plan view thereof; and,
FIG. 8 is a bottom plan view thereof.
In the drawings, the broken lines are for the purpose of illustrating portions of the article that form no part of the claimed design.

(56) **References Cited**
U.S. PATENT DOCUMENTS
10,137,955 B1* 11/2018 Wu B62K 3/002
10,486,765 B2* 11/2019 McGowan B62K 3/002
D884,085 S * 5/2020 Li D21/423
D911,457 S * 2/2021 Yu D21/423
D914,105 S * 3/2021 Mazoyer D21/423
D918,305 S * 5/2021 Fan D21/423
D921,764 S * 6/2021 Zhang D21/423
D923,714 S * 6/2021 Shen D21/423
D923,715 S * 6/2021 Wang D21/423
D943,030 S * 2/2022 Chen D21/423
2005/0258609 A1* 11/2005 Yeh B62B 13/04
280/14.27

1 Claim, 8 Drawing Sheets



(56)

References Cited

U.S. PATENT DOCUMENTS

2020/0283086 A1* 9/2020 Ulmen B62K 11/14
2022/0009582 A1* 1/2022 McGowan B62K 15/006

FOREIGN PATENT DOCUMENTS

EP 2444307 A1* 4/2012 B62K 3/002
WO WO-2016034975 A1* 3/2016 B62H 7/00
WO D200611-001 * 5/2019

* cited by examiner

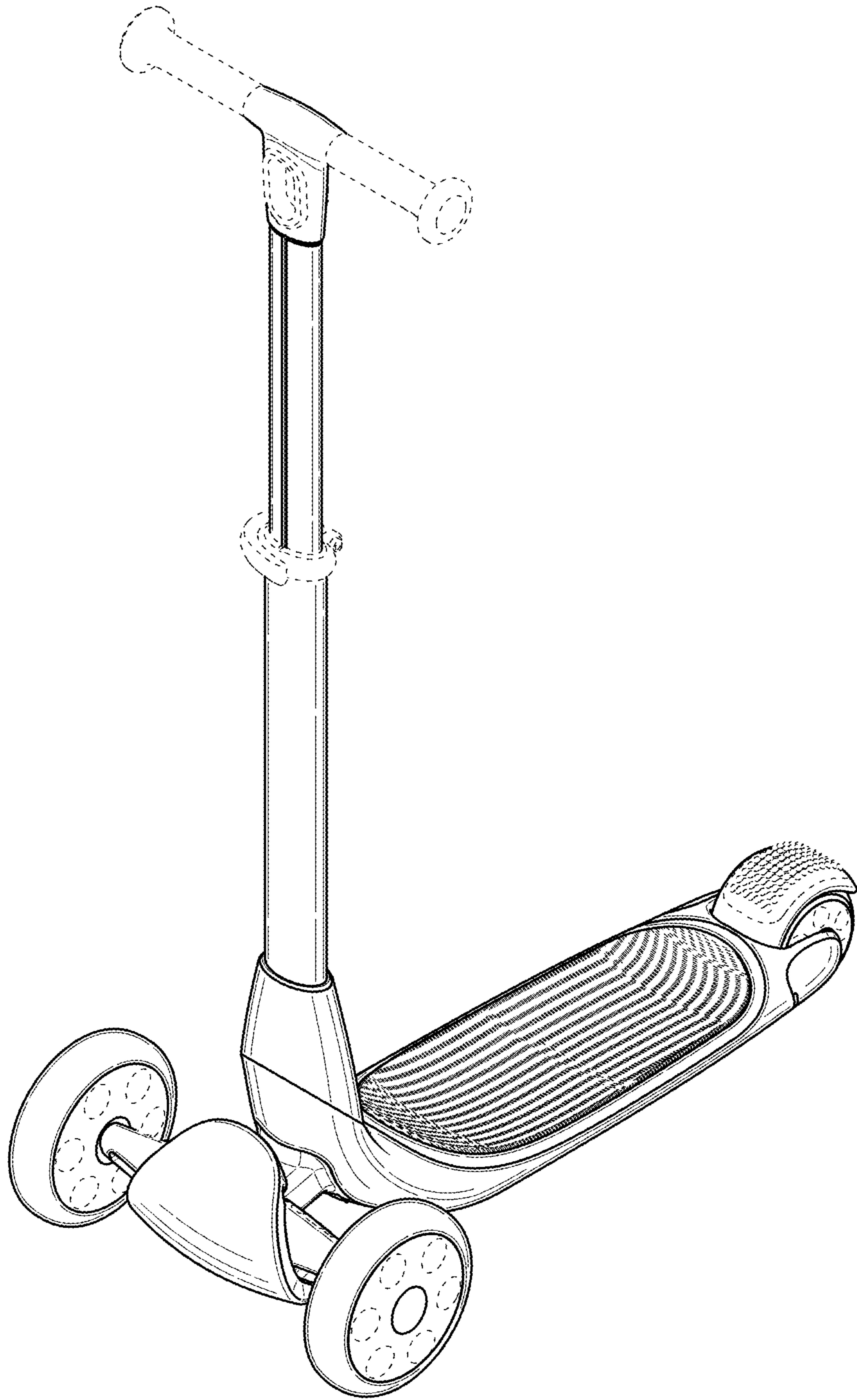


FIG. 1

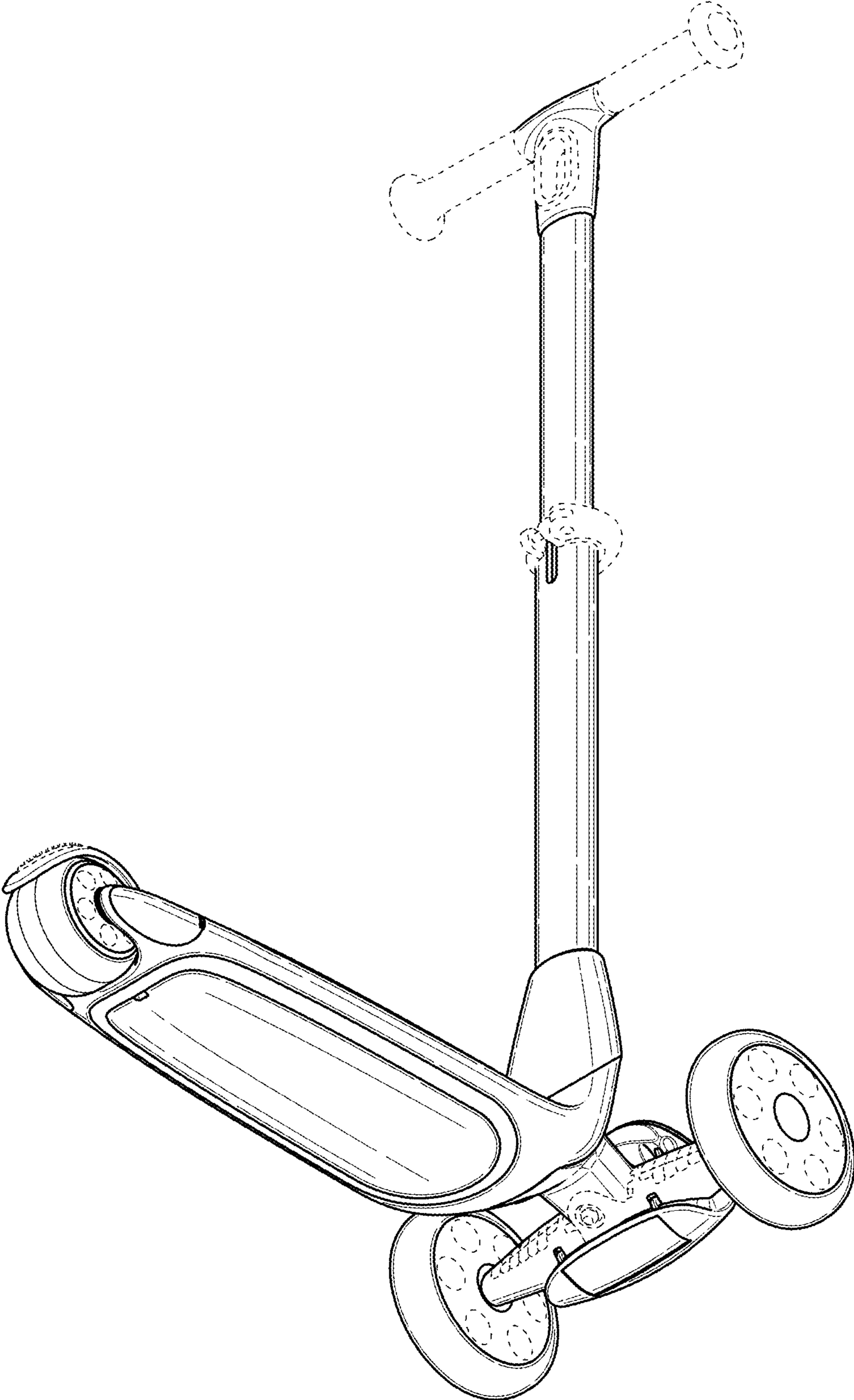


FIG. 2

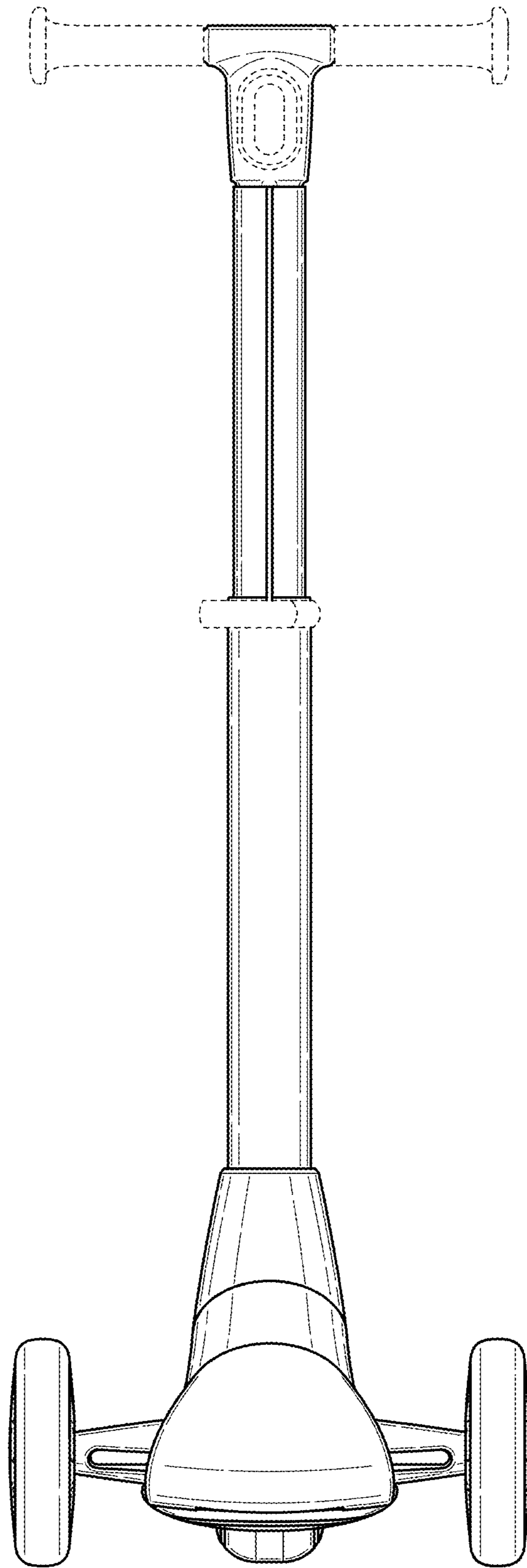


FIG. 3

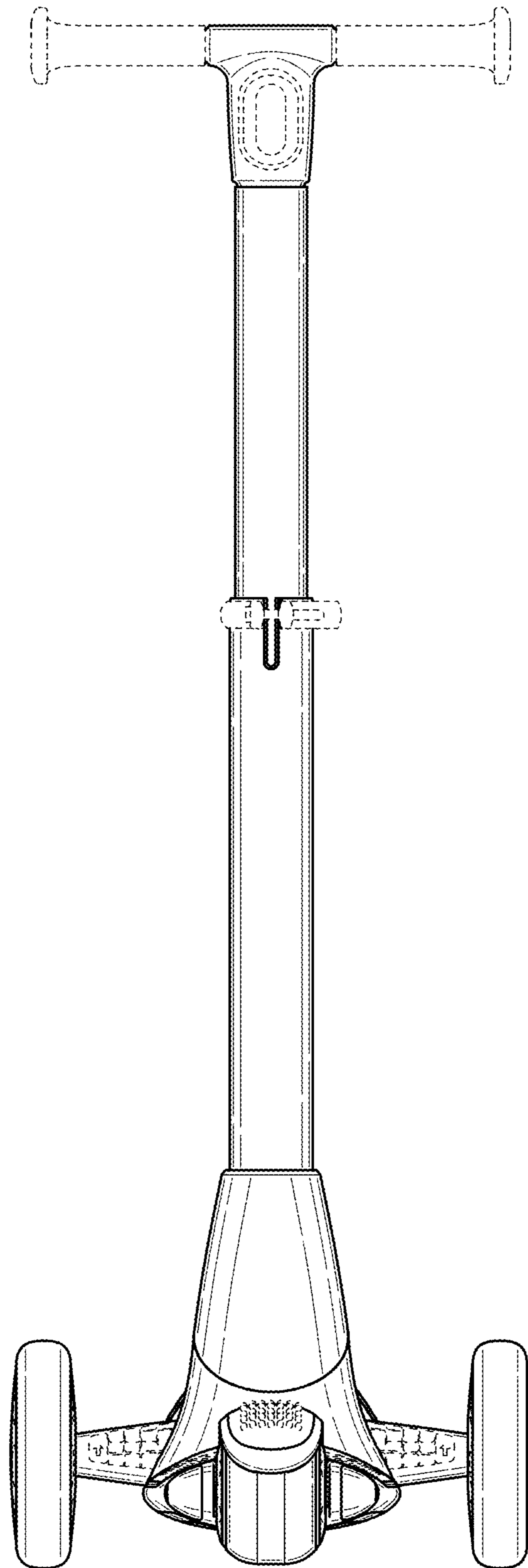


FIG. 4

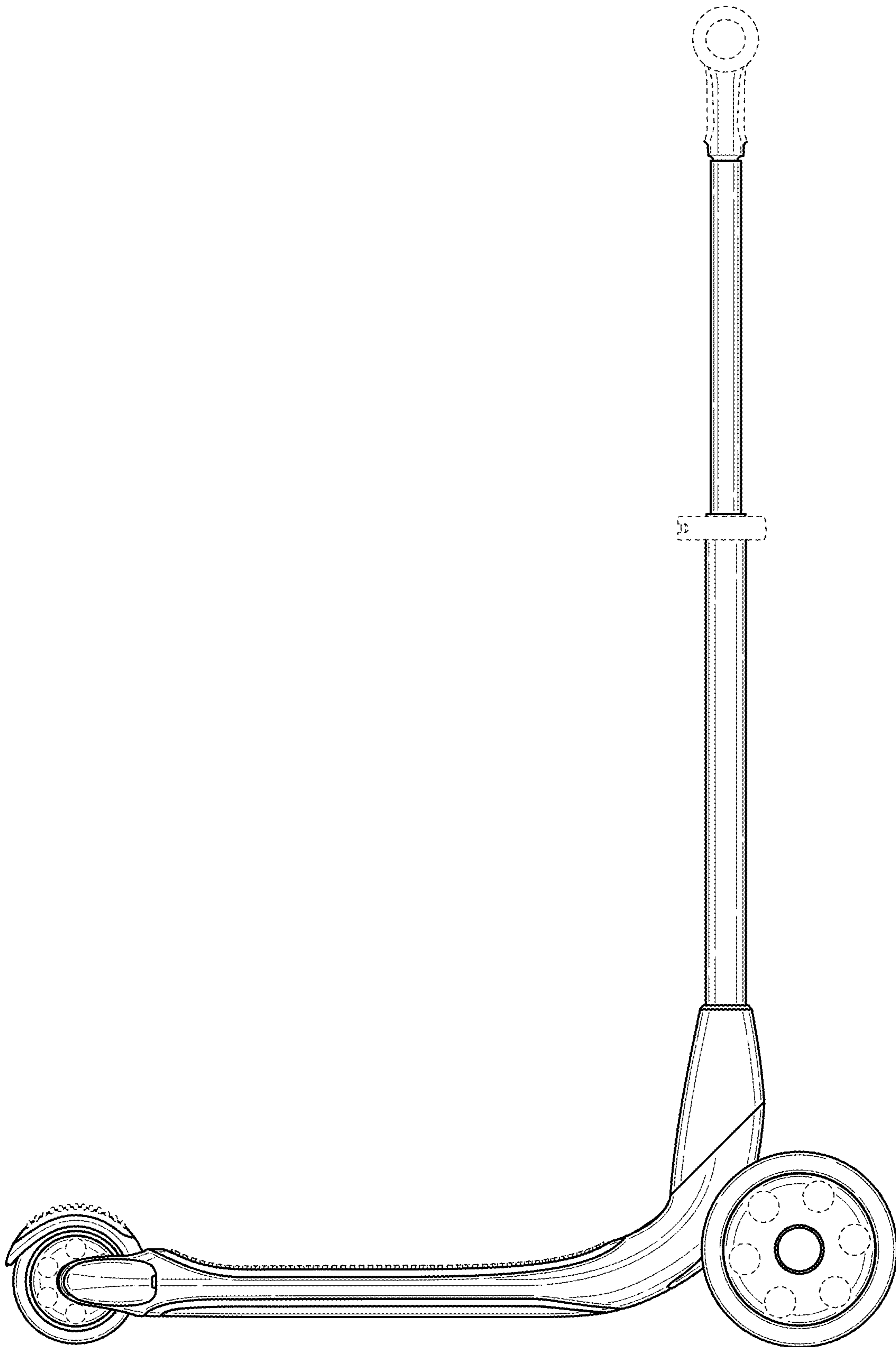


FIG. 5

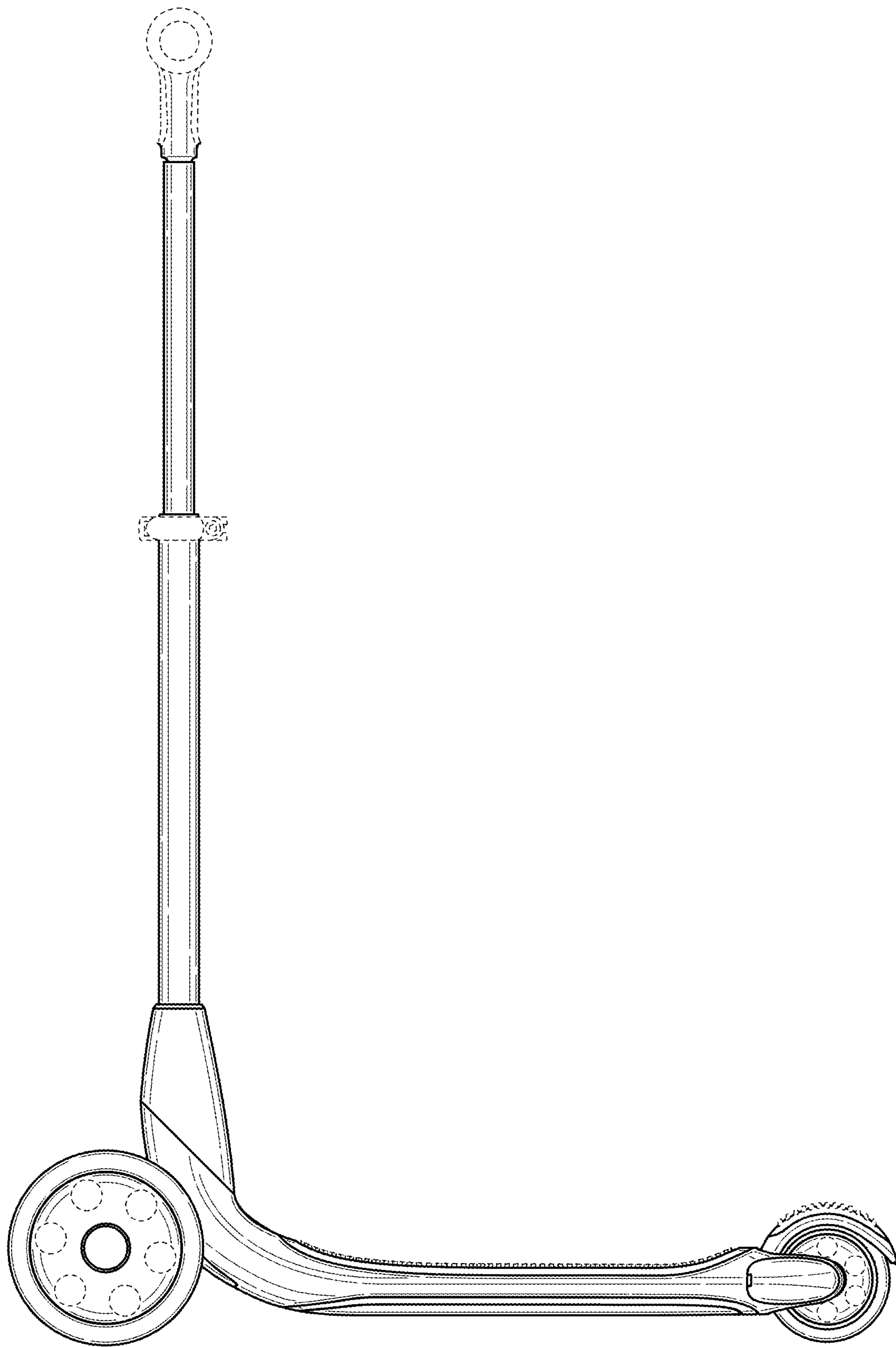


FIG. 6

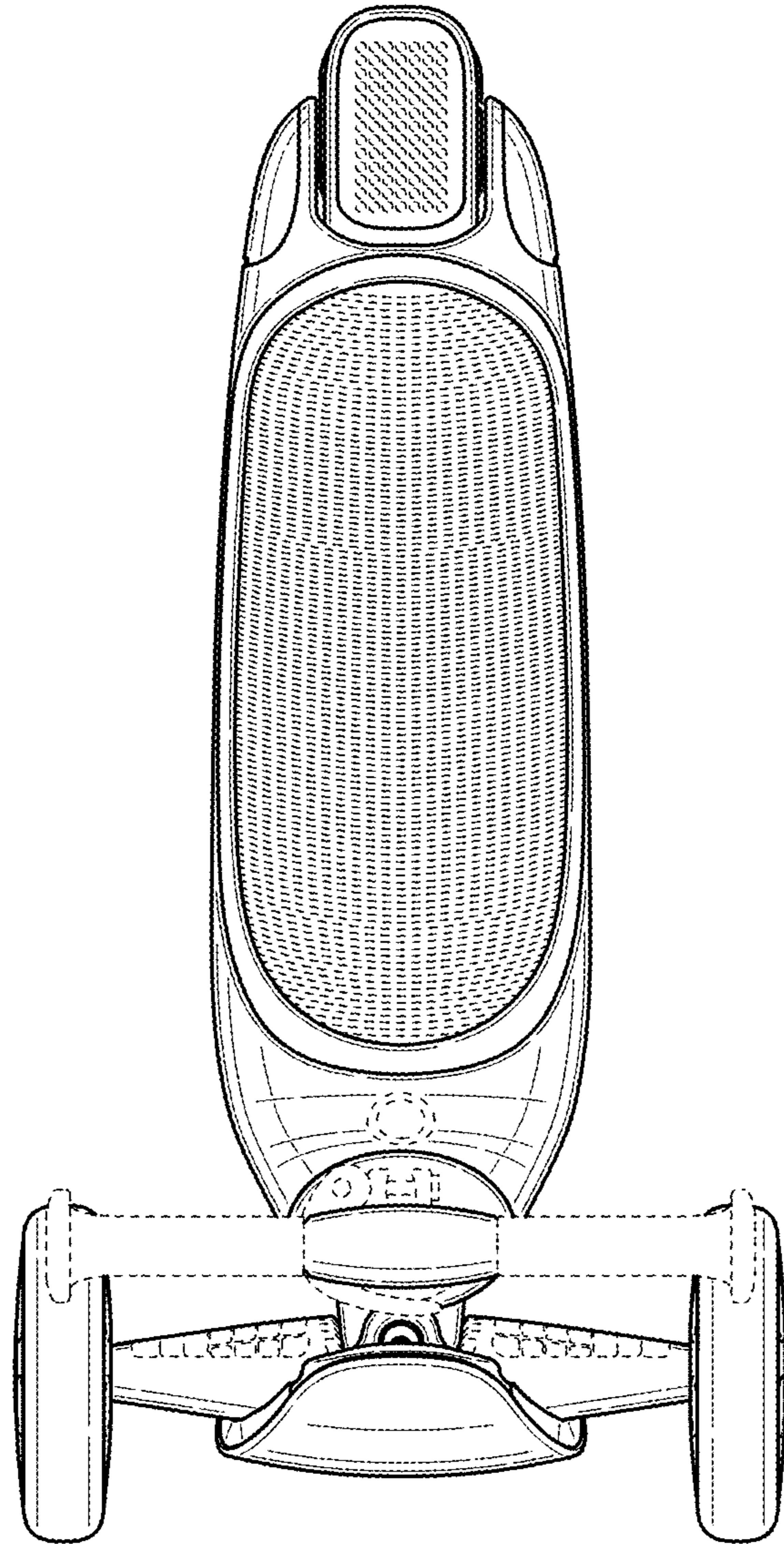


FIG. 7

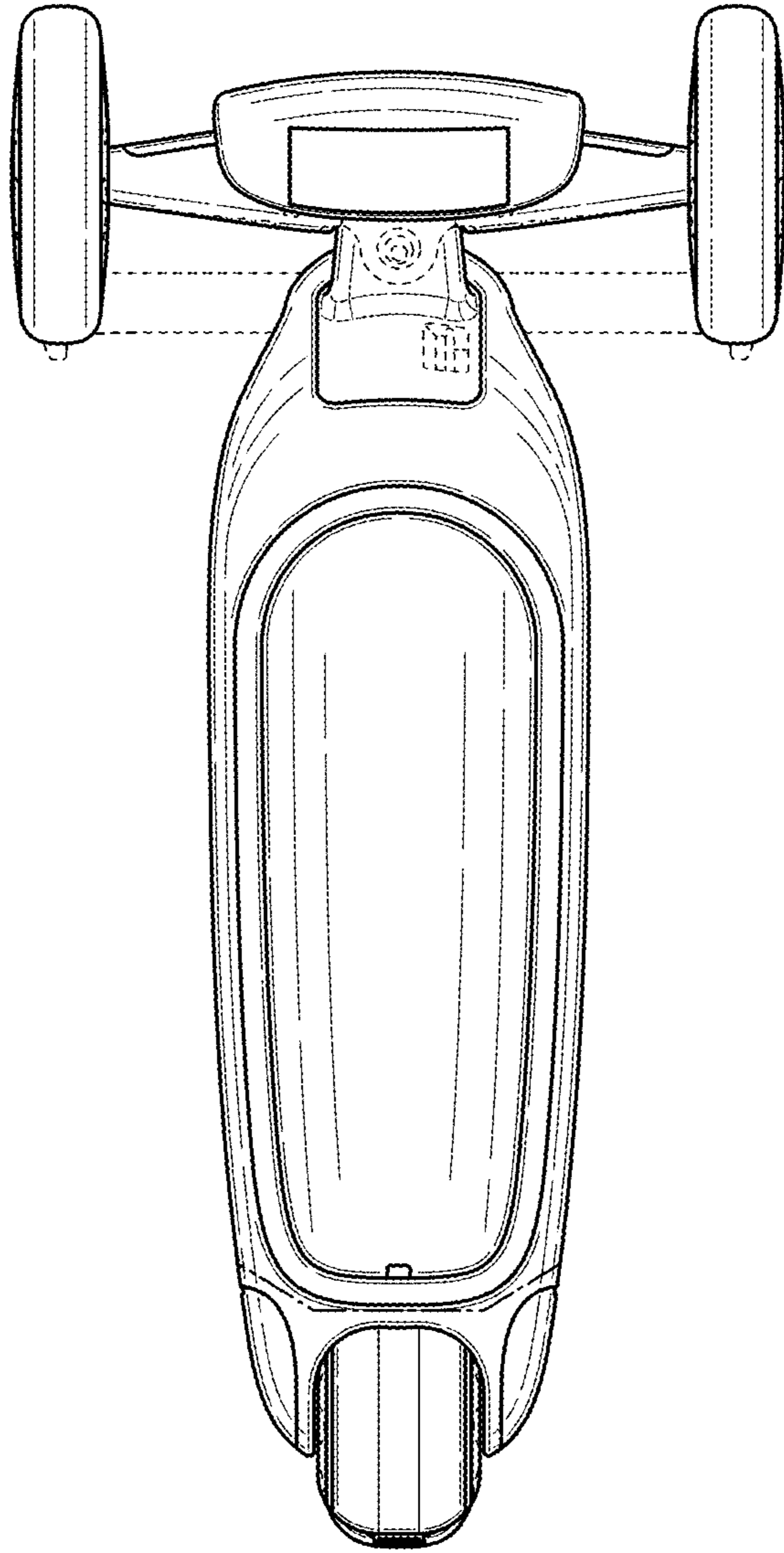


FIG. 8