

US00D967276S

(12) **United States Design Patent**
De Roeck

(10) **Patent No.:** **US D967,276 S**
(45) **Date of Patent:** **** Oct. 18, 2022**

(54) **SCOOTER**

(71) Applicant: **The Chillafish Company N.V.**,
Antwerp (BE)

(72) Inventor: **Sebastian De Roeck**, Westmalle (BE)

(73) Assignee: **The Chillafish Company N.V.**

(**) Term: **15 Years**

(21) Appl. No.: **29/744,200**

(22) Filed: **Jul. 28, 2020**

(30) **Foreign Application Priority Data**

Jan. 28, 2020 (EM) 007567144-0001

(51) **LOC (13) Cl.** **21-01**

(52) **U.S. Cl.**
USPC **D21/423**

(58) **Field of Classification Search**
USPC D21/419, 421, 423, 760, 763, 765, 771;
D12/1, 8, 107, 110, 112-114
CPC .. B62K 3/002; B62K 5/08; B62K 5/02; A63C
17/01; A63C 17/02; A63C 17/04; A63C
17/014; A63C 17/265
See application file for complete search history.

(56) **References Cited**

U.S. PATENT DOCUMENTS

D672,400 S * 12/2012 Pizzi B62K 15/006
D21/423
D698,868 S * 2/2014 Chan B62K 15/006
D21/423
8,696,000 B1 * 4/2014 Chen B62K 3/002
280/87.041
D728,033 S * 4/2015 O'connell A63C 17/265
D21/423
D736,861 S * 8/2015 Eckert B62K 3/002
D21/423
D738,435 S * 9/2015 O'Connell D21/423

10,137,955 B1 * 11/2018 Wu B62K 3/002
10,486,765 B2 * 11/2019 McGowan B62K 3/002
D884,085 S * 5/2020 Li D21/423
D898,833 S * 10/2020 Mazoyer B62K 3/002
D21/423
D908,807 S * 1/2021 Wang D21/423
D914,105 S * 3/2021 Mazoyer D21/423
2017/0106932 A1 * 4/2017 Mazoyer B62K 3/002
2018/0185739 A1 * 7/2018 McGowan A63C 17/265

(Continued)

FOREIGN PATENT DOCUMENTS

CN 203127076 U * 8/2013 B62K 21/16
CN 305270555 * 7/2019

(Continued)

OTHER PUBLICATIONS

"Globber Toddler Scooter," Oct. 21, 2016, amazon.com, site visited
Apr. 7, 2022, URL: <https://www.amazon.com/dp/B01M6ZZBQG/>
(Year: 2016).*

(Continued)

Primary Examiner — Eric L Goodman
Assistant Examiner — Sarah L Smith
(74) *Attorney, Agent, or Firm* — Fresh IP PLC; Clifford
D. Hyra; Micah C. Gunn

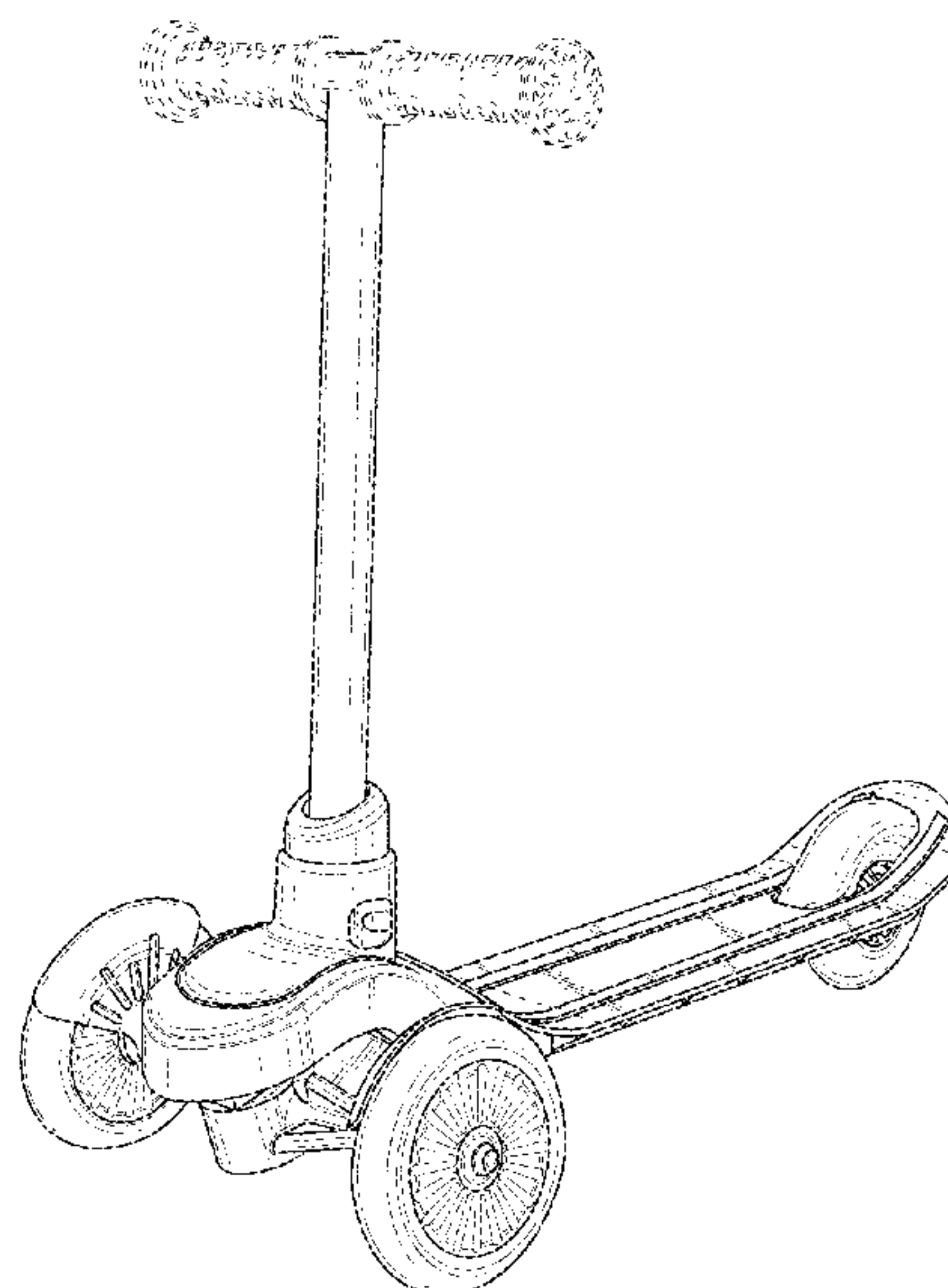
(57) **CLAIM**

The ornamental design for a scooter, as shown and
described.

DESCRIPTION

FIG. 1 is a perspective view of a scooter;
FIG. 2 is a side view thereof;
FIG. 3 is a front view thereof;
FIG. 4 is a rear view thereof;
FIG. 5 is a top view thereof; and,
FIG. 6 is a bottom view thereof.

1 Claim, 6 Drawing Sheets



(56)

References Cited

U.S. PATENT DOCUMENTS

2019/0241232 A1* 8/2019 McGowan B62K 15/006
2020/0156728 A1* 5/2020 Mazoyer B62K 15/006

FOREIGN PATENT DOCUMENTS

CN 305297814 * 8/2019
EP 2695804 A2 * 2/2014 B62K 21/005
TW 167313-0001 * 4/2015 B62K 21/005
WO WO-2015095368 A1 * 6/2015 B62K 3/002
WO WO-2015192773 A1 * 12/2015 B62K 15/00
WO WO-2016034975 A1 * 3/2016 B62H 7/00
WO D200611-001 * 5/2019

OTHER PUBLICATIONS

“Radio Flyer Lean ’N Glide,” Mar. 22, 2017, amazon.ca, site visited Apr. 7, 2022, URL: <https://www.amazon.ca/Radio-Flyer-Scooter-wheels-Vehicle/dp/B06XSTWYV9/> (Year: 2017).*

“Jetson,” Nov. 29, 2017, facebook.com, site visited Apr. 7, 2022, URL: <https://www.facebook.com/ridejetson/photos/1514678325294458> (Year: 2017).*

“Yvolution,” Mar. 26, 2018, facebook.com, site visited Apr. 7, 2022, URL: <https://www.facebook.com/yvolution.world/photos/1934170929967301> (Year: 2018).*

* cited by examiner

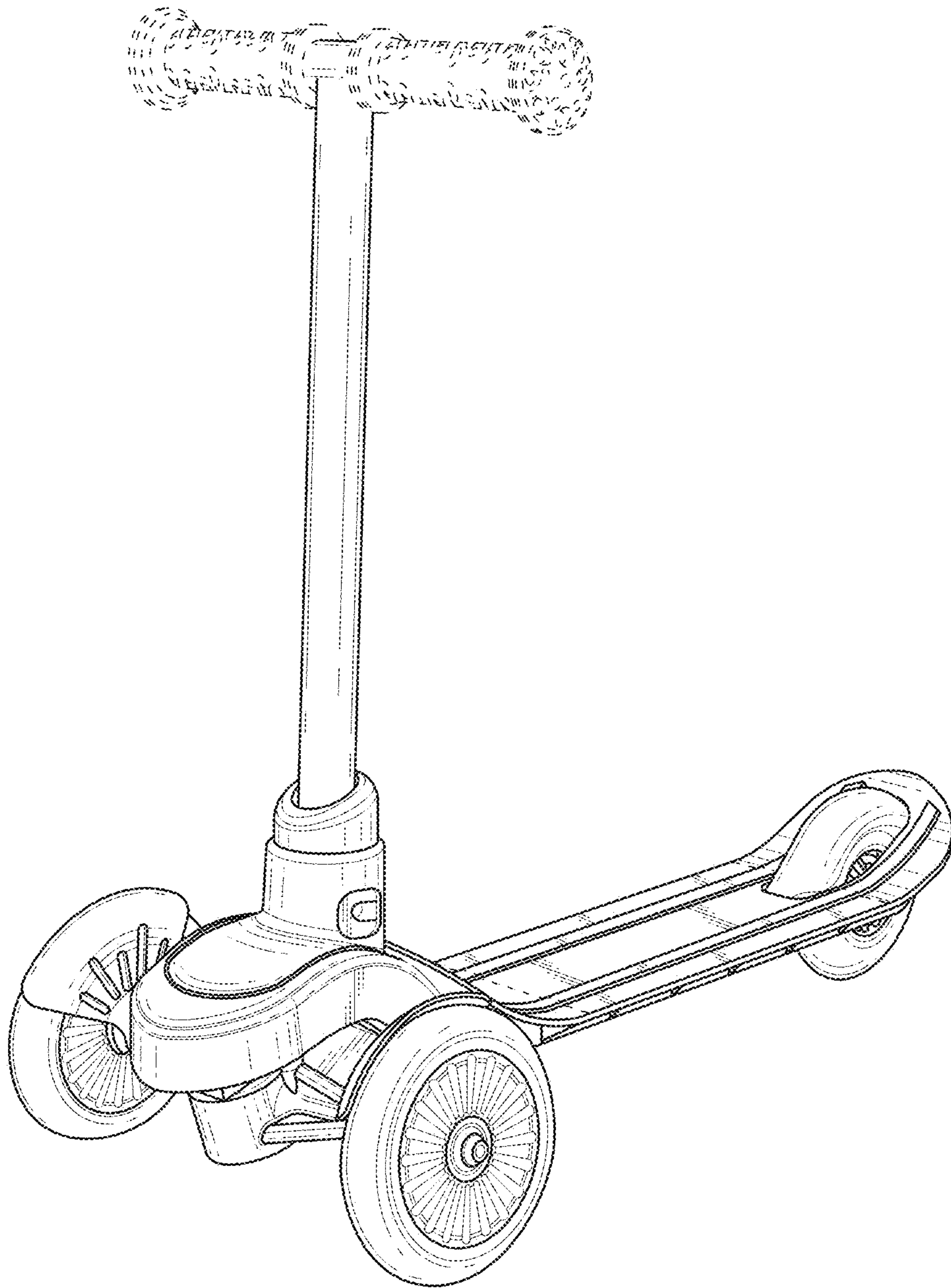


FIG. 1

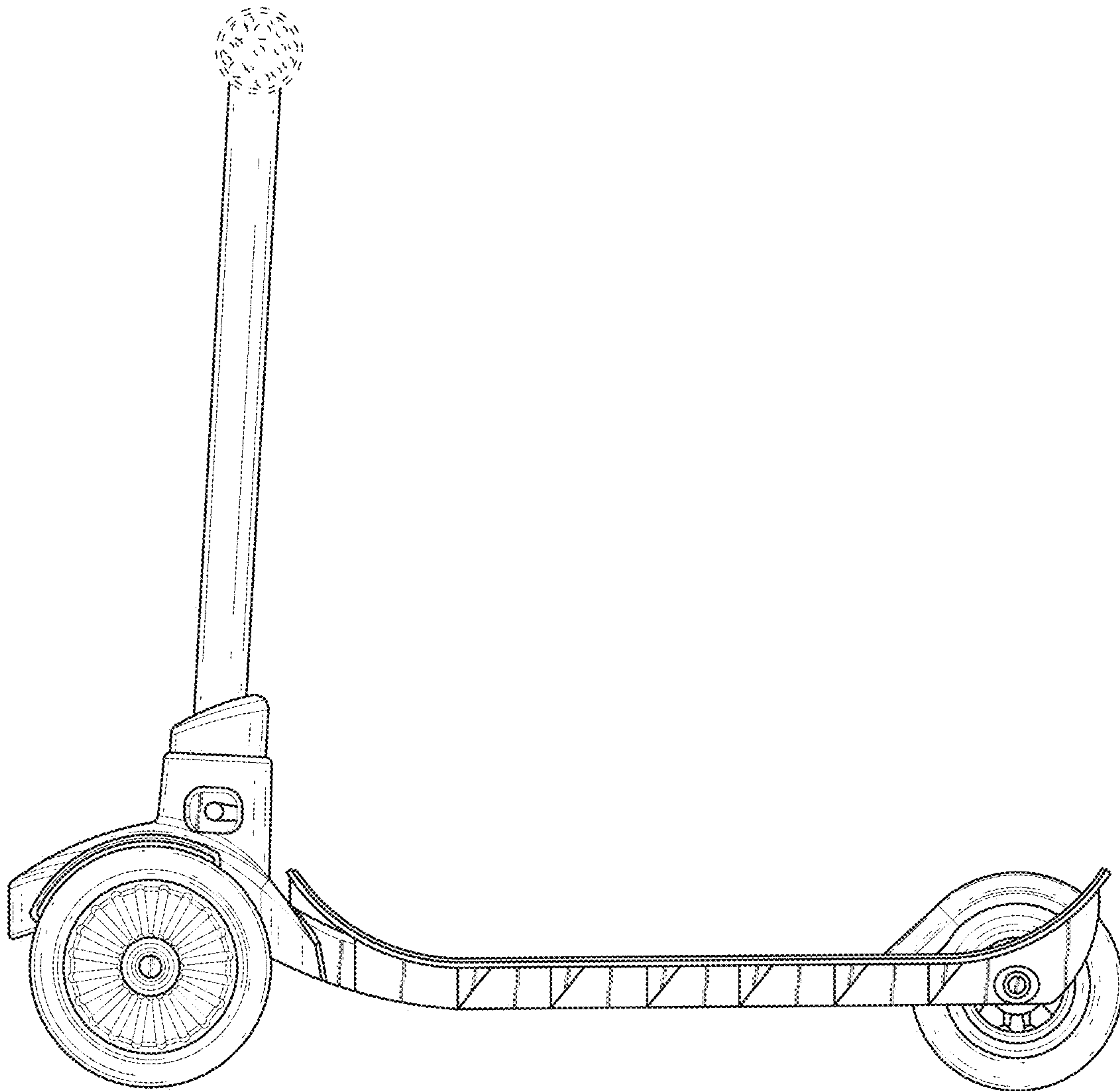


FIG. 2

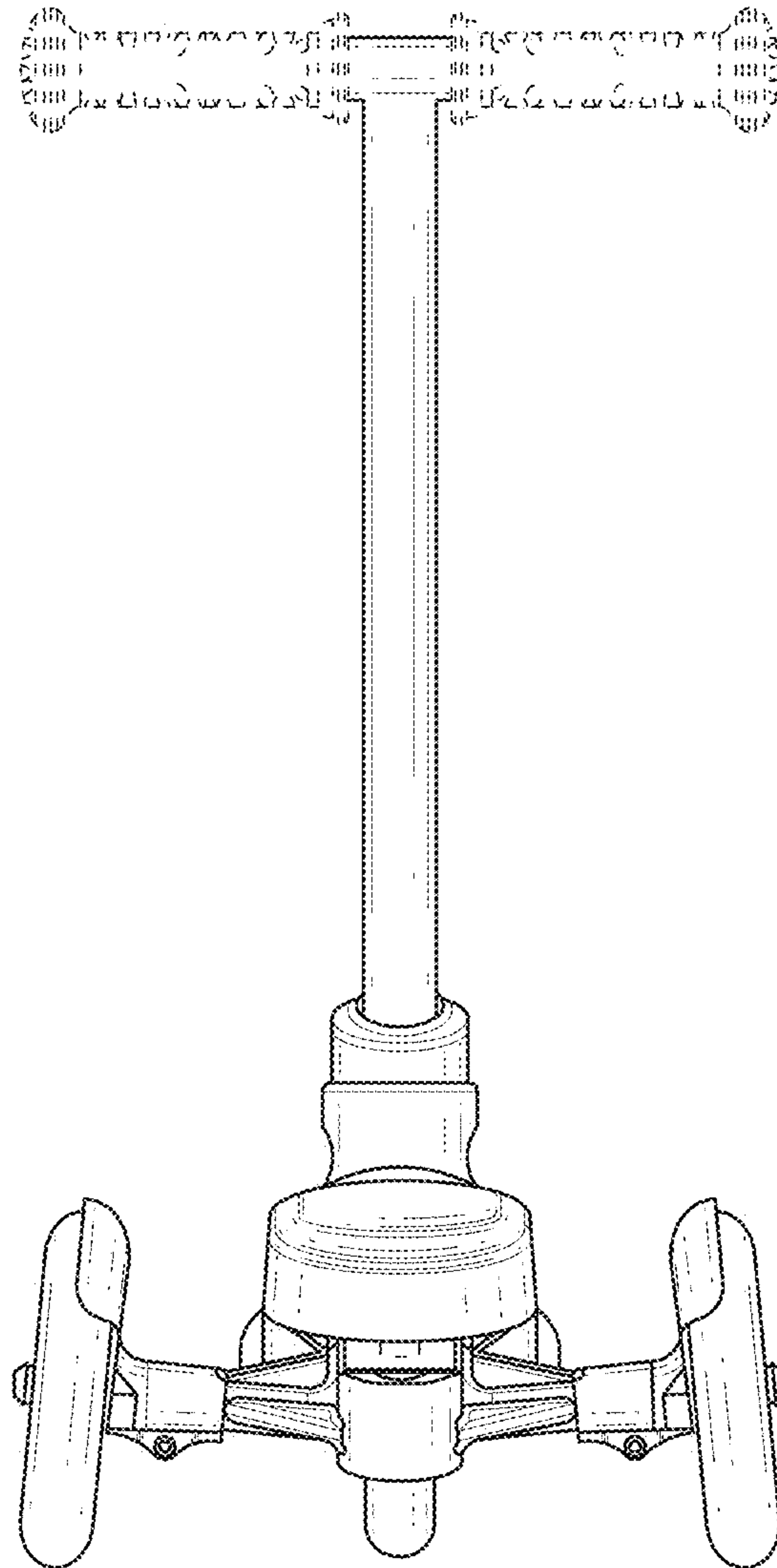


FIG. 3

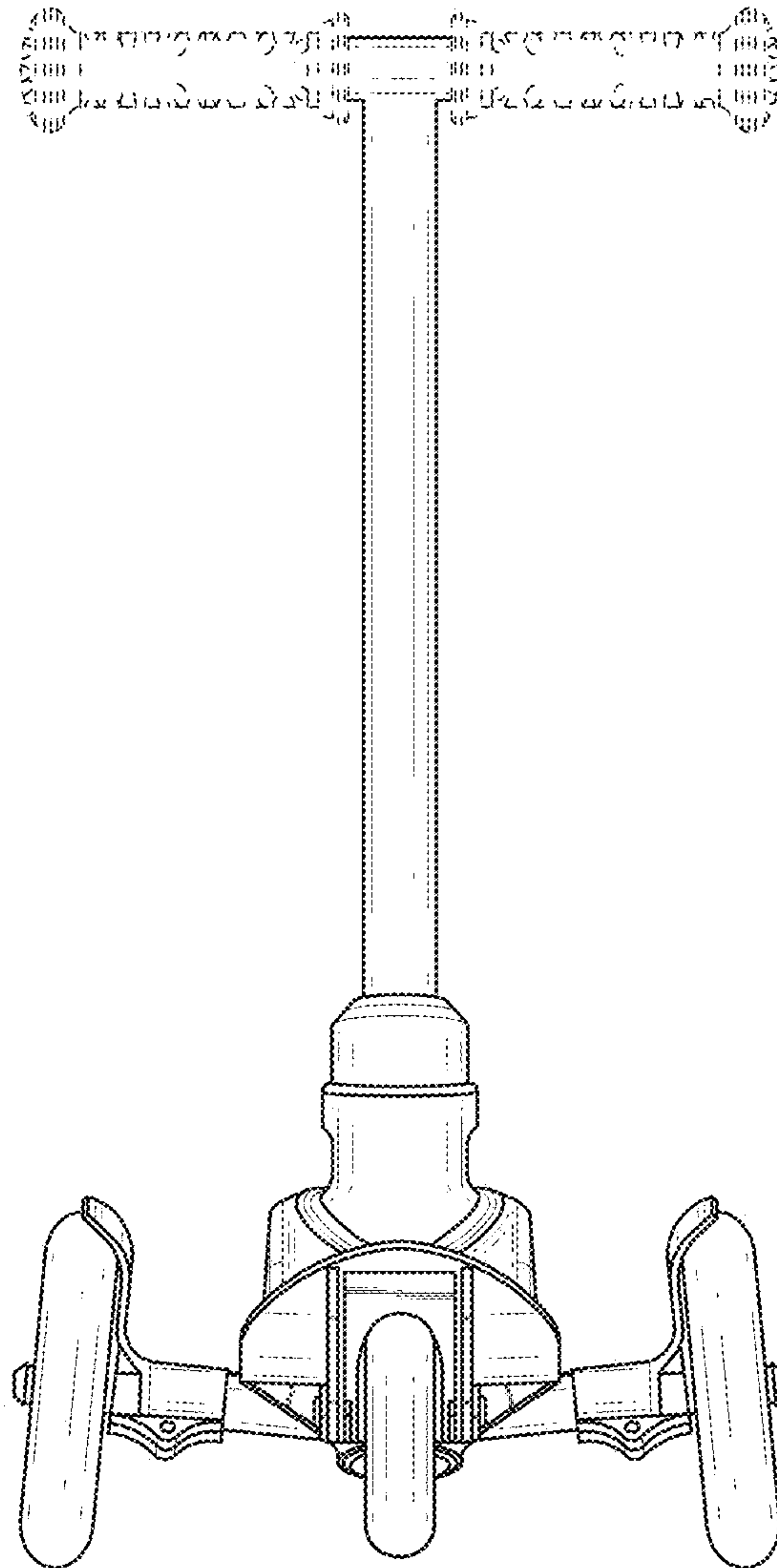


FIG. 4

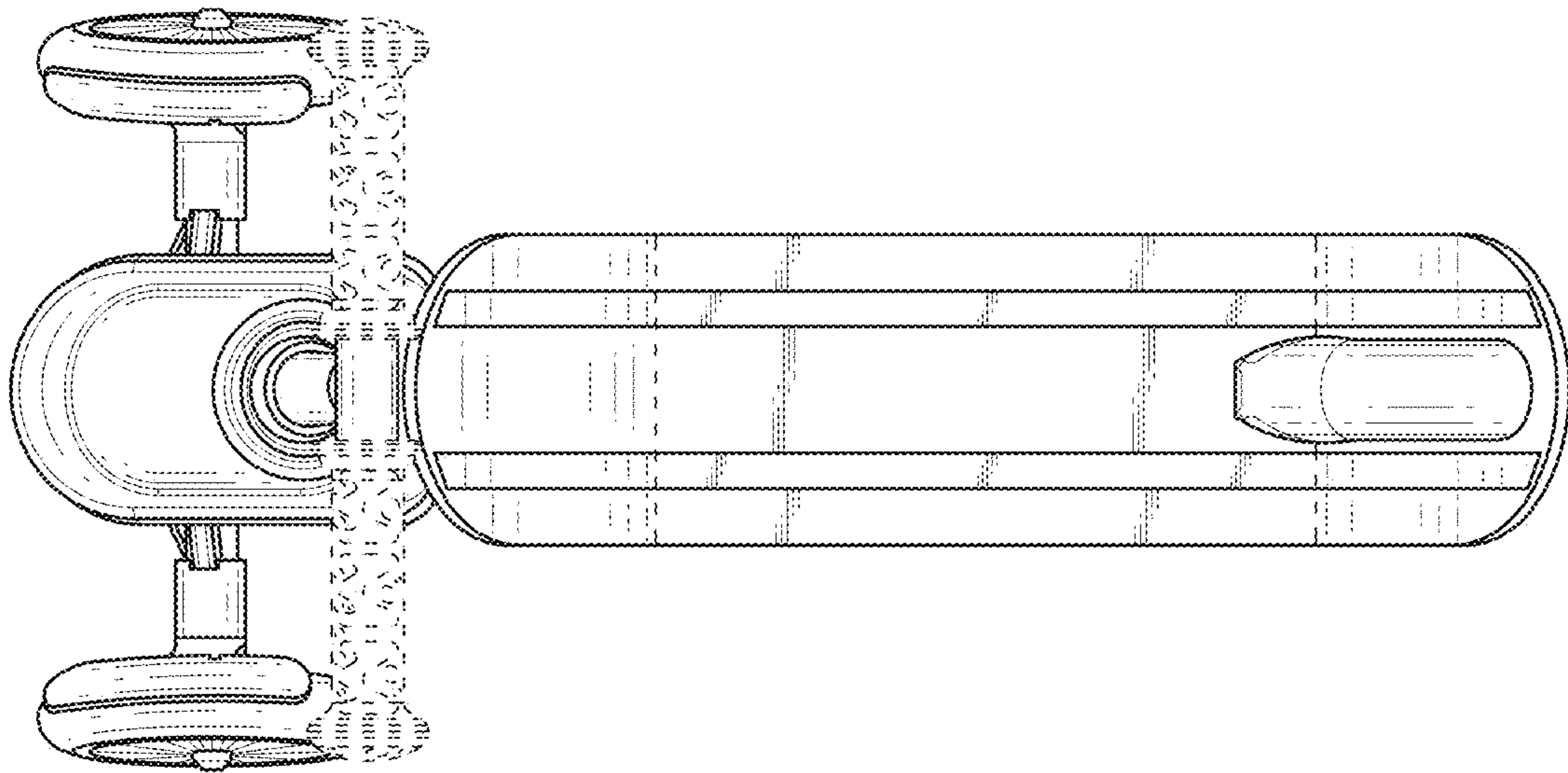


FIG. 5

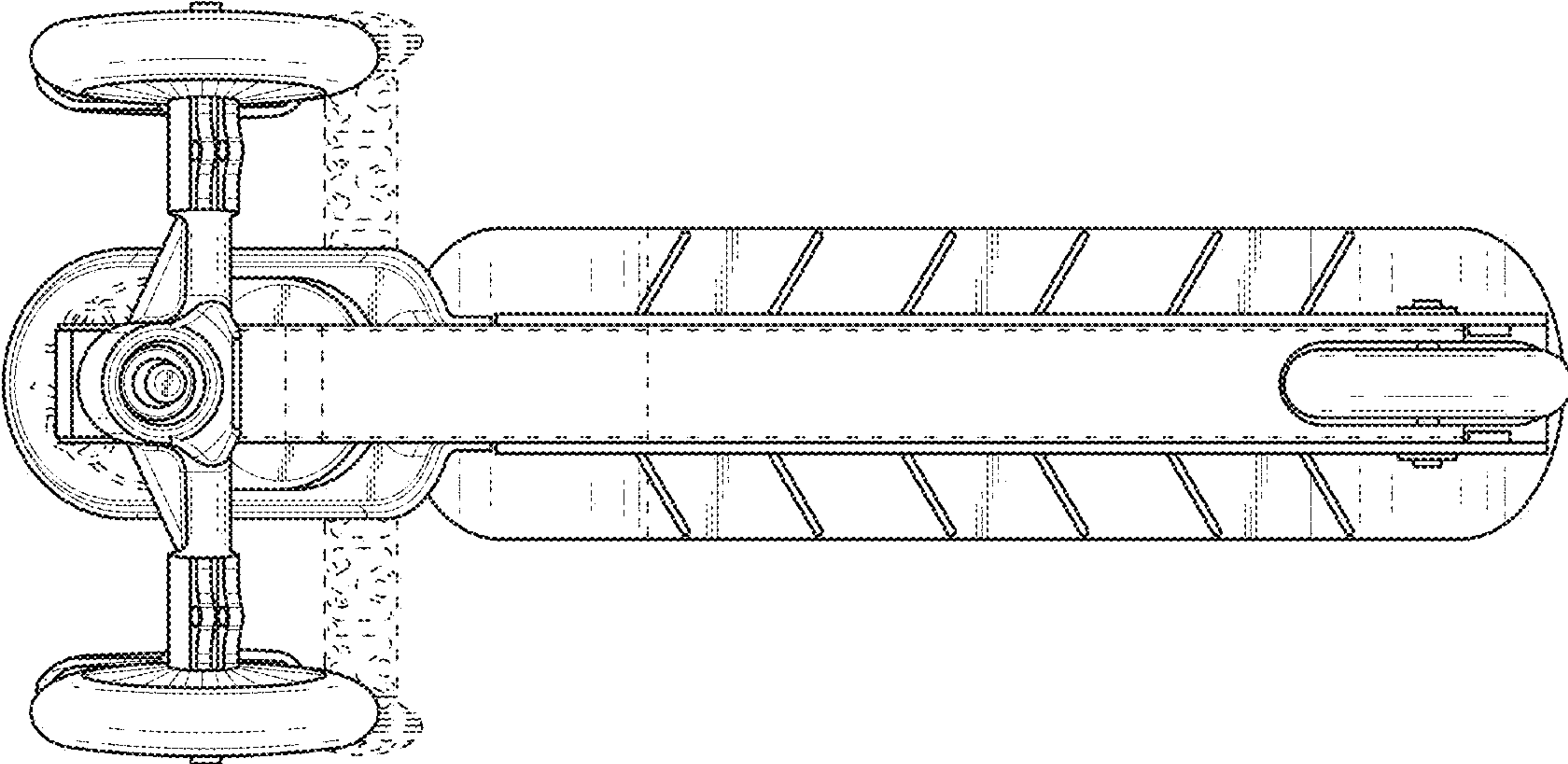


FIG. 6