



US00D967275S

(12) **United States Design Patent** (10) **Patent No.:** **US D967,275 S**  
**McGowan et al.** (45) **Date of Patent:** **\*\* Oct. 18, 2022**

(54) **SCOOTER WITH FRONT PLATE**  
(71) Applicant: **Yvolve Sports Ltd.**, Dublin (IE)  
(72) Inventors: **John McGowan**, Balbriggan (IE);  
**Ailish Reidy**, Dublin (IE)  
(73) Assignee: **YVOLVE SPORTS LTD.**, Dublin (IE)  
(\*\*) Term: **15 Years**  
(21) Appl. No.: **29/741,263**  
(22) Filed: **Jul. 10, 2020**  
(51) **LOC (13) Cl.** ..... **21-01**  
(52) **U.S. Cl.**  
USPC ..... **D21/423**; D21/435  
(58) **Field of Classification Search**  
USPC ..... D21/419, 421, 423, 760, 763, 765, 771;  
D12/1, 8, 107, 110, 112-114  
CPC .. B62K 3/002; B62K 5/08; B62K 5/02; A63C  
17/01; A63C 17/02; A63C 17/04; A63C  
17/014; A63C 17/265  
See application file for complete search history.

D492,914 S \* 7/2004 VanPelt, II ..... D12/8  
D564,037 S \* 3/2008 Cramer ..... D21/423  
D648,402 S \* 11/2011 Wang ..... D21/423  
(Continued)

FOREIGN PATENT DOCUMENTS

CN 203127076 U \* 8/2013 ..... B62K 21/16  
CN 305516865 \* 12/2019  
(Continued)

OTHER PUBLICATIONS

“Phat ® Kids Scooter,” Aug. 9, 2017, amazon.ca, site visited Apr. 5, 2022, URL: [https://www.amazon.ca/PHAT%C2%AE-Foldable-Mini-Kick-Scooter/dp/B078K9LM21/ref=sr\\_1\\_25?crd=262TSZUPKYWTX&keywords=three+wheel+toy+scooter&qid=1649168497&srefix=three+wheel+toy+scooter%2Caps%2C72&sr=8-25](https://www.amazon.ca/PHAT%C2%AE-Foldable-Mini-Kick-Scooter/dp/B078K9LM21/ref=sr_1_25?crd=262TSZUPKYWTX&keywords=three+wheel+toy+scooter&qid=1649168497&srefix=three+wheel+toy+scooter%2Caps%2C72&sr=8-25) (Year: 2017).\*

(Continued)

*Primary Examiner* — Eric L Goodman  
*Assistant Examiner* — Sarah L Smith

(57) **CLAIM**

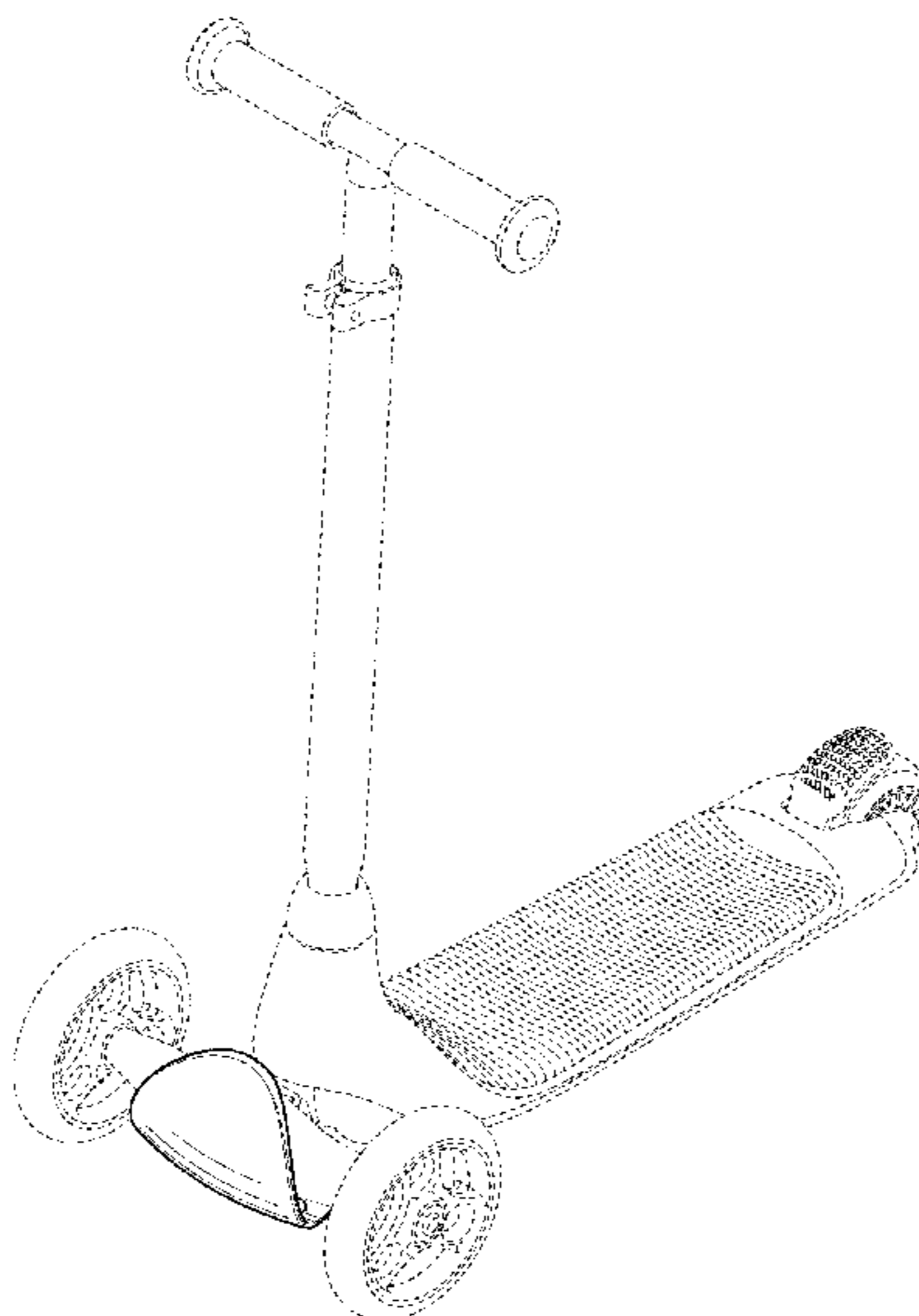
The ornamental design for a scooter with front plate, as shown and described.

**DESCRIPTION**

FIG. 1 is a perspective view from above, to the front and to the left side of the new design for a scooter with front plate; FIG. 2 is a perspective view from below, to the rear and to the right side thereof; FIG. 3 is a front view thereof; FIG. 4 is a rear view thereof; FIG. 5 is a right side view thereof; FIG. 6 is a left side view thereof; FIG. 7 is a top plan view thereof; and, FIG. 8 is a bottom plan view thereof. In the drawings, the broken lines are for the purpose of illustrating portions of the article that form no part of the claim.

**1 Claim, 8 Drawing Sheets**

(56) **References Cited**  
U.S. PATENT DOCUMENTS  
2,620,199 A \* 12/1952 Maly ..... B62B 13/12  
280/22.1  
3,525,411 A \* 8/1970 Hagen ..... B62B 17/04  
280/26  
3,762,736 A \* 10/1973 Johnson ..... B62B 17/00  
280/24  
4,078,780 A \* 3/1978 Schwarz ..... A63C 11/04  
269/88  
D257,336 S \* 10/1980 Brumbt ..... A63C 11/04  
D12/8  
D287,869 S \* 1/1987 Robic ..... D21/766  
D294,962 S \* 3/1988 Robic ..... D21/766  
D296,311 S \* 6/1988 Dunmon, Jr. .... D12/11  
D328,576 S \* 8/1992 Weiss ..... D12/9



(56)

References Cited

U.S. PATENT DOCUMENTS

D728,033 S \* 4/2015 O'Connell ..... D21/423  
 D738,435 S \* 9/2015 O'Connell ..... B62K 3/002  
 D21/423  
 10,137,955 B1 \* 11/2018 Wu ..... B62K 3/002  
 D860,330 S \* 9/2019 Xu ..... D21/423  
 D879,884 S \* 3/2020 Desberg ..... D21/423  
 D884,085 S \* 5/2020 Li ..... D21/423  
 D898,833 S \* 10/2020 Mazoyer ..... B62B 13/12  
 D21/423  
 D908,807 S \* 1/2021 Wang ..... D21/423  
 D914,105 S \* 3/2021 Mazoyer ..... A63C 17/265  
 D21/423  
 D923,716 S \* 6/2021 Liu ..... D21/423  
 2005/0140117 A1 \* 6/2005 Spanier ..... A63C 5/025  
 280/602  
 2018/0185739 A1 \* 7/2018 McGowan ..... A63C 17/265

FOREIGN PATENT DOCUMENTS

CN 213262794 U \* 5/2021  
 EP 2444307 A1 \* 4/2012 ..... B62K 3/002

WO WO-2015192773 A1 \* 12/2015 ..... B62K 15/00  
 WO WO-2016034975 A1 \* 3/2016 ..... B62H 7/00  
 WO D200611-001 \* 5/2019 ..... B62K 15/00

OTHER PUBLICATIONS

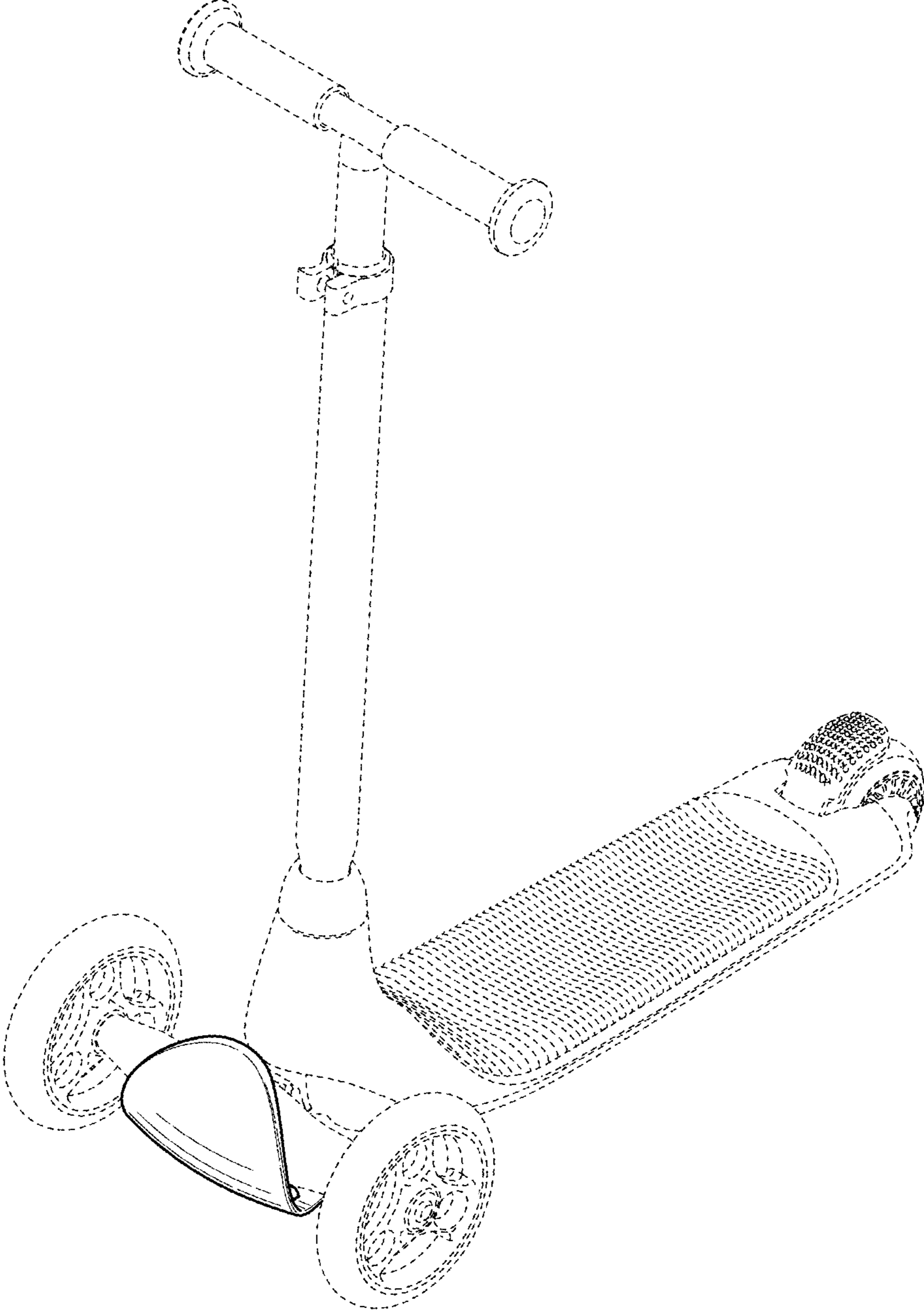
"IDesign Over The Door Plastic Dual Hook Hanger," Jul. 29, 2015, amazon.ca, site visited Apr. 5, 2022, URL: <https://www.amazon.ca/InterDesign-Organizer-Hooks-Coats-Towels/dp/B00WSO8T4/> (Year: 2015).\*

"Phat ® Kids Scooter," Aug. 9, 2017, amazon.ca, site visited Apr. 5, 2022, URL: <https://www.amazon.ca/PHAT%C2%AE-Foldable-Mini-Kick-Scooter/dp/B078K9LM21/> (Year: 2017).\*

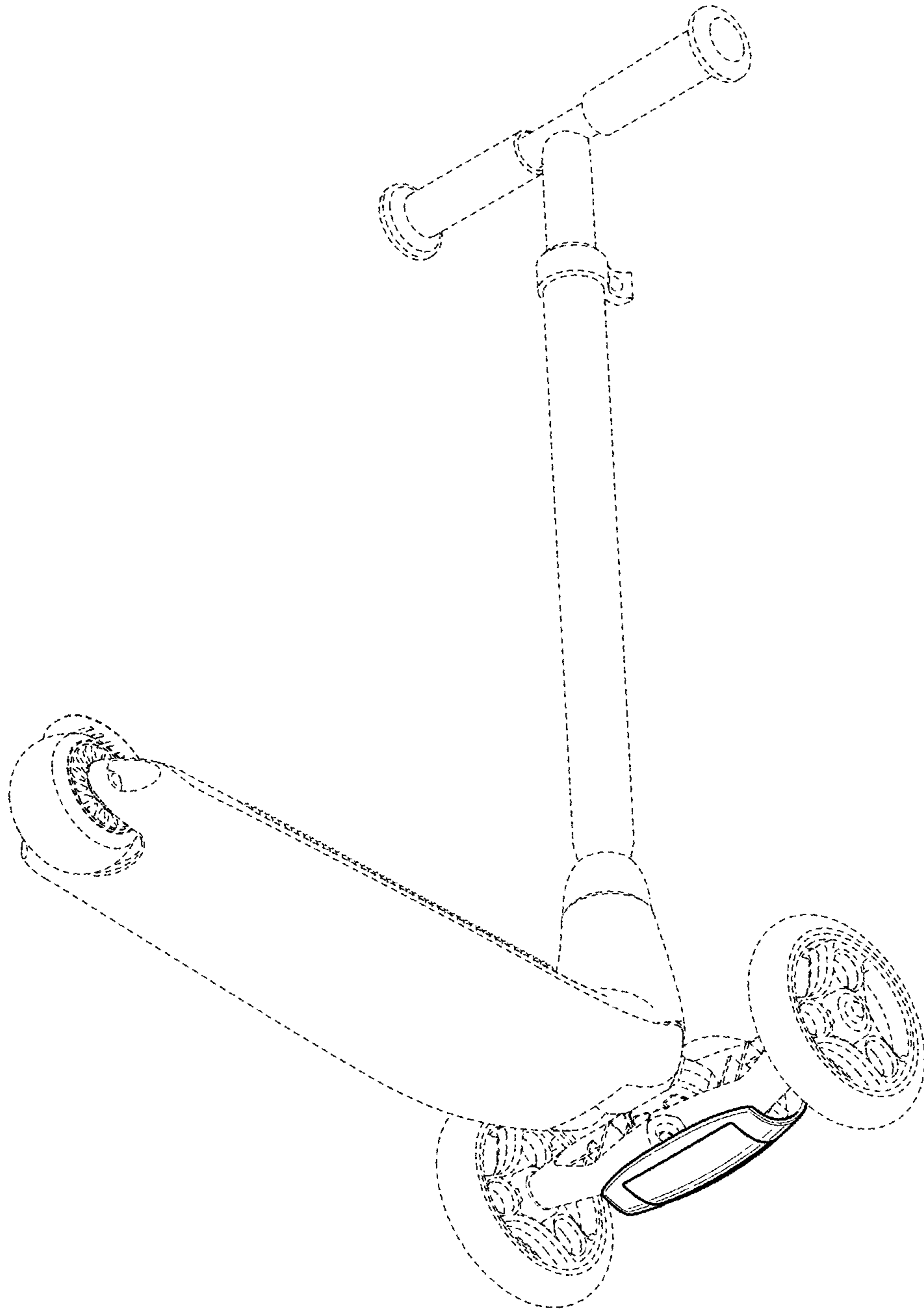
"Yoleo Scooter for Kids," Apr. 23, 2019, us.amazon.com, site visited Jun. 14, 2022, URL: <https://us.amazon.com/Yoleo-Scooter-Wheels-Extra-Toddlers/dp/B07QXWLTT7> (Year: 2019).\*

"Goplus Snow Racer Sled," Dec. 2, 2019, amazon.com, site visited Jun. 14, 2022, URL: [https://www.amazon.com/Goplus-Steering-Retractable-Children-Teenager/dp/B0827KNCBM/ref=sr\\_1\\_37?crid=3B6BJ05O53RGS&keywords=scooter%2Bsled&qid=1655155712&prefix=scooter%2Bsled%2Caps%2C84&sr=8-37&th=1](https://www.amazon.com/Goplus-Steering-Retractable-Children-Teenager/dp/B0827KNCBM/ref=sr_1_37?crid=3B6BJ05O53RGS&keywords=scooter%2Bsled&qid=1655155712&prefix=scooter%2Bsled%2Caps%2C84&sr=8-37&th=1) (Year: 2019).\*

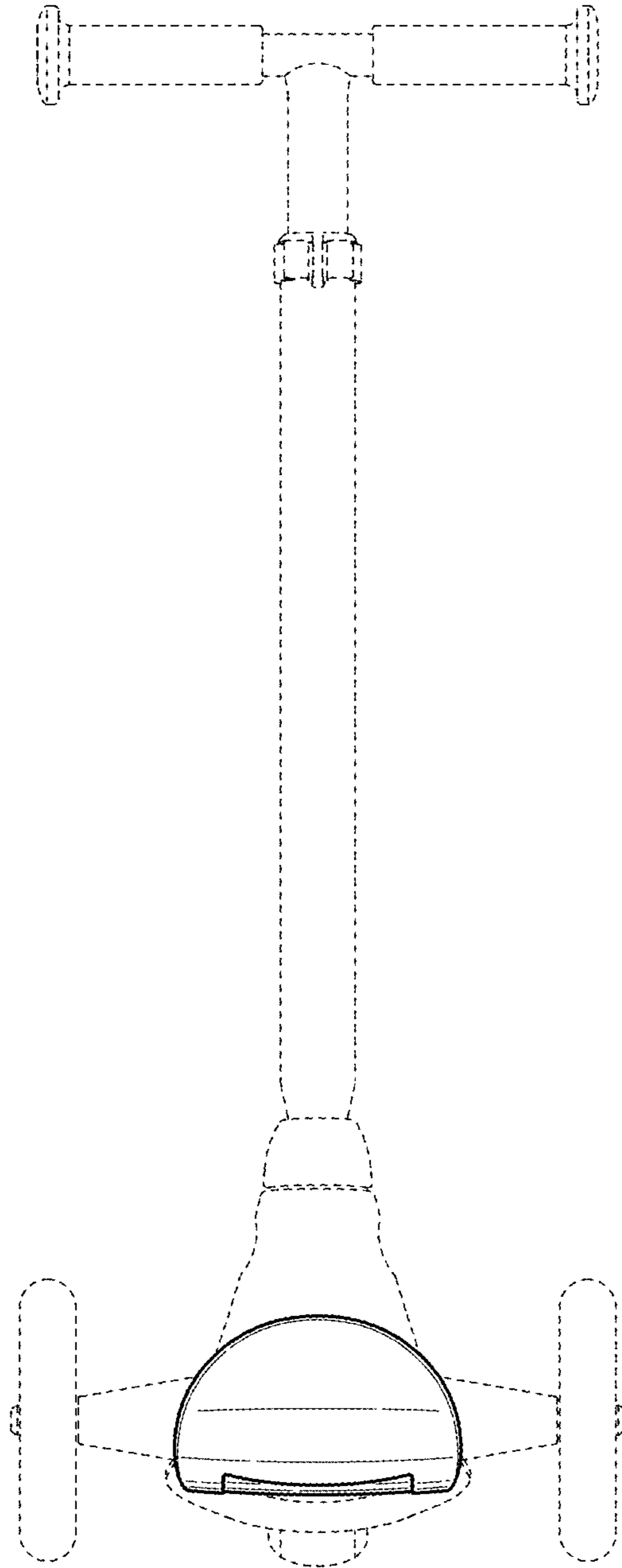
\* cited by examiner



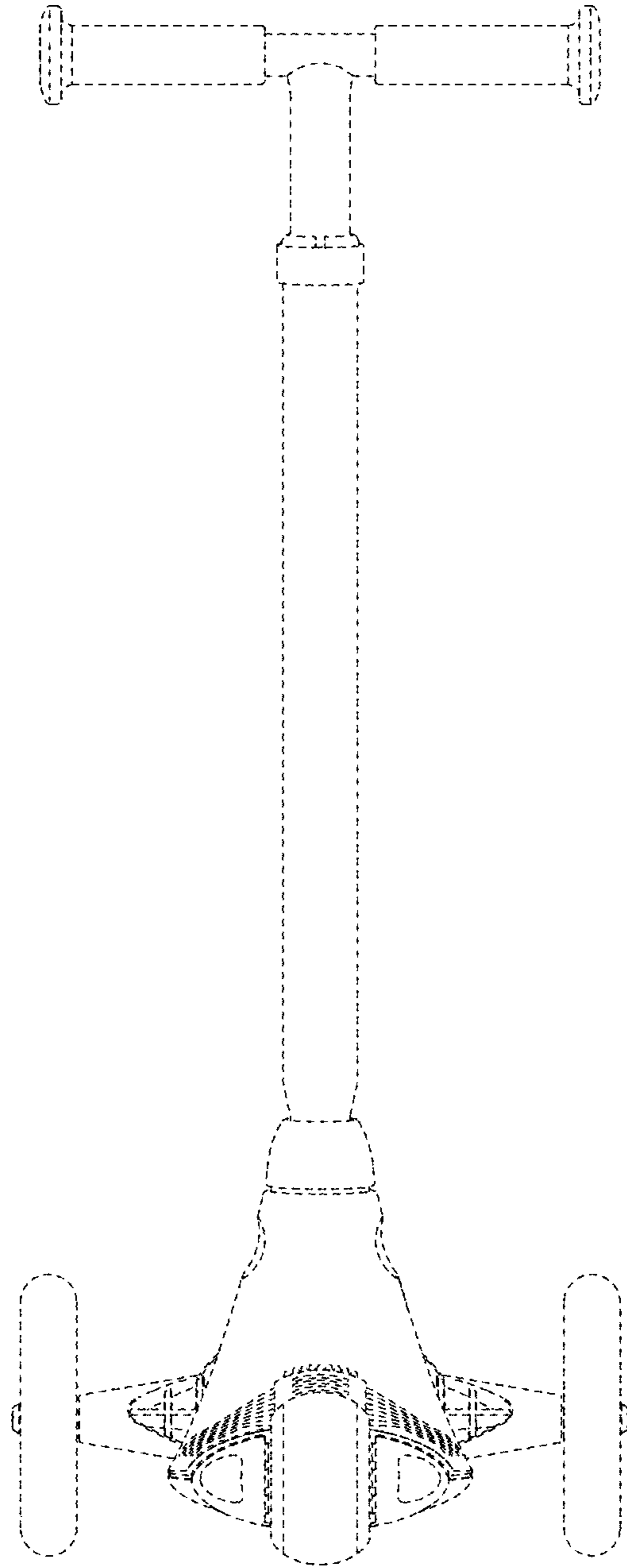
**FIG. 1**



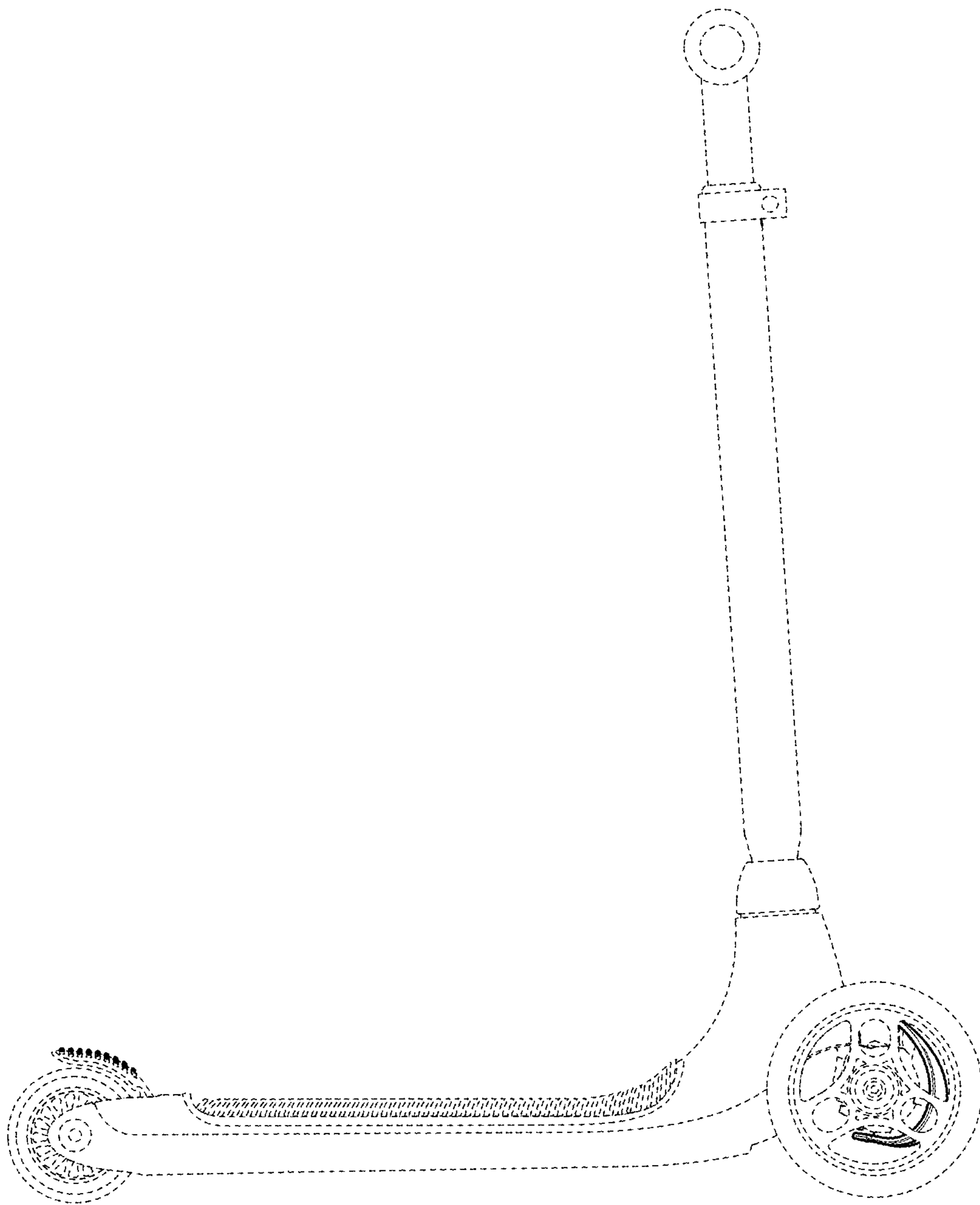
**FIG. 2**



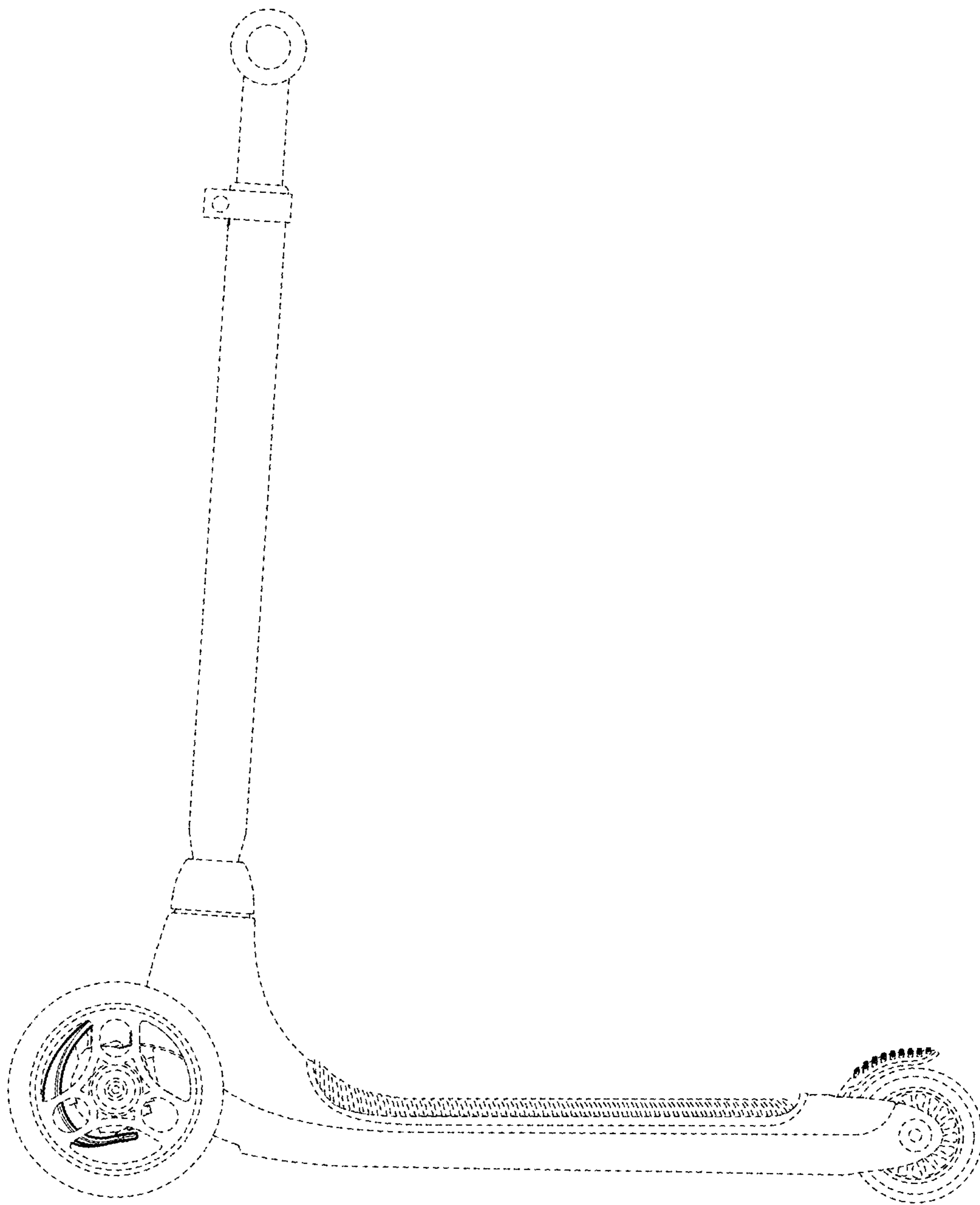
**FIG. 3**



**FIG. 4**

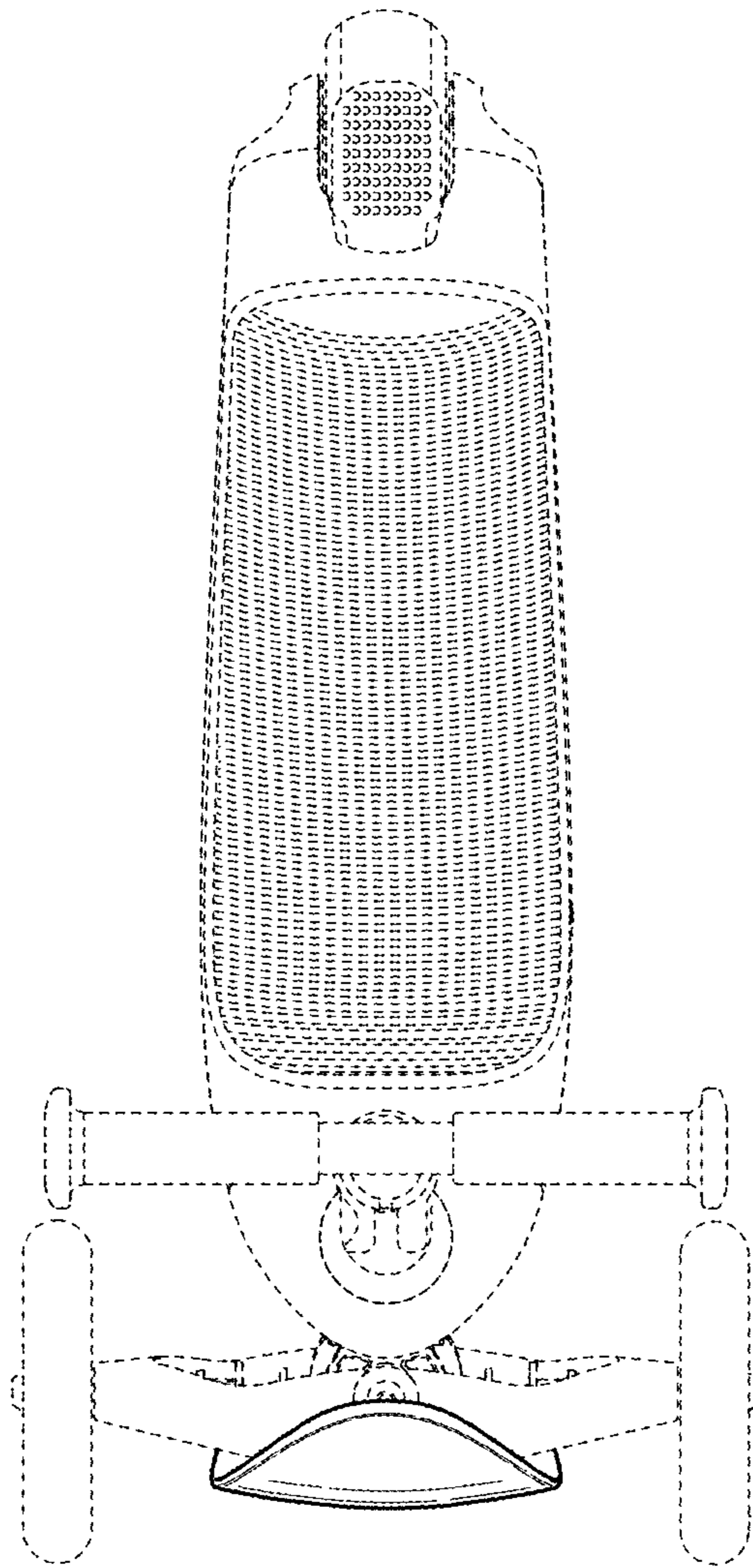


**FIG. 5**

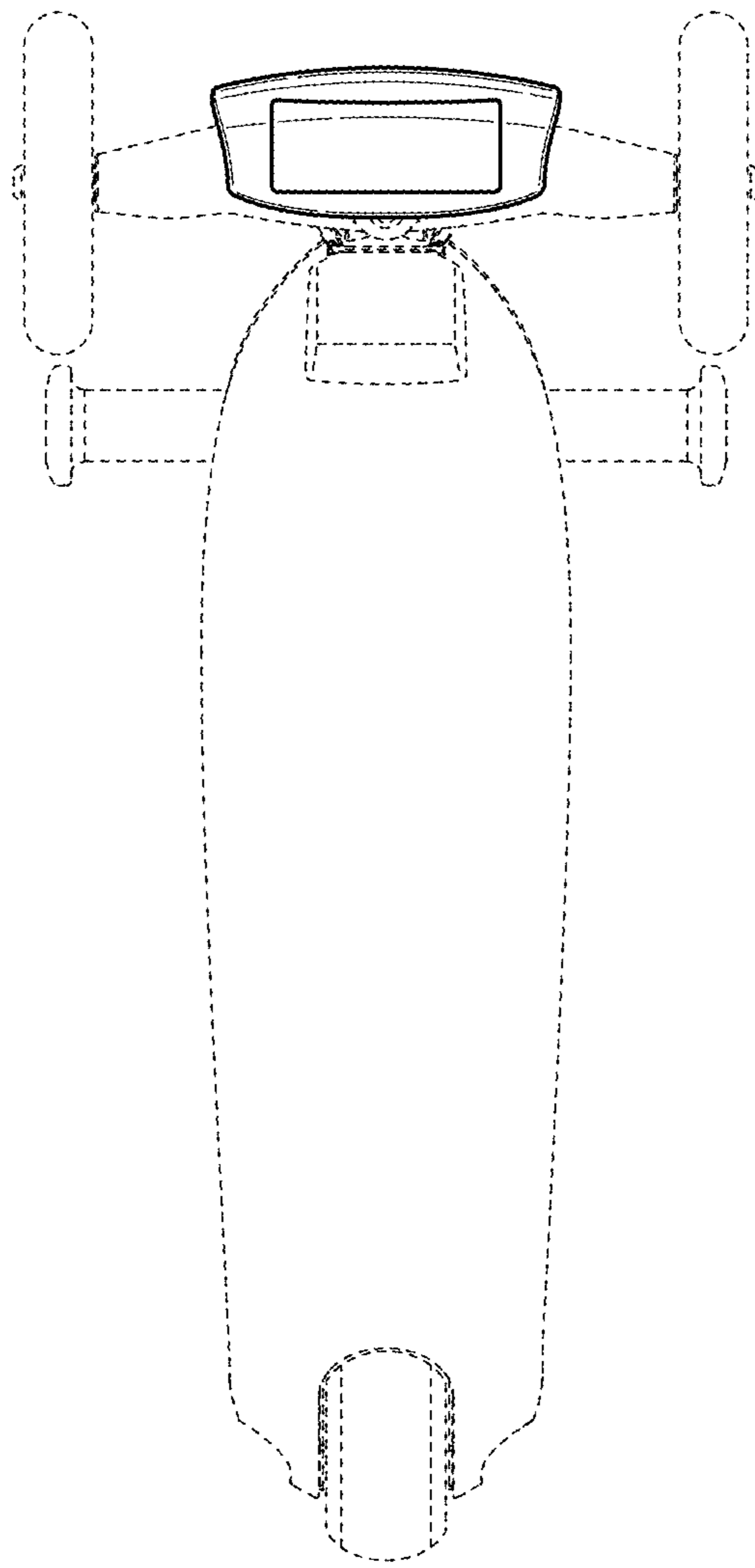


**FIG. 6**





**FIG. 7**



**FIG. 8**