

US00D967273S

(12) **United States Design Patent**
Visser et al.

(10) **Patent No.:** **US D967,273 S**
(45) **Date of Patent:** **** Oct. 18, 2022**

(54) **GAMING MACHINE**

(71) Applicant: **Aristocrat Technologies Australia Pty Limited**, North Ryde (AU)

(72) Inventors: **Antoon Visser**, Coogee (AU); **Nicholas Callaway**, Drummoyne (AU)

(73) Assignee: **ARISTOCRAT TECHNOLOGIES AUSTRALIA PTY LIMITED**, North Ryde (AU)

(**) Term: **15 Years**

(21) Appl. No.: **29/722,758**

(22) Filed: **Jan. 31, 2020**

(30) **Foreign Application Priority Data**

Aug. 1, 2019 (AU) 201914310

(51) **LOC (13) Cl.** **21-03**

(52) **U.S. Cl.**
USPC **D21/369**

(58) **Field of Classification Search**
USPC D21/369, 324, 333, 395, 300, 371, 385,
D21/397, 363, 365, 366, 367, 325, 642,
D21/370, 383, 360, 415, 428, 584, 329,
D21/349, 393, 657, 659, 658
See application file for complete search history.

(56) **References Cited**

U.S. PATENT DOCUMENTS

D196,564 S	10/1963	Miller	
D225,517 S *	12/1972	Coplon D25/31
D248,570 S	7/1978	Smith	
D248,982 S *	8/1978	Cook D21/327
4,293,898 A	10/1981	Budnovitch	
4,739,594 A	4/1988	Langford	
D370,313 S	5/1996	Nottingham	
5,524,458 A	6/1996	Buchner	

(Continued)

OTHER PUBLICATIONS

Dragon mart dubai emirate, announced 2015 [online], [site visited Jun. 2, 2021]. Available on internet, URL:https://www.tripadvisor.com.vn/LocationPhotoDirectLink-g295424-d1221662-i158091175-Dragon_Mart-Dubai_Emirate_of_Dubai.html (Year: 2015).*

(Continued)

Primary Examiner — Khawaja Anwar

Assistant Examiner — Julice Seung Eun Oum

(74) *Attorney, Agent, or Firm* — McAndrews Held & Malloy, Ltd.

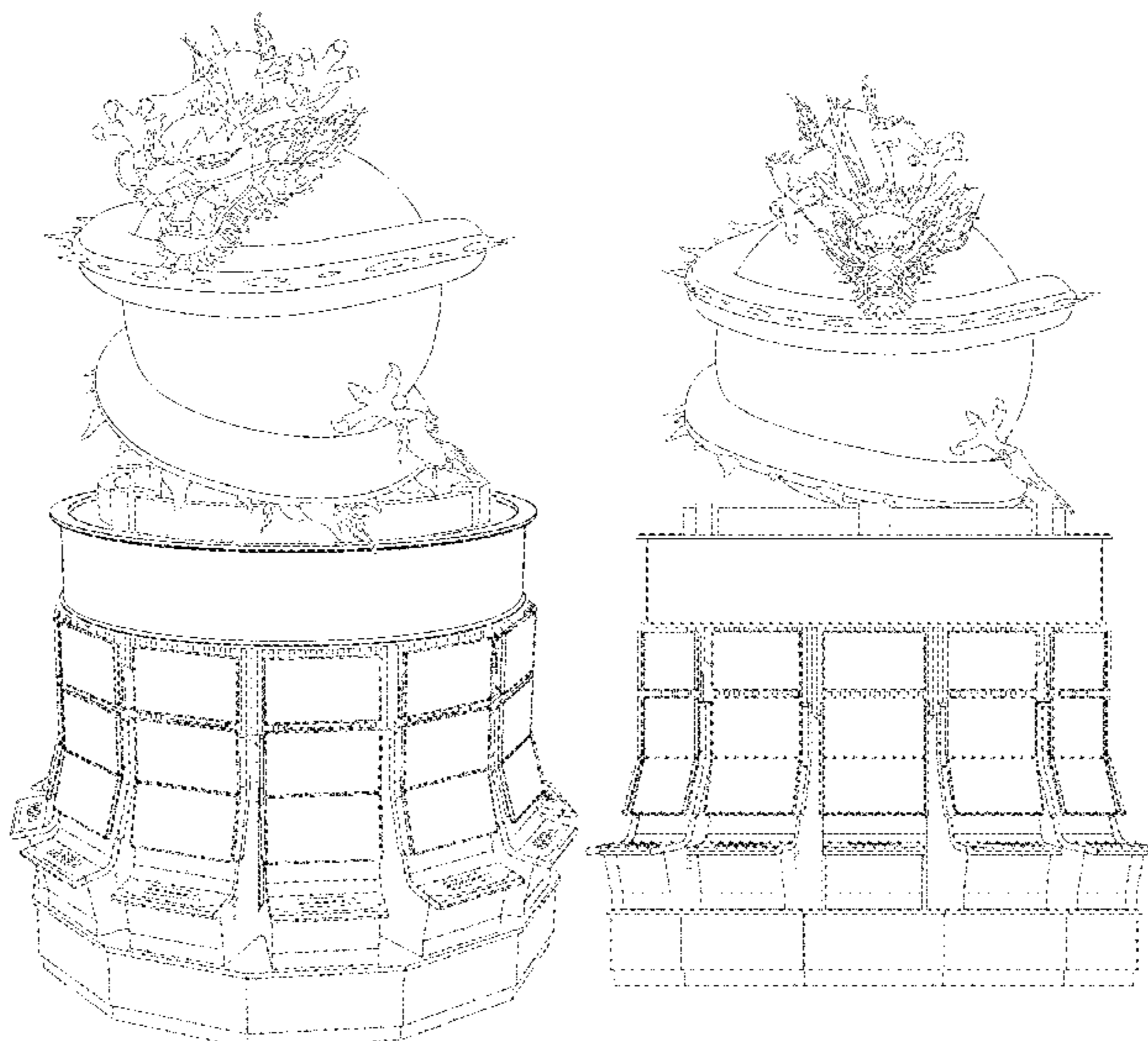
(57) **CLAIM**

The ornamental design for a gaming machine, as shown and described.

DESCRIPTION

FIG. 1 is a front perspective view of a gaming machine showing our new design, showing the gaming machine in a first configuration;
FIG. 2 is a front elevation view thereof;
FIG. 3 is a rear elevation view thereof;
FIG. 4 is a right side elevation view thereof;
FIG. 5 is a left side elevation view thereof;
FIG. 6 is a top plan view thereof;
FIG. 7 is another front elevation view thereof, showing the gaming machine in a second configuration;
FIG. 8 is another front elevation view thereof, showing the gaming machine in a third configuration;
FIG. 9 is another front elevation view thereof, showing the gaming machine in a fourth configuration; and,
FIG. 10 is another front elevation view thereof, showing the gaming machine in a fifth configuration.
The dashed broken lines in the figures illustrate portions of the gaming machine that form no part of the claimed design.

1 Claim, 10 Drawing Sheets



(56)

References Cited

U.S. PATENT DOCUMENTS

5,857,910 A * 1/1999 Watanabe A63F 7/045
463/17
D439,282 S * 3/2001 Yamaguchi D21/329
D537,887 S * 3/2007 Gardiner D21/397
D548,288 S * 8/2007 Baerlocher D21/369
D563,572 S * 3/2008 Lukacs D26/2
D572,770 S * 7/2008 Seelig D21/370
D592,708 S * 5/2009 Hsu D21/369
D597,144 S * 7/2009 Myers D21/370
D605,780 S 12/2009 Uffner
D613,343 S * 4/2010 Inoue D21/369
D614,244 S * 4/2010 Inoue D21/371
7,699,316 B2 * 4/2010 Seelig G07F 17/38
273/144 B
7,727,065 B2 * 6/2010 Seelig G07F 17/3244
463/20
8,337,298 B2 12/2012 Baerlocher
D705,363 S * 5/2014 Inoue D21/369
D707,302 S * 6/2014 Inoue D21/369
D714,392 S * 9/2014 Arabian D21/369
D714,875 S * 10/2014 Wudtke D21/385
D759,903 S 6/2016 Justiniano
D810,830 S * 2/2018 Sharp D21/329
9,937,411 B2 * 4/2018 Okuaki G07F 17/3202
D827,154 S * 8/2018 Lee D25/31
D847,257 S * 4/2019 Phang D19/61
D880,605 S * 4/2020 Bussey D21/369
2011/0053676 A1 3/2011 Wolf
2011/0281641 A1 * 11/2011 Weller G07F 17/3255
463/25
2012/0266104 A1 10/2012 Shah
2014/0274313 A1 * 9/2014 Bala G06Q 30/06
463/25
2017/0294147 A1 * 10/2017 Lin G09B 27/06
2018/0225915 A1 8/2018 Hughes
2019/0114873 A1 4/2019 Minor
2020/0352014 A1 11/2020 Matsumoto
2021/0208764 A1 * 7/2021 Xing G06F 3/04815

OTHER PUBLICATIONS

Oncpcare store, announced 2019 [online], [site visited Jul. 13, 2021]. Available on internet, URL: <https://www.amazon.com/Pavilion->

[Aquarium-Decoration-Landscape-Accessories/dp/B07QVZVJ5Q/ref=sr_1_77?dchild=1&keywords=pagoda+statue&qid=1622728091&sr=8-77](https://www.amazon.com/Pavilion-Decorations-Landscape-Accessories/dp/B07QVZVJ5Q/ref=sr_1_77?dchild=1&keywords=pagoda+statue&qid=1622728091&sr=8-77) (Year: 2019).*

Backyard discovery store, announced 2019 [online], [site visited Jul. 13, 2021]. Available on internet, URL: [Amazon.com: Backyard Discovery 12' by 10' Cedar Pergola: Garden & Outdoor](https://www.amazon.com/Backyard-Discovery-12-by-10-Cedar-Pergola-Garden-Outdoor/dp/B07QVZVJ5Q/ref=sr_1_77?dchild=1&keywords=pagoda+statue&qid=1622728091&sr=8-77) (Year: 2016).*

Wow paper art store, announced 2016 [online], [site visited Jul. 13, 2021]. Available on internet, URL: [Amazon.com : Torii Gate Japan—3D Pop Up Greeting Card for All Occasions—Gift for Family, Friends, Loved Ones—Fold Flat, Envelope : Office Products](https://www.amazon.com/Torii-Gate-Japan-3D-Pop-Up-Greeting-Card-for-All-Occasions-Gift-for-Family-Friends-Loved-ones-Fold-Flat-Envelope-Office-Products/dp/B07QVZVJ5Q/ref=sr_1_77?dchild=1&keywords=pagoda+statue&qid=1622728091&sr=8-77) (Year: 2016).*

Office Action dated Jul. 8, 2020 for U.S. Appl. No. 15/523,807 (pp. 1-10).

Office Action dated Jul. 20, 2021 for U.S. Appl. No. 29/722,769 (pp. 1-10).

Office Action dated Jul. 20, 2021 for U.S. Appl. No. 29/722,797 (pp. 1-9).

Oncpcare store pavilion, announced 2019 [online], [site visited Jul. 12, 2021]. Available on internet, URL: https://www.amazon.com/Pavilion-Aquarium-Decorations-Landscape-Accessories/dp/B07QVZVJ5Q/ref=sr_1_77?dchild=1&keywords=pagoda+statue&qid=1622728091&sr=8-77 (Year: 2019).

Backyard discovery store, announced 2016 [online], [site visited Jul. 12, 2021]. Available on internet, URL: [Amazon.com: Backyard Discovery 12' by 10' Cedar Pergola: Garden & Outdoor](https://www.amazon.com/Backyard-Discovery-12-by-10-Cedar-Pergola-Garden-Outdoor/dp/B07QVZVJ5Q/ref=sr_1_77?dchild=1&keywords=pagoda+statue&qid=1622728091&sr=8-77) (Year: 2016).

Wowpaperart, announced 2016[online], [site visited Jul. 12, 2021]. Available on internet, URL: [Amazon.com: Torii Gate Japan—3D Pop Up Greeting Card for All Occasions—Gift for Family, Friends, Loved Ones—Fold Flat, Envelope : Office Products](https://www.amazon.com/Torii-Gate-Japan-3D-Pop-Up-Greeting-Card-for-All-Occasions-Gift-for-Family-Friends-Loved-ones-Fold-Flat-Envelope-Office-Products/dp/B07QVZVJ5Q/ref=sr_1_77?dchild=1&keywords=pagoda+statue&qid=1622728091&sr=8-77) (Year: 2016).

Office Action (Notice of Allowance and Fees Due (PTOL-85)) dated Sep. 1, 2021 for U.S. Appl. No. 16/523,807 (pp. 1-7).

Office Action dated Sep. 14, 2021 for U.S. Appl. No. 29/722,769 (pp. 1-7).

Office Action dated Sep. 14, 2021 for U.S. Appl. No. 29/722,797 (pp. 1-5).

Notice of Allowance dated Dec. 13, 2021 for U.S. Appl. No. 29/722,769 (pp. 1-6).

Notice of Allowance dated Dec. 13, 2021 for U.S. Appl. No. 29/722,797 (pp. 1-6).

* cited by examiner

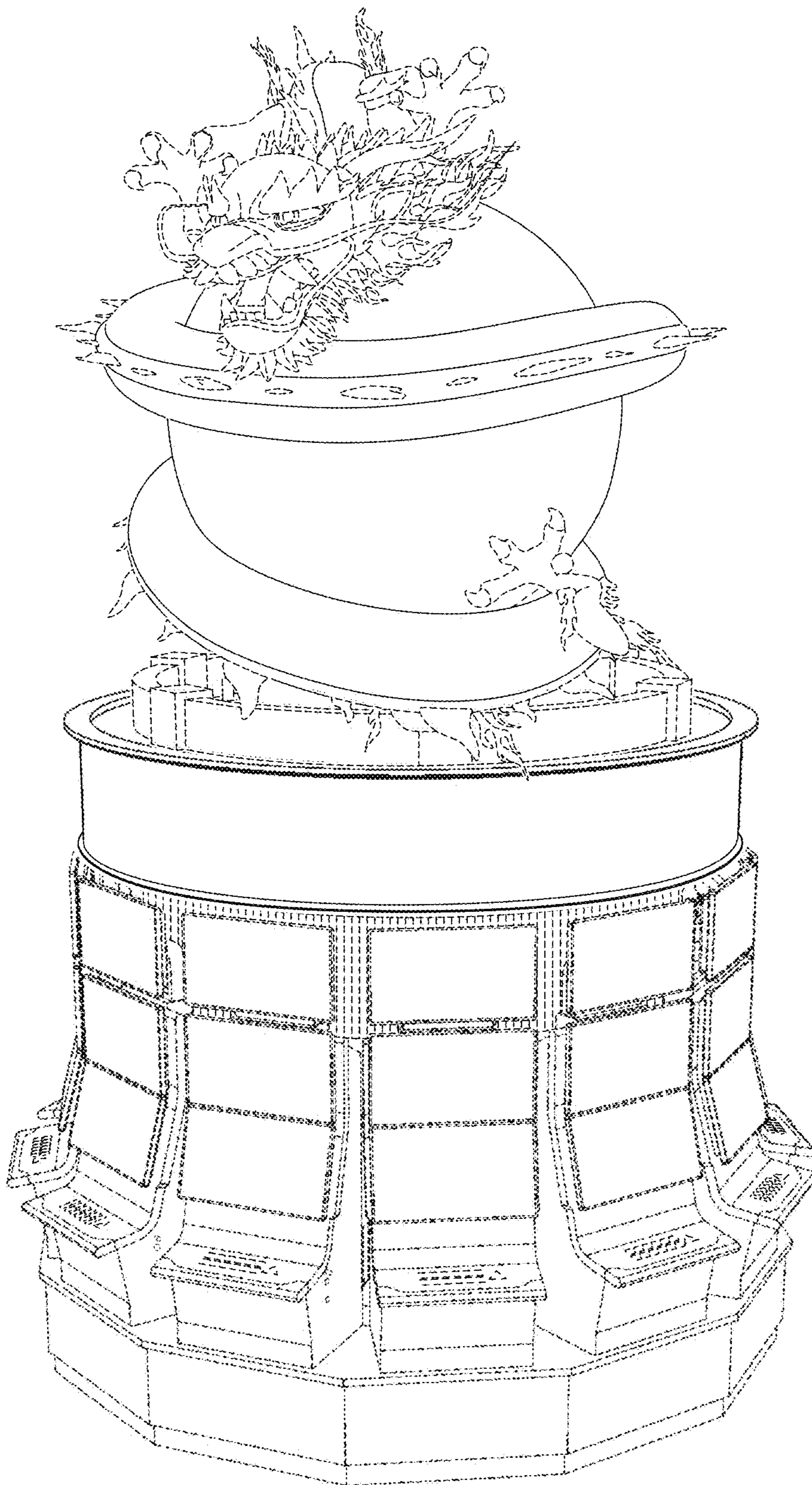


FIG. 1

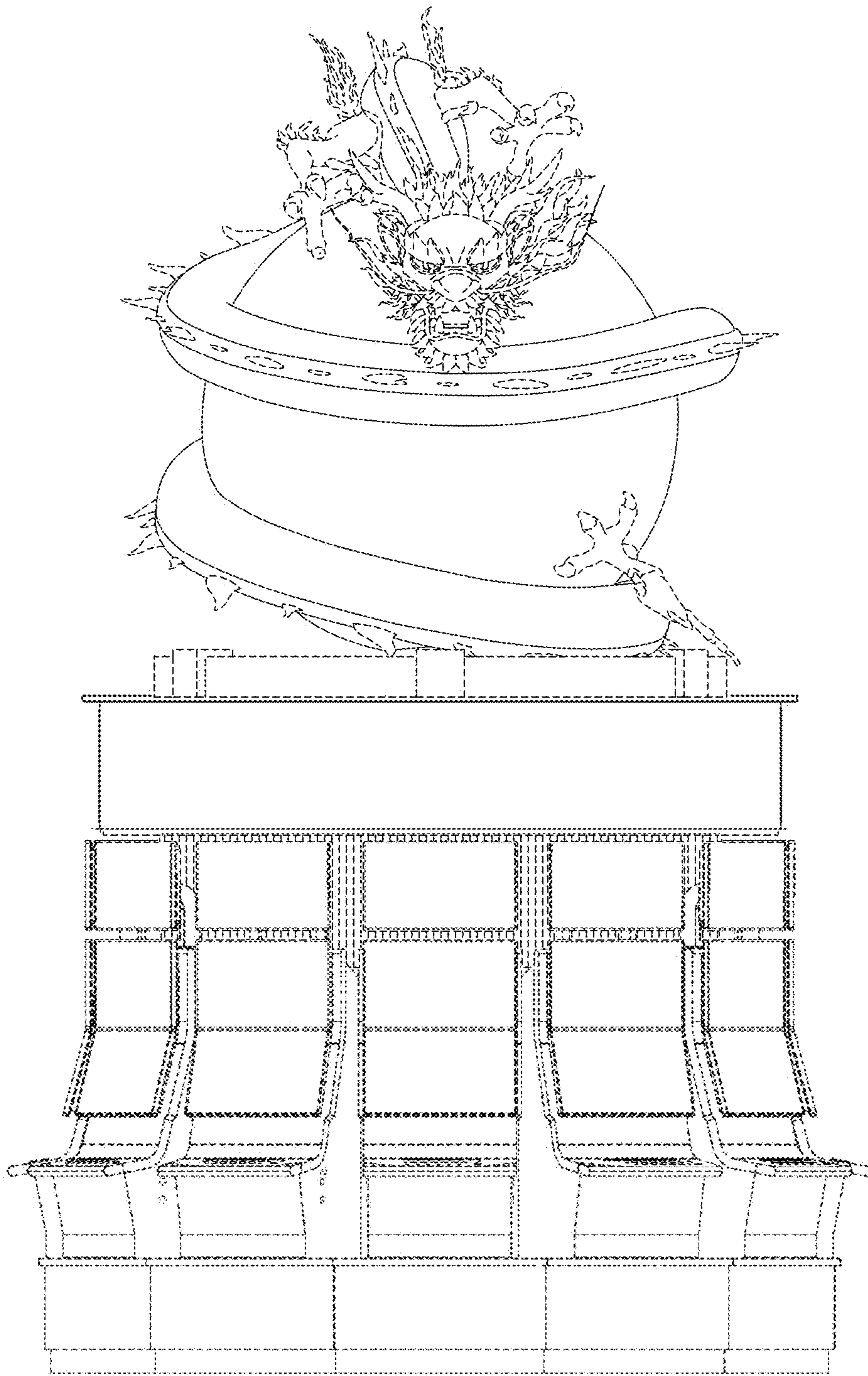


FIG. 2

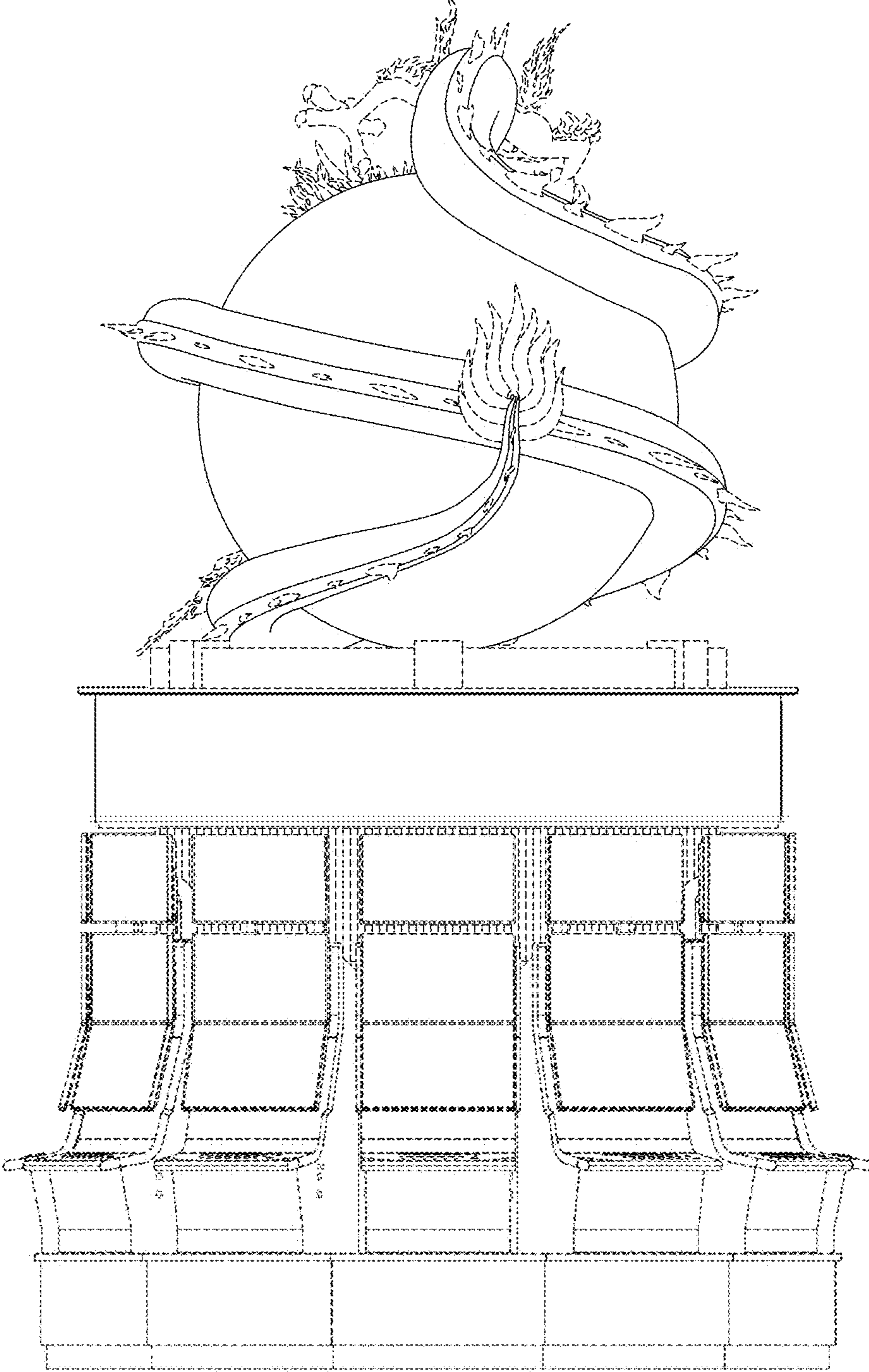


FIG. 3

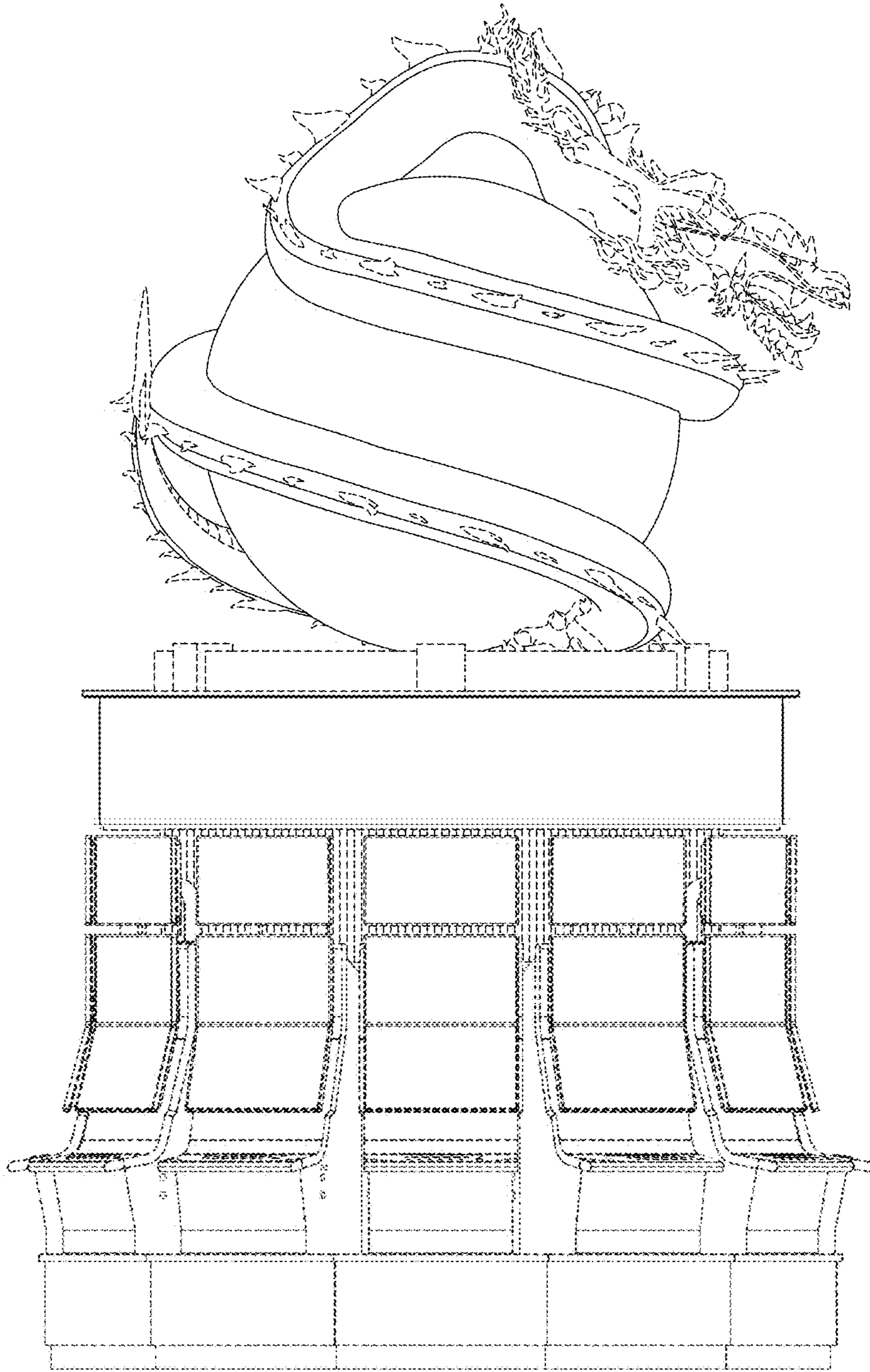


FIG. 4

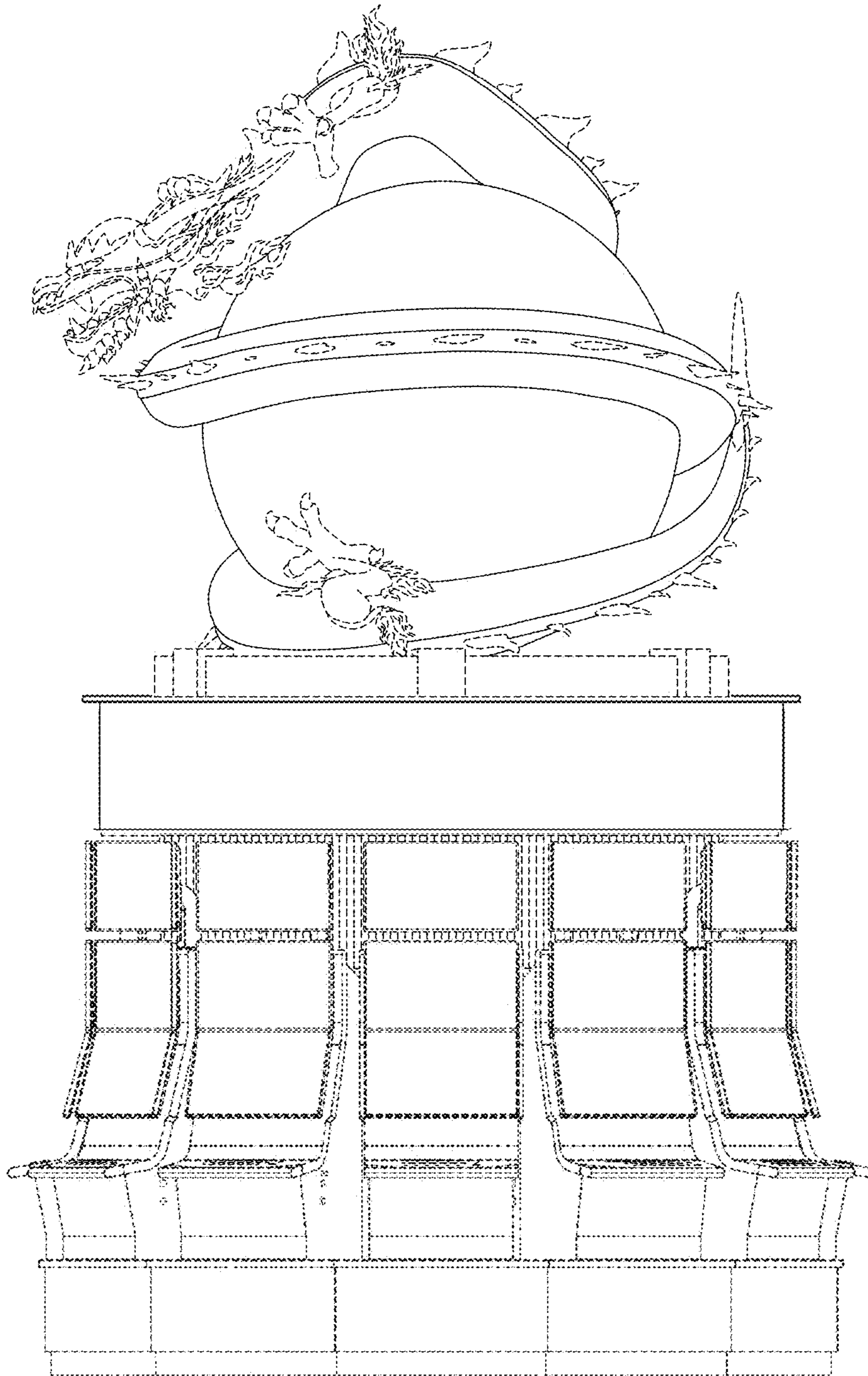


FIG. 5

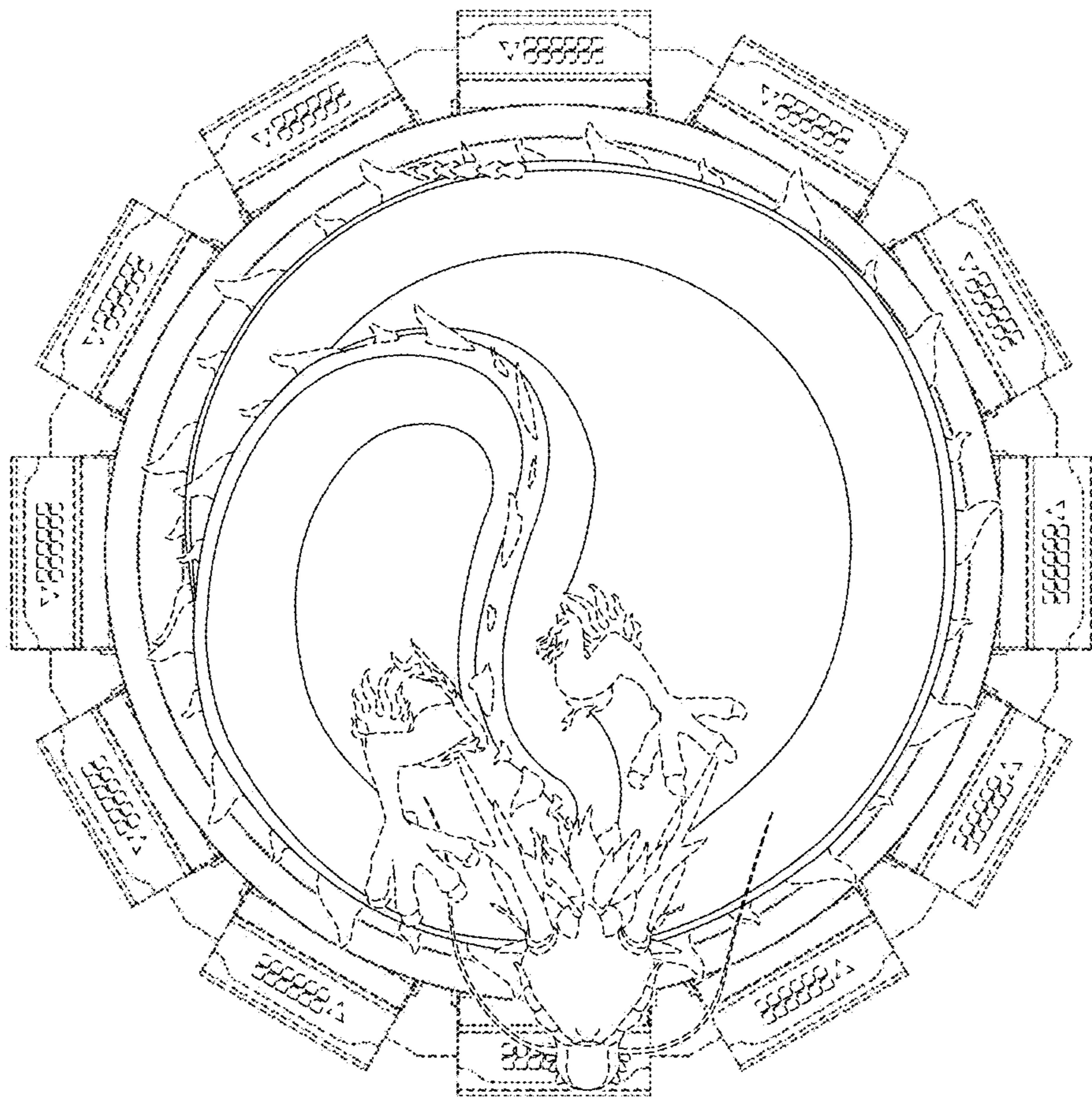


FIG. 6

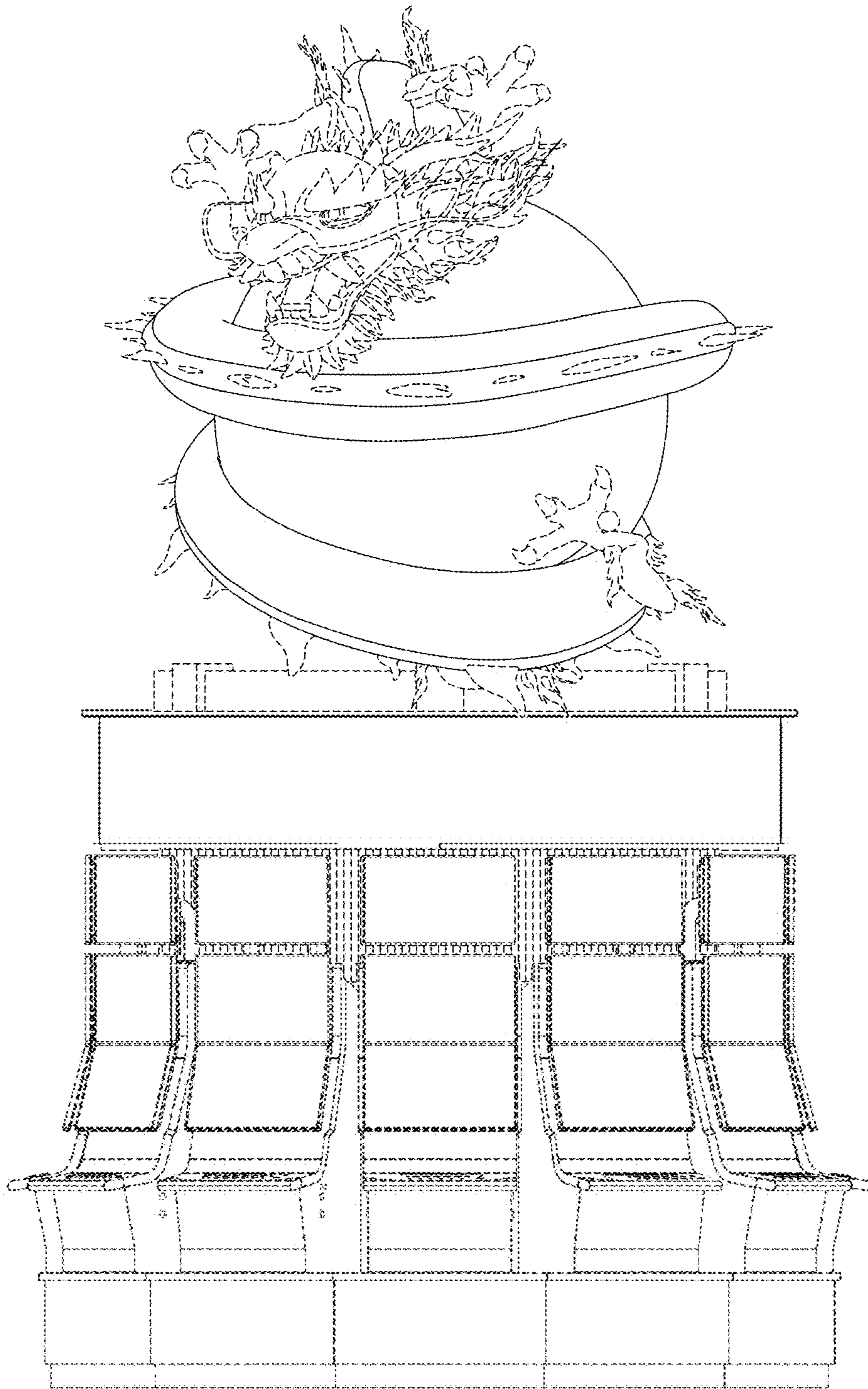


FIG. 7

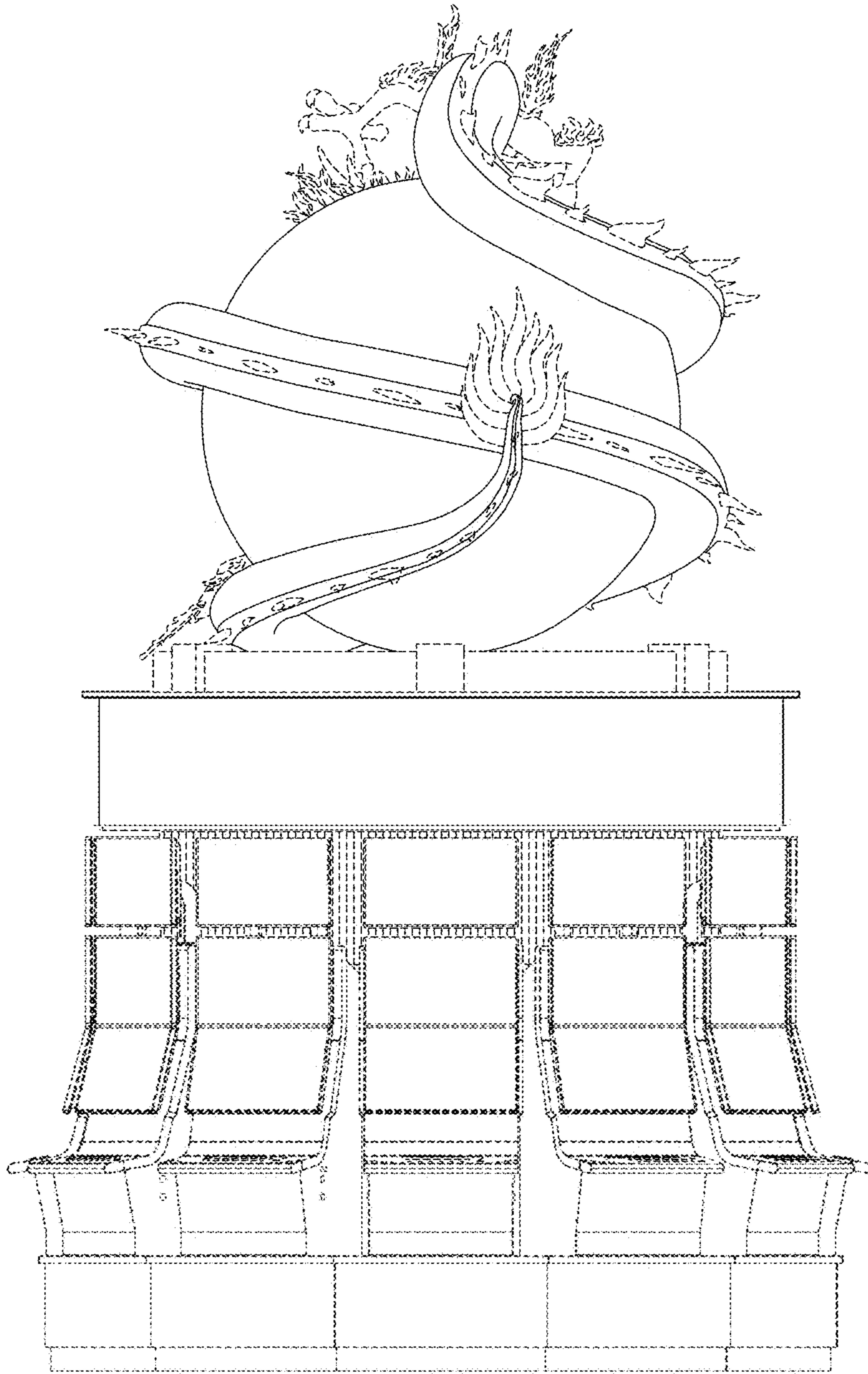


FIG. 8

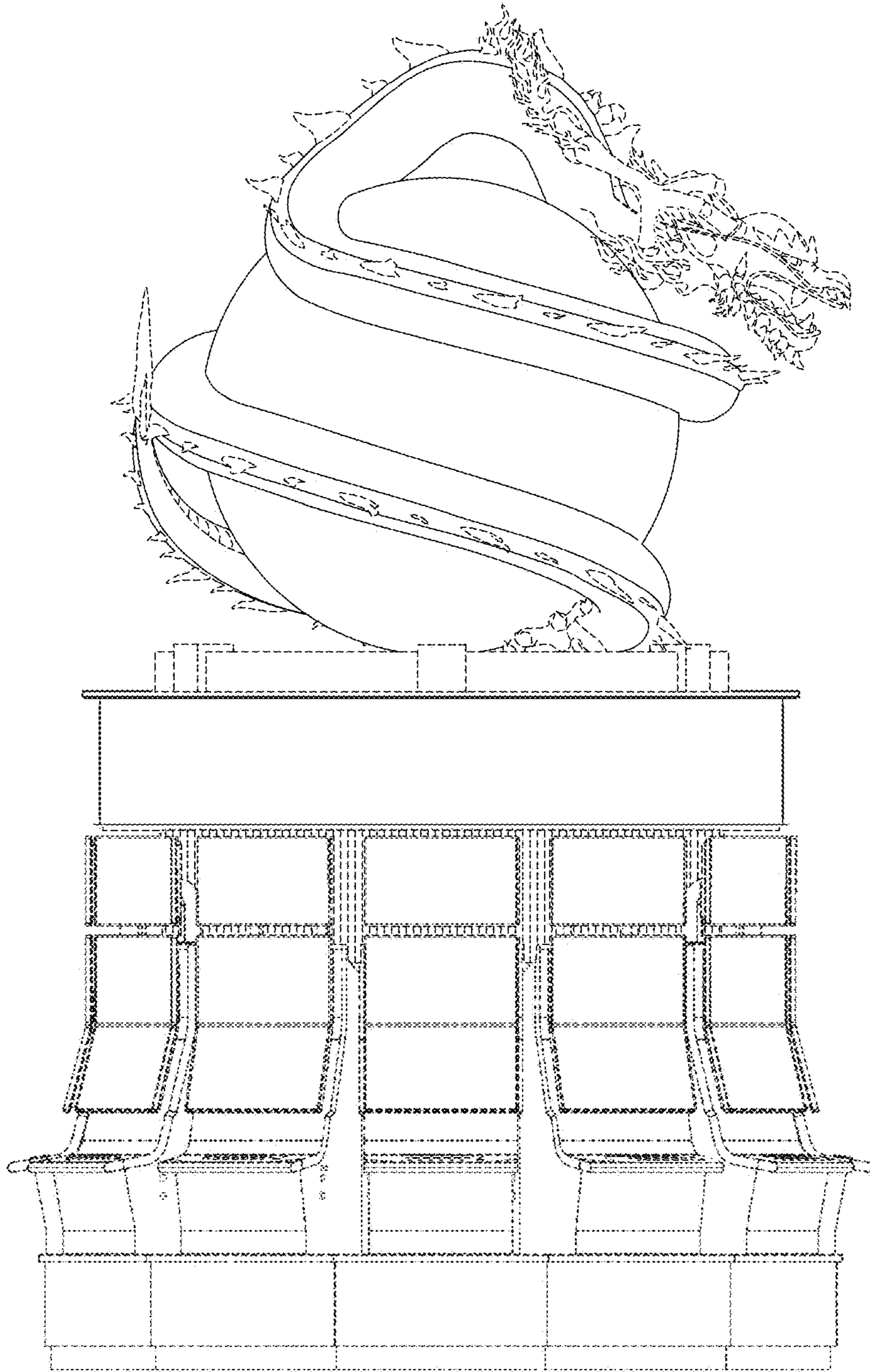


FIG. 9

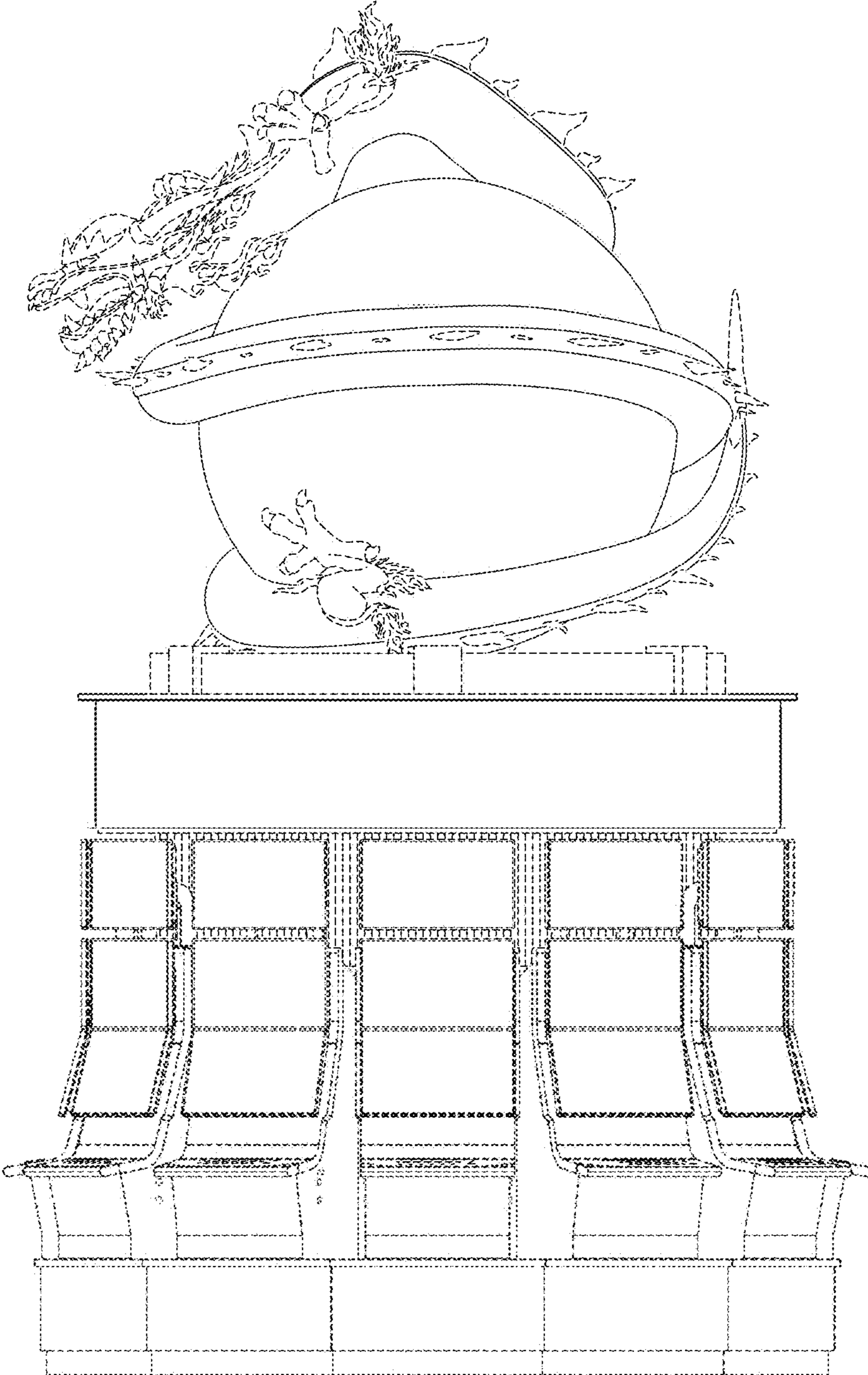


FIG. 10