

US00D967272S

(12) **United States Design Patent**
Jackermeier

(10) **Patent No.:** **US D967,272 S**
(45) **Date of Patent:** **** Oct. 18, 2022**

(54) **ACCESSORY FOR VIDEO GAMES,
ELECTRONIC GAMES CONSOLES AND
COMPUTER GAMES**

(71) Applicant: **Endor AG**, Landshut (DE)
(72) Inventor: **Thomas Jackermeier**, Landshut (DE)
(**) Term: **15 Years**

(21) Appl. No.: **35/512,336**

(22) Filed: **Apr. 28, 2021**

(80) **Hague Agreement Data**

Int. Filing Date: **Apr. 28, 2021**
Int. Reg. No.: **DM/215610**
Int. Reg. Date: **Apr. 28, 2021**
Int. Reg. Pub. Date: **Aug. 13, 2021**

(51) **LOC (13) Cl.** **21-01**

(52) **U.S. Cl.**
USPC **D21/333**

(58) **Field of Classification Search**
USPC D21/327, 685, 686, 696, 697, 698, 731;
D13/167; D12/39, 42, 306, 415
CPC .. B60N 2/2812; B60N 2/2845; B60N 2/2884;
B64D 11/0649; B64D 11/0607; A47C
7/14; A47C 9/002; A47C 3/025; A47C
7/024; A47C 7/029; A63B 23/0429; A63B
22/0069; A63B 22/0056
See application file for complete search history.

(56) **References Cited**

U.S. PATENT DOCUMENTS

D281,343 S * 11/1985 Krive 482/71
D348,492 S * 7/1994 Konarski, II D21/673
D349,542 S * 8/1994 Russell D21/685
D358,625 S * 5/1995 Enriquez, Jr. D29/101.1
D519,583 S * 4/2006 Chen D21/668
D520,083 S * 5/2006 Lu D21/685
D545,772 S * 7/2007 Schurg D13/167

D589,460 S * 3/2009 Yang D13/167
D615,596 S * 5/2010 Bik D21/324
D642,222 S * 7/2011 Pezzoni D21/333
8,061,767 B2 * 11/2011 Kunzler A47C 9/002
297/284.3
D753,231 S * 4/2016 Sakai D21/326
D773,567 S * 12/2016 Chuang D21/668
D848,380 S * 5/2019 Yasutomi D13/167
D852,562 S * 7/2019 Jui D6/716
10,369,906 B2 * 8/2019 Gay B60N 2/2812
D863,232 S * 10/2019 Oberlaender D13/167
D868,007 S * 11/2019 Felsch v. Wild D13/167
D875,194 S * 2/2020 Zhou D21/688
D884,076 S * 5/2020 Quinn D21/326
D886,919 S * 6/2020 Gagnon D21/686
D887,504 S * 6/2020 Mathew D21/685
D898,932 S * 10/2020 Chen D24/212
D910,758 S * 2/2021 Leong D21/326

(Continued)

Primary Examiner — Mehri F Bajoul

(57) **CLAIM**

The ornamental design for an accessory for video games, electronic games consoles, and computer games as shown and described.

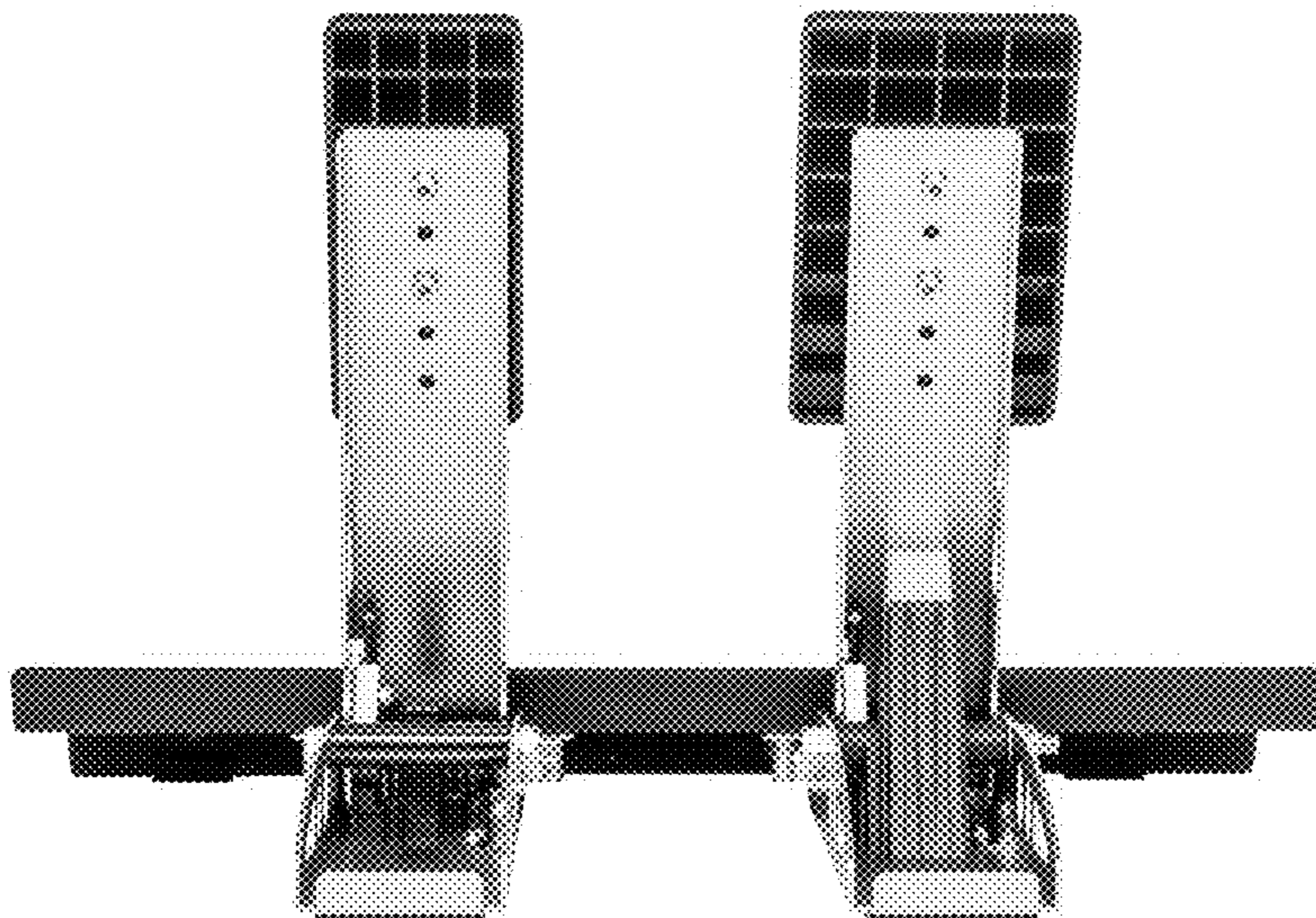
DESCRIPTION

The patent or application file contains at least one drawing executed in color. Copies of this patent or patent application publication with color drawing(s) will be provided by the Office upon request and payment of the necessary fee.

1. Accessory for video games, electronic games consoles, and computer games

- 1.1 : Back
- 1.2 : Right
- 1.3 : Left
- 1.4 : Perspective view (back right)
- 1.5 : Perspective view (front right)
- 1.6 : Perspective view (back left)
- 1.7 : Perspective view (front left)

1 Claim, 7 Drawing Sheets
(5 of 7 Drawing Sheet(s) Filed in Color)



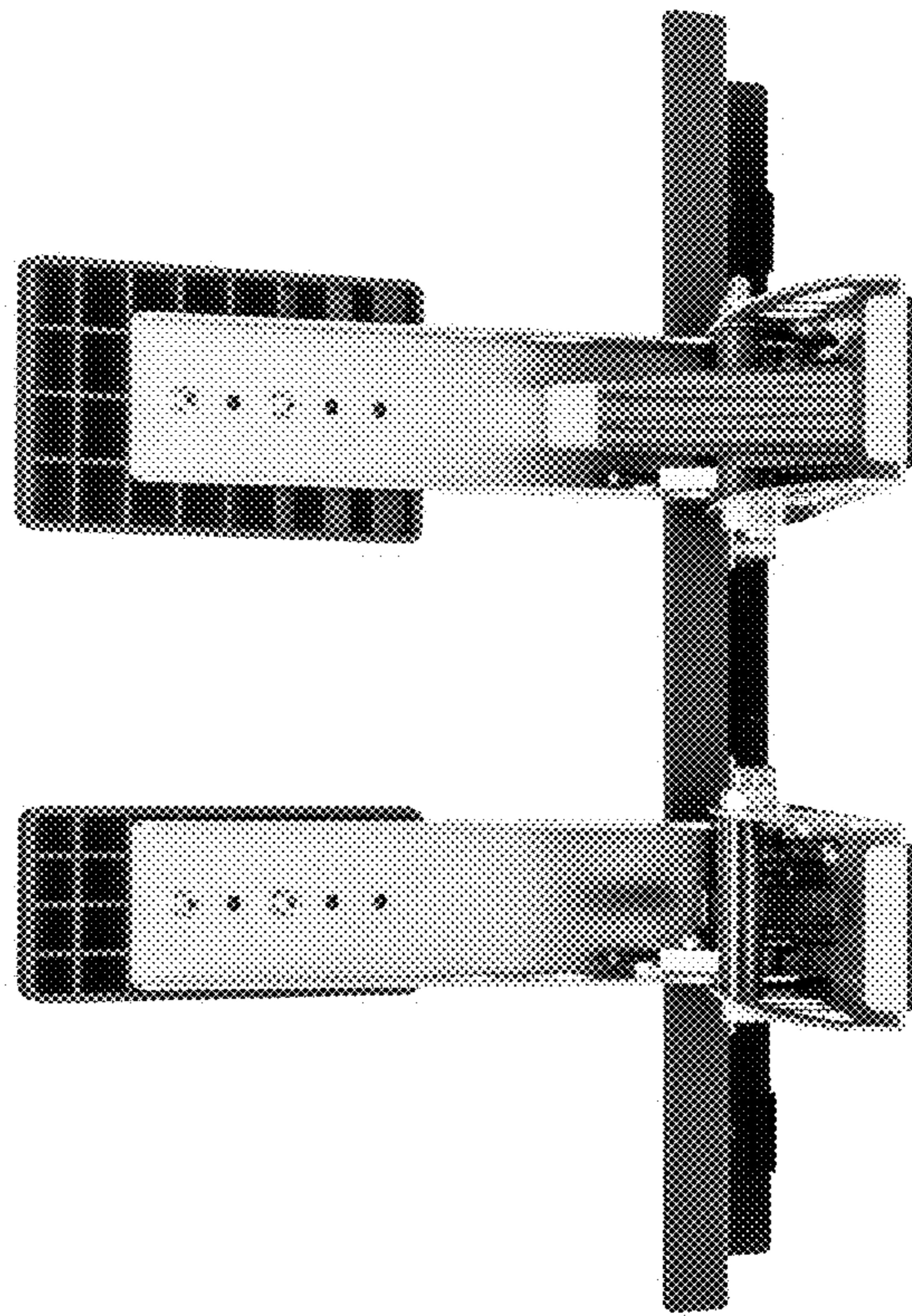
(56)

References Cited

U.S. PATENT DOCUMENTS

D912,733	S *	3/2021	Ghahramanian	D21/333
D930,081	S *	9/2021	Ghahramanian	D21/326
D930,748	S *	9/2021	Ghahramanian	D21/326
D931,373	S *	9/2021	Ghahramanian	D21/326
D932,549	S *	10/2021	Smit	D21/326
D936,744	S *	11/2021	Singanallur Murali	D21/333
D942,560	S *	2/2022	Chen	D21/686
D949,255	S *	4/2022	Hsieh	D21/670
D958,268	S *	7/2022	Zhu	D21/686
2003/0216224	A1 *	11/2003	Chuang	A63B 22/0056 482/53
2007/0270284	A1 *	11/2007	Lin	A63B 23/0429 482/52

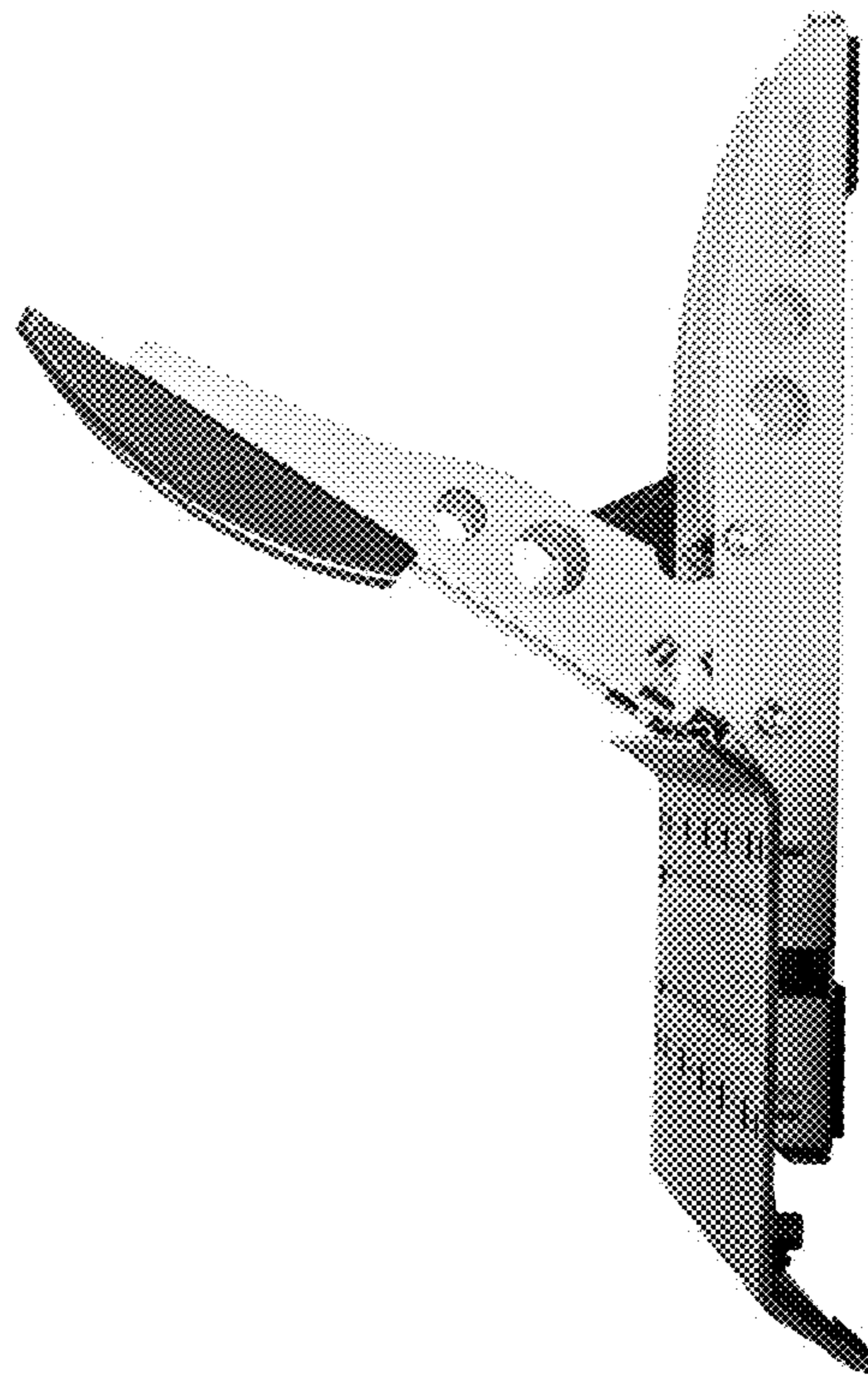
* cited by examiner



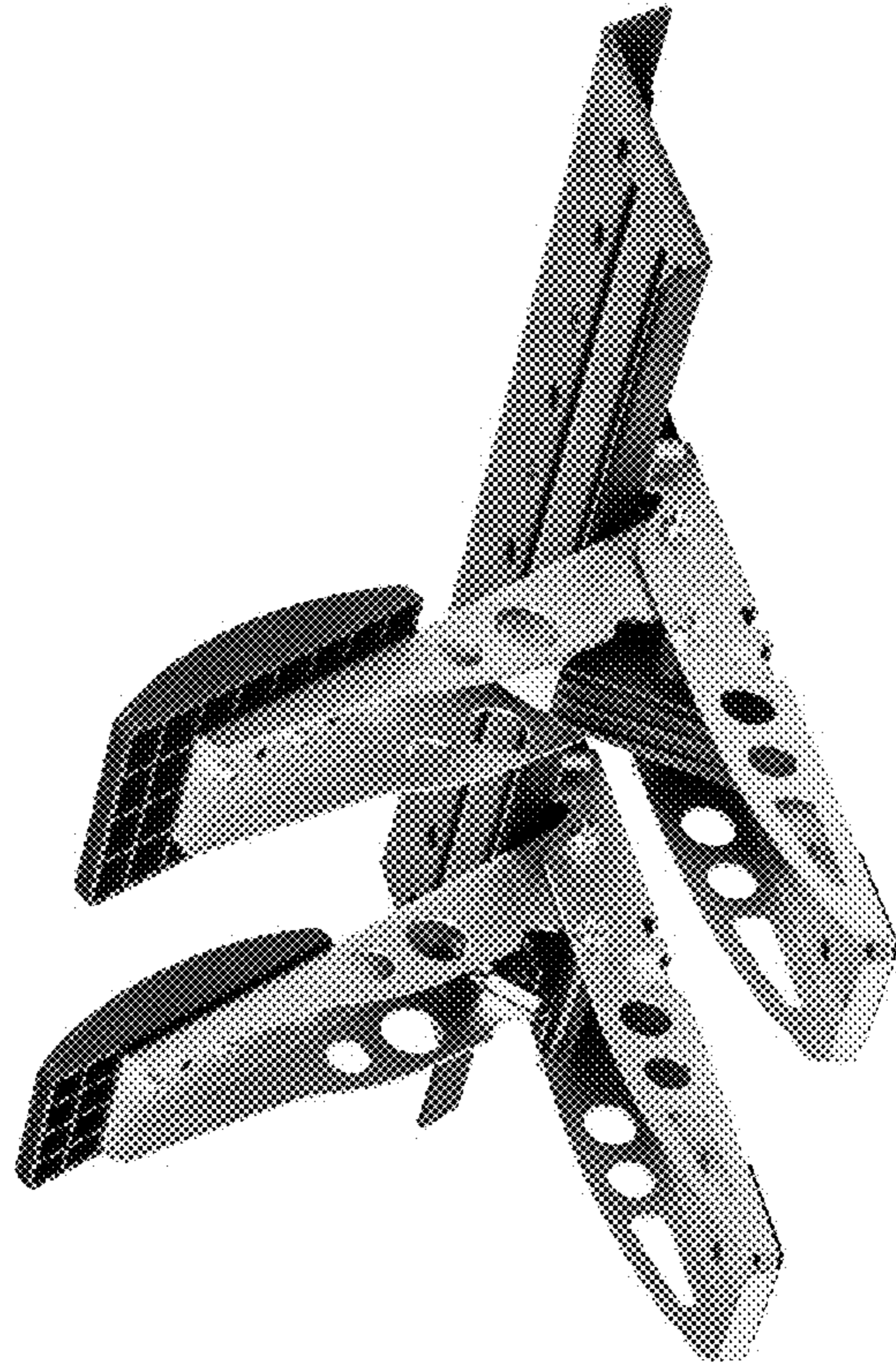
1.1



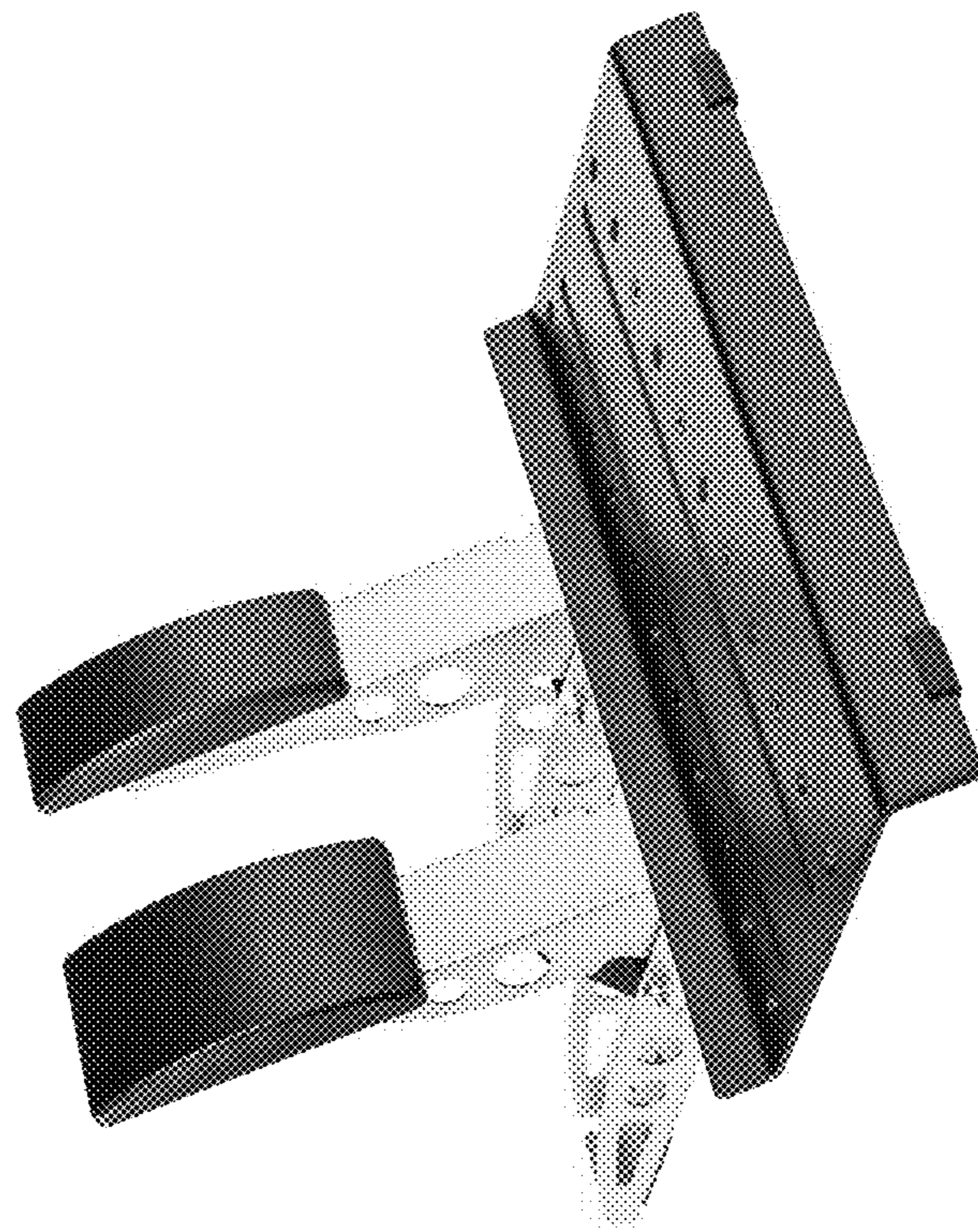
1.2



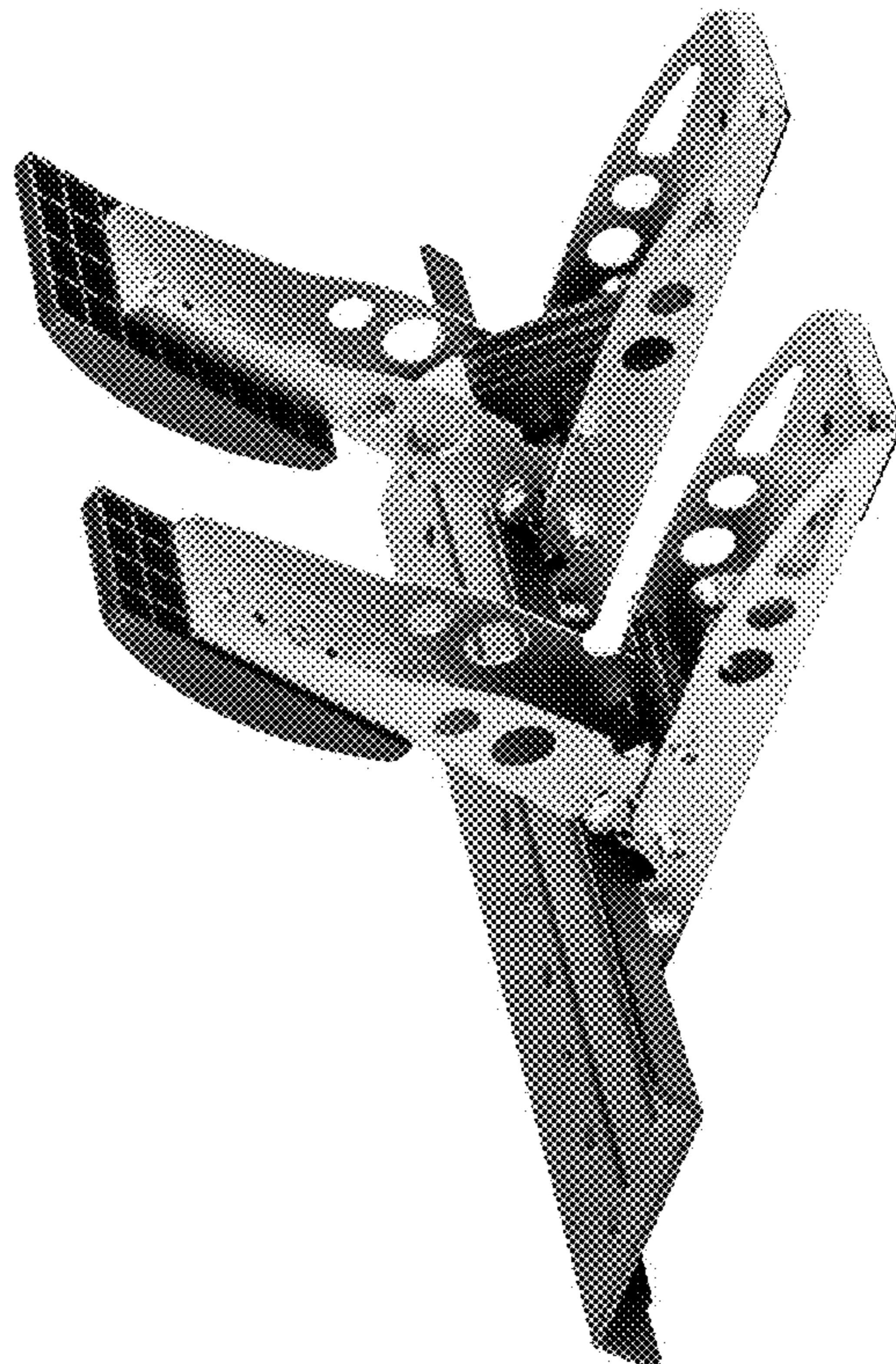
1.3



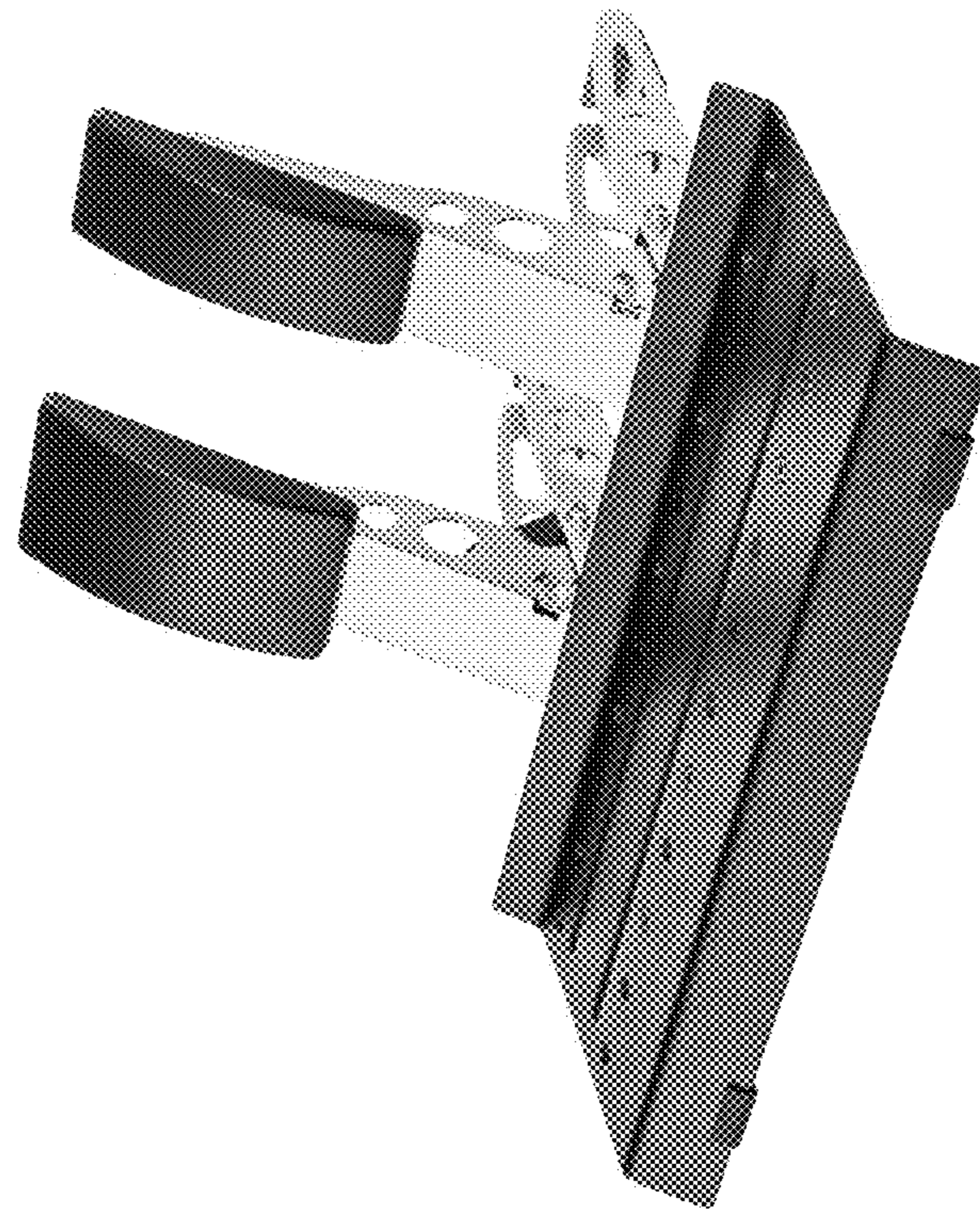
1.4



1.5



1.6



1.7