

US00D967269S

(12) **United States Design Patent**  
**Carprien et al.**

(10) **Patent No.:** **US D967,269 S**  
(45) **Date of Patent:** **\*\* Oct. 18, 2022**

(54) **TARGET FOR TOSSING GAME**  
(71) Applicants: **Seth M. Carprien**, Winston-Salem, NC  
(US); **Timothy S. Lynde**,  
Winston-Salem, NC (US)  
(72) Inventors: **Seth M. Carprien**, Winston-Salem, NC  
(US); **Timothy S. Lynde**,  
Winston-Salem, NC (US)  
(\*\*) Term: **15 Years**

5,524,897 A \* 6/1996 Mastronunzio ..... A63F 3/00176  
273/236  
5,575,480 A 11/1996 Wehr  
D382,599 S \* 8/1997 Starrett ..... D21/306  
6,173,957 B1 1/2001 James, Sr.  
D442,516 S \* 5/2001 Charlebois ..... D11/117  
D444,508 S \* 7/2001 George ..... D21/363  
D454,164 S \* 3/2002 Allen ..... D21/363  
D458,184 S \* 6/2002 Saari ..... D11/125  
6,939,241 B1 \* 9/2005 Chang ..... A63B 63/00  
273/400  
D524,872 S \* 7/2006 DiCarlo ..... D21/343  
D526,461 S \* 8/2006 Haro ..... D1/106

(21) Appl. No.: **29/782,486**

(22) Filed: **May 6, 2021**

(51) **LOC (13) Cl.** ..... **21-01**

(52) **U.S. Cl.**  
USPC ..... **D21/302**

(58) **Field of Classification Search**  
USPC ..... D21/300, 301, 302, 303, 304, 305, 306,  
D21/313, 318, 319, 363, 386; D11/121,  
D11/125, 117; D26/25; 428/7-9, 32;  
362/252, 806  
CPC ..... A63B 63/00; A63B 71/022; A63B 65/00;  
A63B 1/00; A63B 67/00; A63B 67/06;  
A63B 2067/063; A63B 2067/065; A63F  
1/067; A47B 25/00

See application file for complete search history.

(56) **References Cited**

**U.S. PATENT DOCUMENTS**

2,239,449 A \* 4/1941 Senz ..... A63F 3/00176  
273/261  
2,858,624 A \* 11/1958 Bowman ..... G01J 3/52  
434/98  
D291,881 S \* 9/1987 Koushiefes ..... D11/90  
4,936,590 A 6/1990 Palmer  
4,989,880 A 2/1991 Gettemeier et al.  
D320,237 S \* 9/1991 Turner ..... D21/363  
D332,805 S \* 1/1993 Gard ..... D21/346  
5,236,193 A \* 8/1993 Ierulli ..... A63F 3/00176  
273/250  
D355,448 S \* 2/1995 Walter ..... D21/350

**FOREIGN PATENT DOCUMENTS**

GB 134491 A \* 11/1919 ..... A47G 33/08

*Primary Examiner* — Mehri F Bajoul

(74) *Attorney, Agent, or Firm* — Gregory Finch; Finch  
Paolino, LLC

(57) **CLAIM**

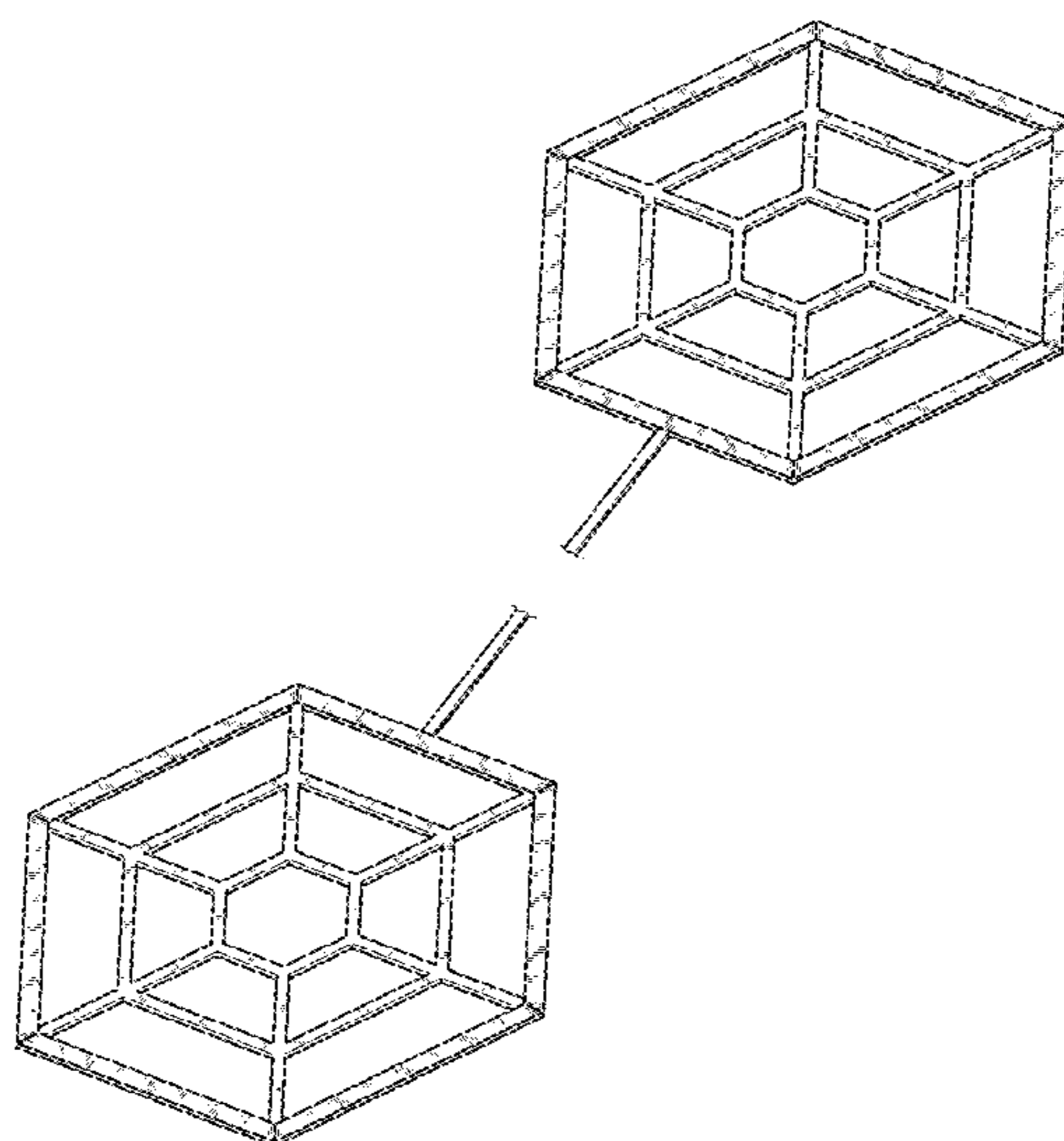
The ornamental design for a target for tossing game, as  
shown and described.

**DESCRIPTION**

FIG. 1 is an isometric view of the claimed target for tossing  
game, embodying the present design;  
FIG. 2 is a front side view thereof;  
FIG. 3 is a rear side view thereof;  
FIG. 4 is a right side view thereof;  
FIG. 5 is a left side view thereof;  
FIG. 6 is a top down plan view thereof; and,  
FIG. 7 is a bottom up plan view thereof.

The target for tossing game is shown with a symbolic break  
in the tether's length. The appearance of any portion of the  
article between the break lines forms no part of the claimed  
design.

**1 Claim, 7 Drawing Sheets**



(56)

References Cited

U.S. PATENT DOCUMENTS

D587,187	S	*	2/2009	Moran	.....	D12/400
D602,098	S	*	10/2009	Seinkbeil	.....	D21/335
D615,130	S	*	5/2010	Smith	.....	D21/303
D627,506	S	*	11/2010	Lin	.....	D26/125
D640,328	S	*	6/2011	Tan	.....	D21/300
D687,106	S	*	7/2013	Menting	.....	D21/398
D702,508	S	*	4/2014	Riedel	.....	D7/628
D711,139	S	*	8/2014	Christakos	.....	D6/368
D711,149	S	*	8/2014	Christakos	.....	D6/368
D747,627	S	*	1/2016	Wilson	.....	D7/563
D773,564	S	*	12/2016	Kiribuchi	.....	D21/363
10,065,095	B2		9/2018	Gallagher		
D875,833	S	*	2/2020	Fairchild	.....	D21/302
D889,551	S	*	7/2020	Tompkins	.....	D21/363
D900,933	S	*	11/2020	Tanoury	.....	D21/305
D905,807	S	*	12/2020	Ferrante	.....	D21/705
D909,279	S	*	2/2021	Beck	.....	D12/400
D922,511	S	*	6/2021	Arnold	.....	D21/791
D923,096	S	*	6/2021	Nash	.....	D21/302
D925,782	S	*	7/2021	Yong	.....	D26/25
D933,132	S	*	10/2021	Engler	.....	D21/305
2002/0079645	A1		6/2002	Brown		
2018/0178100	A1		6/2018	Bunnell-Harvey		

\* cited by examiner

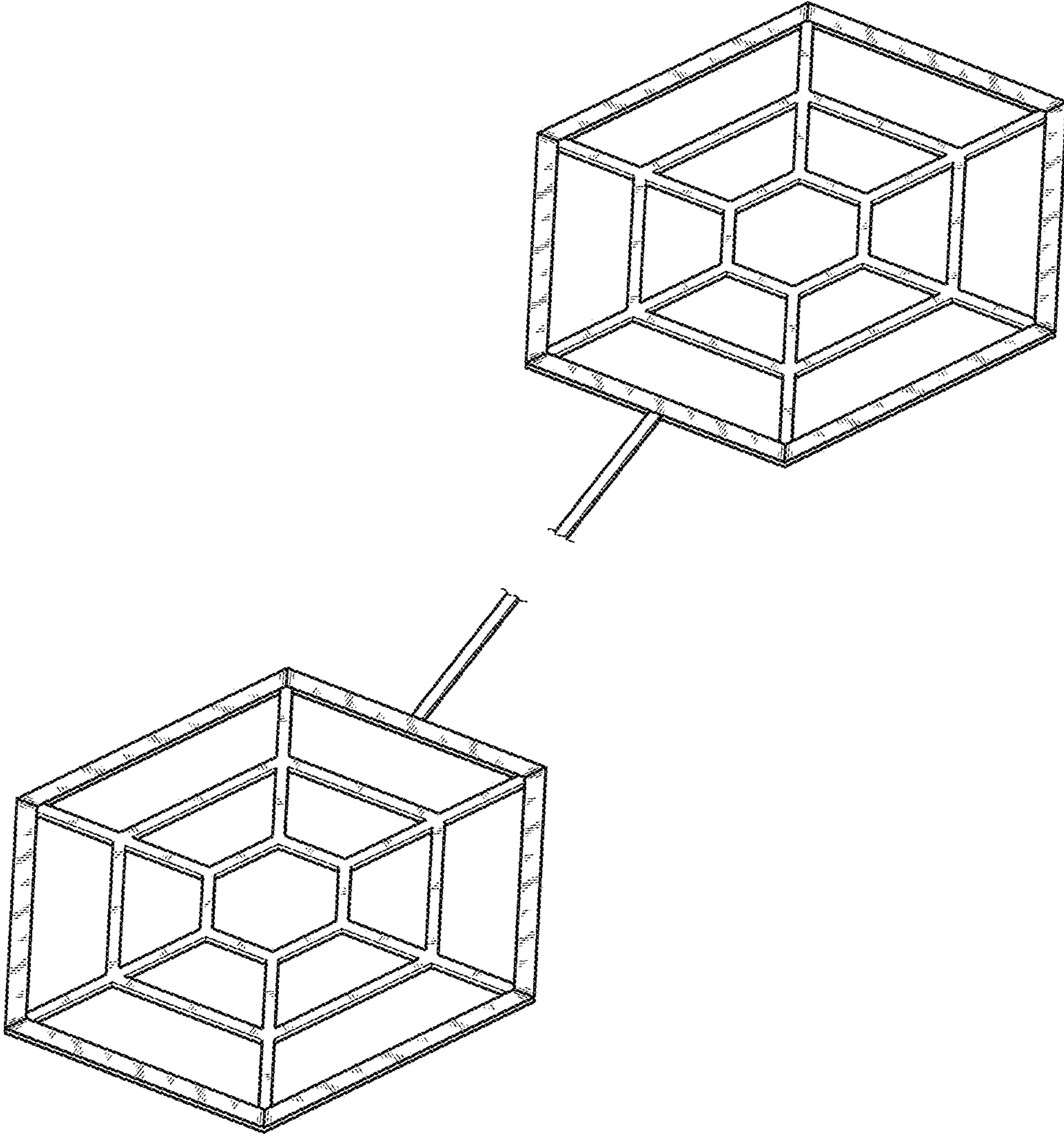


Fig. 1

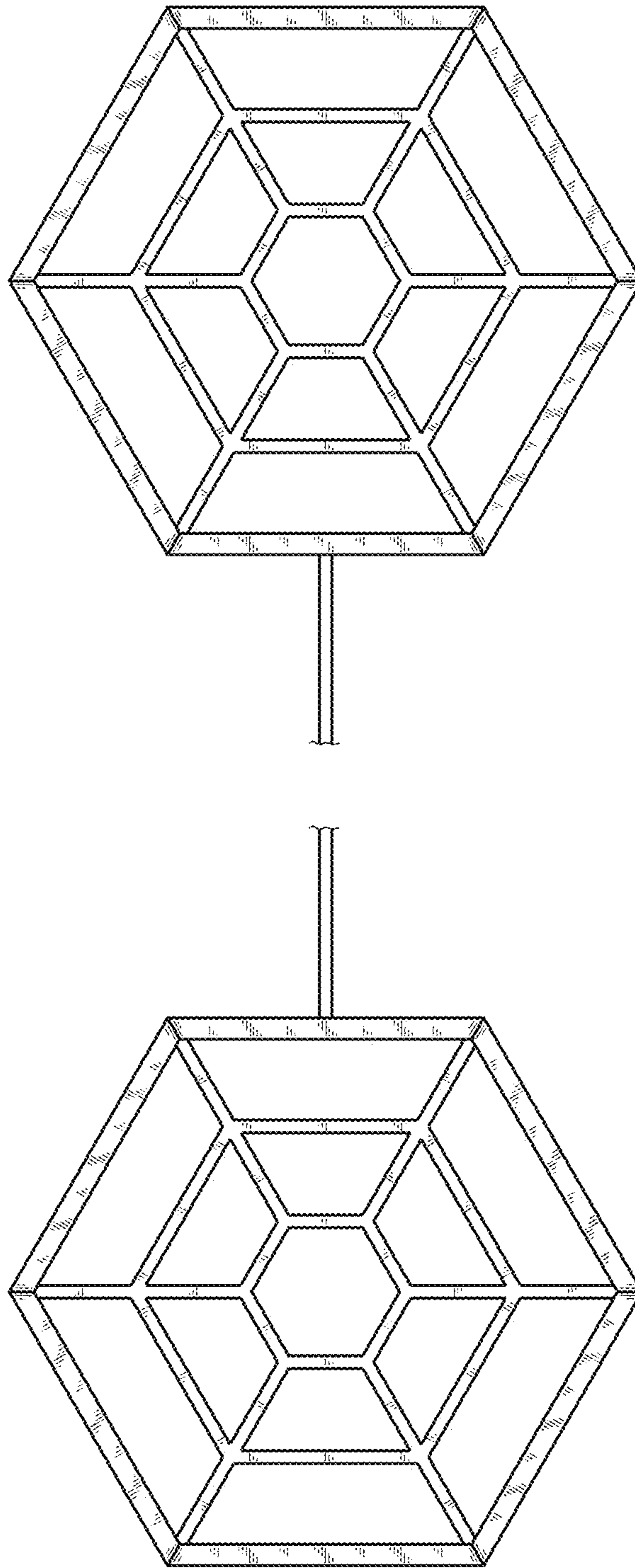


Fig. 2

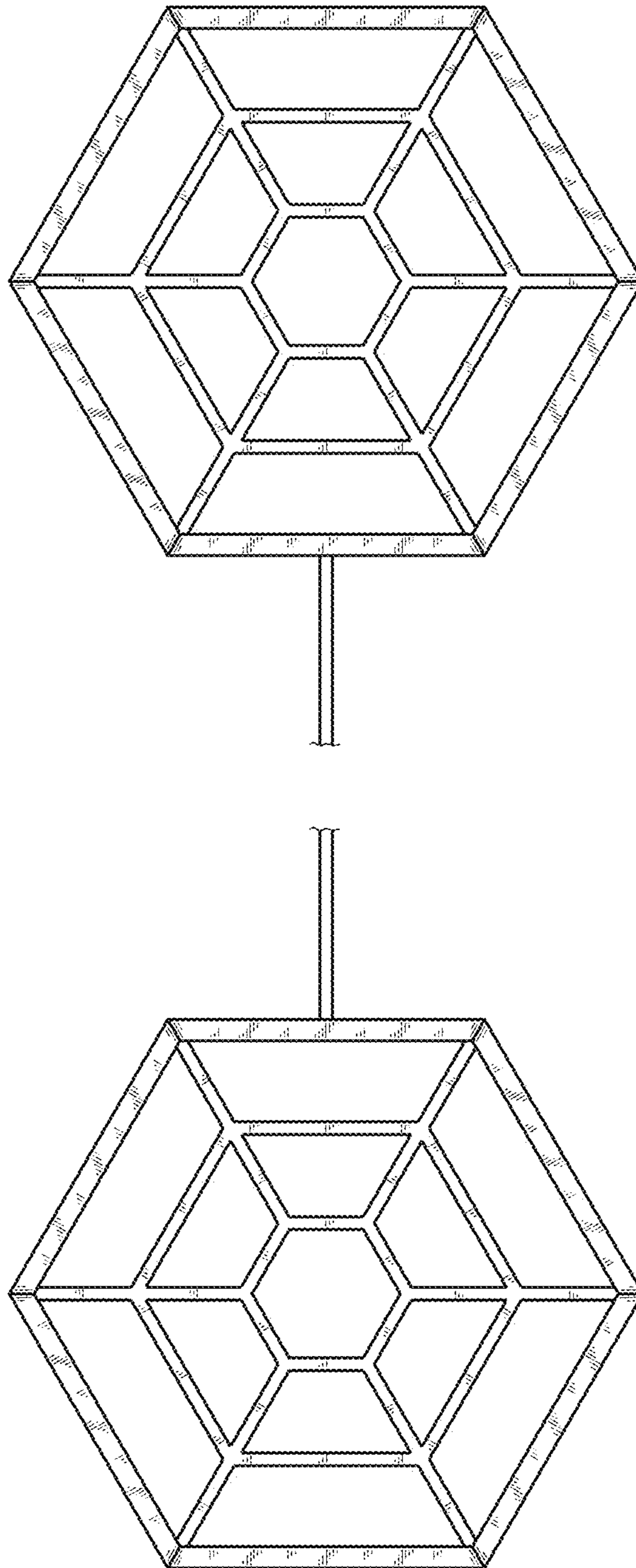


Fig. 3

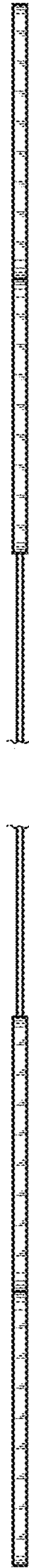


Fig. 4



Fig. 5

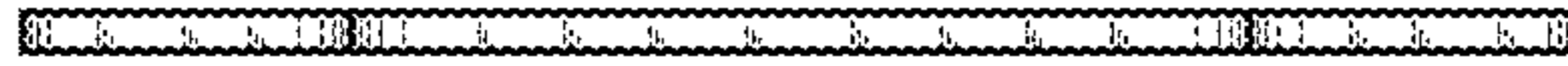


Fig. 6



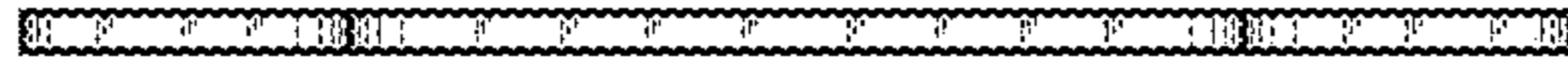


Fig. 7