

US00D967267S

(12) **United States Design Patent**  
**Toltzman et al.**

(10) **Patent No.:** **US D967,267 S**  
(45) **Date of Patent:** **\*\* Oct. 18, 2022**

(54) **SIGN**  
(71) Applicant: **JUGGERNAUT DEFENSE, LLC**,  
Scottsdale, AZ (US)  
(72) Inventors: **Randall Toltzman**, Scottsdale, AZ  
(US); **Chris Buttenob**, Scottsdale, AZ  
(US); **William Bingman**, Scottsdale,  
AZ (US); **Justin Salamon**, Scottsdale,  
AZ (US); **Scott Jarson**, Scottsdale, AZ  
(US); **Debbie Jarson**, Scottsdale, AZ  
(US); **Scott Smith**, Scottsdale, AZ (US)

4,727,822 A \* 3/1988 Wikkerink ..... G09F 17/00  
116/174  
5,103,582 A \* 4/1992 Farmer ..... G09F 15/00  
40/607.03  
5,220,740 A \* 6/1993 Brault ..... E01F 9/692  
40/606.02  
5,363,792 A \* 11/1994 Petechik ..... B60Q 1/50  
116/28 R

(Continued)

**FOREIGN PATENT DOCUMENTS**

DE 202018104488 U1 9/2018  
DE 202018102488 U1 3/2019

(73) Assignee: **Becon Post LLC**, Scottsdale, AZ (US)

(\*\*) Term: **15 Years**

(21) Appl. No.: **29/734,313**

(22) Filed: **May 11, 2020**

(51) **LOC (13) Cl.** ..... **20-02**

(52) **U.S. Cl.**  
USPC ..... **D20/41**

(58) **Field of Classification Search**  
USPC ..... D10/109.1, 109.2, 113.4; D11/181, 182,  
D11/183; D14/125, 126, 127, 128, 129,  
D14/489, 495; D18/26; D20/10, 11, 12,  
D20/16, 17, 18, 19, 21, 31, 27, 29, 30,  
D20/39, 40, 41, 42, 43, 44, 99  
CPC ..... G09F 1/00; G09F 1/08; G09F 5/00; G09F  
5/02; G09F 7/00; G09F 19/00; G09F  
23/00; G09F 27/00; G09F 21/00; G09F  
21/06; G09F 21/08; Y10S 362/812; A47F  
3/00; A47F 8/00; A47F 11/00

See application file for complete search history.

(56) **References Cited**

**U.S. PATENT DOCUMENTS**

D89,867 S \* 5/1933 Bishop ..... D20/41  
3,958,351 A \* 5/1976 Summey ..... G09F 7/18  
40/607.12  
4,334,374 A 6/1982 Spamer et al.

**OTHER PUBLICATIONS**

International Search Report and Written Opinion issued in corre-  
sponding Application No. PCT/US2021/025164 dated Jul. 8, 2021,  
10 pages.

*Primary Examiner* — Mary Ann Calabrese

*Assistant Examiner* — Catherine Ho

(74) *Attorney, Agent, or Firm* — Polsinelli PC

(57) **CLAIM**

The ornamental design for a sign, as shown and described.

**DESCRIPTION**

FIG. 1 is a perspective view of a sign showing our new  
design;

FIG. 2 is a front view thereof;

FIG. 3 is a rear view thereof;

FIG. 4 is a left side view thereof;

FIG. 5 is a right side view thereof;

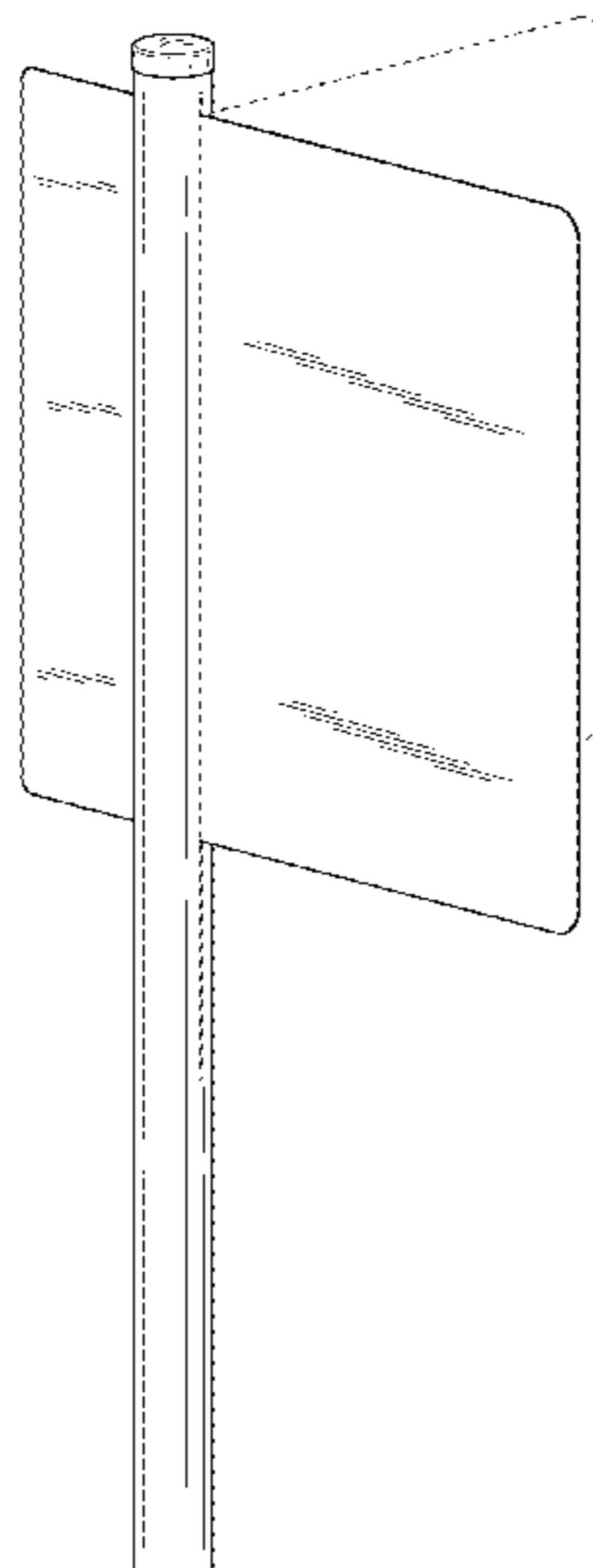
FIG. 6 is a top view thereof;

FIG. 7 is a bottom view thereof; and,

FIG. 8 is an exploded view.

The broken lines showing in the figures are included for the  
purpose of illustrating portions of the sign that form no part  
of the claimed design.

**1 Claim, 7 Drawing Sheets**



(56)

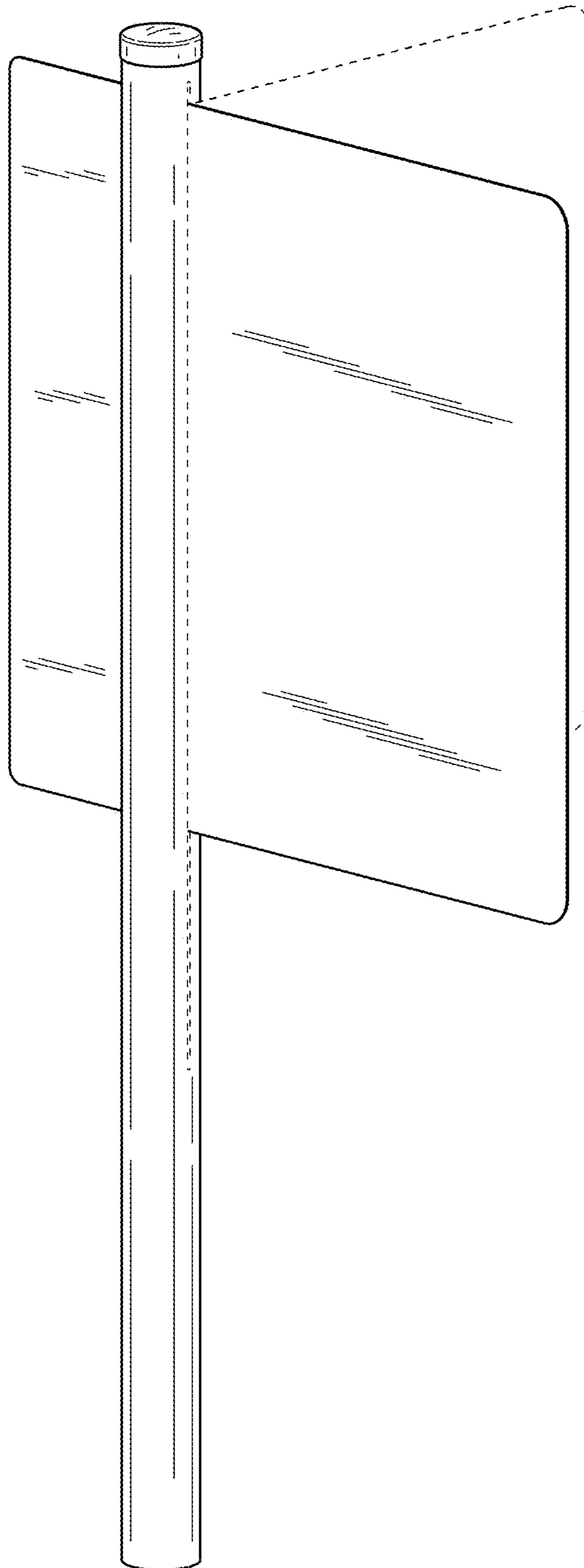
References Cited

U.S. PATENT DOCUMENTS

5,463,974 A \* 11/1995 Seeder ..... G09F 7/18  
 116/173  
 6,293,035 B1 \* 9/2001 LaPointe ..... G09F 7/18  
 248/218.4  
 D453,194 S \* 1/2002 Gentelia ..... D20/41  
 6,402,117 B1 \* 6/2002 Tsai ..... E04H 12/2261  
 248/530  
 7,066,105 B2 \* 6/2006 Tal ..... B60Q 1/50  
 116/173  
 D530,756 S \* 10/2006 Greenwald ..... D21/405  
 D550,289 S \* 9/2007 Prokop ..... D20/41  
 D587,317 S \* 2/2009 King ..... D20/41  
 D722,033 S \* 2/2015 Kim ..... D14/126  
 D737,234 S \* 8/2015 Kim ..... D14/126  
 D747,036 S \* 1/2016 Wiltturner ..... D27/139  
 9,464,397 B1 10/2016 Abraham  
 9,747,761 B2 \* 8/2017 Doria ..... G08B 5/00  
 D799,367 S \* 10/2017 Wildhagen ..... D11/166  
 9,947,249 B1 \* 4/2018 Baldwin ..... G09F 15/0012  
 D843,885 S \* 3/2019 Jackson ..... D11/166  
 D870,724 S \* 12/2019 Yuksek ..... D14/349  
 D873,268 S \* 1/2020 Yuksek ..... D14/349  
 D879,096 S \* 3/2020 Yuksek ..... D14/349  
 2002/0134297 A1 \* 9/2002 Moye ..... G09F 17/00  
 116/173  
 2006/0080876 A1 4/2006 Carter  
 2006/0107574 A1 \* 5/2006 Zheng ..... G09F 17/00  
 40/610  
 2008/0307684 A1 12/2008 Ulloa et al.  
 2011/0036026 A1 2/2011 Lee

\* cited by examiner

FIG. 1



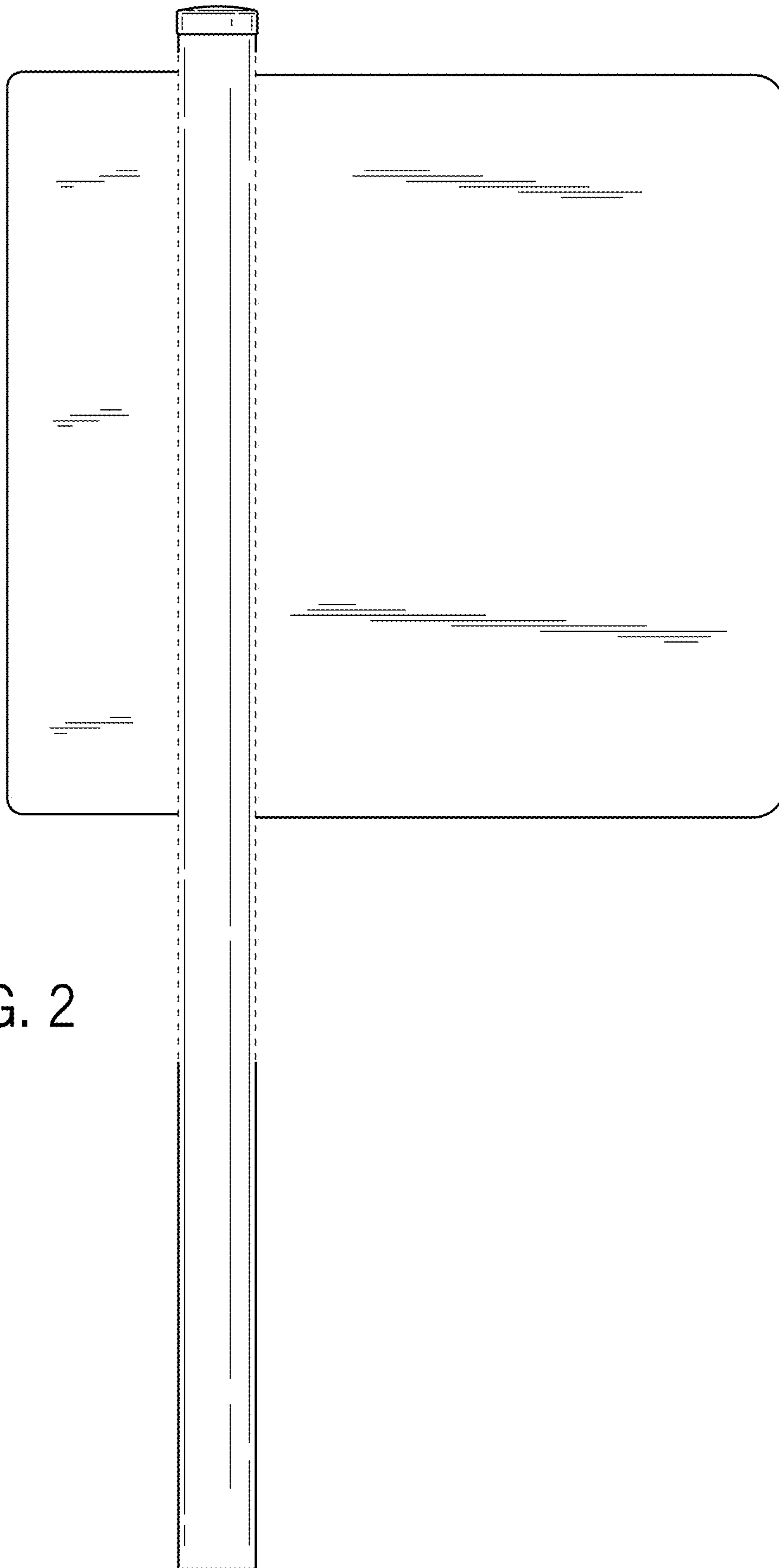


FIG. 2

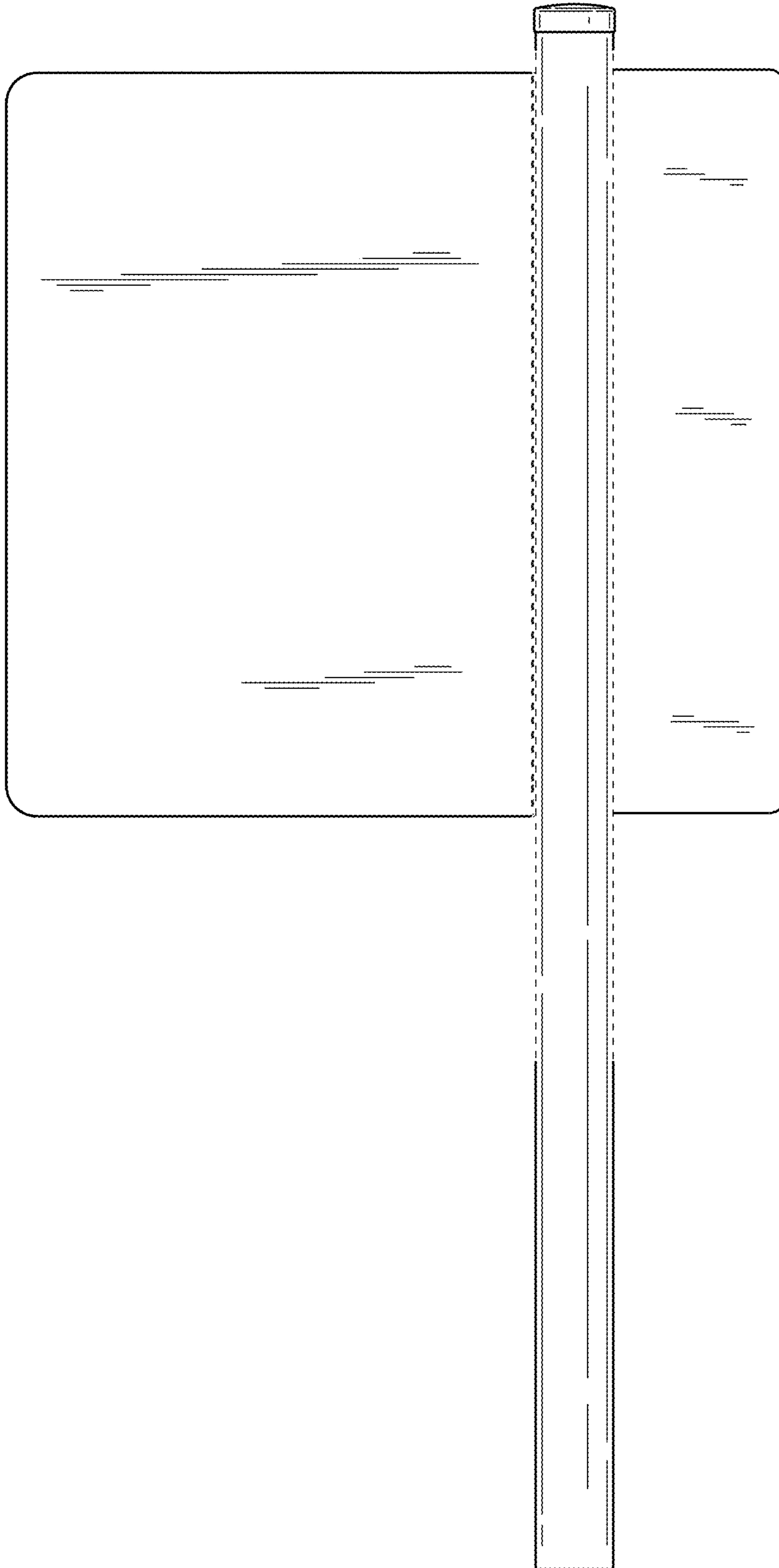


FIG. 3

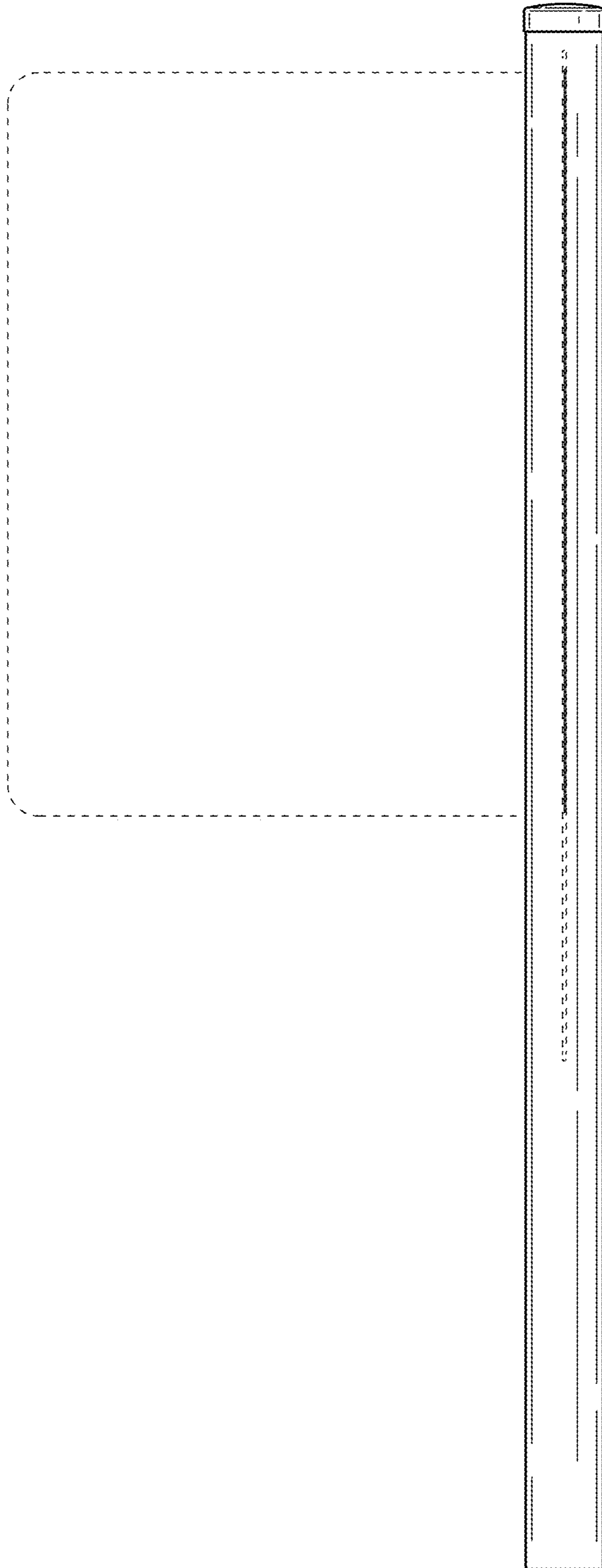


FIG. 4

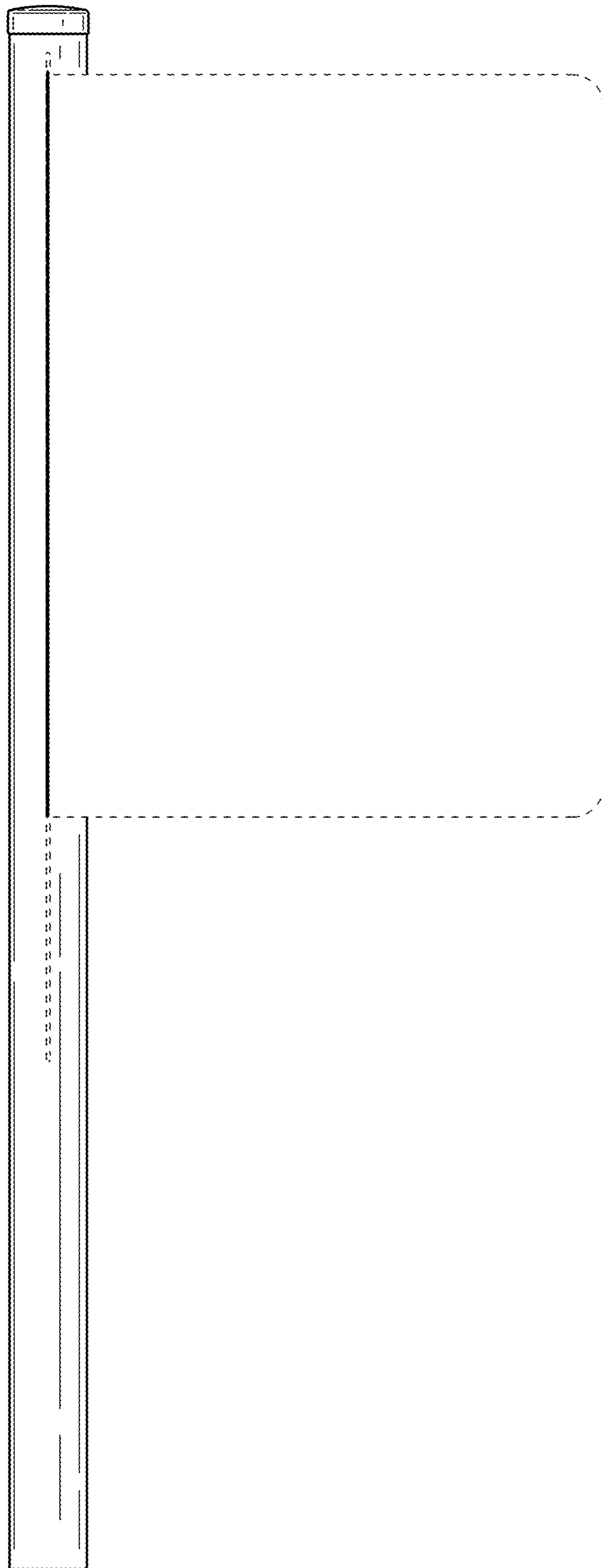


FIG. 5

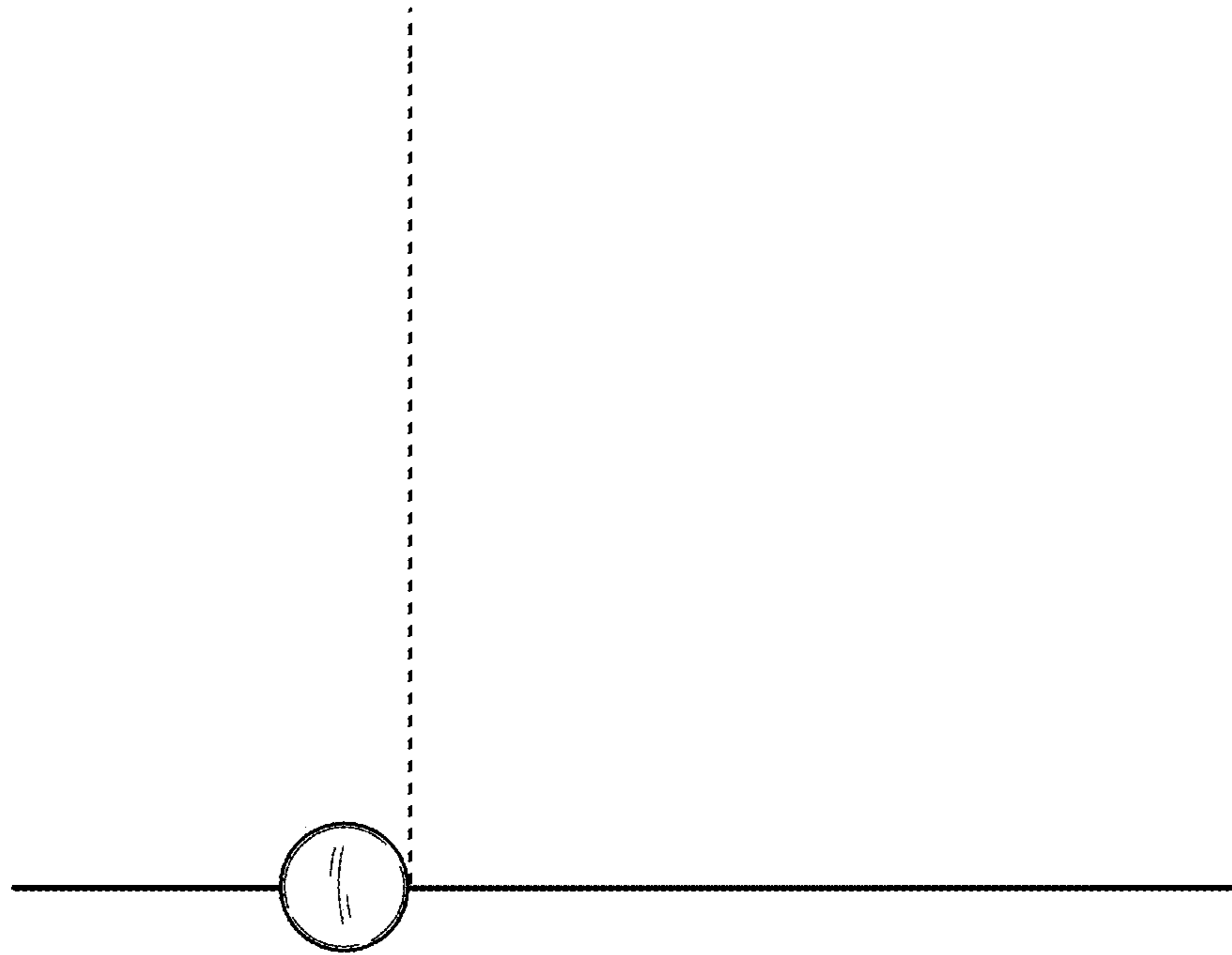


FIG. 6

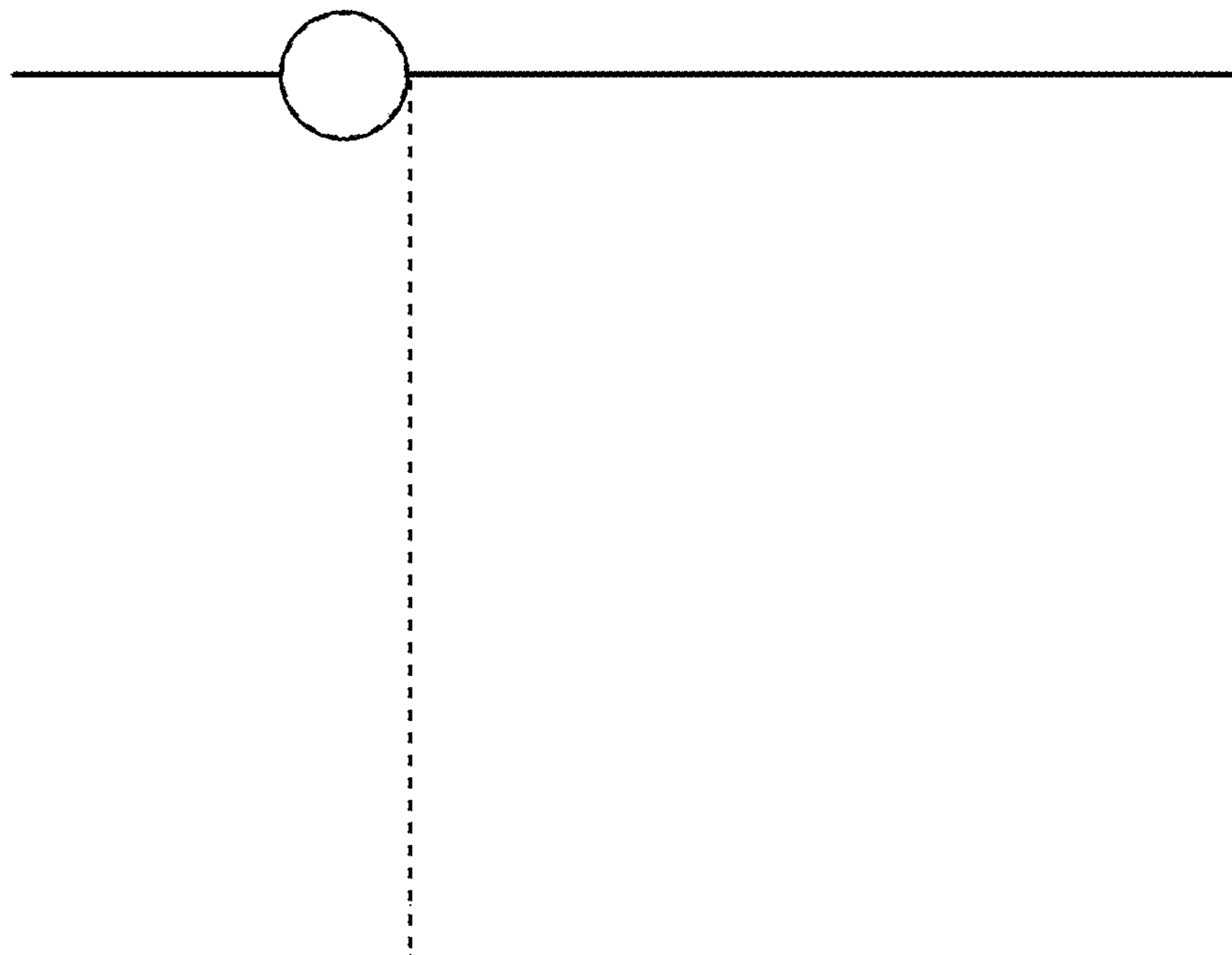


FIG. 7



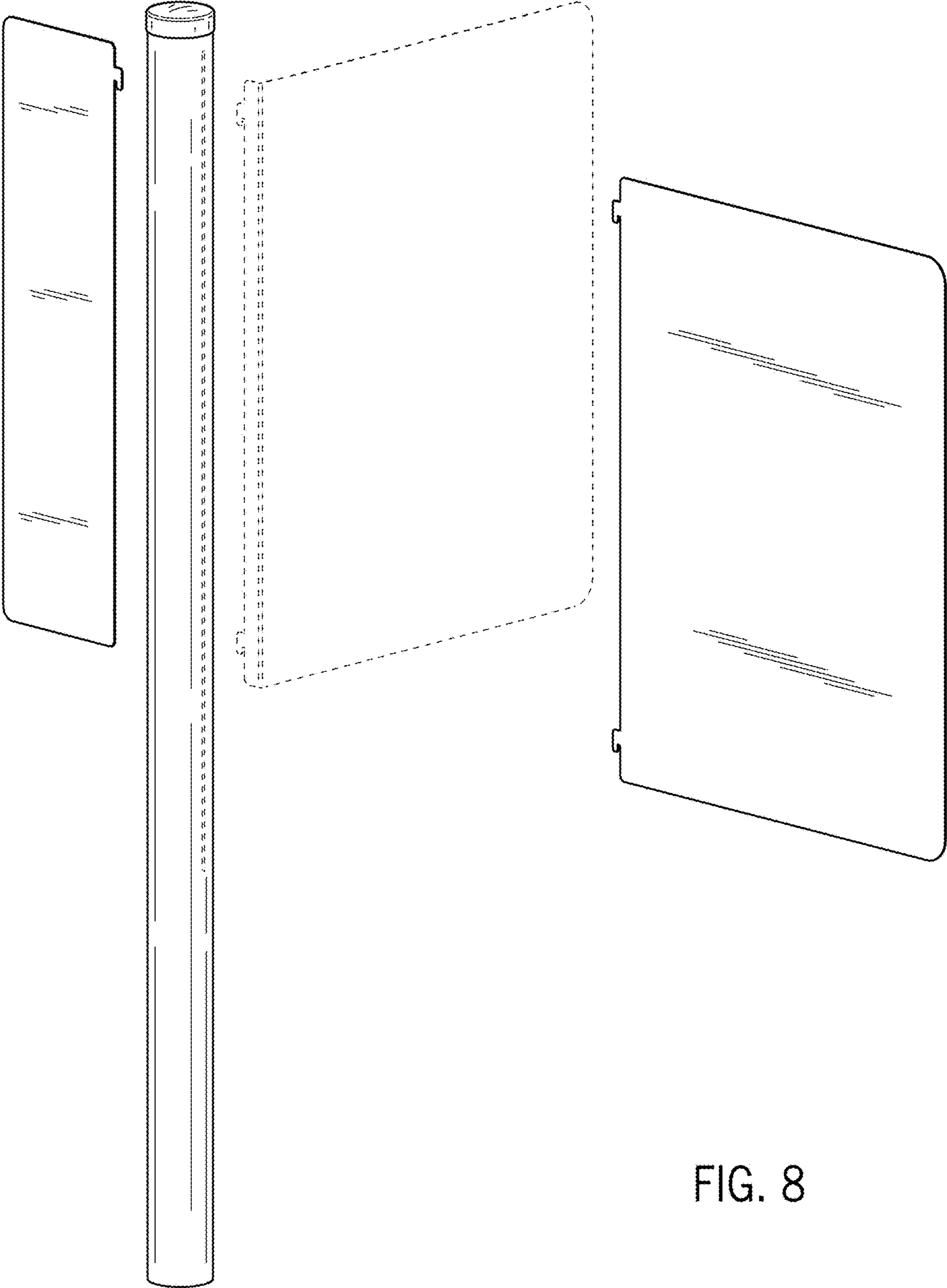


FIG. 8