

US00D967252S

(12) **United States Design Patent** (10) **Patent No.:** **US D967,252 S**  
**Chen** (45) **Date of Patent:** **\*\* Oct. 18, 2022**

(54) **PRINTER**

(71) Applicant: **Xiamen Goofoo Technology Co., Ltd., Fujian (CN)**

(72) Inventor: **Jun Chen, Fujian (CN)**

(73) Assignee: **XIAMEN GOOFOO TECHNOLOGY CO., LTD., Xiamen (CN)**

(\*\*) Term: **15 Years**

(21) Appl. No.: **29/761,403**

(22) Filed: **Dec. 9, 2020**

(30) **Foreign Application Priority Data**

Nov. 25, 2020 (EM) ..... 008281141

(51) **LOC (13) Cl.** ..... **18-02**

(52) **U.S. Cl.**  
USPC ..... **D18/53**

(58) **Field of Classification Search**  
USPC ..... D6/700, 866.21, 406.5, 405.6, 694, 685,  
D6/641, 553; D19/66, 67, 68, 69;  
D11/164; D8/367, 382; D18/50, 53, 54,  
D18/55, 56, 57, 58, 59, 34.7, 34.3, 34.1,  
D18/4.1

CPC ..... G06F 3/02; H04N 1/00278; B32B 27/08;  
G11B 23/40

See application file for complete search history.

(56) **References Cited**

**U.S. PATENT DOCUMENTS**

D244,602 S \* 6/1977 Mango ..... D16/232  
D281,506 S \* 11/1985 DeLongis ..... D16/232  
D305,904 S \* 2/1990 Matsumoto ..... D16/232  
D330,040 S \* 10/1992 Watanabe ..... D16/232  
D349,715 S \* 8/1994 Darland ..... D16/232  
D365,836 S \* 1/1996 Hasegawa ..... D16/232  
D367,073 S \* 2/1996 Kuo ..... D16/232  
D381,351 S \* 7/1997 Sukenari ..... D16/232  
D396,871 S \* 8/1998 McNulty ..... D16/232

D397,709 S \* 9/1998 Park ..... D16/232  
D435,578 S \* 12/2000 Adachi ..... D16/232  
D473,254 S \* 4/2003 Cozzolino ..... D16/232  
D482,382 S \* 11/2003 Kurokawa ..... D16/232  
D741,948 S \* 10/2015 Backs ..... D18/50

**FOREIGN PATENT DOCUMENTS**

CA 67319 \* 10/1990  
CN 303208186 \* 5/2015

**OTHER PUBLICATIONS**

Epson DC-07 Portable Document Camera, Amazon.com, Date Published Jul. 10, 2016, Retrieved from internet 3-7-2022-29461403-https://www.amazon.com/Epson-DC-07-Portable-Connectivity-Resolution/dp/B01ESDYXHU/ref=sr\_1\_36?keywords=Elmo%2BProjector&qid=1646671688&sr=8-36&th=1 (Year: 2016).\*

\* cited by examiner

*Primary Examiner* — Jennifer L Rempfer  
*Assistant Examiner* — Danielle Nichole Bowly

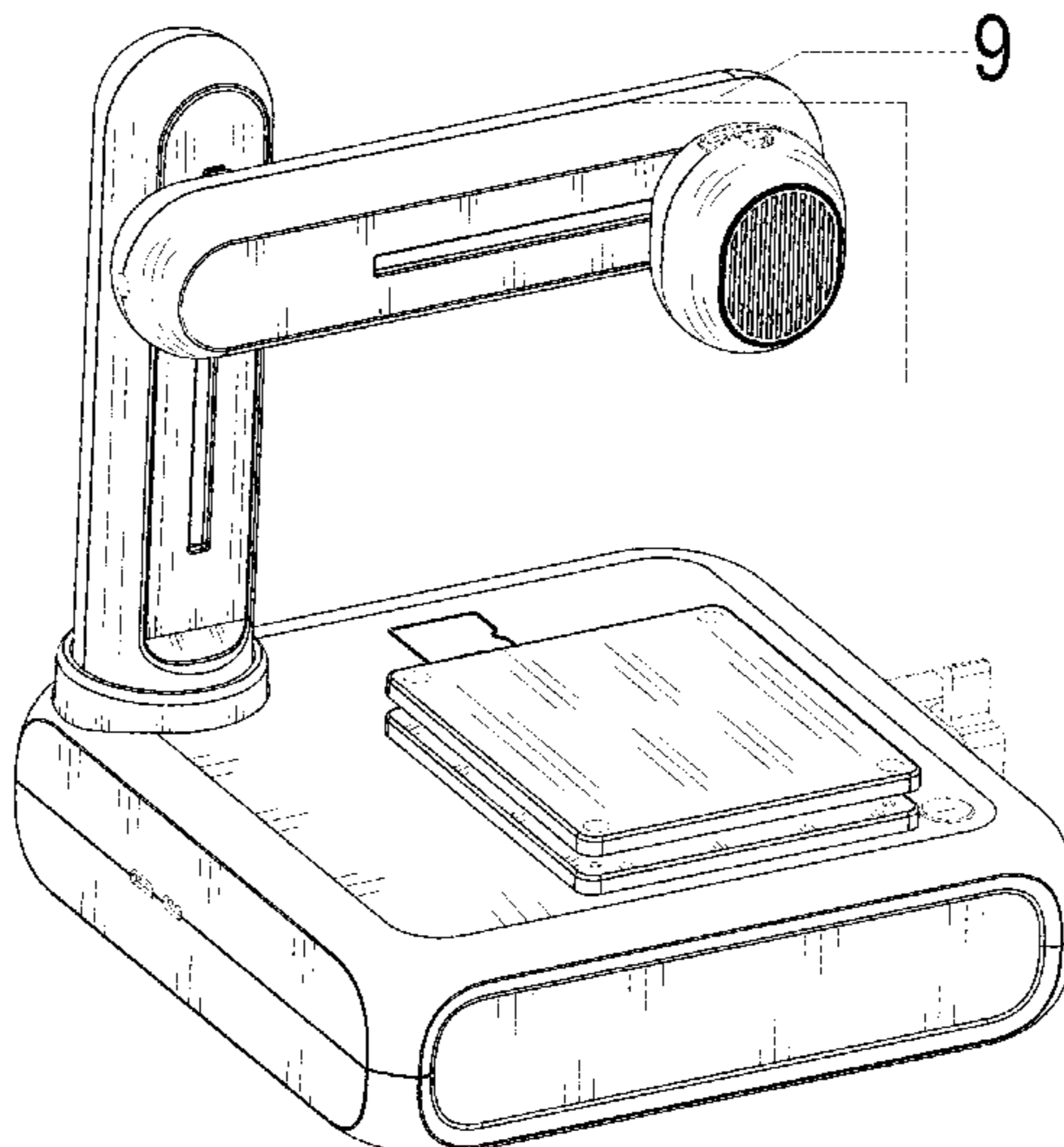
(57) **CLAIM**

The ornamental design for a printer, as shown and described.

**DESCRIPTION**

FIG. 1 is a top, front and left side perspective view of a printer showing my new design;  
FIG. 2 is a bottom, rear and right side perspective view thereof;  
FIG. 3 is a front elevational view thereof;  
FIG. 4 is a rear elevational view thereof;  
FIG. 5 is a left side view thereof;  
FIG. 6 is a right side view thereof;  
FIG. 7 is a top plan view thereof;  
FIG. 8 is a bottom plan view thereof;  
FIG. 9 is an enlarged view of portion 9 in FIG. 1; and,  
FIG. 10 is an enlarged view of portion 10 in FIG. 2.  
The broken lines in the drawings illustrate portions of the printer which form no part of the claimed design.

**1 Claim, 10 Drawing Sheets**



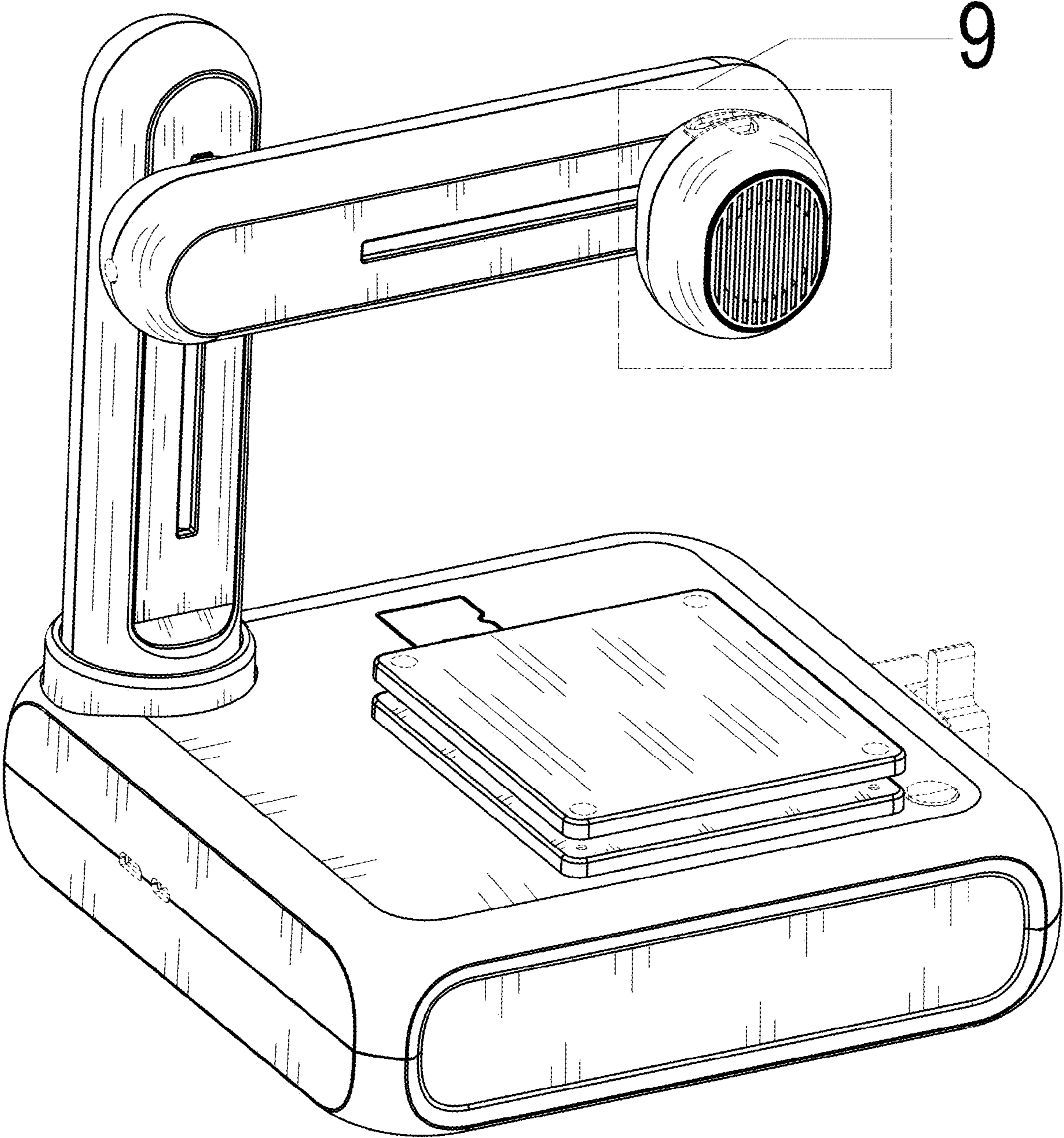


FIG.1

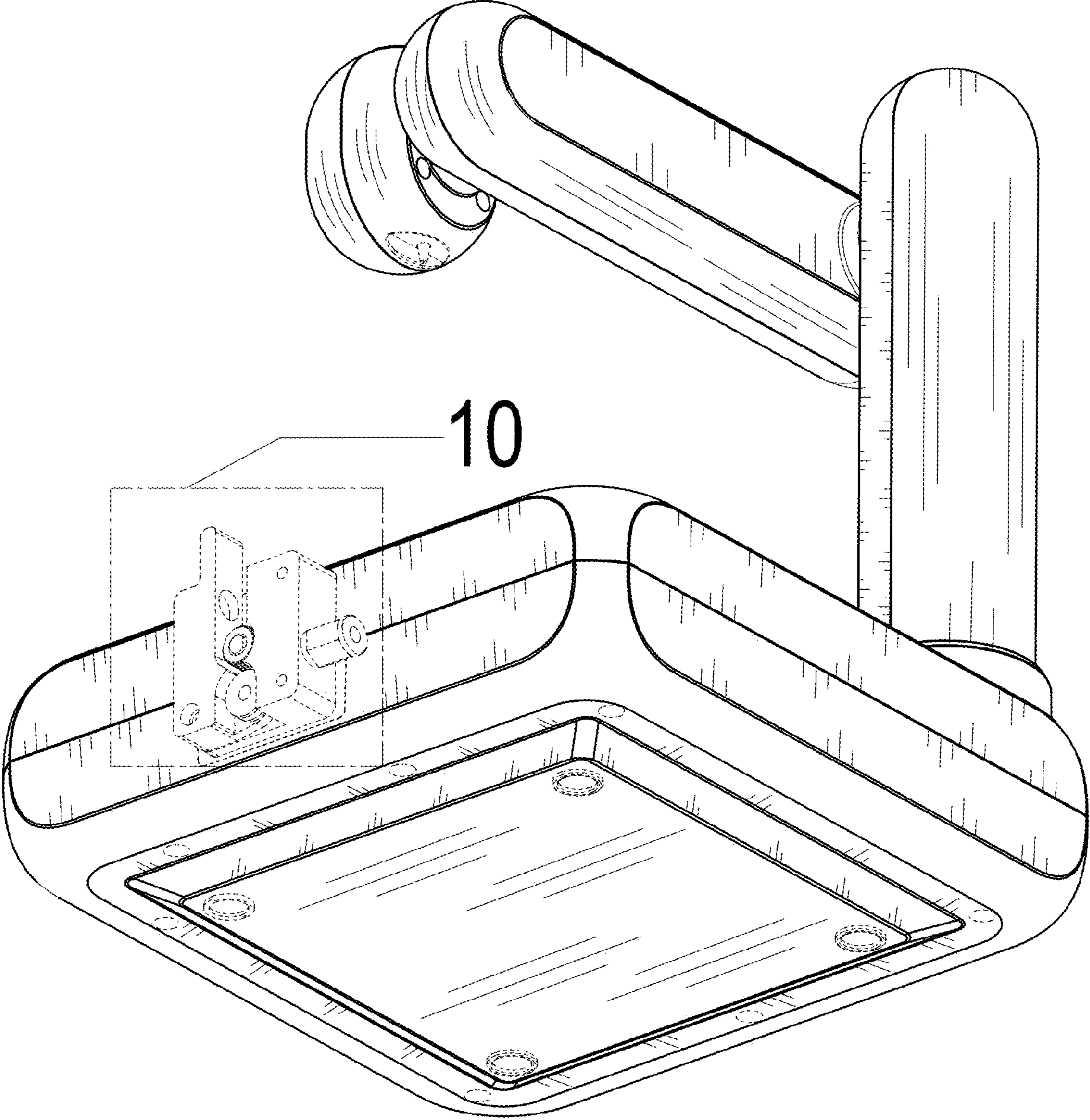


FIG.2

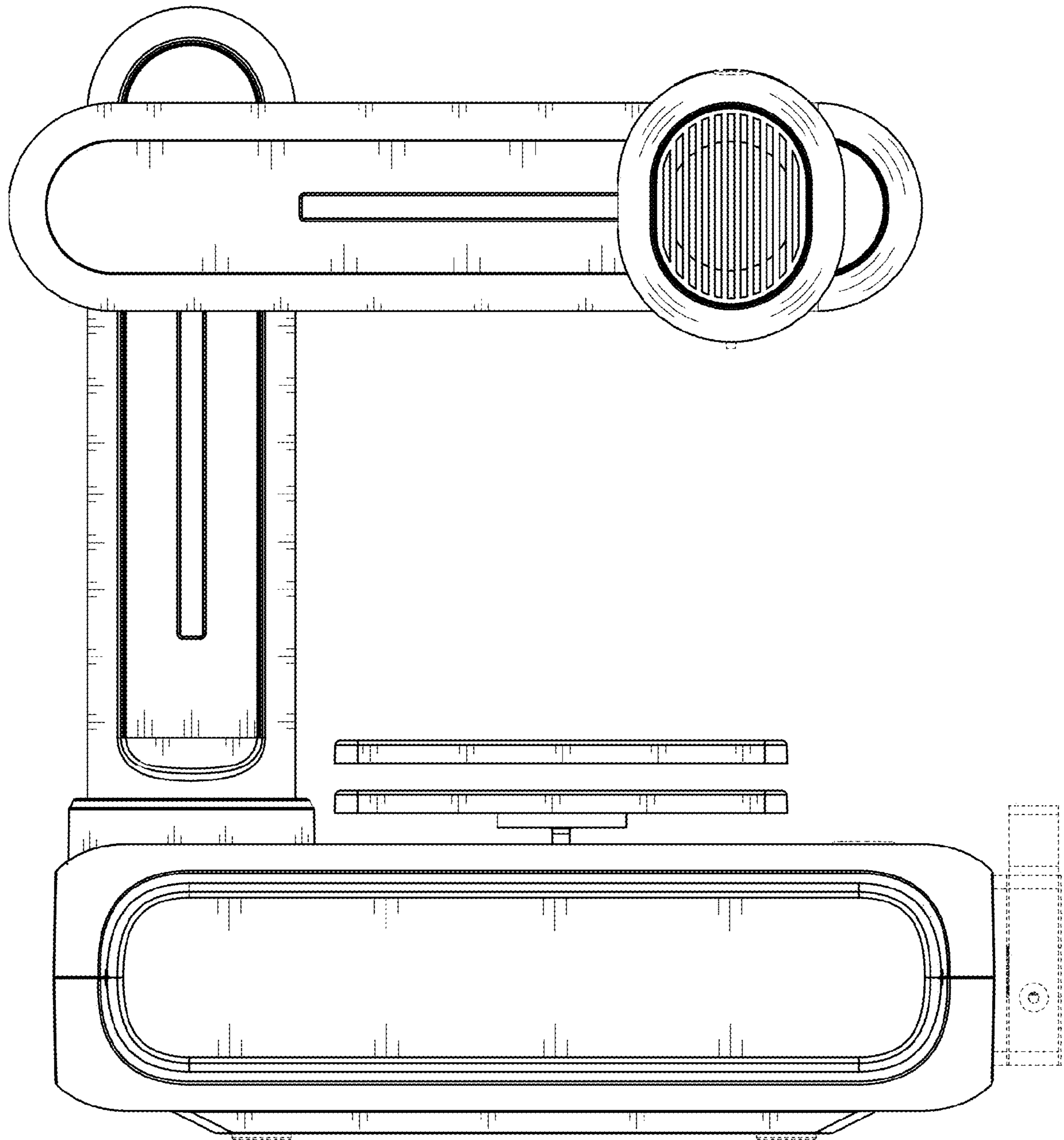


FIG.3

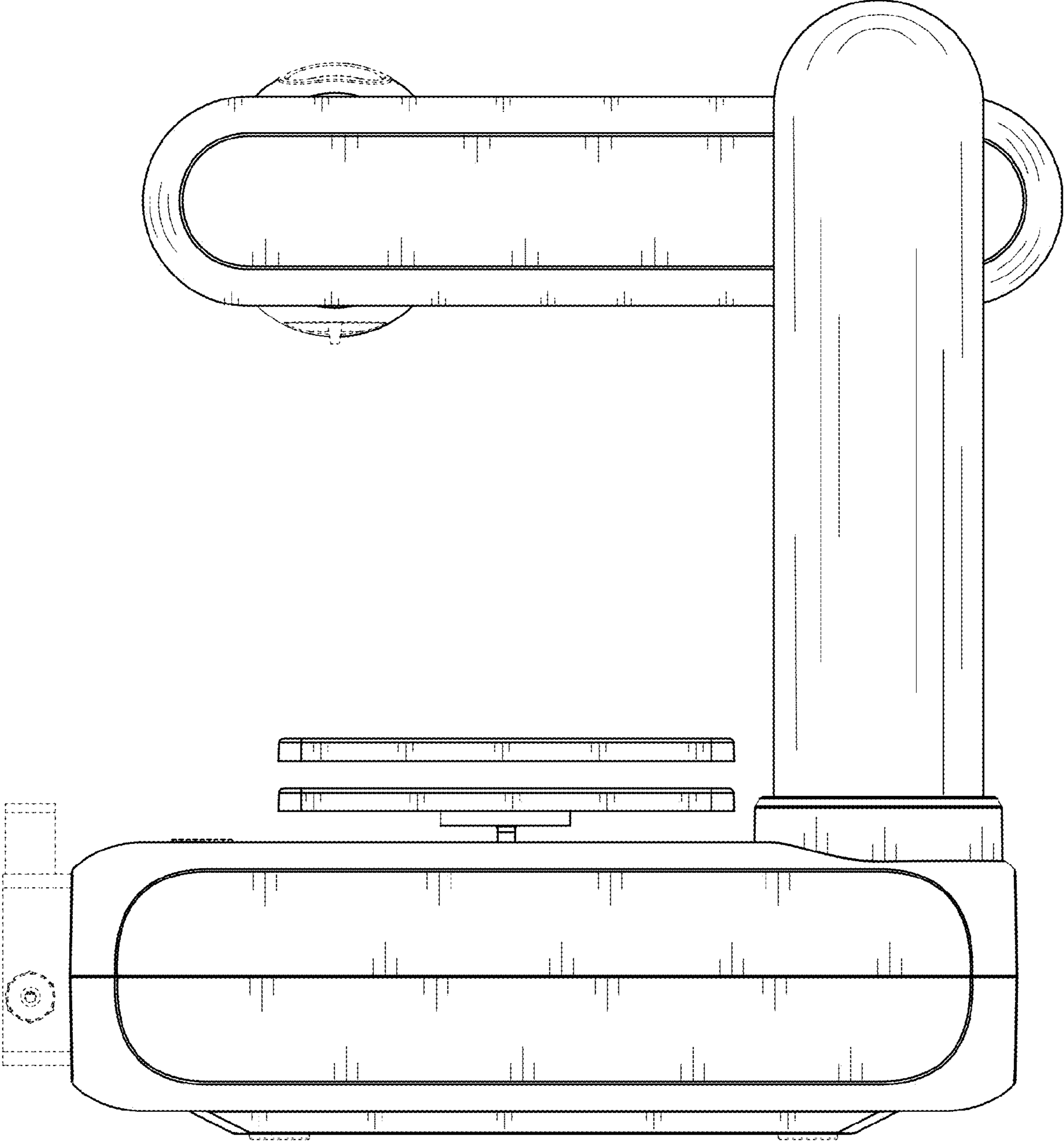


FIG.4

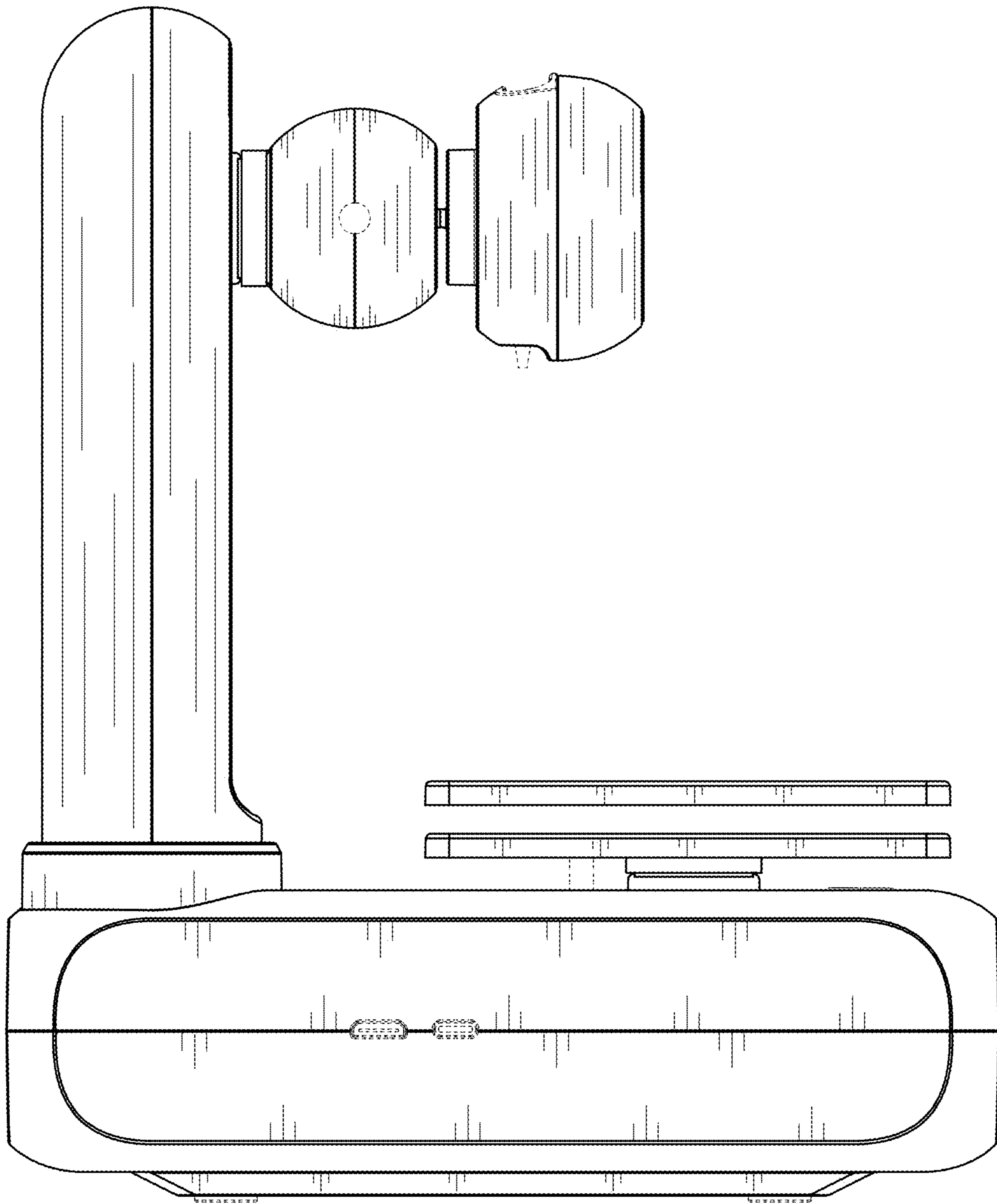


FIG. 5

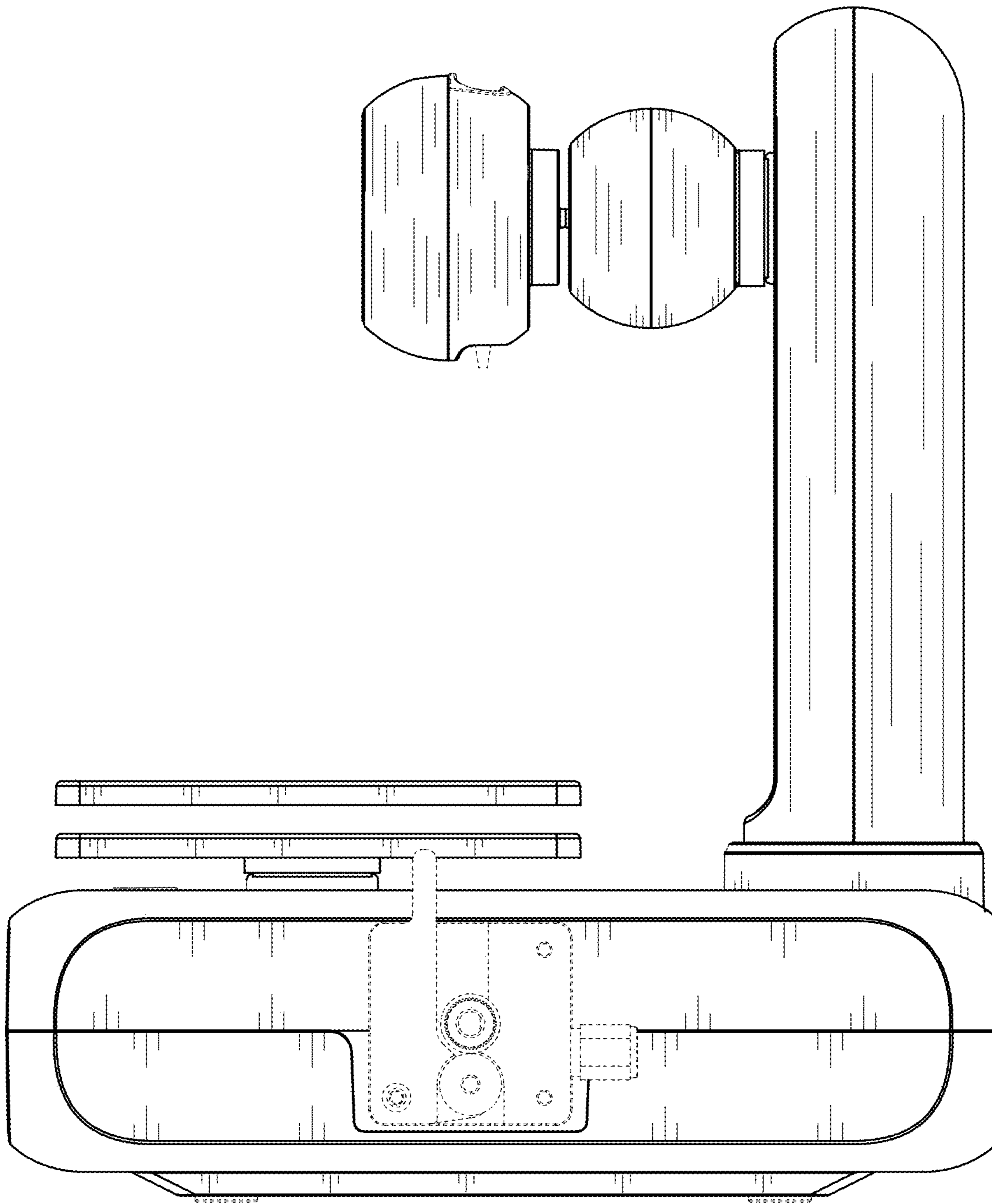


FIG. 6

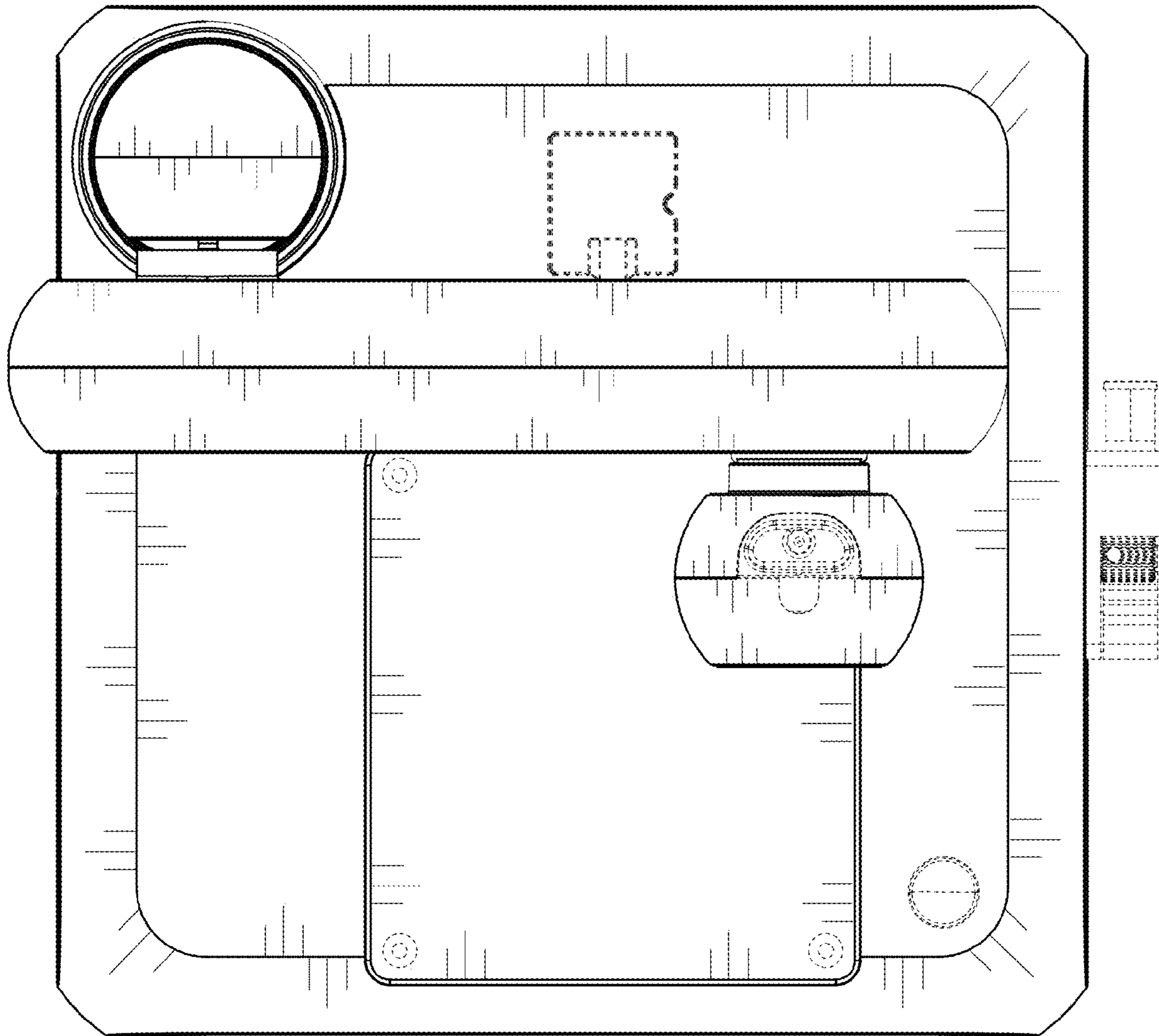


FIG.7



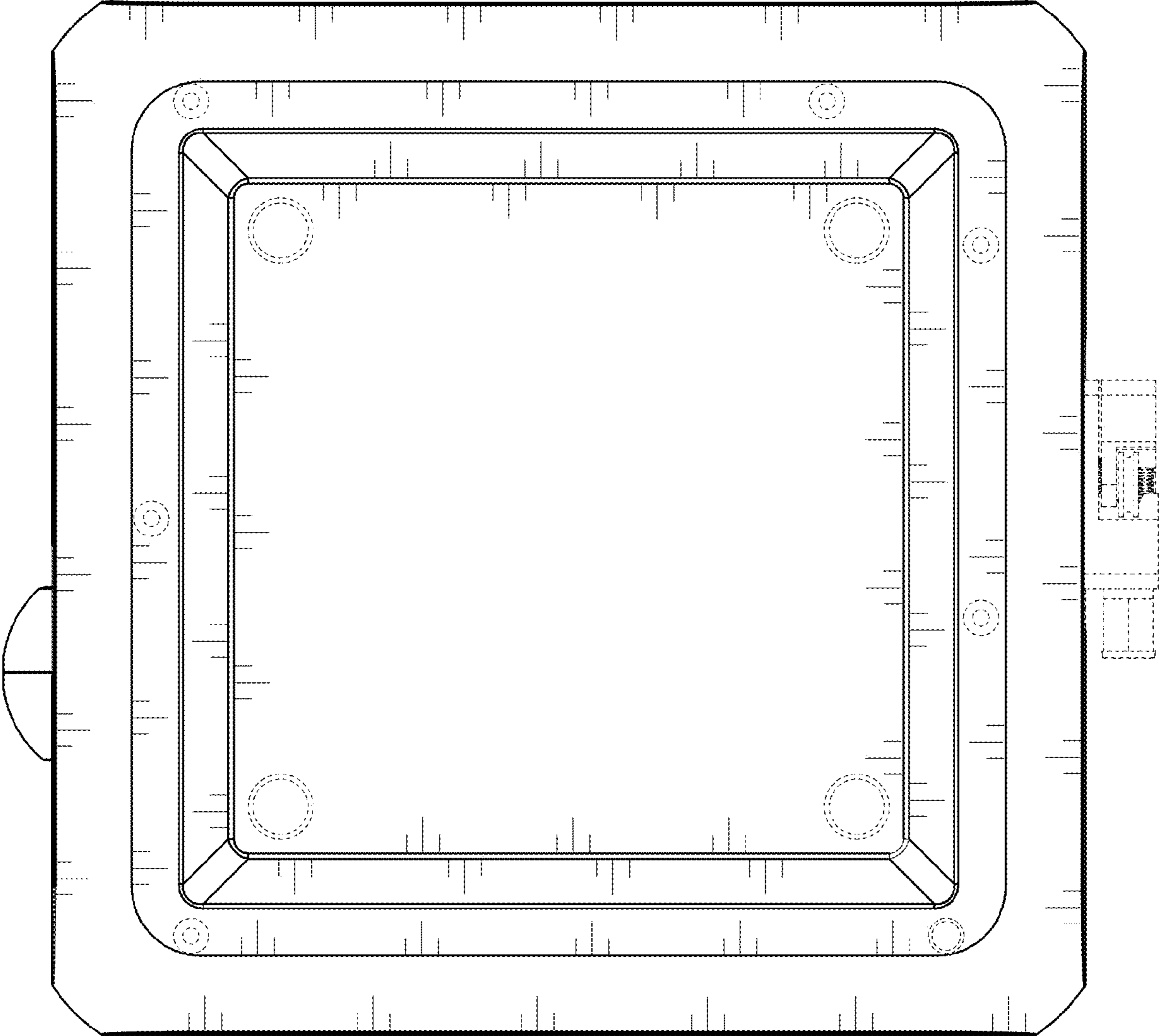


FIG.8

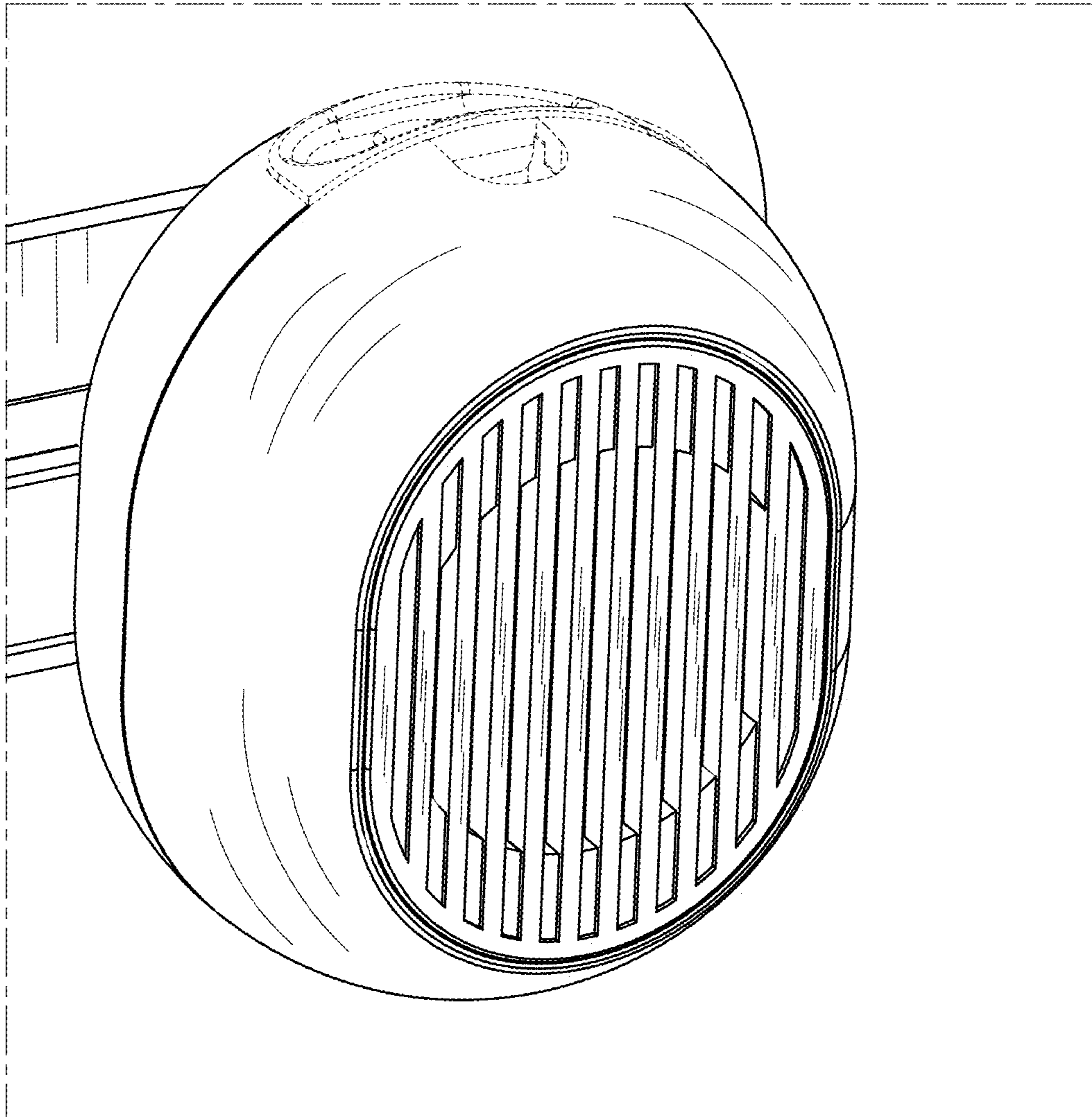


FIG.9

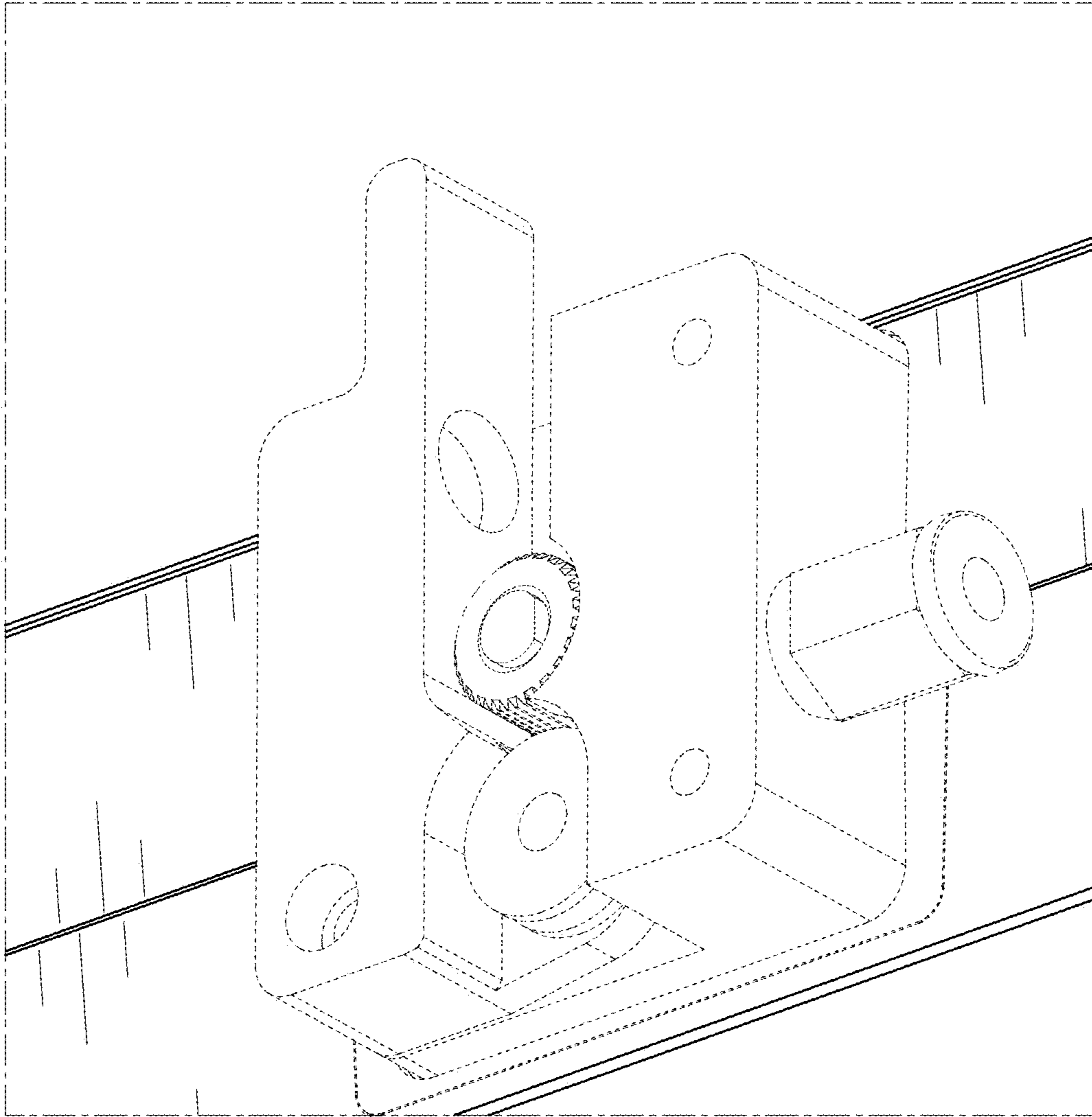


FIG.10