

US00D967251S

(12) **United States Design Patent** (10) **Patent No.:** **US D967,251 S**  
**Maple et al.** (45) **Date of Patent:** **\*\* Oct. 18, 2022**

(54) **PRINTING DEVICE WITH FLATBED SCANNER**

*Primary Examiner* — Jennifer L Rempfer  
*Assistant Examiner* — Danielle Nichole Bowly  
(74) *Attorney, Agent, or Firm* — Michael Dryja

(71) Applicant: **Hewlett-Packard Development Company, L.P.**, Spring, TX (US)

(72) Inventors: **Wade Andrew Farris Maple**, Vancouver, WA (US); **Yanhan Li**, Shanghai (CN); **Jiixin Wang**, Singapore (SG); **Tian Chunyu**, Singapore (SG)

(57) **CLAIM**

The ornamental design for a printing device with flatbed scanner, as shown and described.

(73) Assignee: **Hewlett-Packard Development Company, L.P.**, Spring, TX (US)

**DESCRIPTION**

(\*\*) Term: **15 Years**

(21) Appl. No.: **29/725,999**

(22) Filed: **Feb. 28, 2020**

(51) **LOC (13) Cl.** ..... **14-02**

(52) **U.S. Cl.**  
USPC ..... **D18/53**

(58) **Field of Classification Search**  
USPC ... D18/4.1, 4.4, 4.6, 34.1, 6, 7, 14, 19, 34.3, D18/34.7, 34.8, 34.9, 36, 37, 38, 39, 46,  
(Continued)

FIG. 1 is a perspective view of a printing device having a flatbed scanner.  
FIG. 2 is a top view of the printing device of FIG. 1.  
FIG. 3 is a right side view of the printing device of FIG. 1.  
FIG. 4 is a left side view of the printing device of FIG. 1.  
FIG. 5 is a front view of the printing device of FIG. 1.  
FIG. 6 is a back view of the printing device of FIG. 1.  
FIG. 7 is a perspective view of the printing device of FIG. 1 in which the output tray has been extended and the scanner lid has been raised.  
FIG. 8 is a top view of the printing device of FIG. 1 in which the output tray has been extended and the scanner lid has been raised.  
FIG. 9 is a right side view of the printing device of FIG. 1 in which the output tray has been extended and the scanner lid has been raised.  
FIG. 10 is a left side view of the printing device of FIG. 1 in which the output tray has been extended and the scanner lid has been raised.  
FIG. 11 is a front view of the printing device of FIG. 1 in which the output tray has been extended and the scanner lid has been raised; and,  
FIG. 12 is a back view of the printing device of FIG. 1 in which the output tray has been extended and the scanner lid has been raised.  
Any portions shown in broken lines in the figure are for illustrative purposes only and form no part of the claimed design.

(56) **References Cited**

**U.S. PATENT DOCUMENTS**

D329,870 S 9/1992 Hanasaki et al.  
D421,455 S \* 3/2000 Kobayashi ..... D18/54  
(Continued)

**FOREIGN PATENT DOCUMENTS**

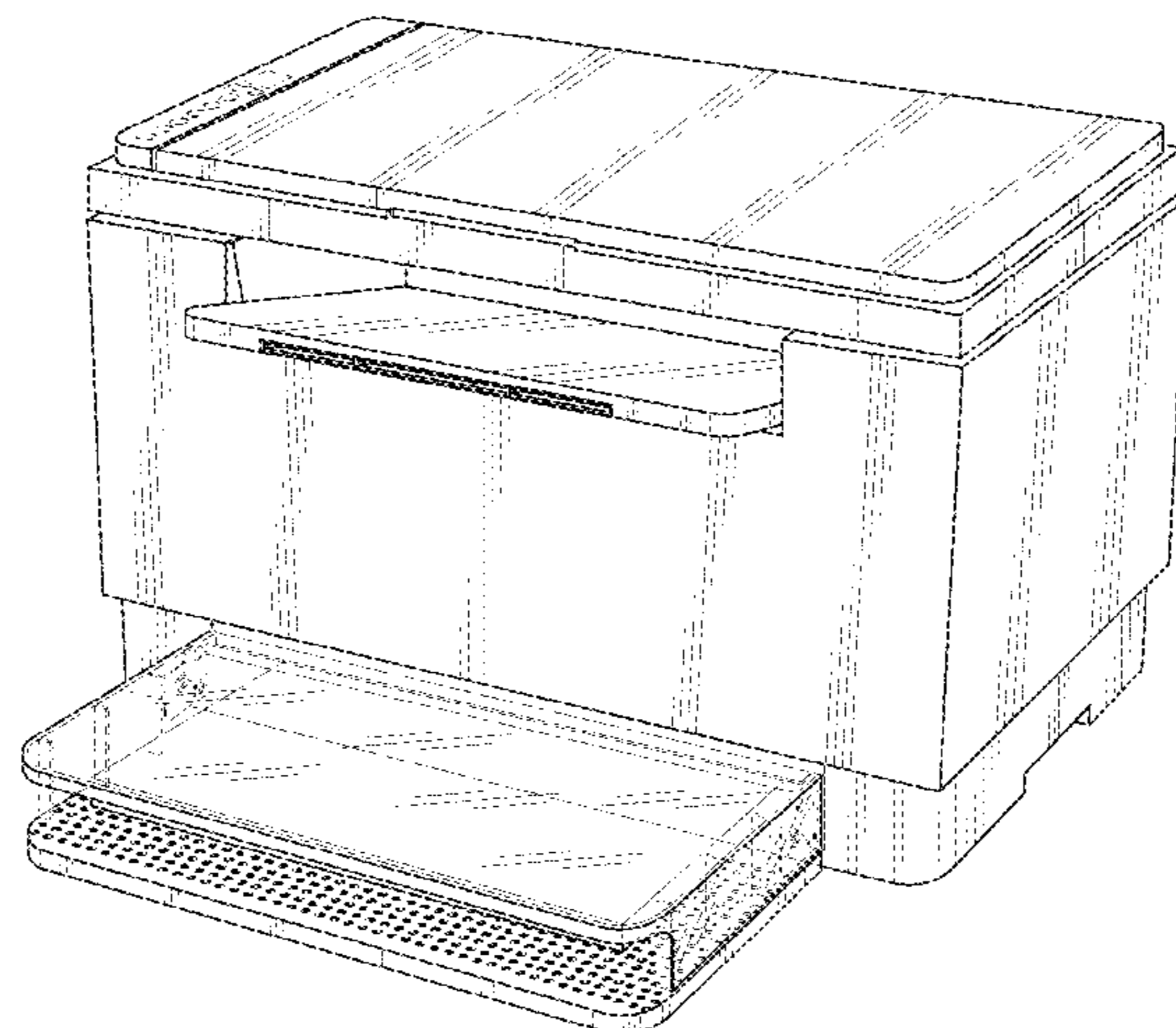
JP 2006001085 1/2006  
JP 2008133112 6/2008  
WO D086572-007 \* 12/2015

**OTHER PUBLICATIONS**

HP LaserJet M209dwe Wireless Black-and-White Laser Printer, p. 2, 2021—Best Buy—29725999,29725995—<https://bit.ly/3InsTzl> (Year: 2021).\*

(Continued)

**1 Claim, 12 Drawing Sheets**



(58) **Field of Classification Search**

USPC ..... D18/47, 48, 49, 50, 53, 54, 55, 56, 59;  
 D14/300, 301, 302, 303, 307, 308, 314,  
 D14/321, 365, 445, 446; D6/514, 672  
 CPC ..... H04N 1/00278; B26D 1/065; B26D 1/45;  
 B41J 15/044; B41J 2/1752; B41J 29/02;  
 B41J 29/08; B41J 17/00; B41J 15/42;  
 B41J 15/12; B41J 11/58; B41J 3/4075;  
 B29C 47/12

See application file for complete search history.

D660,908 S	5/2012	Leman et al.	
D681,107 S *	4/2013	Larson .....	D18/50
D722,338 S *	2/2015	So .....	D18/50
D752,143 S	3/2016	So et al.	
D757,164 S *	5/2016	Hiraga .....	D18/50
9,561,920 B1	2/2017	Wilsher et al.	
D817,391 S *	5/2018	Chin .....	D18/55
D818,533 S *	5/2018	Su .....	D18/55
D837,290 S *	1/2019	Umezawa .....	D18/19
D853,479 S *	7/2019	Francke .....	D18/55
D899,515 S *	10/2020	Kim .....	D18/50
11,148,425 B2 *	10/2021	Sawadaishi .....	B41J 2/17553
2014/0334834 A1	11/2014	Katsuyama	

(56) **References Cited**

U.S. PATENT DOCUMENTS

D427,235 S *	6/2000	Kaseno .....	D18/54
6,089,772 A	7/2000	Takemura et al.	
D483,061 S *	12/2003	Wong .....	D18/55
D494,215 S *	8/2004	Evers .....	D18/55
D516,120 S *	2/2006	Yamano .....	D18/55
D521,059 S	5/2006	Richtsmeier et al.	
D528,158 S	9/2006	Watarai	
D555,194 S *	11/2007	Smith .....	D18/55
D631,479 S *	1/2011	Komuro .....	D14/422

OTHER PUBLICATIONS

HP P1505 Laserjet Printer, Amazon.com accessed Nov. 1, 2019, date first listed Aug. 22, 2003 <https://www.amazon.com/HP-CB412A-ABA-Laserjet-Printer/dp/B000YTNY5U>.

Needleman, T., "Xerox Phaser 6010 review", Oct. 2, 2013, <https://www.digitaltrends.com/printer-reviews/xerox-phaser-6010-review/>.

\* cited by examiner

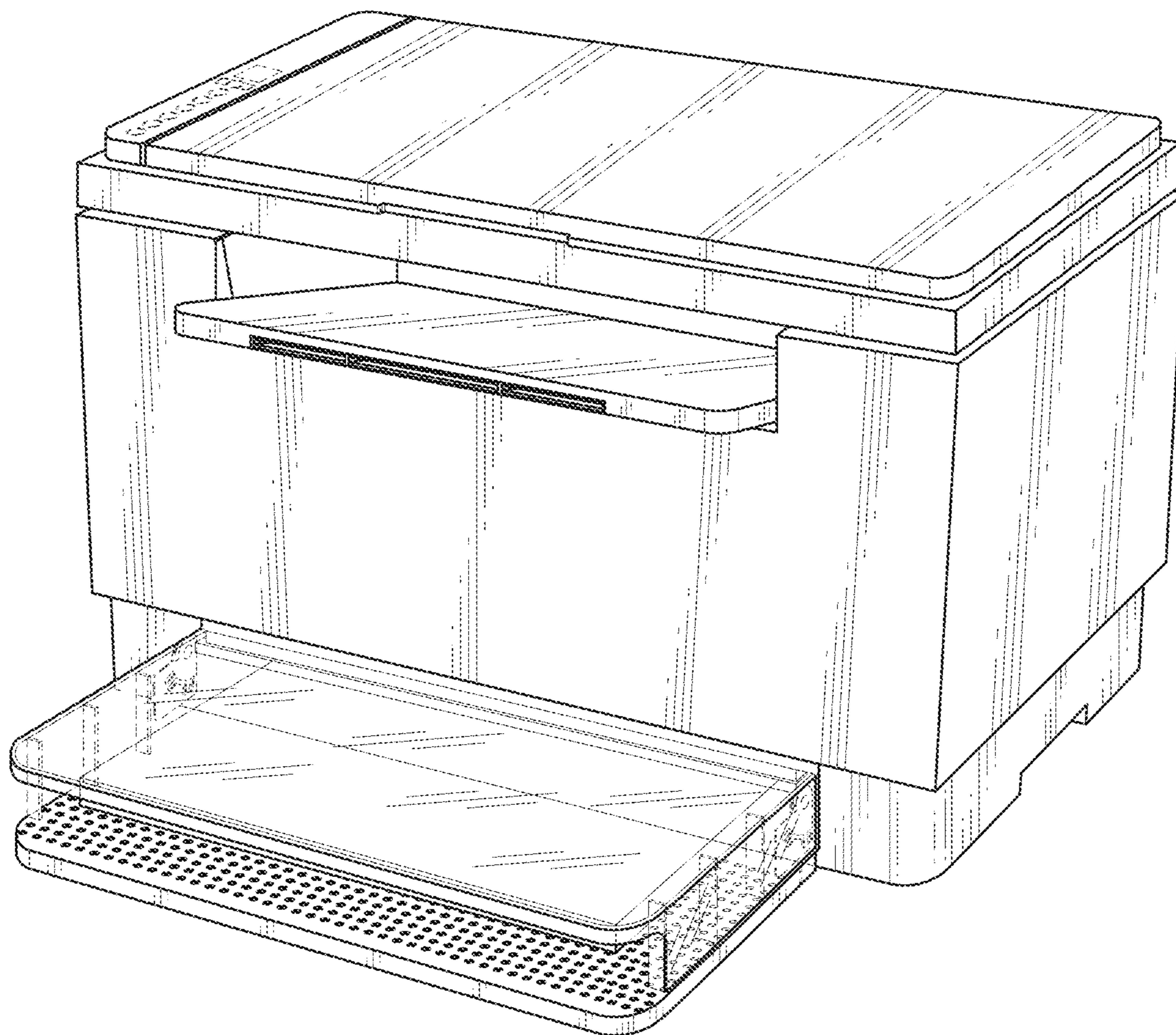


FIG. 1

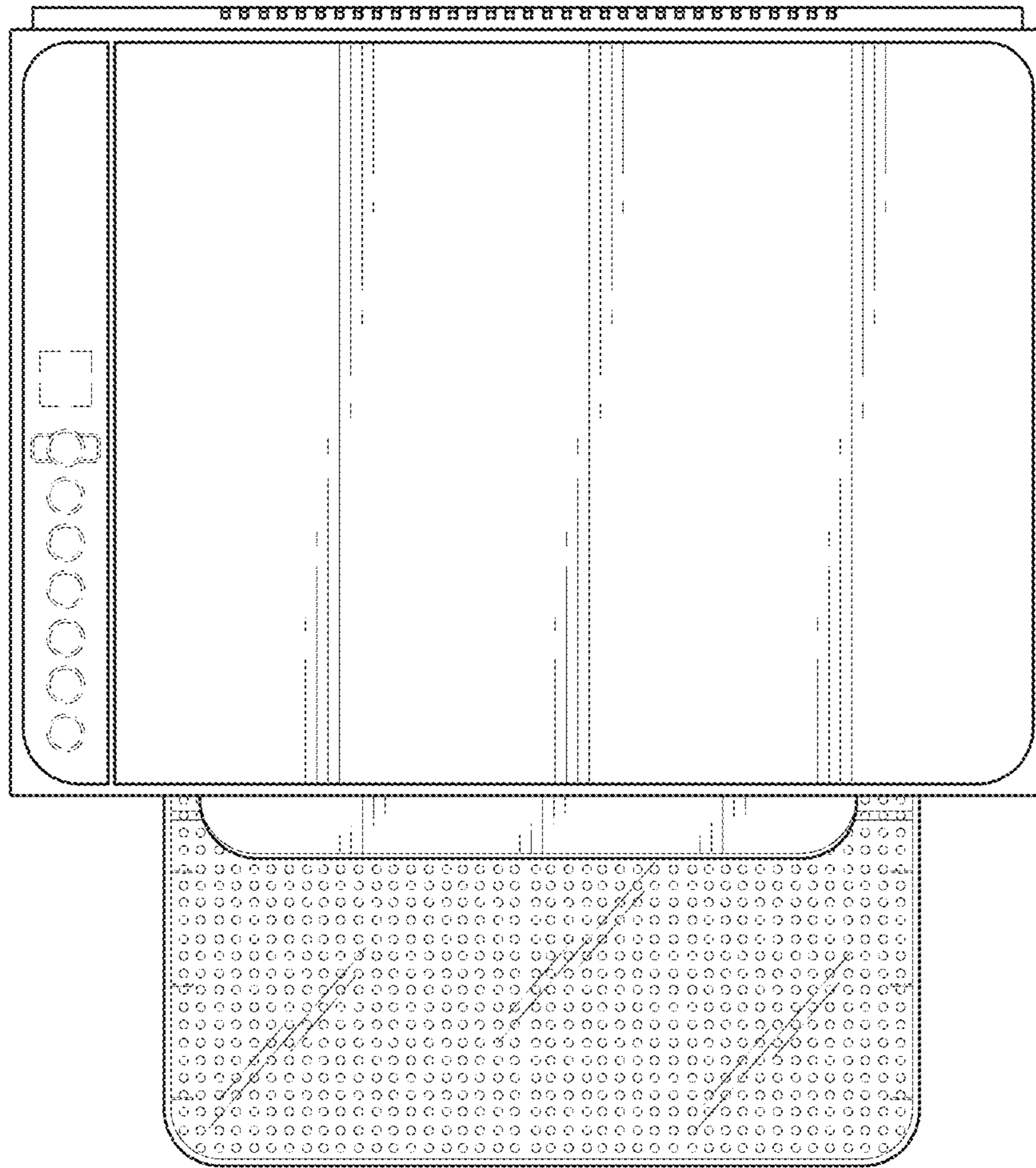


FIG. 2

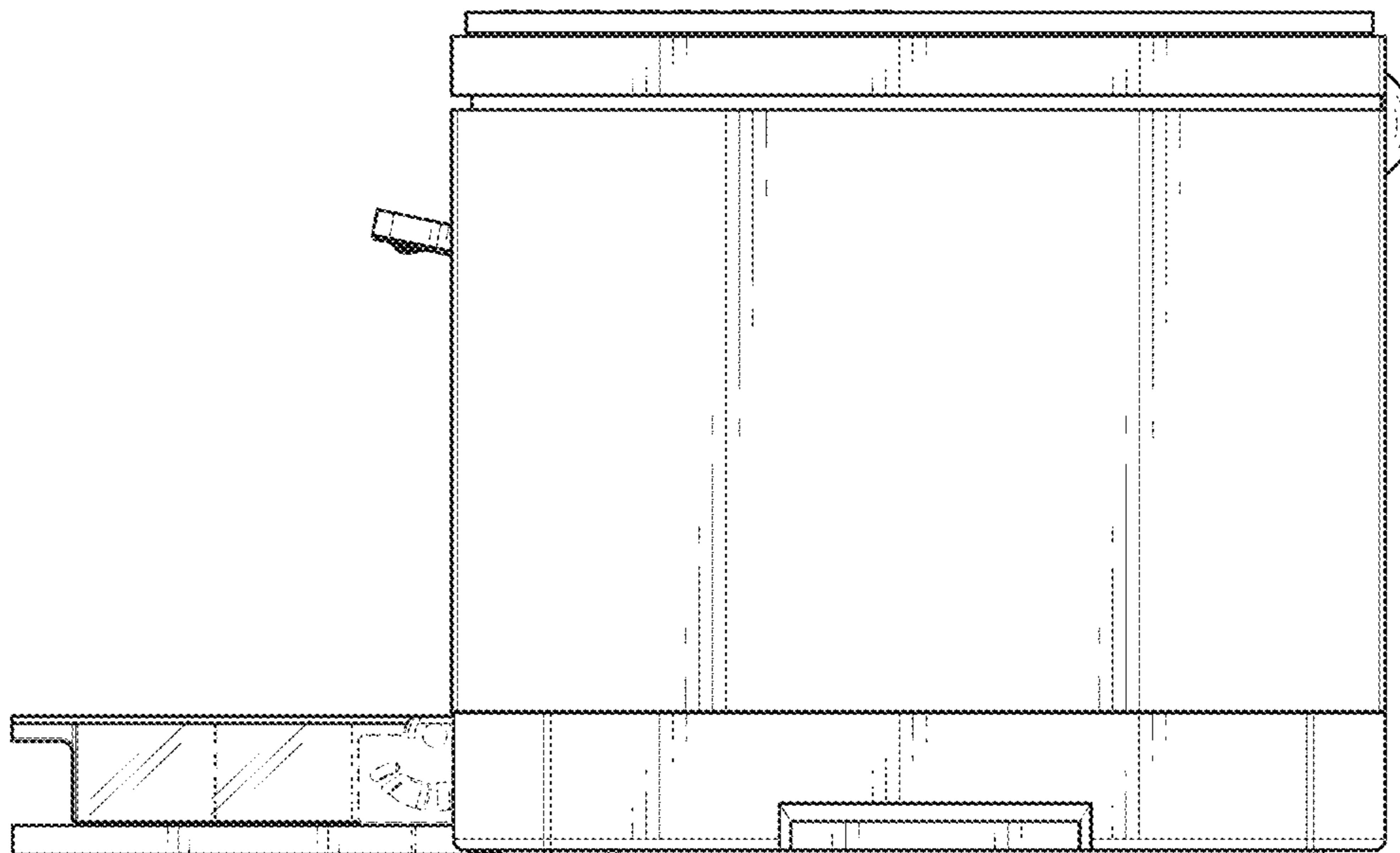


FIG. 3

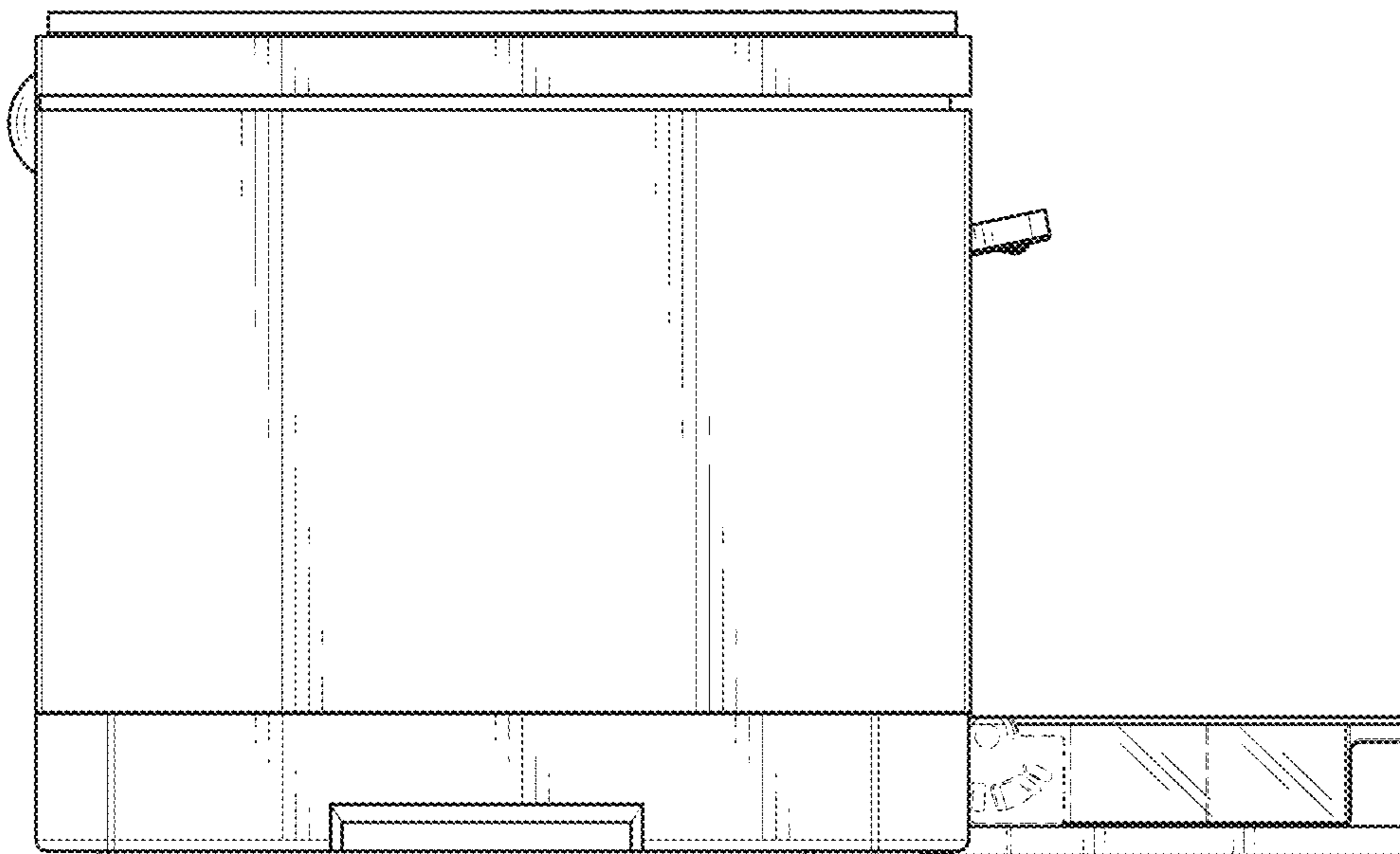


FIG. 4

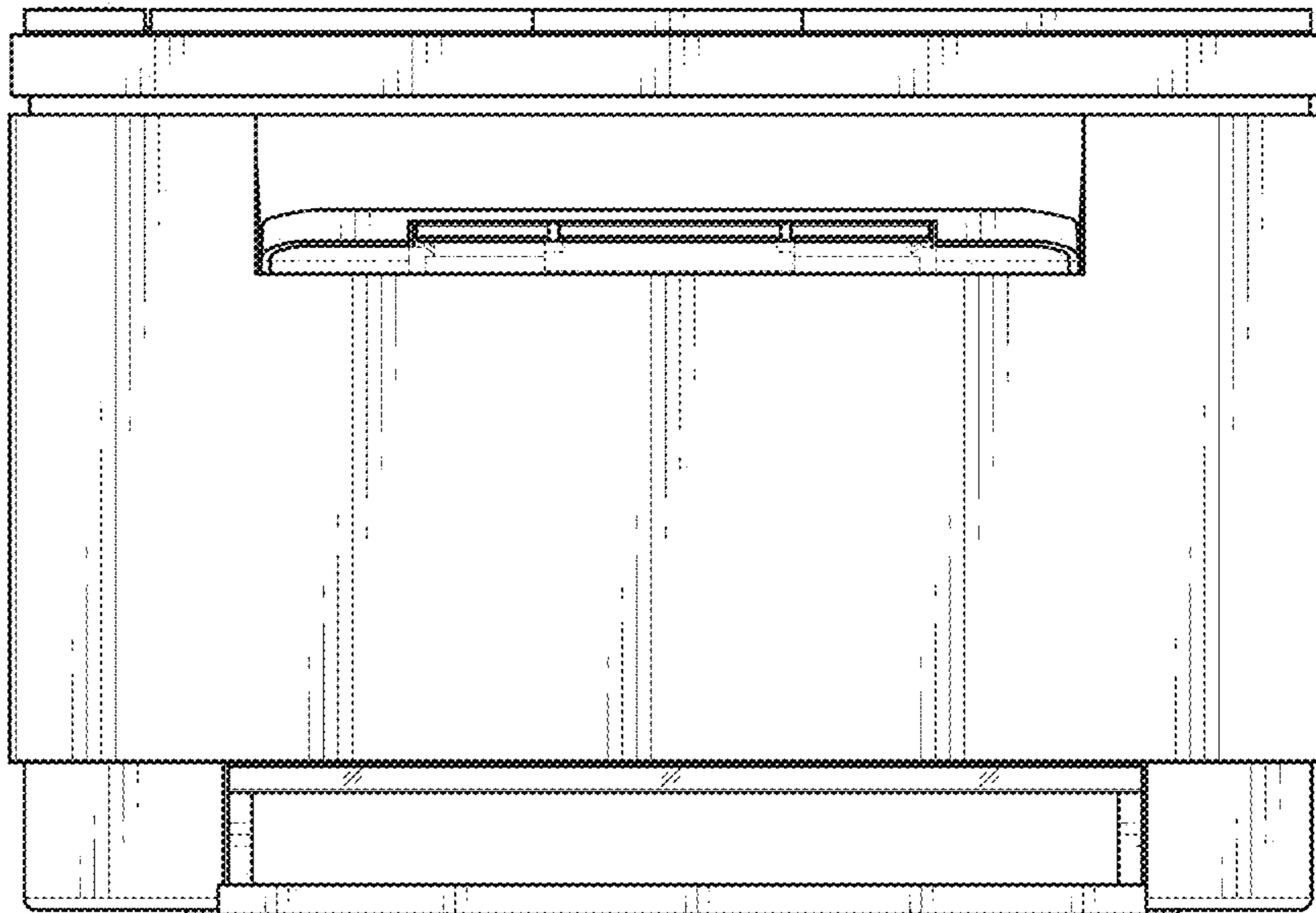


FIG. 5

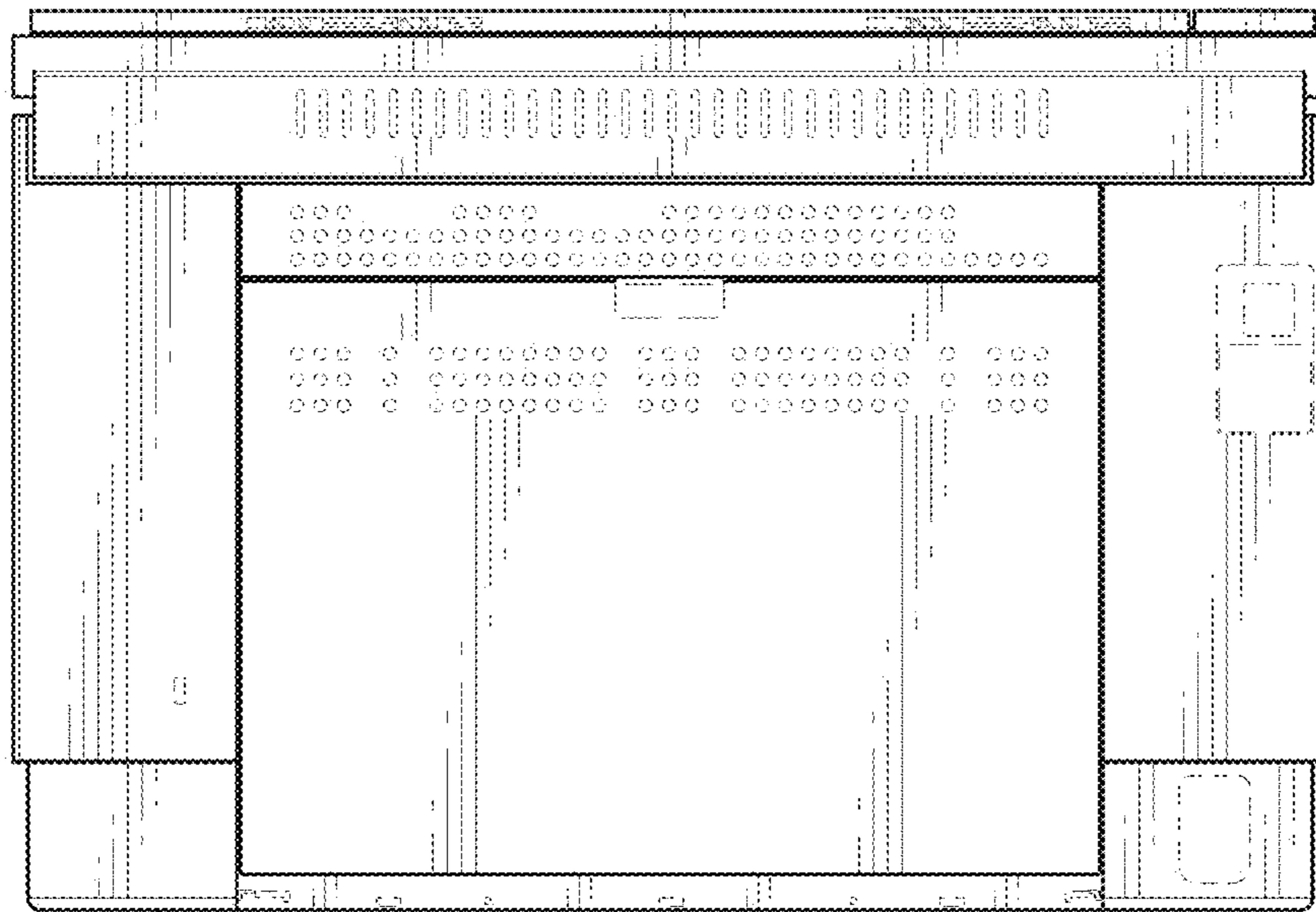


FIG. 6



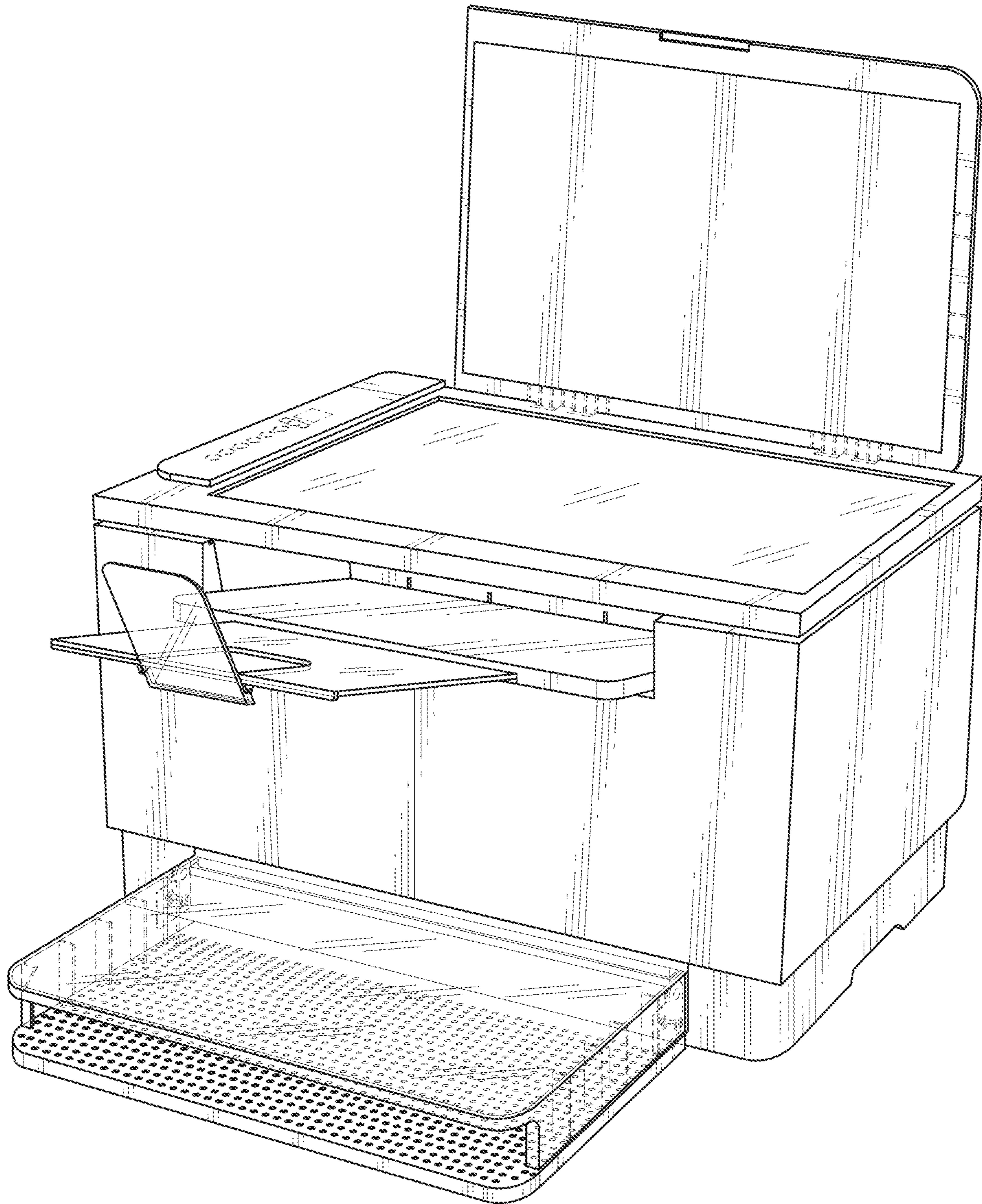


FIG. 7

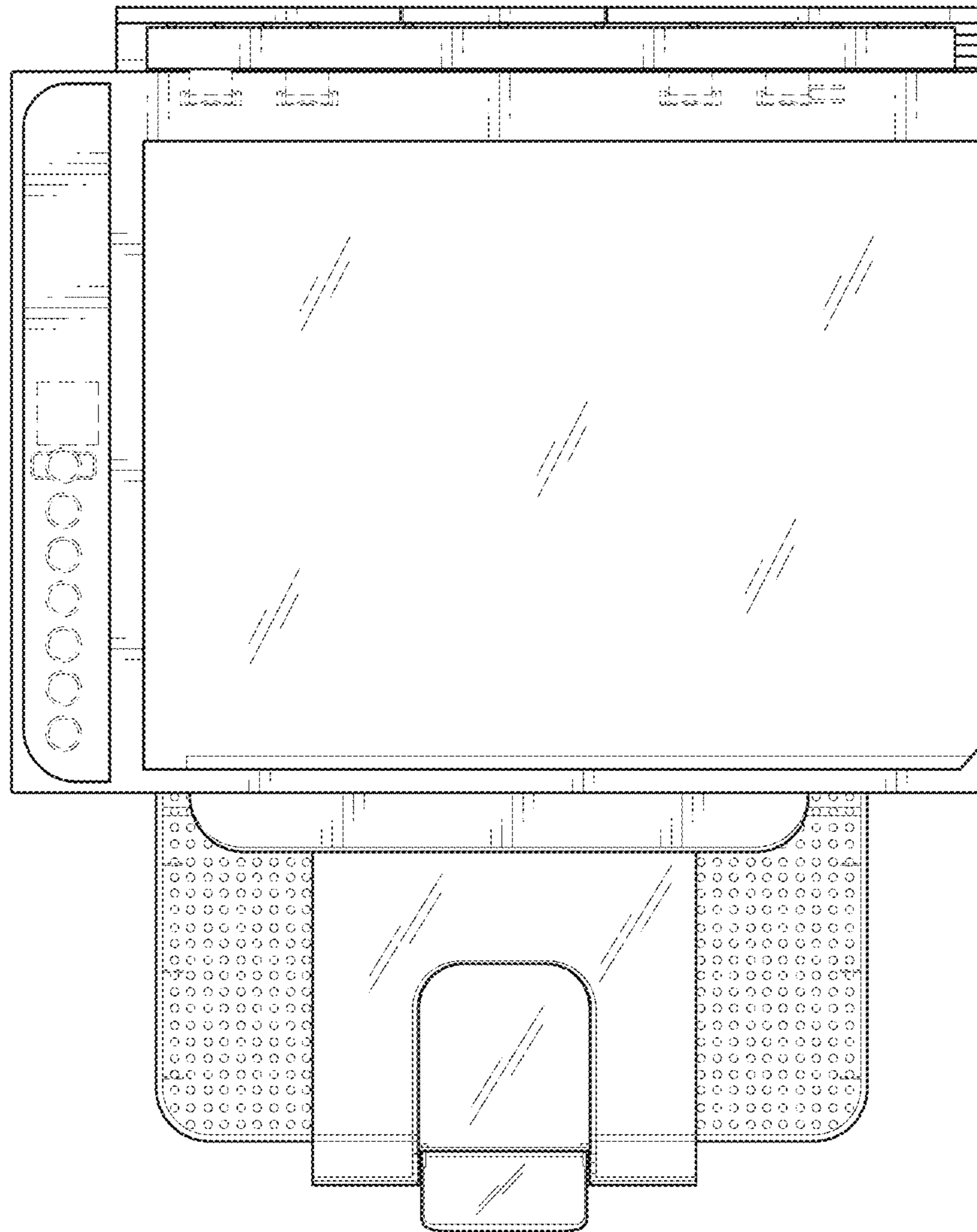


FIG. 8

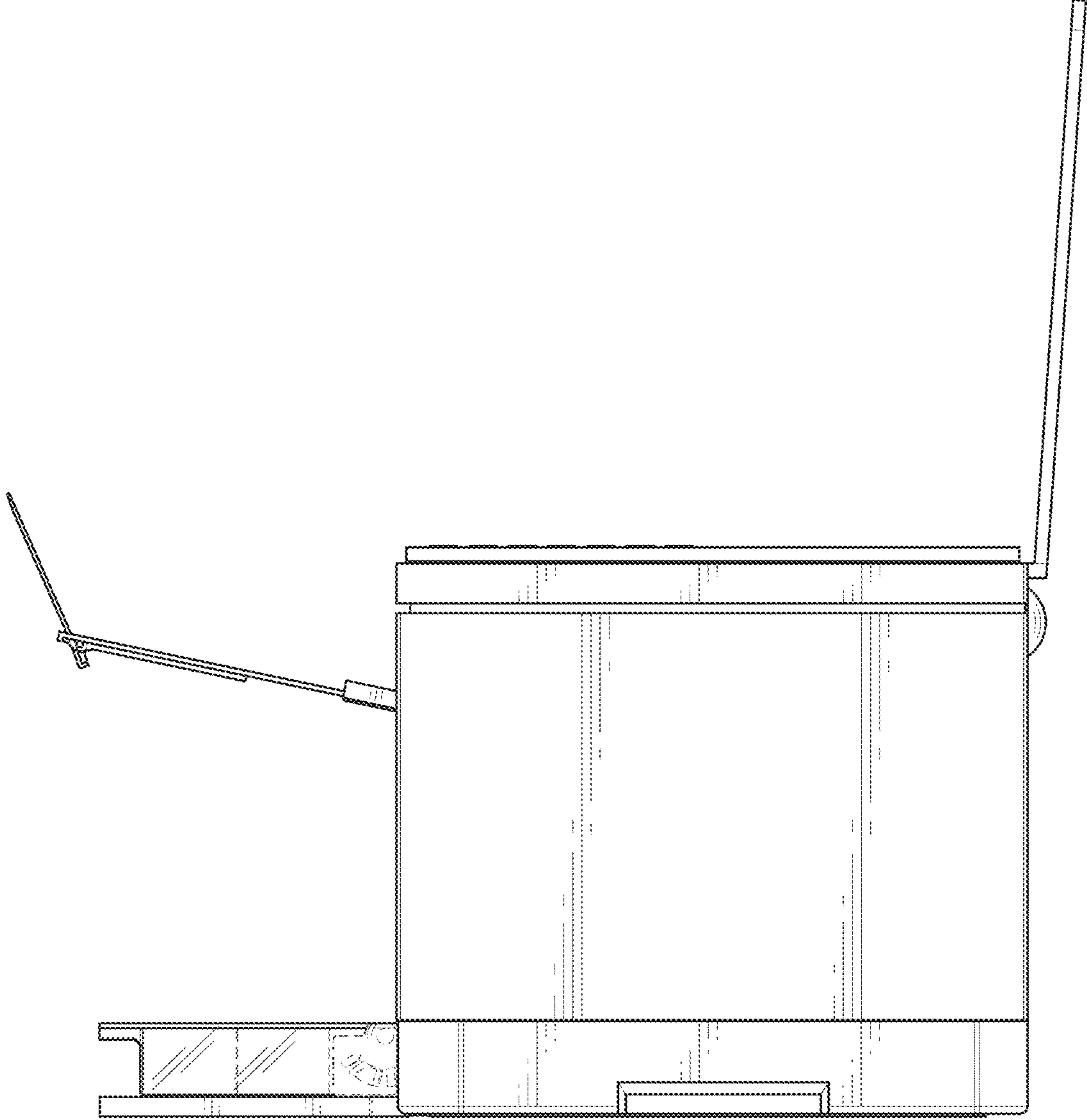


FIG. 9

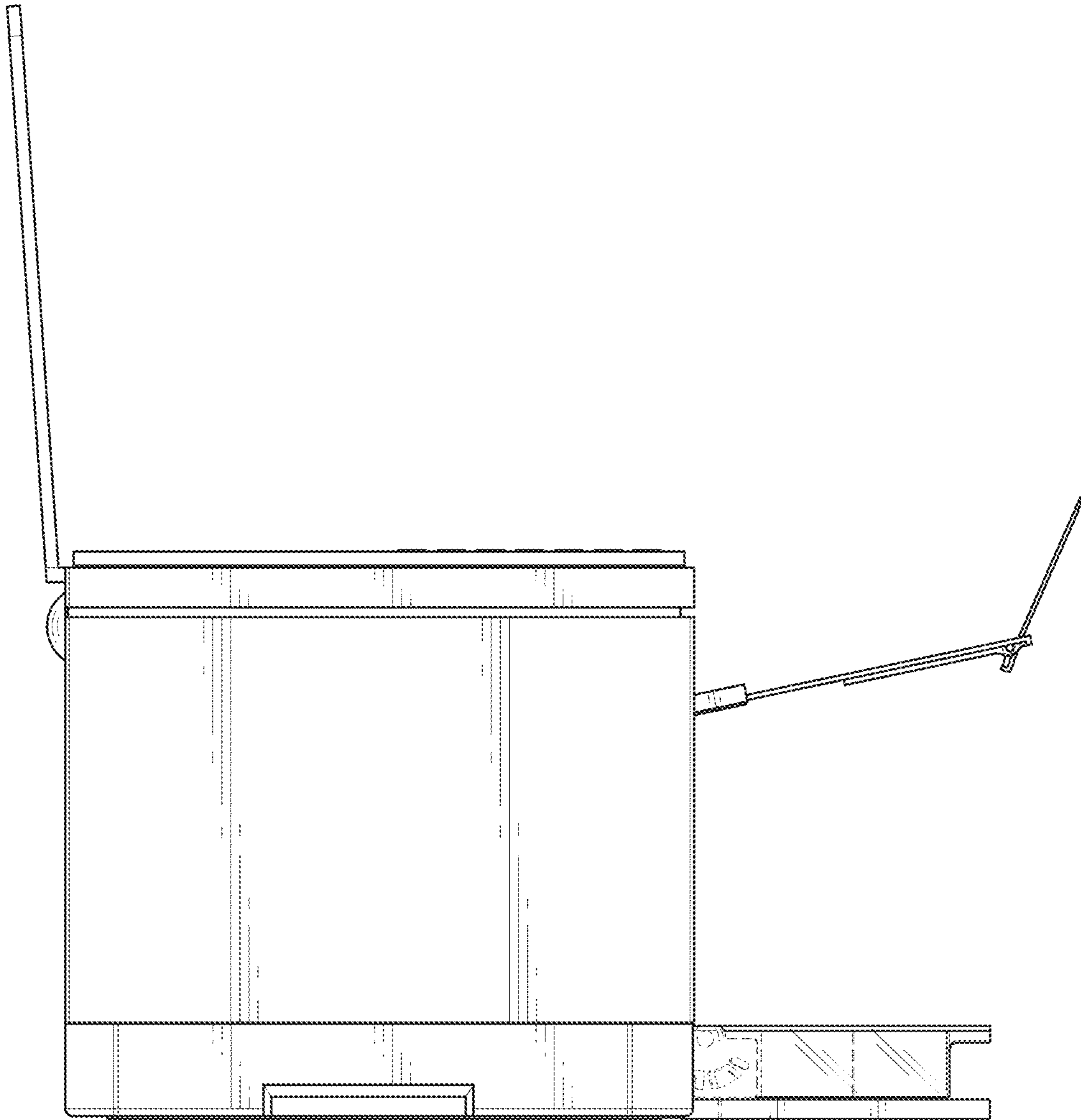


FIG. 10

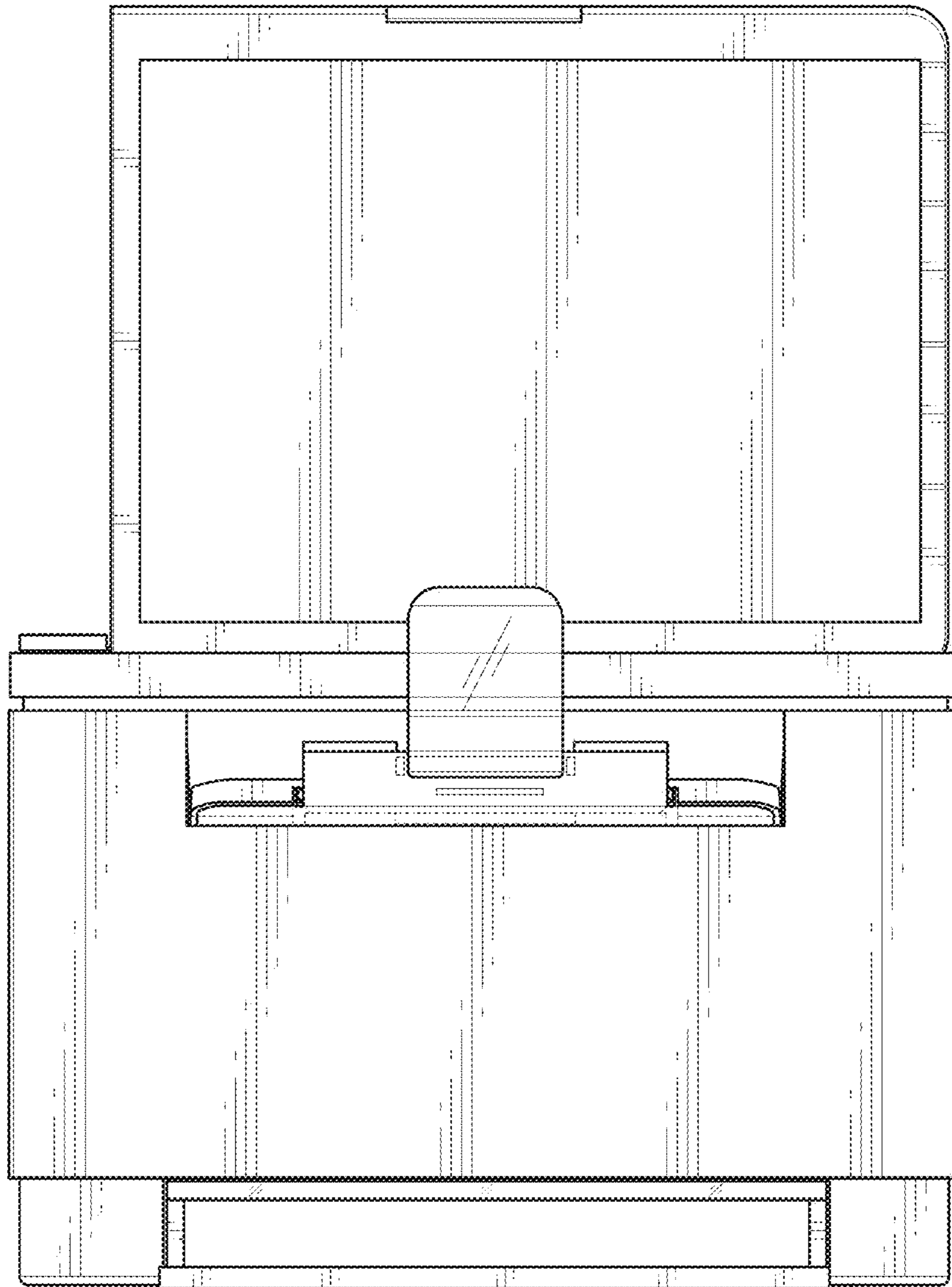


FIG. 11

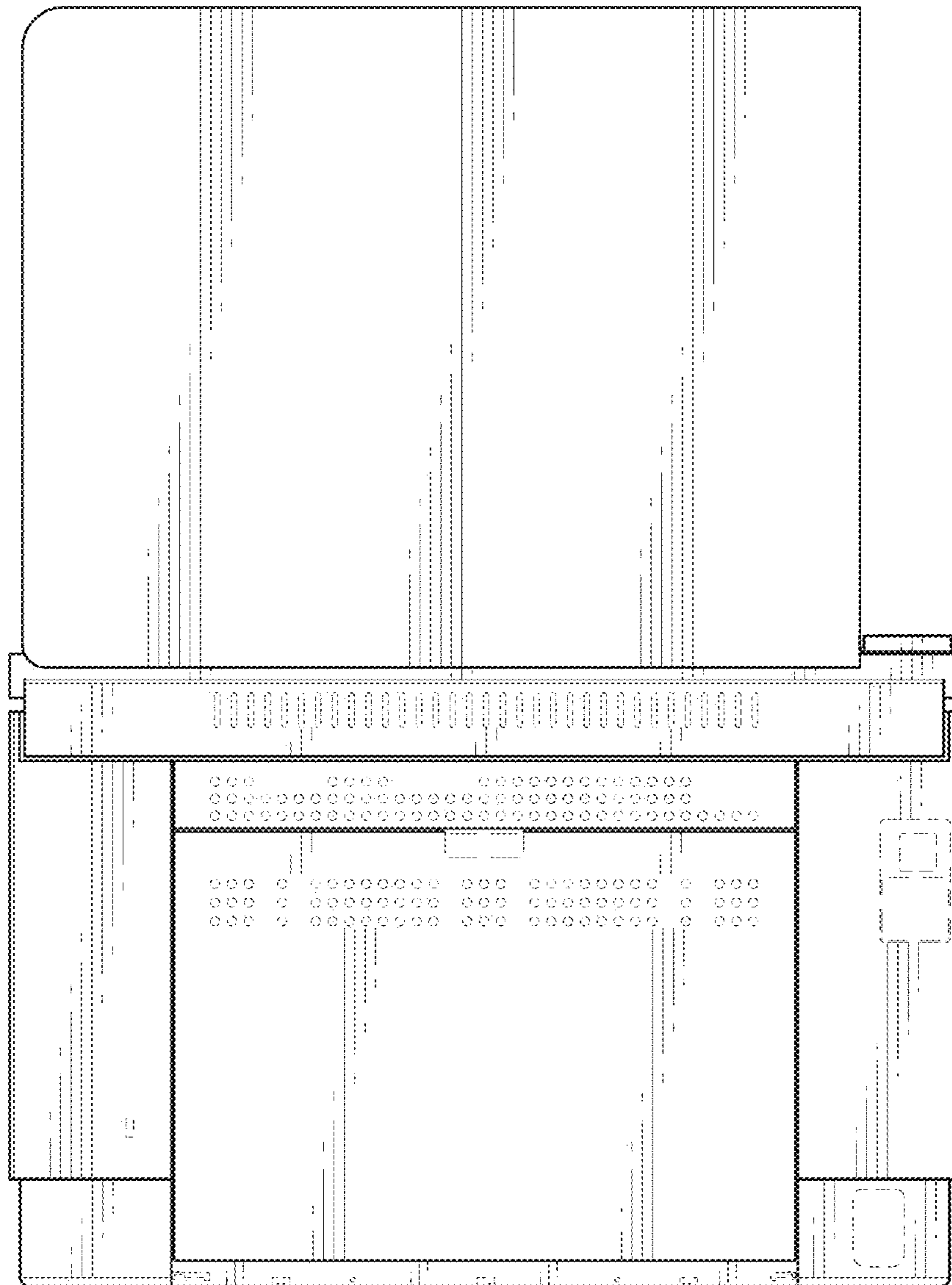


FIG. 12