



US00D967250S

(12) **United States Design Patent** (10) **Patent No.:** **US D967,250 S**
Singh et al. (45) **Date of Patent:** **** Oct. 18, 2022**

(54) **CARTON SERIALISATION MACHINE**
(71) Applicant: **ACG Inspection Systems Pvt. Ltd.,**
Maharashtra (IN)
(72) Inventors: **Karan Singh, Mumbai (IN); Siddhant**
Bhambhani, Mumbai (IN)
(73) Assignee: **ACG Inspection Systems Pvt. Ltd.,**
Mumbai (IN)

D893,567 S * 8/2020 Cumming D15/122
D907,077 S * 1/2021 Gjovik D15/135
D914,778 S * 3/2021 Singh B30B 11/08
D15/145
D916,156 S * 4/2021 Singh D15/145
D918,278 S * 5/2021 Katou D15/122
D920,145 S * 5/2021 Livingston D24/216
D922,479 S * 6/2021 Tolstaya D18/4.1
D932,525 S * 10/2021 Son D15/127

(Continued)

(**) Term: **15 Years**

(21) Appl. No.: **29/721,472**

(22) Filed: **Jan. 21, 2020**

(30) **Foreign Application Priority Data**

Aug. 16, 2019 (IN) 320758-001

(51) **LOC (13) Cl.** **14-02**

(52) **U.S. Cl.**
USPC **D18/53**

(58) **Field of Classification Search**
USPC D15/138, 135, 122; D18/50, 52, 54, 55,
D18/56
CPC ... B65H 1/02; B41J 17/00; B41J 29/08; B41J
29/02; B41J 2/1752; B41J 2/175; B41J
15/044; B26D 1/045; B26D 1/065; B41M
2205/06; B41M 2205/04; B41M 5/035;
B41M 5/03; B41M 5/0094; B41M 1/26;
B41M 1/24; H04N 1/00278
See application file for complete search history.

(56) **References Cited**

U.S. PATENT DOCUMENTS

D214,404 S * 6/1969 Edwards et al. D18/53
D750,163 S * 2/2016 Arima D18/50
D754,763 S * 4/2016 Kraibühler D15/122
D861,746 S * 10/2019 Clark, III D15/122
D873,314 S * 1/2020 Gauthier D15/122
D882,651 S * 4/2020 Moser D15/135

FOREIGN PATENT DOCUMENTS

CN 305440849 * 11/2019

OTHER PUBLICATIONS

Carton Serialization Machine, p. 1, 2021, acg.world.com-29721472-
<https://www.acg-world.com/archives/inspection/inspection-tt-verishield/verishield-cs15> (Year: 2021).*

Primary Examiner — Jennifer L Rempfer

Assistant Examiner — Danielle Nichole Bowly

(74) *Attorney, Agent, or Firm* — Freeborn & Peters, LLP

(57) **CLAIM**

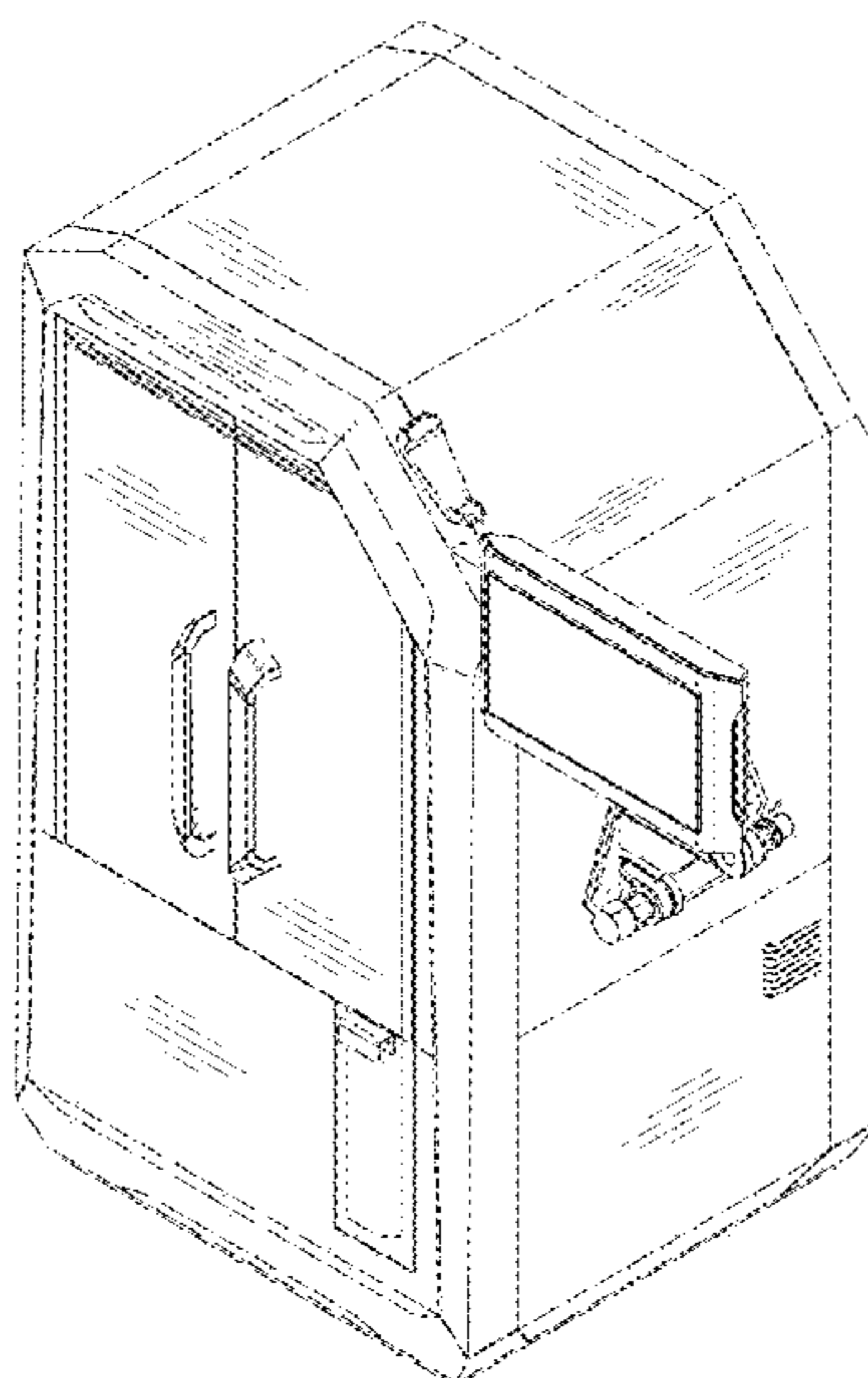
The ornamental design for a carton serialisation machine, as shown and described.

DESCRIPTION

FIG. 1 is a right front perspective view of a carton seriali-
sation machine according to our new design;
FIG. 2 is a left front perspective view thereof;
FIG. 3 is front view thereof;
FIG. 4 is a rear view thereof;
FIG. 5 is a right side view thereof;
FIG. 6 is a left side view thereof;
FIG. 7 is a top view thereof; and,
FIG. 8 is bottom view thereof.

The broken lines illustrate portions of the carton serialisation machine that form no part of the claimed design.

1 Claim, 8 Drawing Sheets



(56)

References Cited

U.S. PATENT DOCUMENTS

D937,912 S * 12/2021 Reches D15/122
D941,892 S * 1/2022 Reches D15/199
2019/0235803 A1* 8/2019 Wong B41J 29/023

* cited by examiner

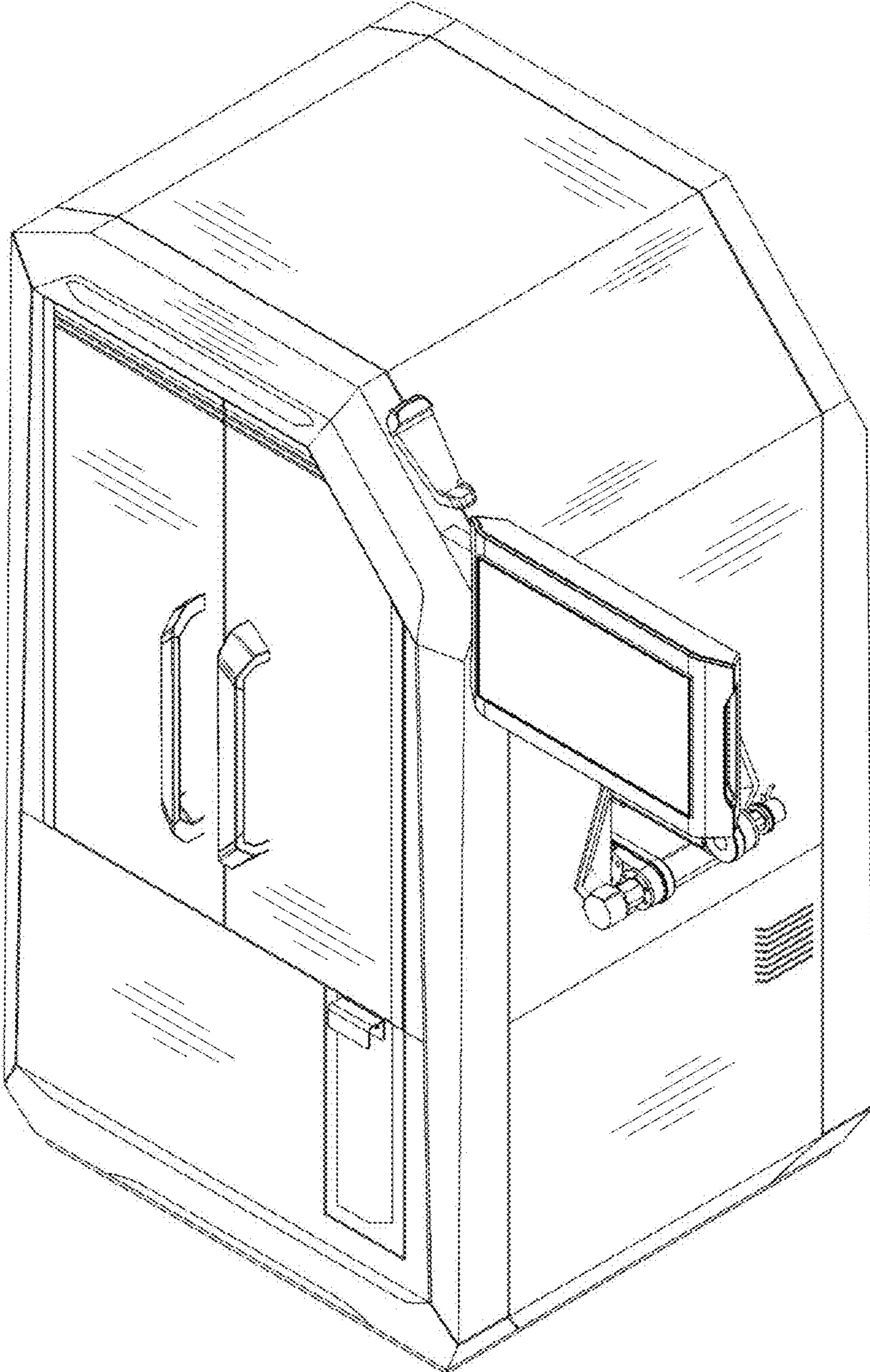


FIG. 1

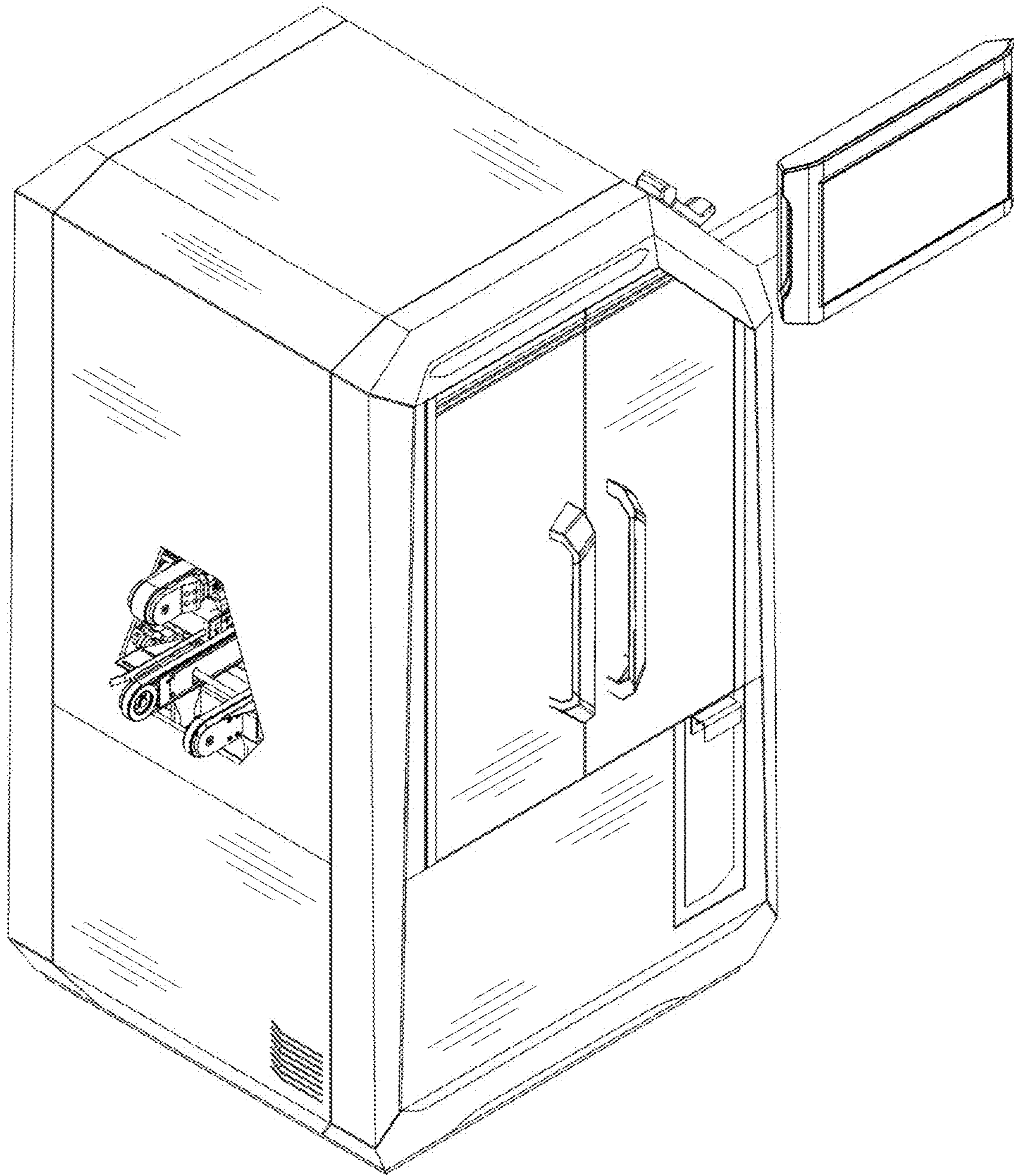


FIG. 2

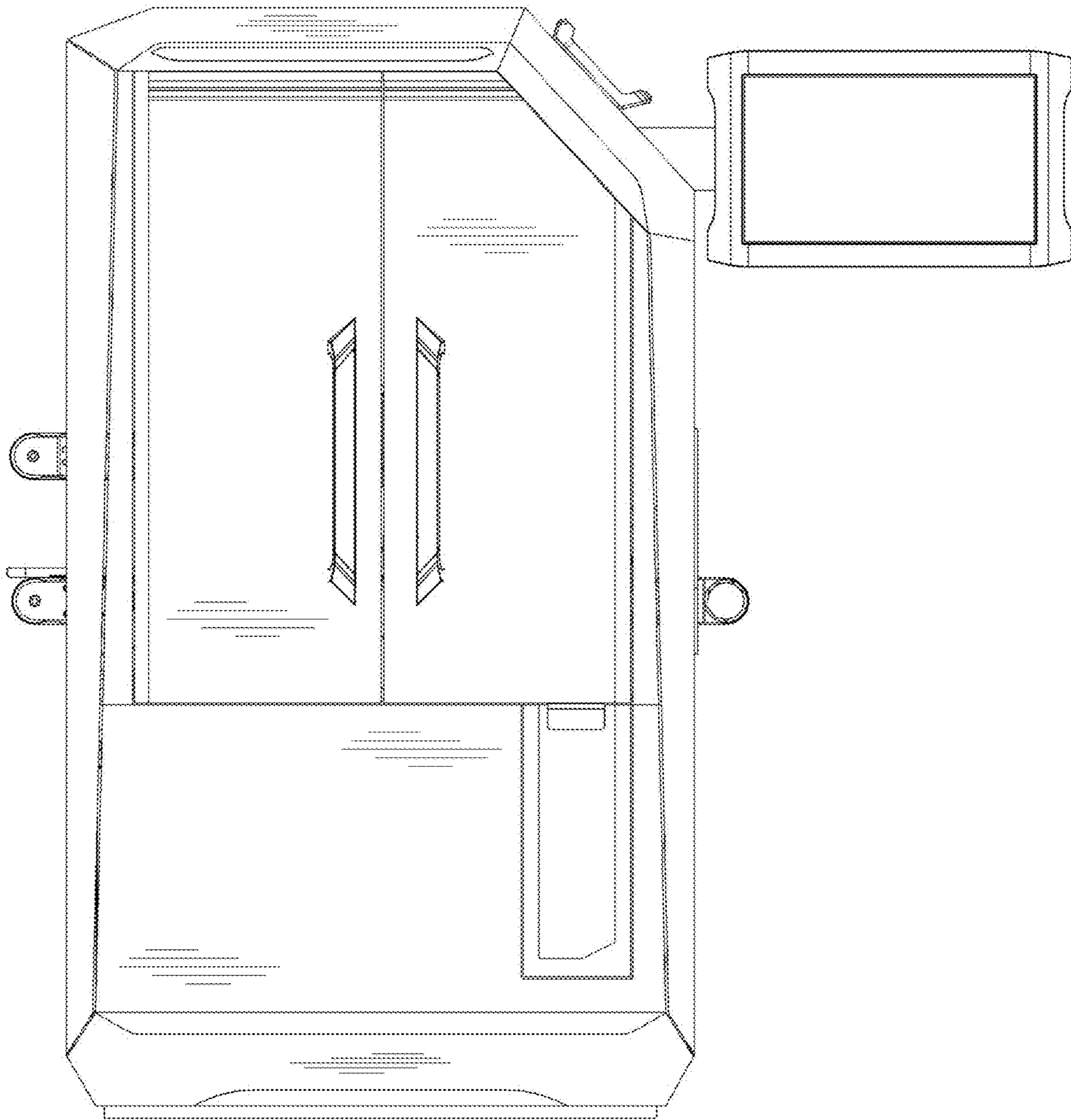


FIG. 3

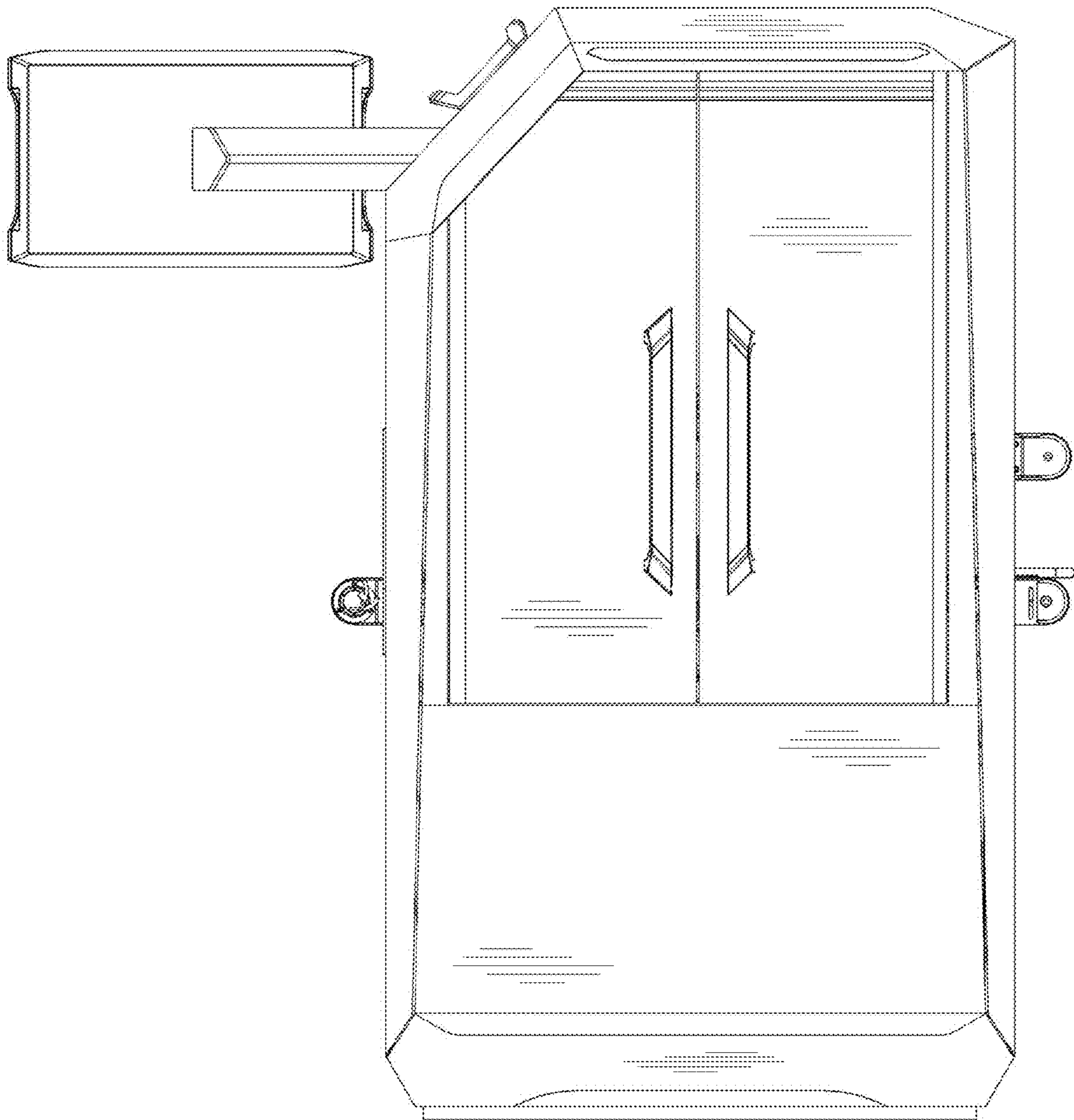


FIG. 4

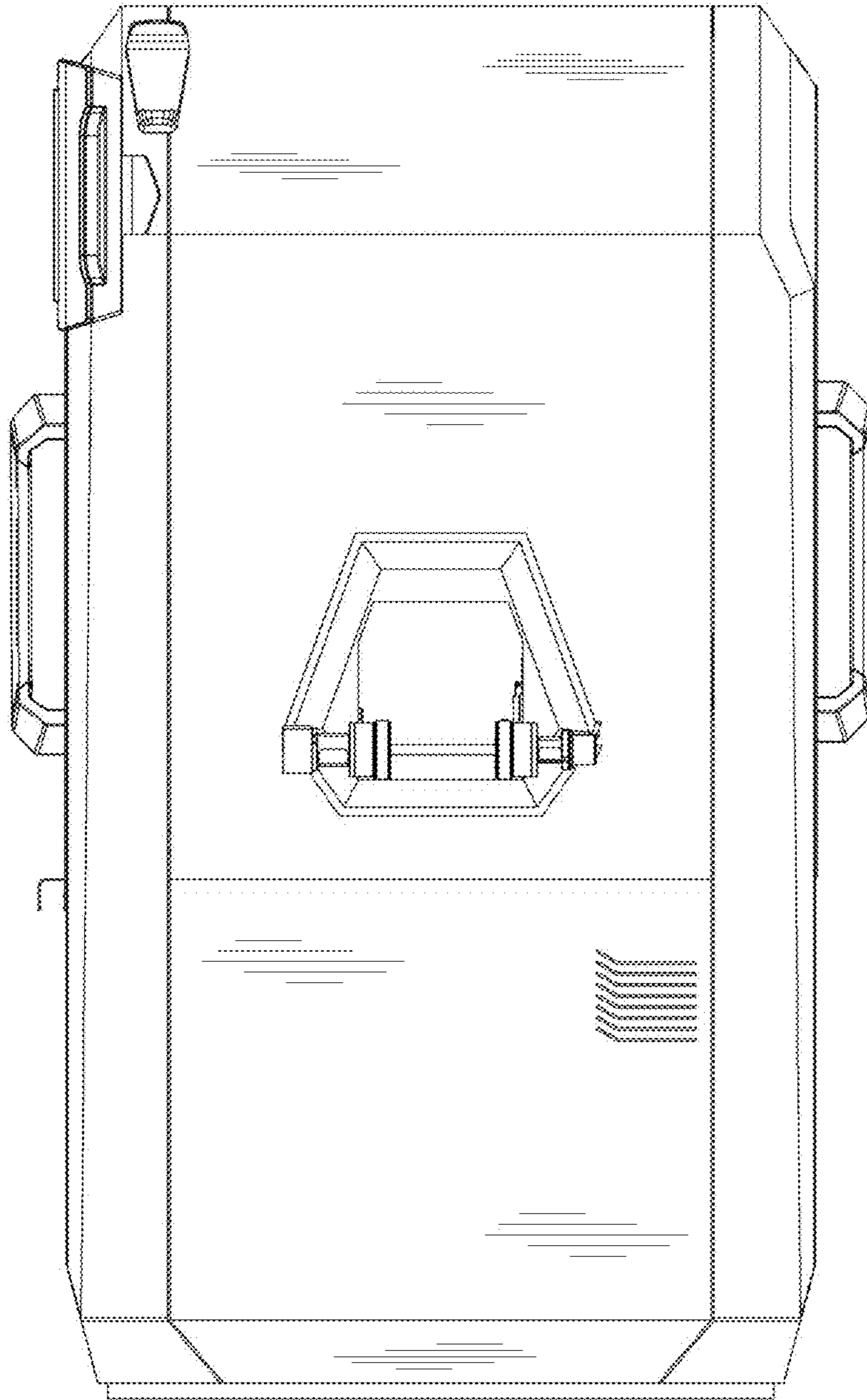


FIG. 5

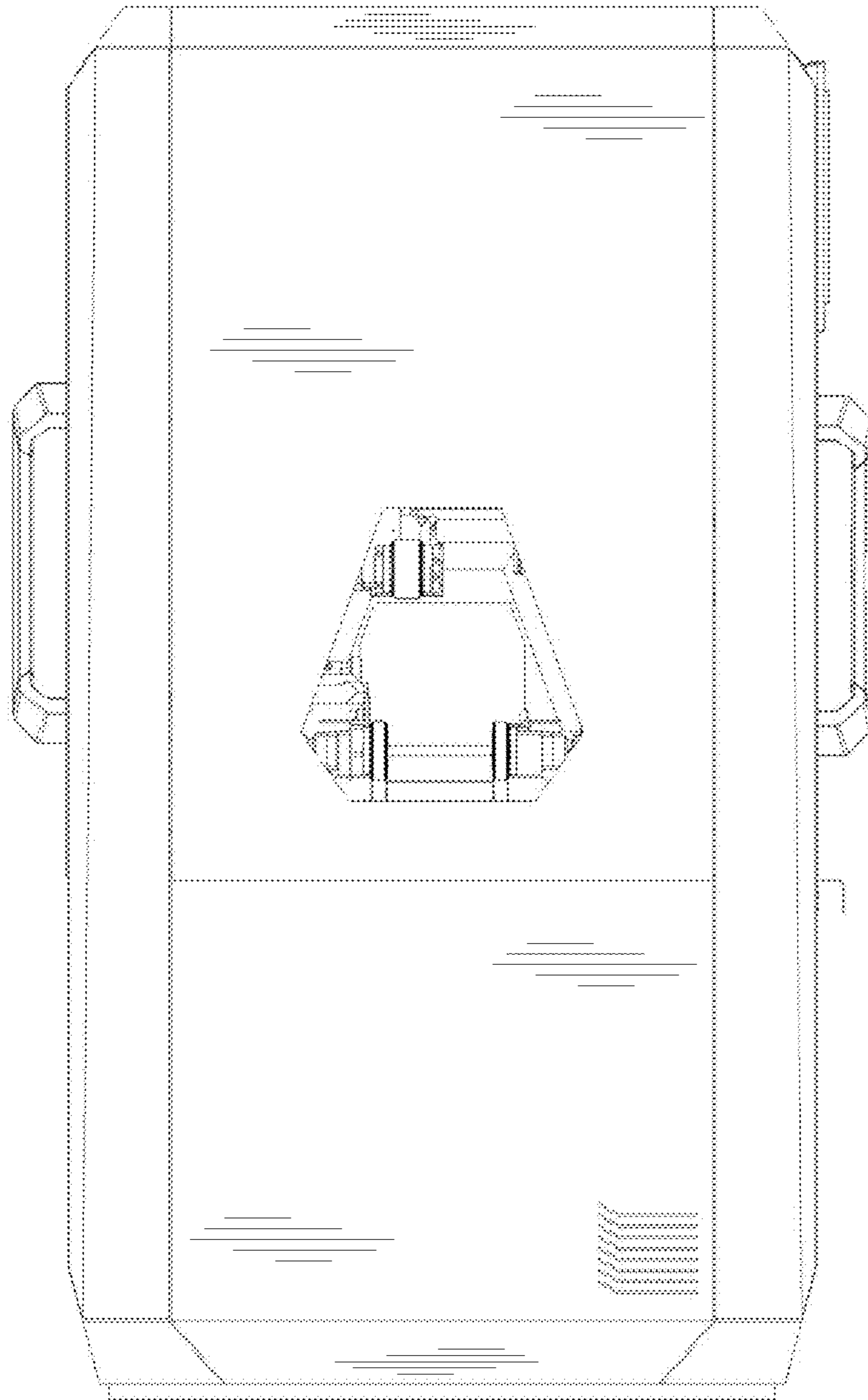


FIG. 6

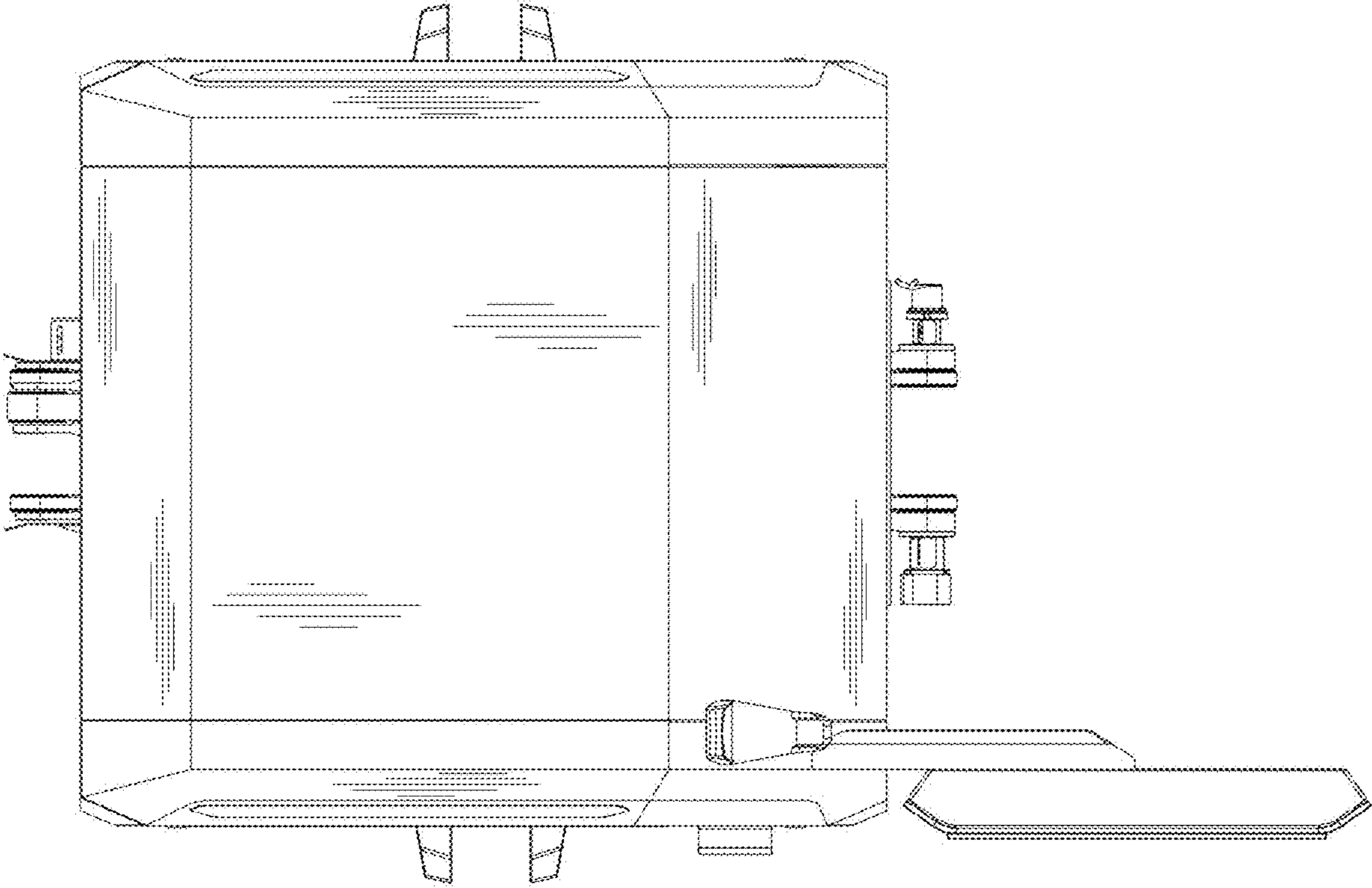


FIG. 7

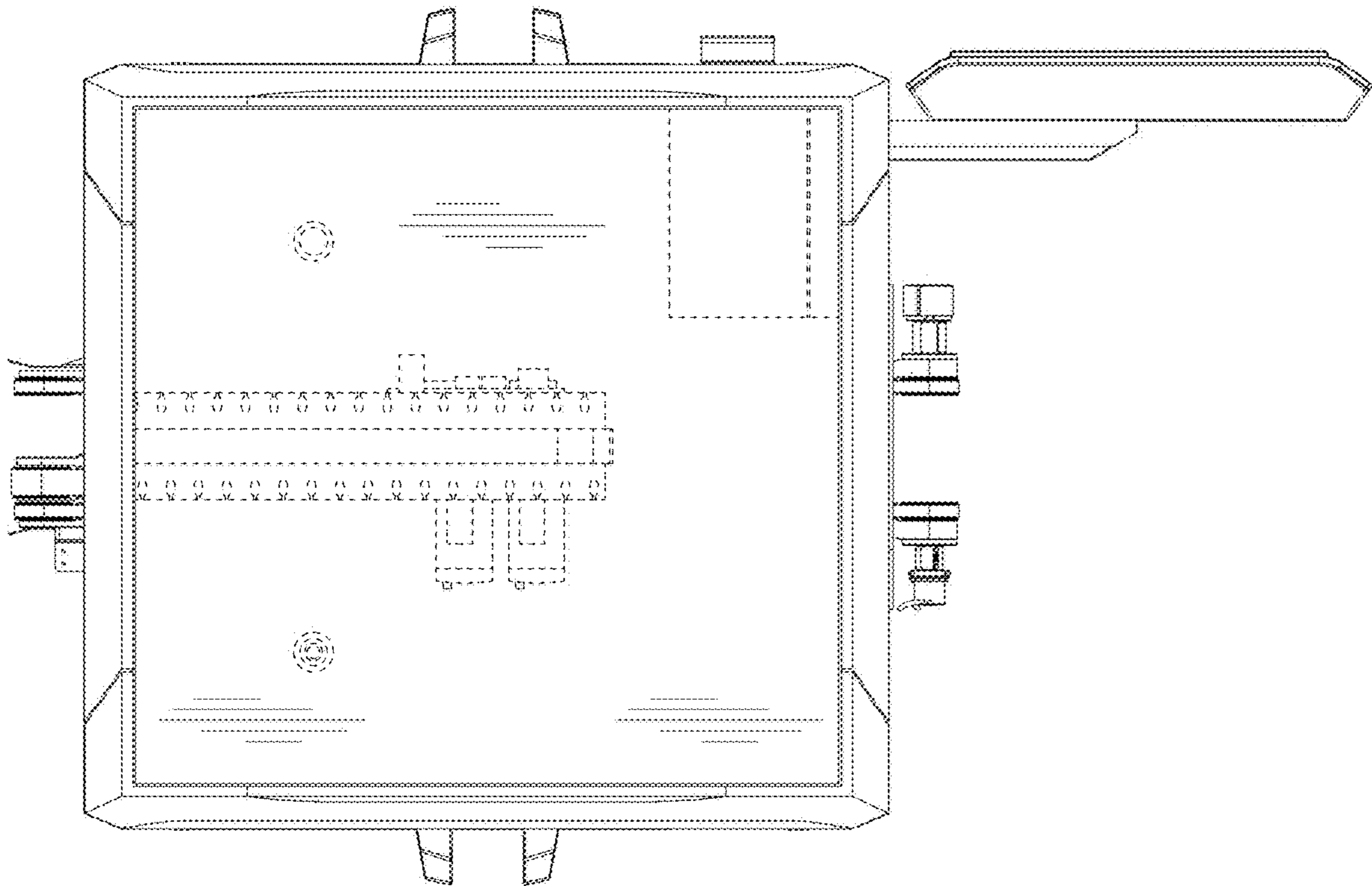


FIG. 8