

US00D967249S

(12) **United States Design Patent**
Odajima et al.

(10) **Patent No.:** **US D967,249 S**
(45) **Date of Patent:** **** Oct. 18, 2022**

(54) **COMBINATION COPIER, SCANNER,
PRINTER**

FOREIGN PATENT DOCUMENTS

(71) Applicant: **FUJIFILM Corporation**, Tokyo (JP)

JP	1432709	1/2012
JP	1634060	6/2019
KR	300971561.0000	* 8/2018

(72) Inventors: **Ema Odajima**, Tokyo (JP); **Tsutomu Shiihara**, Tokyo (JP)

OTHER PUBLICATIONS

(73) Assignee: **FUJIFILM CORPORATION**, Tokyo (JP)

2 Tray Workcentre 5024 Xerox Machine, p. 1, no date—indiamart.com—29760925—https://www.indiamart.com/proddetail/2-tray-workcentre-5024-xerox-machine-13849803462.html (Year: 2021).*

(**) Term: **15 Years**

Primary Examiner — Jennifer L Rempfer

(21) Appl. No.: **29/760,925**

Assistant Examiner — Danielle Nichole Bowly

(22) Filed: **Dec. 4, 2020**

(74) *Attorney, Agent, or Firm* — McGinn IP Law Group, PLLC

(51) **LOC (13) Cl.** **14-02**

(52) **U.S. Cl.**
USPC **D18/50**

(57) **CLAIM**

(58) **Field of Classification Search**
USPC D18/4.1, 4.4, 4.6, 37, 38, 39, 50, 53, 54,
D18/55, 59; D14/300, 301, 302, 307,
D14/308, 314, 321, 365, 445, 446;
D6/514, 672, 681.2, 691.9
CPC ... H04H 2201/0094; H04H 2201/0081; H04N
1/00278
See application file for complete search history.

The ornamental design for combination copier, scanner, printer, as shown and described.

DESCRIPTION

(56) **References Cited**

U.S. PATENT DOCUMENTS

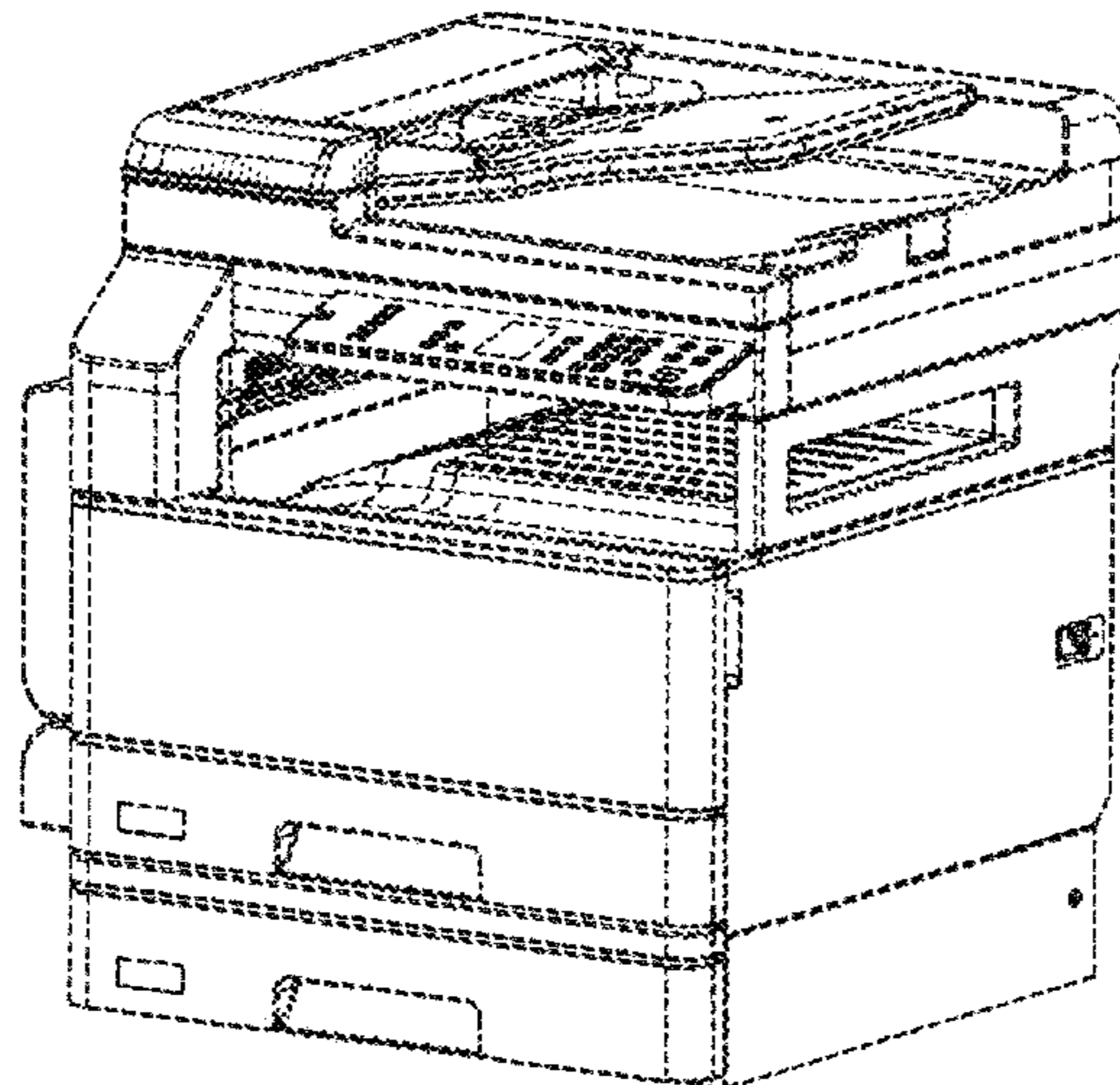
D697,550 S *	1/2014	Nanno	D18/50
D701,563 S *	3/2014	Kim	D18/53
D727,415 S *	4/2015	Takeda	D18/53
D794,707 S *	8/2017	Nanno	D18/50
D807,426 S *	1/2018	Brown	D18/50
D818,528 S *	5/2018	Tashima	D18/50
D819,124 S *	5/2018	Brown	D18/55
D820,907 S *	6/2018	Brown	D18/53
D821,488 S *	6/2018	Brown	D18/41
D821,489 S *	6/2018	Brown	D18/41
D821,490 S *	6/2018	Mita	D18/55
D822,103 S *	7/2018	Mita	D18/55
D826,321 S *	8/2018	Kim	D18/53
D832,343 S *	10/2018	Kim	D18/53

FIG. 1 is a perspective view of a combination copier, scanner, printer showing our new design;
FIG. 2 is a front view of the combination copier, scanner, printer;
FIG. 3 is a rear view of the combination copier, scanner, printer;
FIG. 4 is a right view of the combination copier, scanner, printer;
FIG. 5 is a left view of the combination copier, scanner, printer;
FIG. 6 is a plan view of the combination copier, scanner, printer; and,
FIG. 7 is a bottom view of the combination copier, scanner, printer.

The broken lines show portions of the design that form no part of the claim.

(Continued)

1 Claim, 7 Drawing Sheets



(56)

References Cited

U.S. PATENT DOCUMENTS

D837,292	S *	1/2019	Li	D18/50
D841,731	S *	2/2019	Brown	D18/47
D857,793	S *	8/2019	Brown	D18/56
D868,884	S *	12/2019	Inada	D18/55
D893,603	S *	8/2020	Pangburn	D18/55
D907,701	S *	1/2021	Hayashi	D18/50
11,122,173	B2 *	9/2021	An	H04N 1/00559
2015/0281484	A1 *	10/2015	Hozono	H04N 1/00551
					358/471
2018/0101114	A1 *	4/2018	Takeuchi	G03G 21/1633
2019/0268485	A1 *	8/2019	Sakashita	G06K 9/00771
2020/0092436	A1 *	3/2020	Lagumbay	H04N 1/444
2020/0145556	A1 *	5/2020	Yoshimura	H04N 1/0048

* cited by examiner

FIG. 1

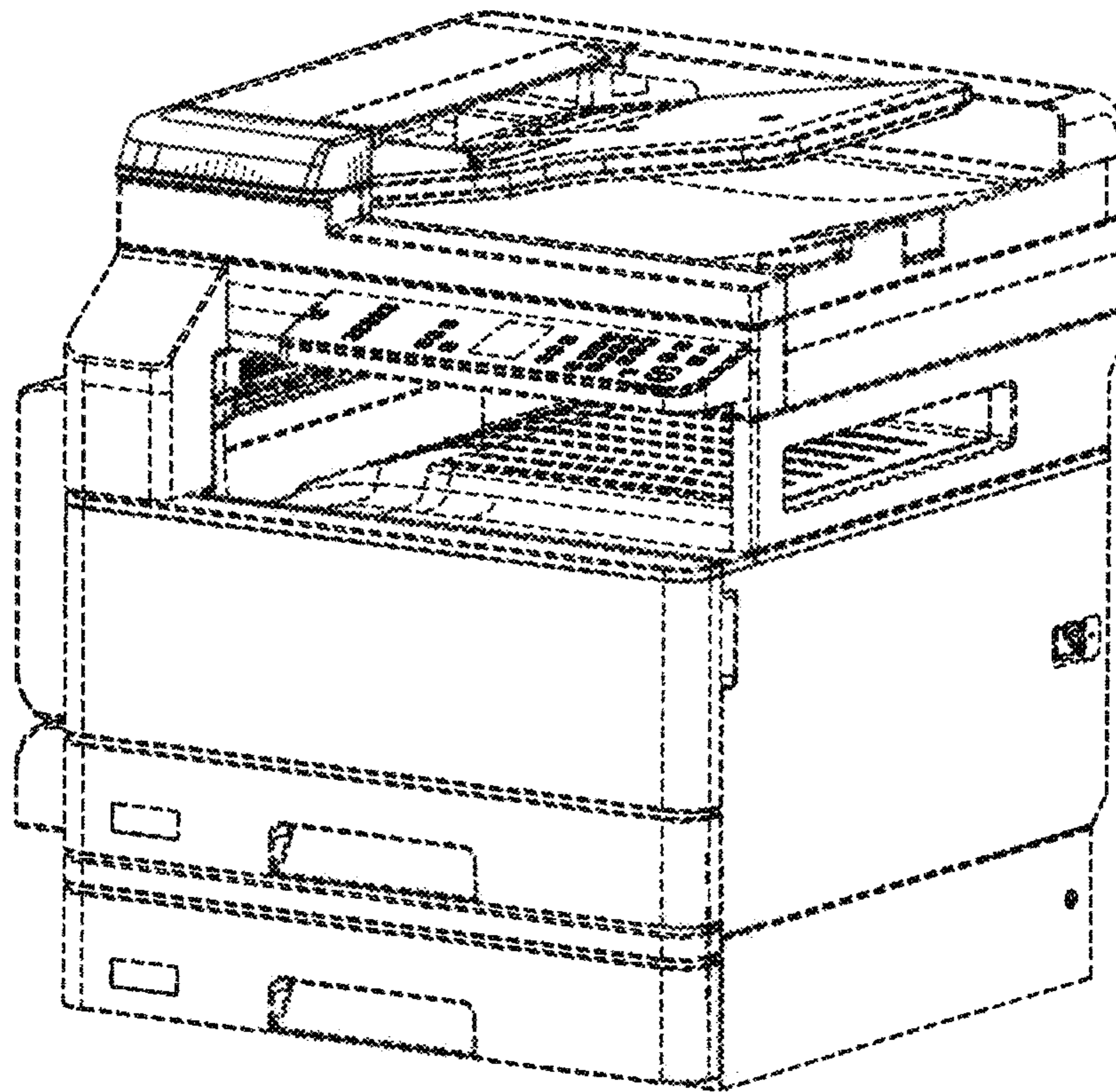


FIG. 2

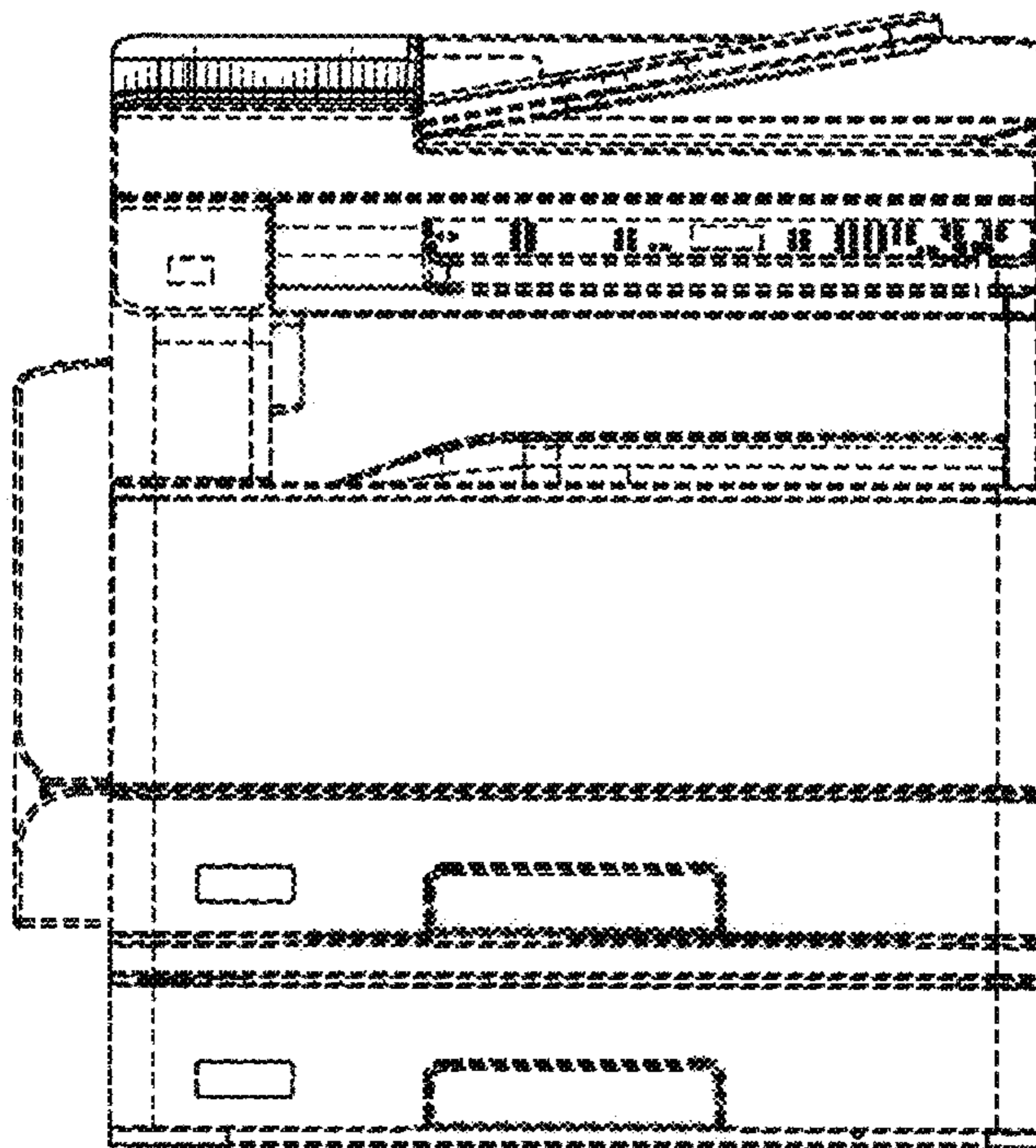


FIG. 3

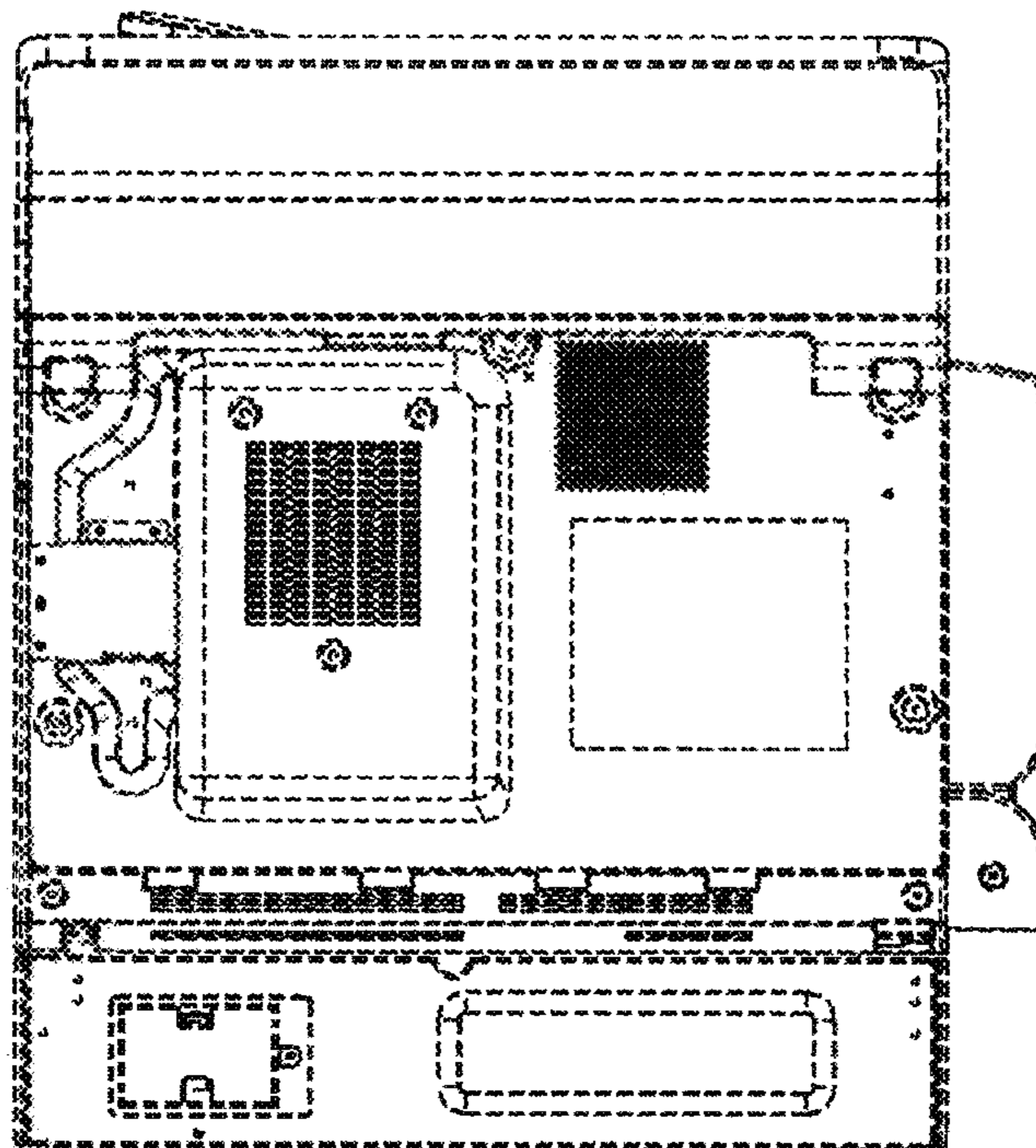


FIG. 4

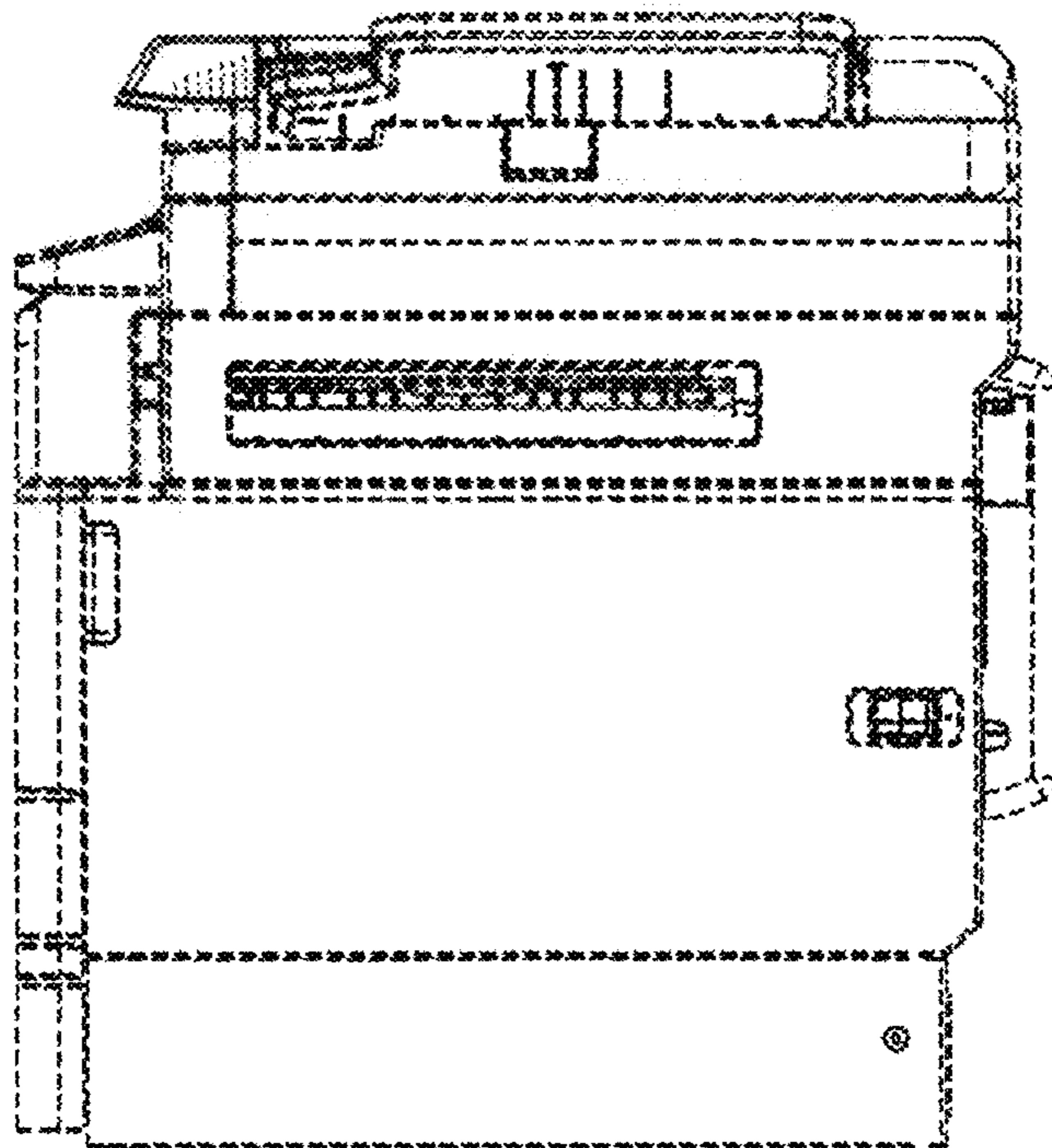


FIG. 5

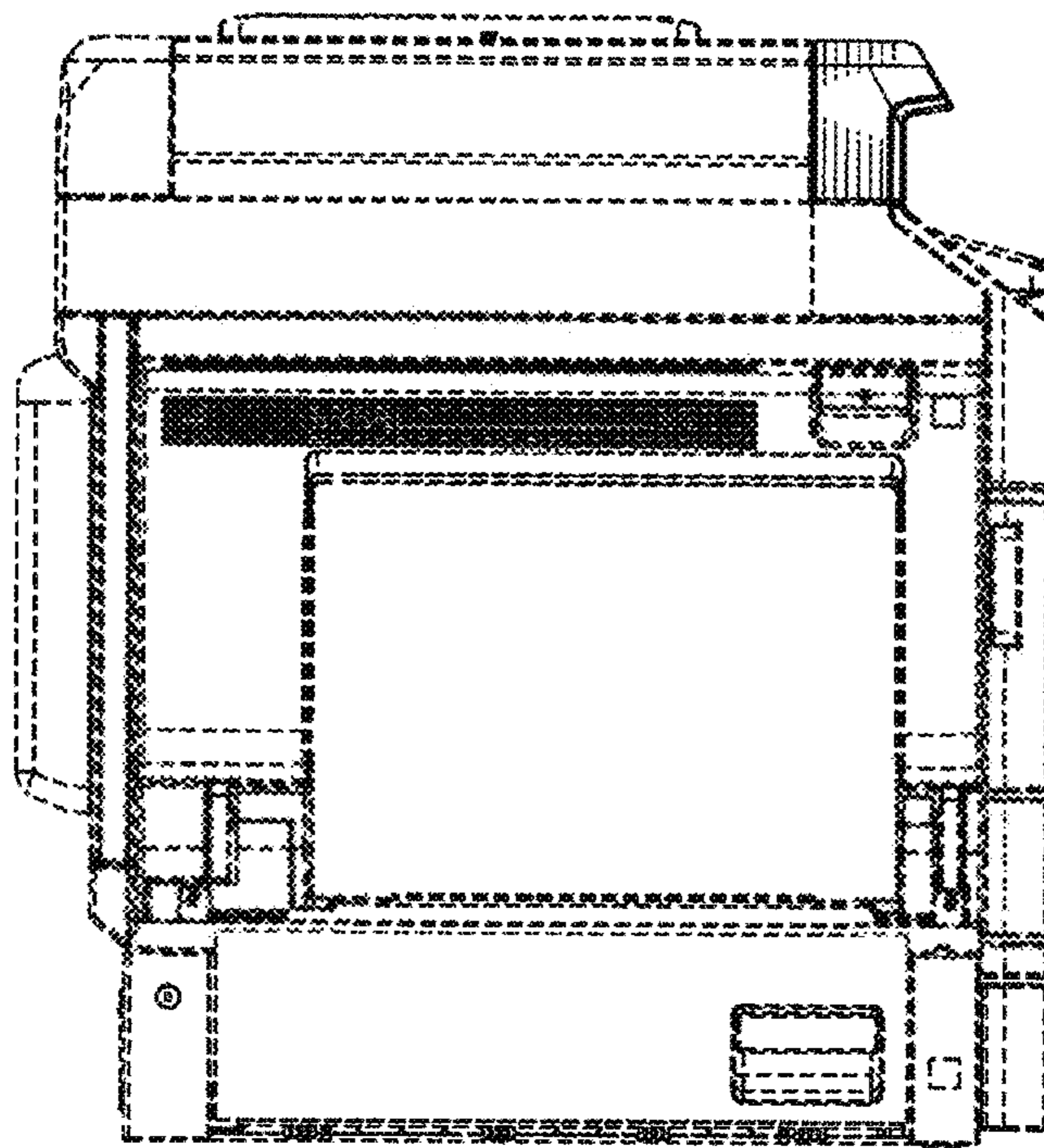


FIG. 6

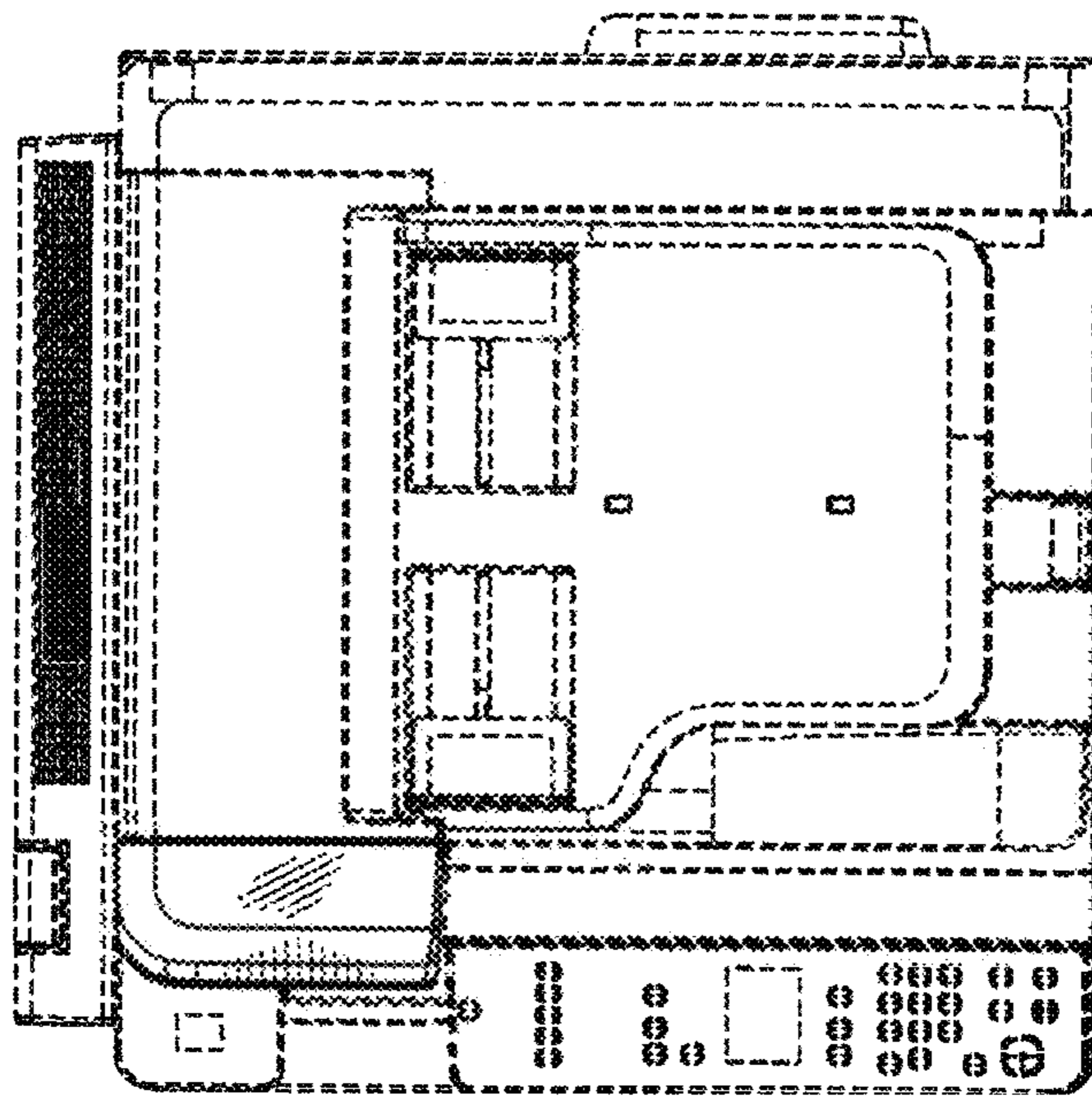


FIG. 7

