

US00D967245S

(12) **United States Design Patent** (10) **Patent No.:** **US D967,245 S**  
**Thorne** (45) **Date of Patent:** **\*\* Oct. 18, 2022**

(54) **MOUNT FOR CAMERA OR LIGHT**  
(71) Applicant: **SimpliSafe, Inc.**, Boston, MA (US)  
(72) Inventor: **Scott Joseph Thorne**, Allston, MA (US)  
(73) Assignee: **SimpliSafe, Inc.**, Boston, MA (US)  
(\*\*) Term: **15 Years**

D918,988 S \* 5/2021 Au ..... D16/237  
D931,360 S \* 9/2021 Huang ..... D16/237  
D933,772 S \* 10/2021 Sroufe ..... D22/104  
D954,039 S \* 6/2022 Liu ..... D14/253  
D954,786 S \* 6/2022 Purdy ..... D16/242  
D958,231 S \* 7/2022 Burns ..... D16/242  
2012/0281976 A1 \* 11/2012 Vogt ..... F16M 11/043  
396/428  
2016/0353867 A1 \* 12/2016 Due ..... A45F 5/10  
2022/0146040 A1 \* 5/2022 Feng ..... F16M 13/022

(21) Appl. No.: **29/785,507**  
(22) Filed: **May 26, 2021**  
(51) **LOC (13) Cl.** ..... **16-05**  
(52) **U.S. Cl.**  
USPC ..... **D16/245**; D16/242  
(58) **Field of Classification Search**  
USPC ..... D16/237, 219, 239-245, 214, 203, 200,  
D16/201, 204, 209  
CPC ..... F16M 11/08; F16M 11/12; G03B 17/561;  
G03B 17/563; G08B 13/1963  
See application file for complete search history.

**OTHER PUBLICATIONS**

“Simplisafe Outdoor Camera Permanent Mount,” date not available, as retrieved on Aug. 15, 2022 from <https://www.bestbuy.com/site/simplisafe-outdoor-camera-permanent-mount-black/6475660.p?skuId=6475660> (Year: 2022).\*

\* cited by examiner

*Primary Examiner* — Maria J. Edwards  
*Assistant Examiner* — Dina Michelle Hoeynck  
(74) *Attorney, Agent, or Firm* — Wolf, Greenfield & Sacks, P.C.

(56) **References Cited**

**U.S. PATENT DOCUMENTS**

D536,614 S \* 2/2007 Peterson ..... D9/454  
D594,735 S \* 6/2009 Hofer ..... D8/349  
D678,386 S \* 3/2013 Huguley ..... D16/242  
D704,245 S \* 5/2014 Kim ..... D16/237  
D715,790 S \* 10/2014 Conomos ..... D8/355  
D810,089 S \* 2/2018 Kuo ..... D14/440  
D818,517 S \* 5/2018 Szarawarski ..... D8/356  
D826,398 S \* 8/2018 Eaton ..... D16/242  
D853,464 S \* 7/2019 Moon ..... D16/203  
D873,895 S \* 1/2020 Costa ..... D16/237  
D875,168 S \* 2/2020 Kyte ..... D16/242  
D888,138 S \* 6/2020 Rao ..... D16/242  
D902,985 S \* 11/2020 Cleveland ..... D16/242  
D905,786 S \* 12/2020 Vitale ..... D16/242  
D907,627 S \* 1/2021 Li ..... D14/253  
D908,275 S \* 1/2021 Galli ..... D26/138  
D909,853 S \* 2/2021 Jasmin ..... D8/354

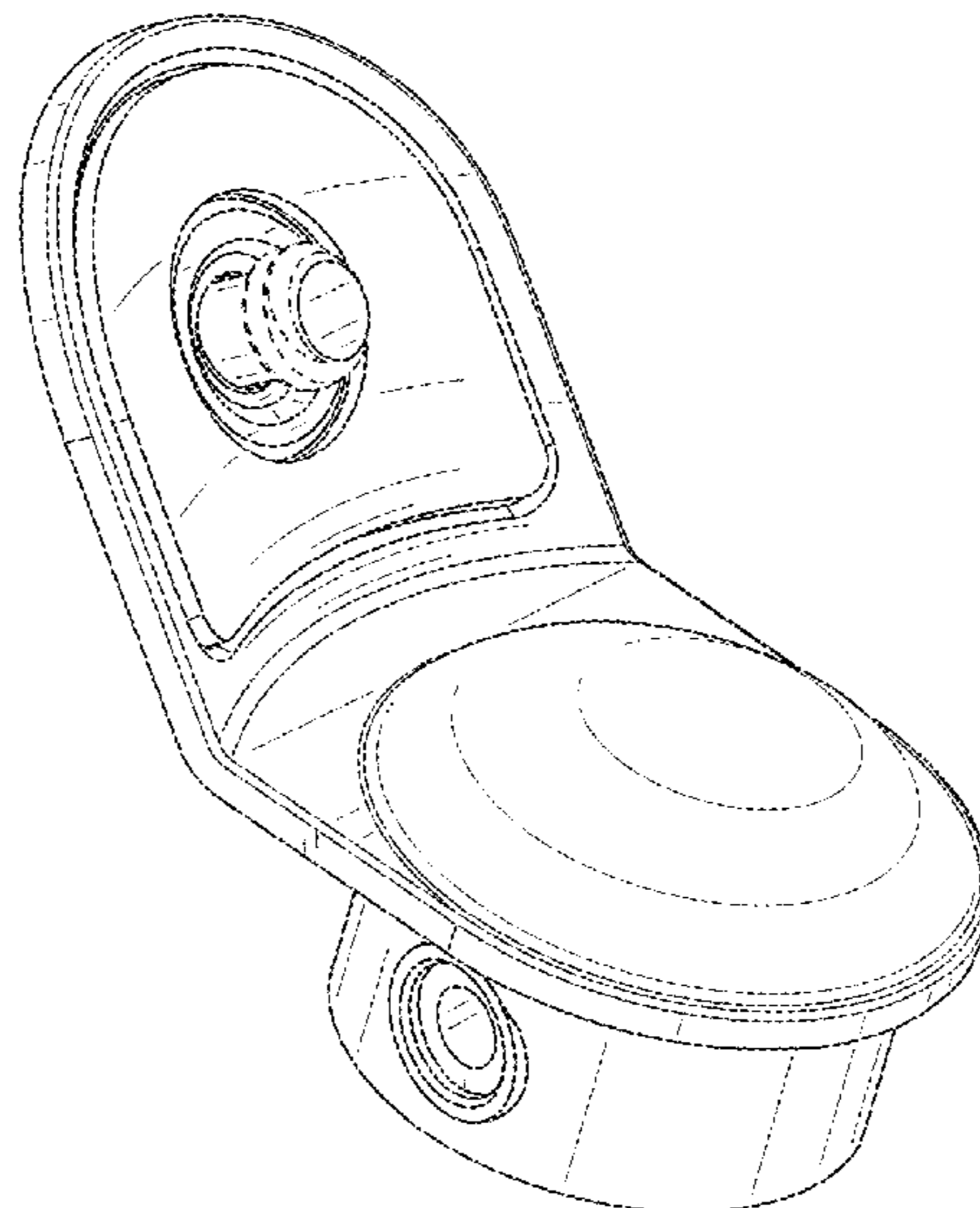
(57) **CLAIM**

The ornamental design for mount for camera or light, as shown and described.

**DESCRIPTION**

FIG. 1 is an upper, front, left perspective view of the mount for camera or light;  
FIG. 2 is a lower, rear, left perspective view thereof;  
FIG. 3 is a front view thereof;  
FIG. 4 is a rear view thereof;  
FIG. 5 is a left side view thereof;  
FIG. 6 is a right side view thereof;  
FIG. 7 is a top view thereof; and,  
FIG. 8 is a bottom view thereof.  
The broken lines in the drawings depict portions of the article that form no part of the claimed design.

**1 Claim, 5 Drawing Sheets**



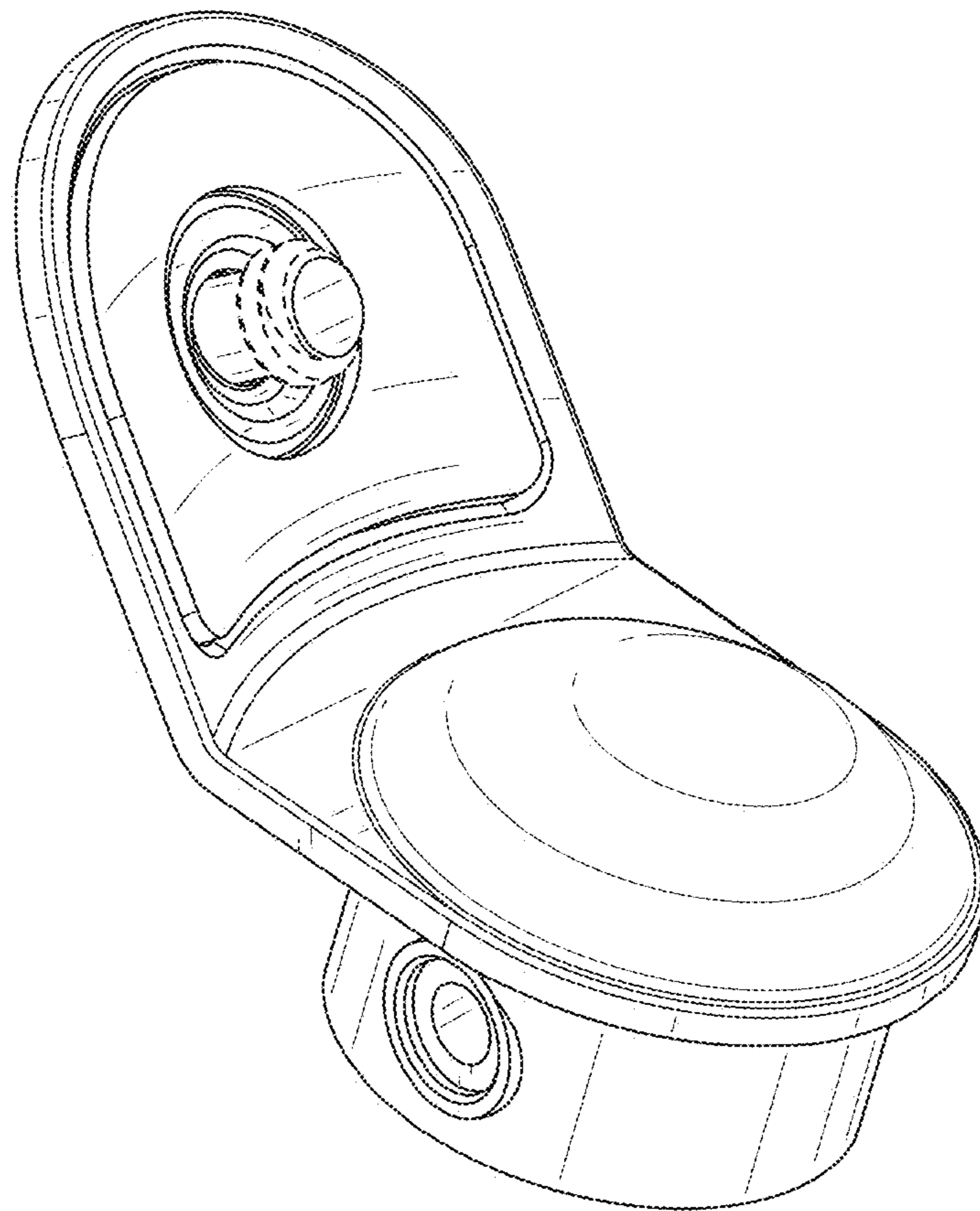


FIG. 1

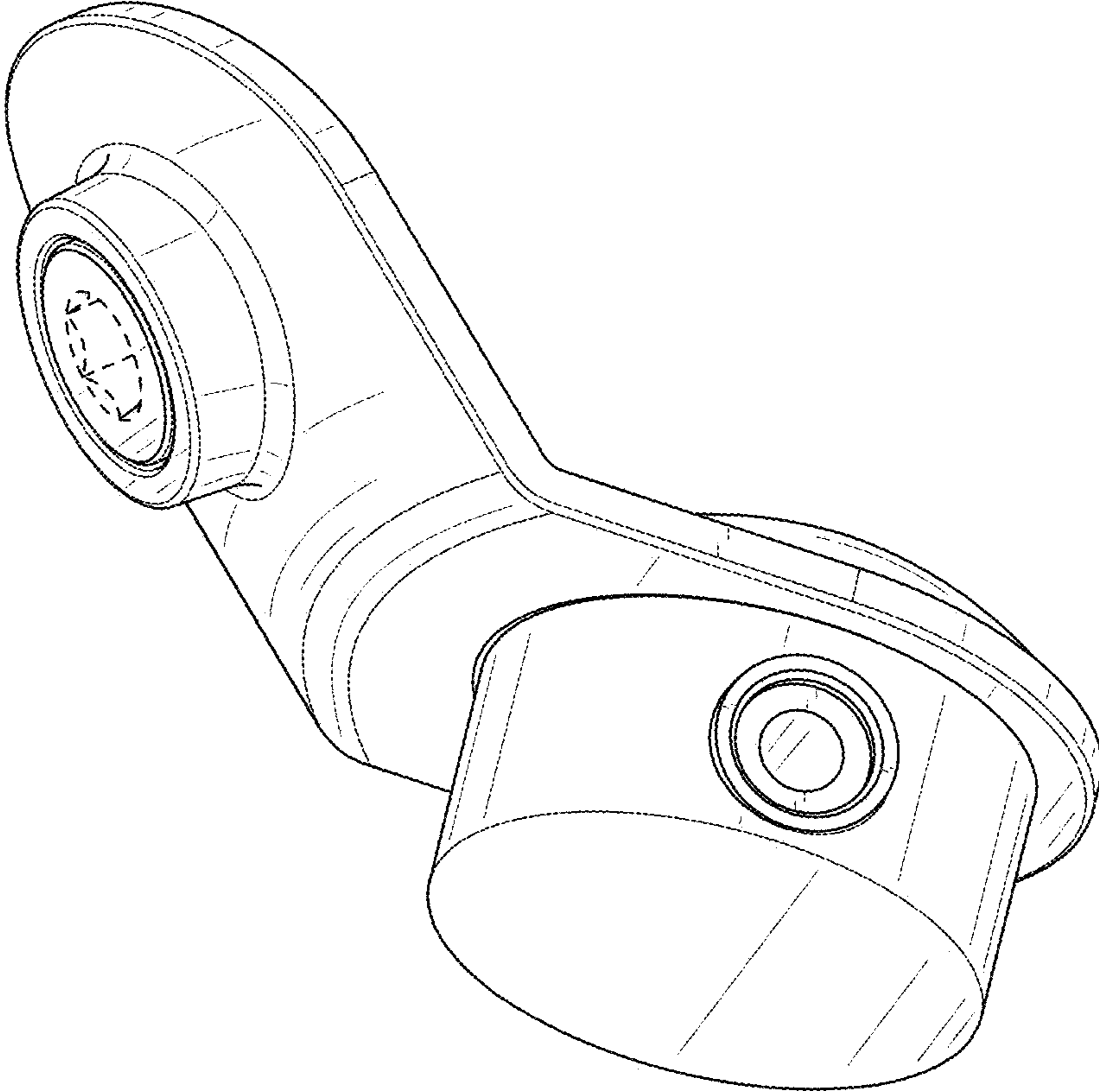


FIG. 2

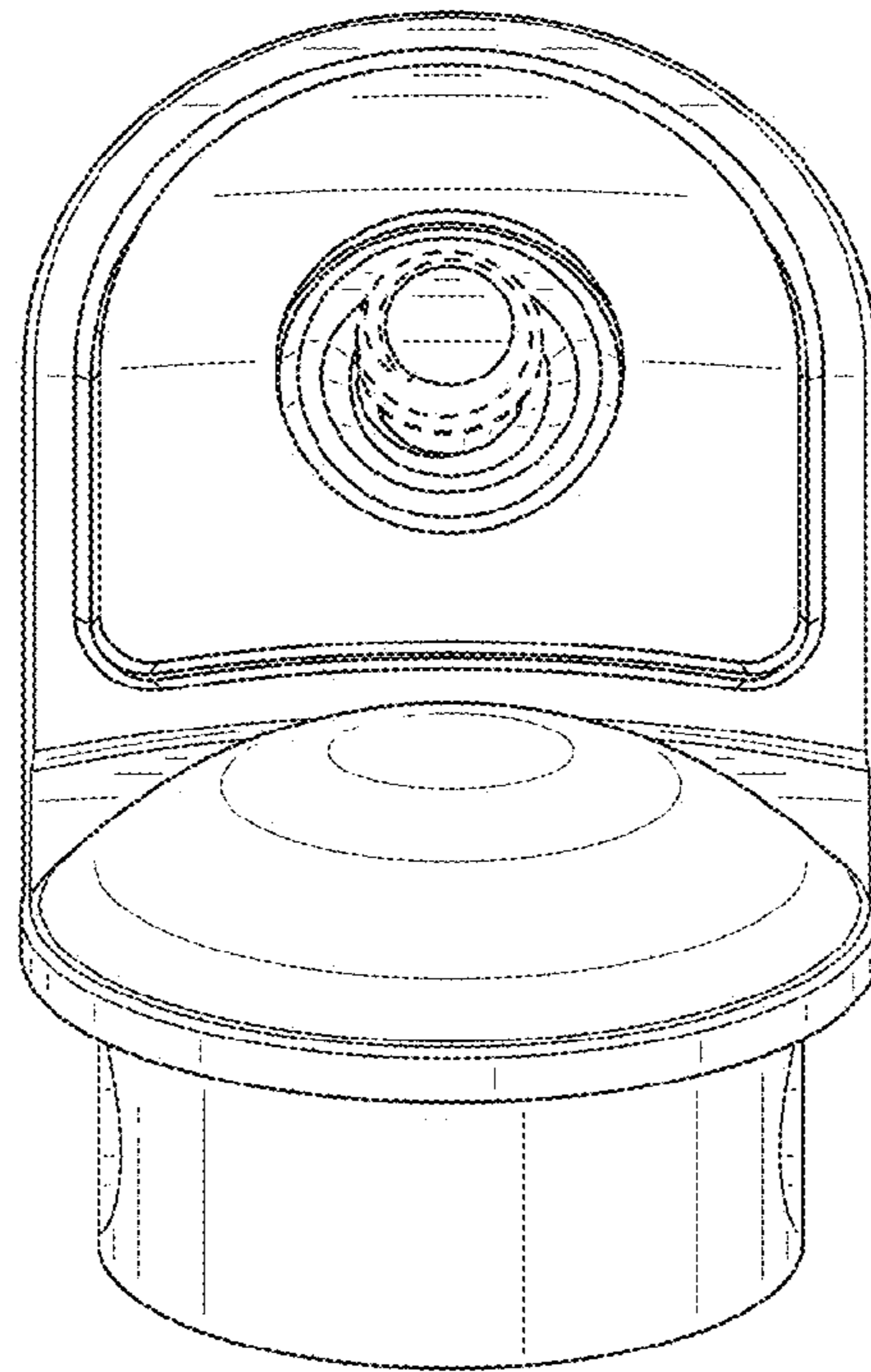


FIG. 3

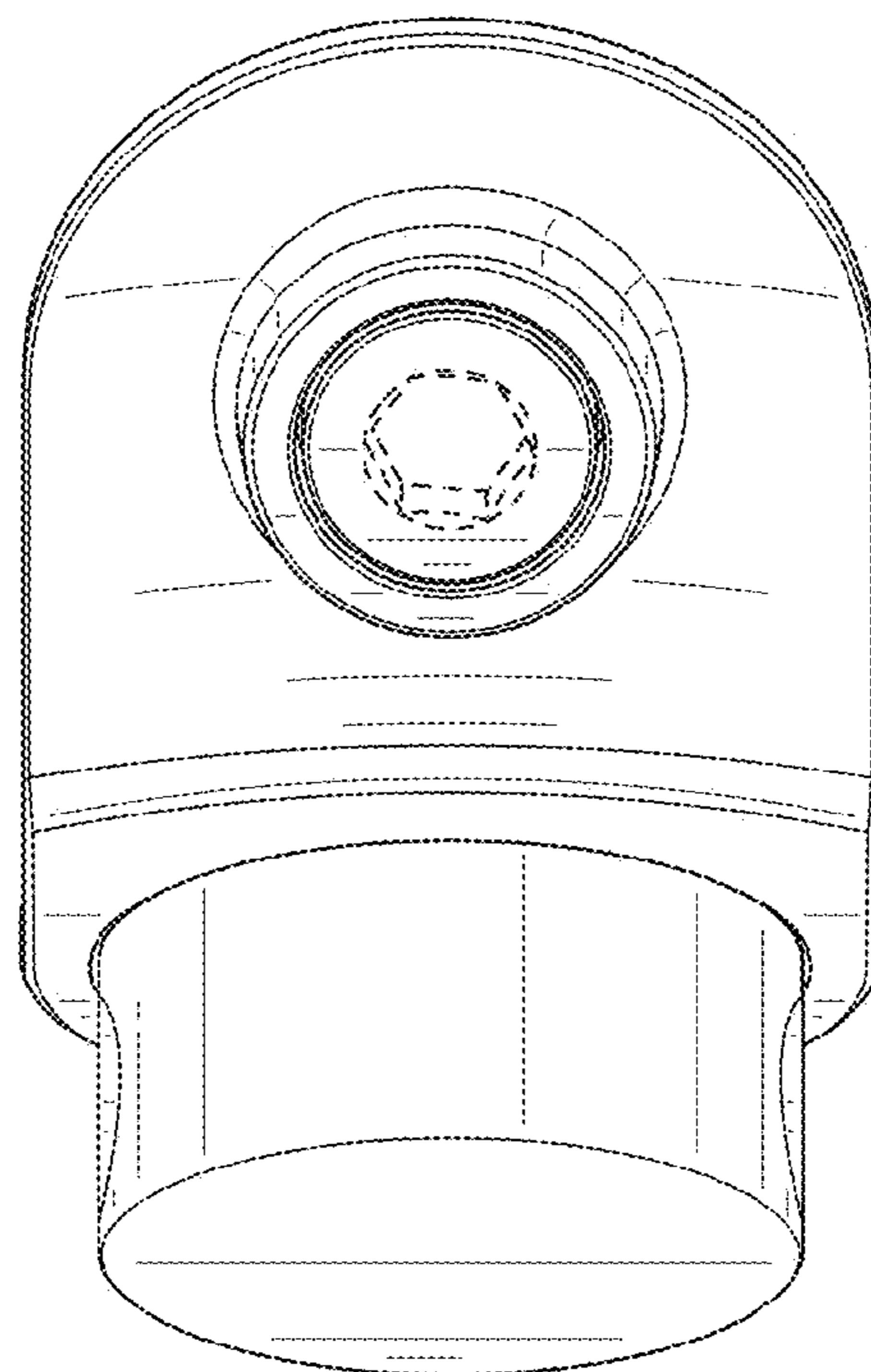


FIG. 4

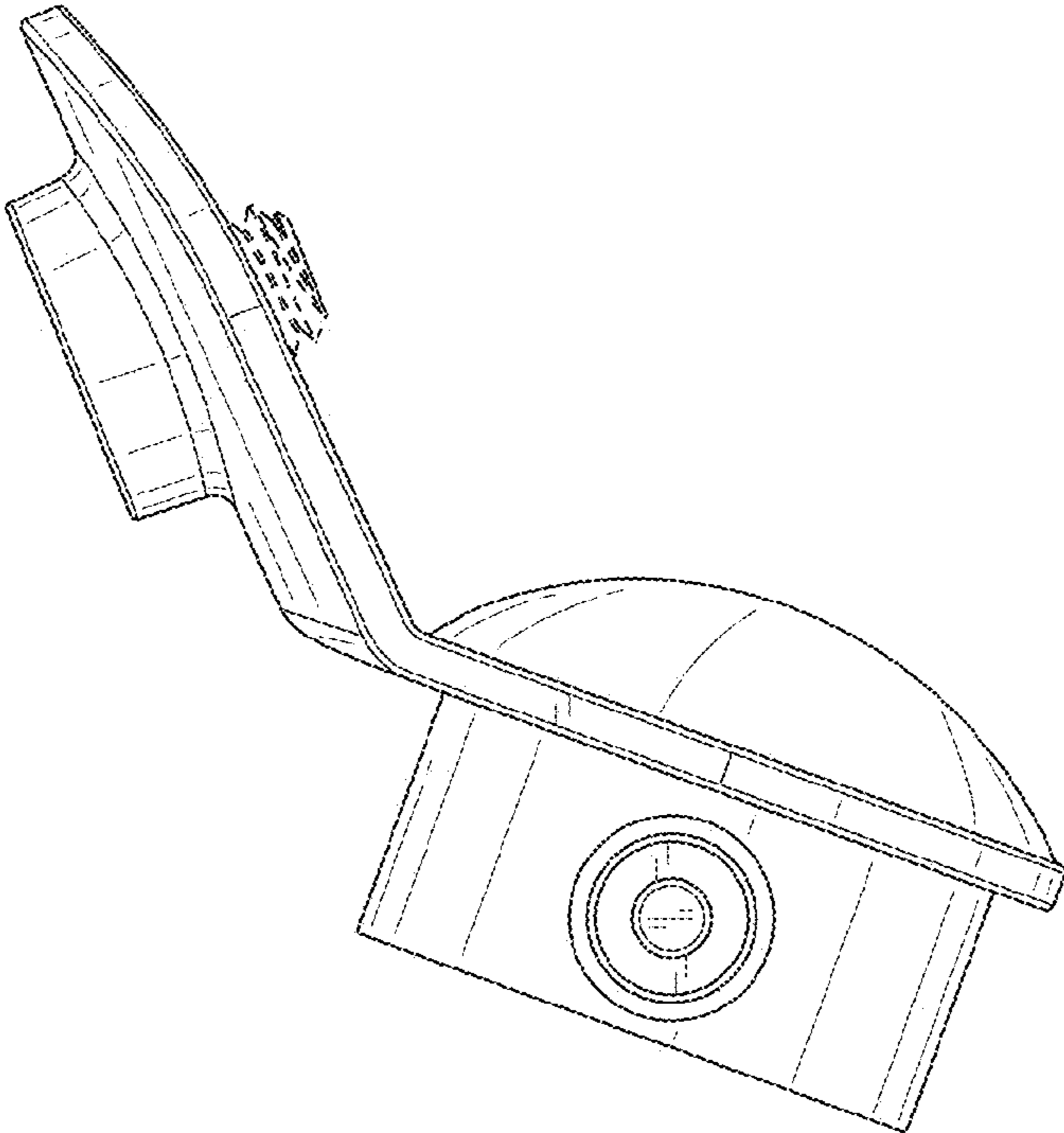


FIG. 5

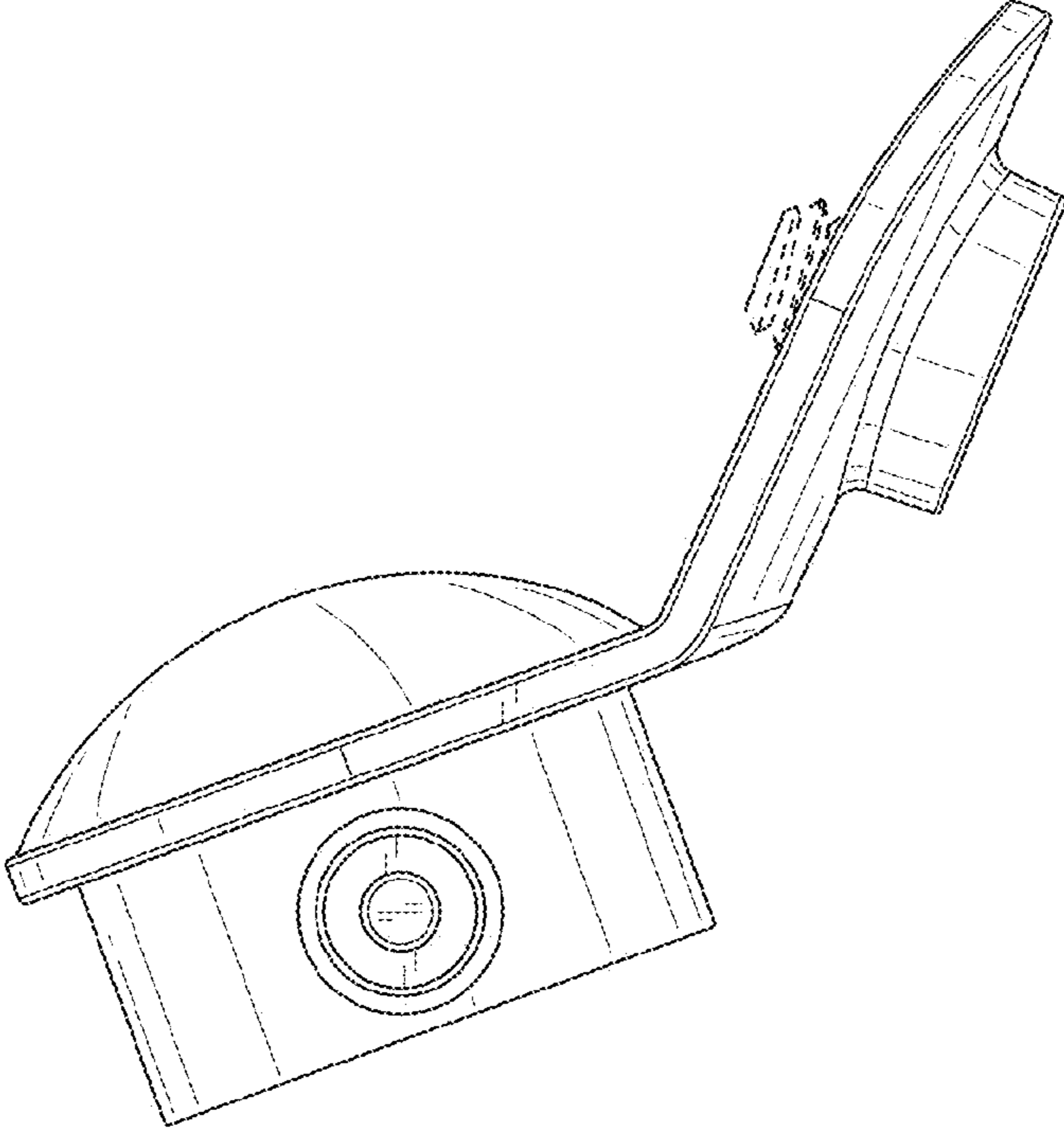


FIG. 6

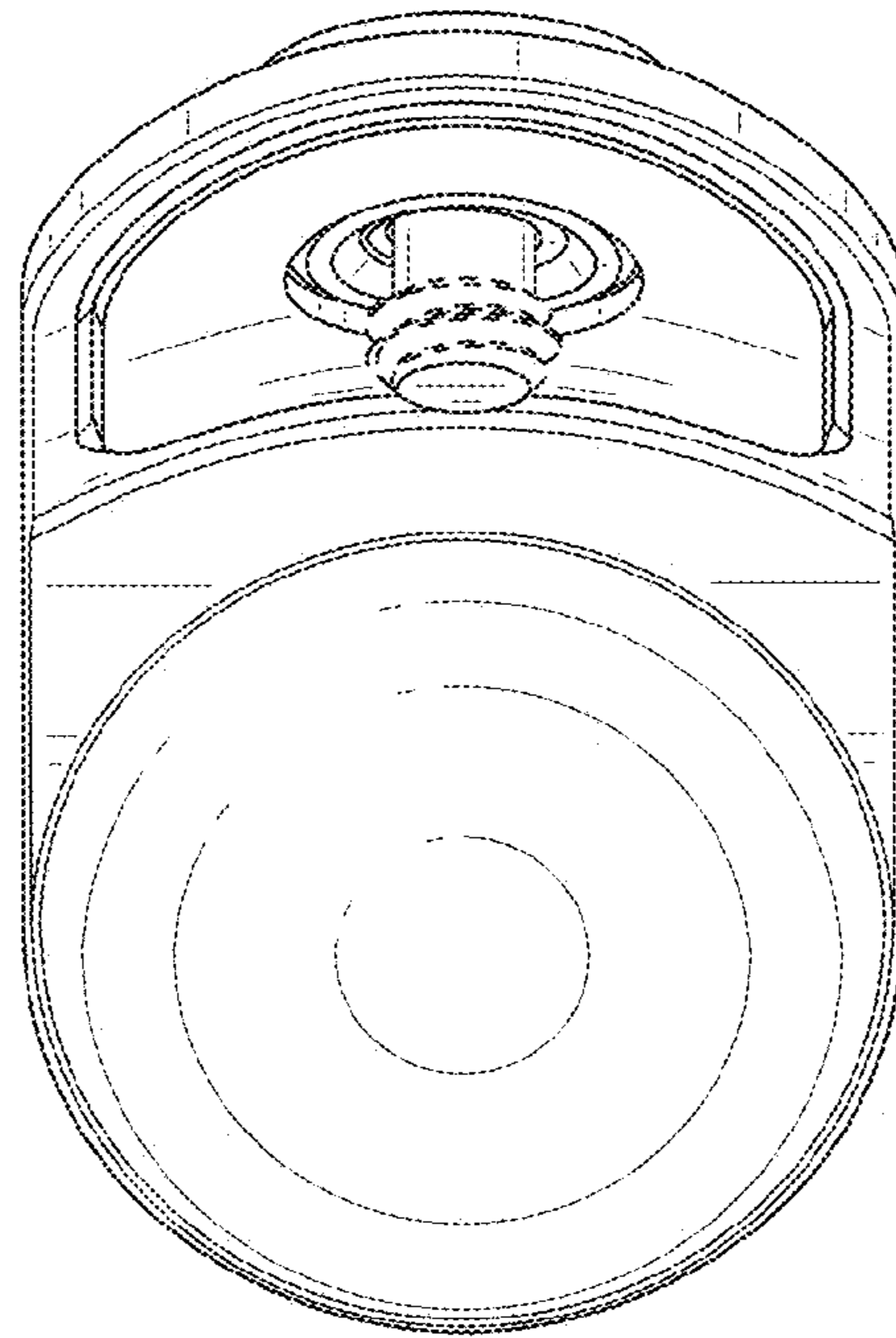


FIG. 7

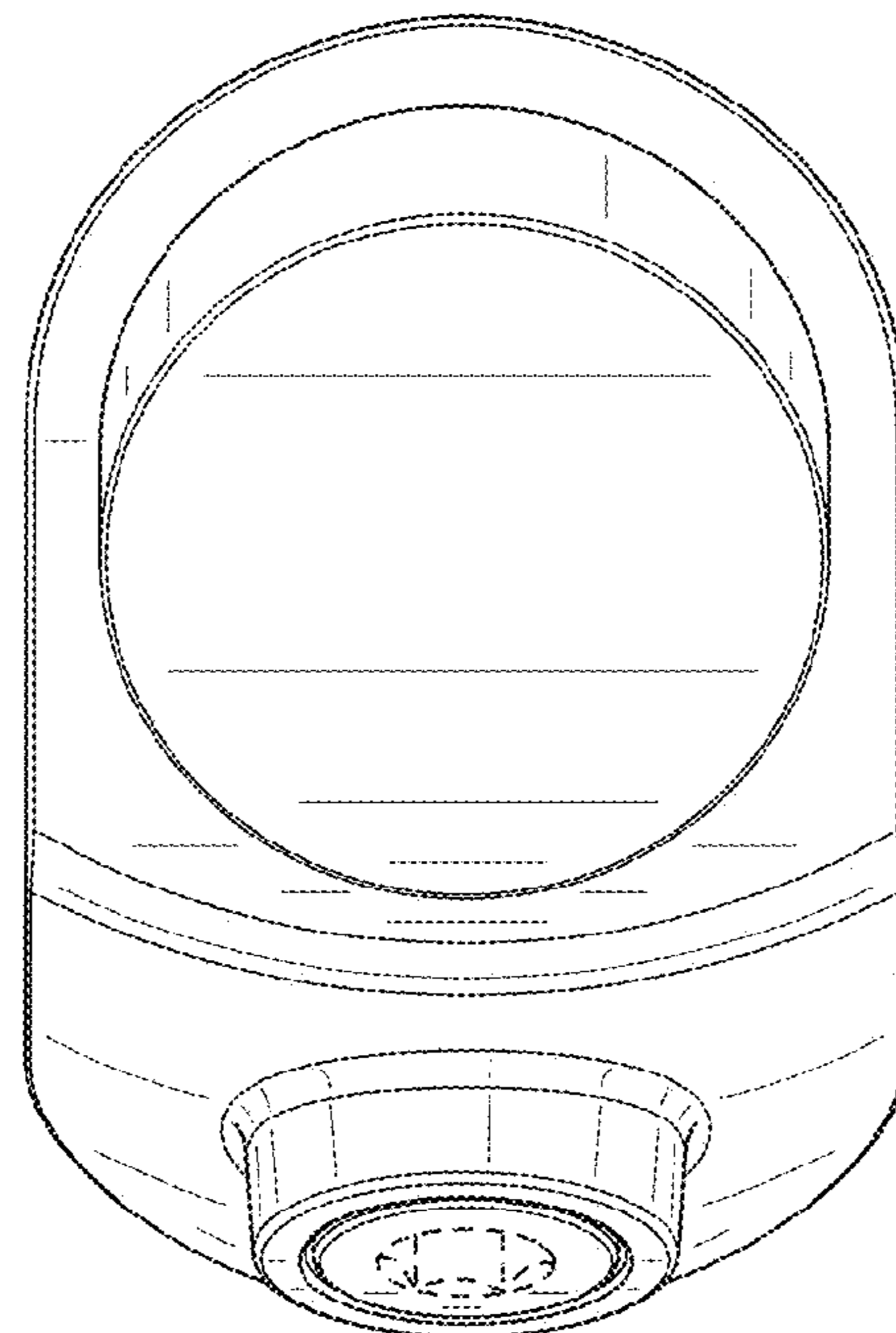


FIG. 8