



US00D967244S

(12) **United States Design Patent**
Matthews et al.

(10) **Patent No.:** **US D967,244 S**
(45) **Date of Patent:** **** Oct. 18, 2022**

(54) **BIPOD/TRIPOD MOUNTING PLATE FOR VIDEO/PHOTOGRAPHY EQUIPMENT**

(71) Applicant: **The F.J. Westcott Company**, Maumee, OH (US)

(72) Inventors: **Christian Bradley Matthews**, Holly Springs, NC (US); **Brandon Maxwell Heiss**, Perrysburg, OH (US)

(73) Assignee: **The F.J. Westcott Company**, Maumee, OH (US)

(**) Term: **15 Years**

(21) Appl. No.: **29/757,186**

(22) Filed: **Nov. 4, 2020**

(51) **LOC (13) Cl.** **16-05**

(52) **U.S. Cl.**

USPC **D16/245**

(58) **Field of Classification Search**

USPC D16/136, 211, 214, 219, 235, 236, 237, D16/241, 242, 243, 245, 250, 334; D8/352, 353, 354, 381, 382, 387, 394; D14/217, 240, 432, 447, 451

CPC .. G03B 17/561; G03B 17/563; G03B 17/566; G03B 17/565; F16M 11/041; F16M 11/06; F16M 11/043; F16M 11/04; H04N 5/2254; G02B 7/00

See application file for complete search history.

(56) **References Cited**

U.S. PATENT DOCUMENTS

- 6,196,504 B1 * 3/2001 Lemke F16M 11/041 396/428
- 6,779,932 B2 * 8/2004 DeSorbo F16M 13/00 396/419
- 7,077,582 B2 * 7/2006 Johnson F16M 11/16 396/428
- D576,659 S * 9/2008 Bevirt D16/245
- D607,079 S * 12/2009 Moody D22/109

(Continued)

FOREIGN PATENT DOCUMENTS

- CN 305473204 * 12/2019
- CN 305485998 * 12/2019

(Continued)

OTHER PUBLICATIONS

Westcott M6 Multi-Mount Tripod Plate, product available Dec. 7, 2020 [online], no video/pictured review[online], [site visited Jun. 17, 2022]:URL:<https://www.amazon.com/gp/product/B08PT7W2SG/ref=sw_img_1?smid=A3FR7YOQDCCAIT&psc=1> (Year: 2020).*

(Continued)

Primary Examiner — Bao-Yen T Nguyen

Assistant Examiner — Loryn K. Leblanc

(74) *Attorney, Agent, or Firm* — Marshall & Melhorn, LLC

(57) **CLAIM**

The ornamental design for a bipod/tripod mounting plate for video/photography equipment, as shown and described.

DESCRIPTION

FIG. 1 is a top, perspective view of a bipod/tripod mounting plate for video/photography equipment showing our new design;

FIG. 2 is a bottom, perspective view thereof;

FIG. 3 is a front view thereof;

FIG. 4 is a back view thereof;

FIG. 5 is a top view thereof;

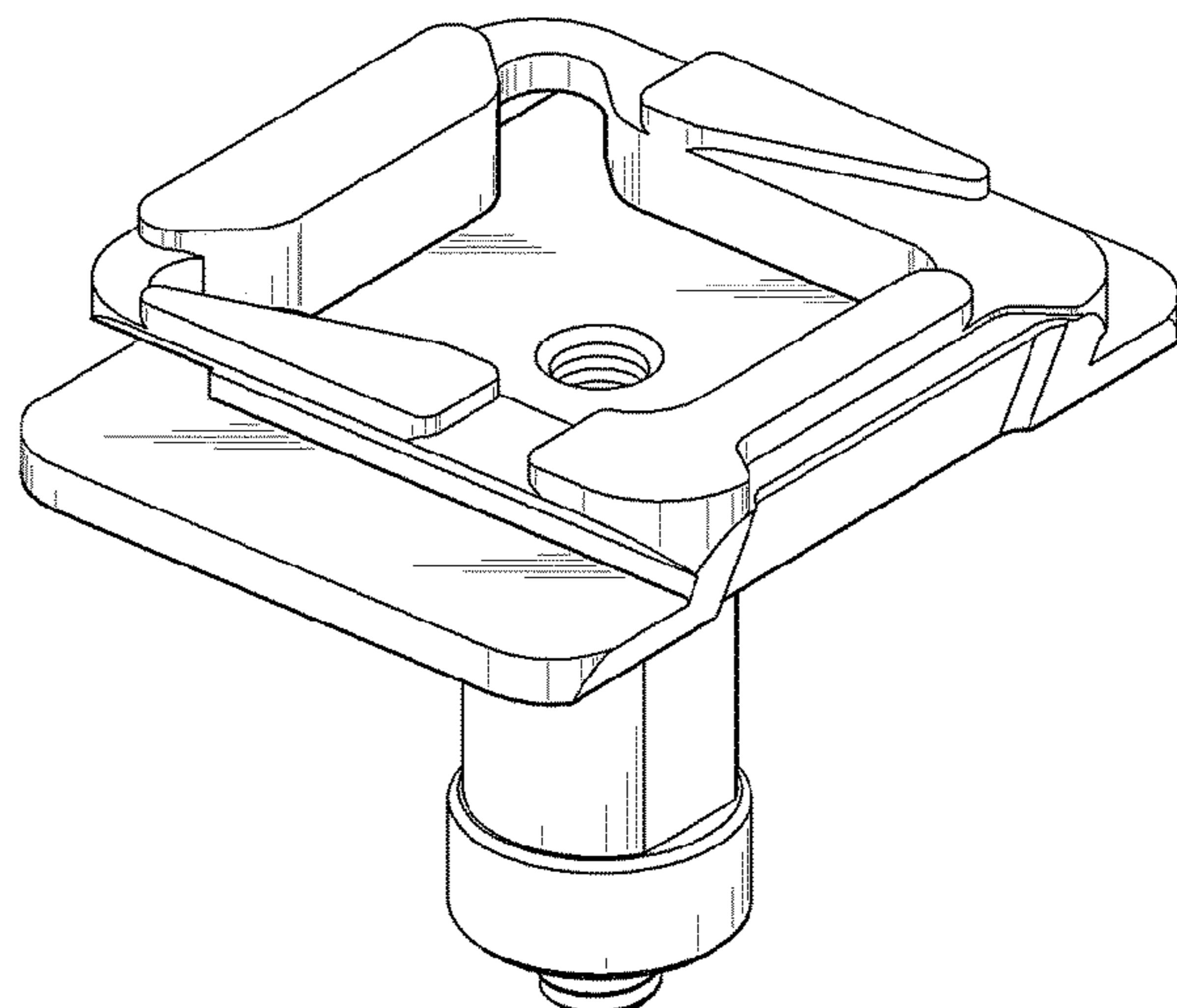
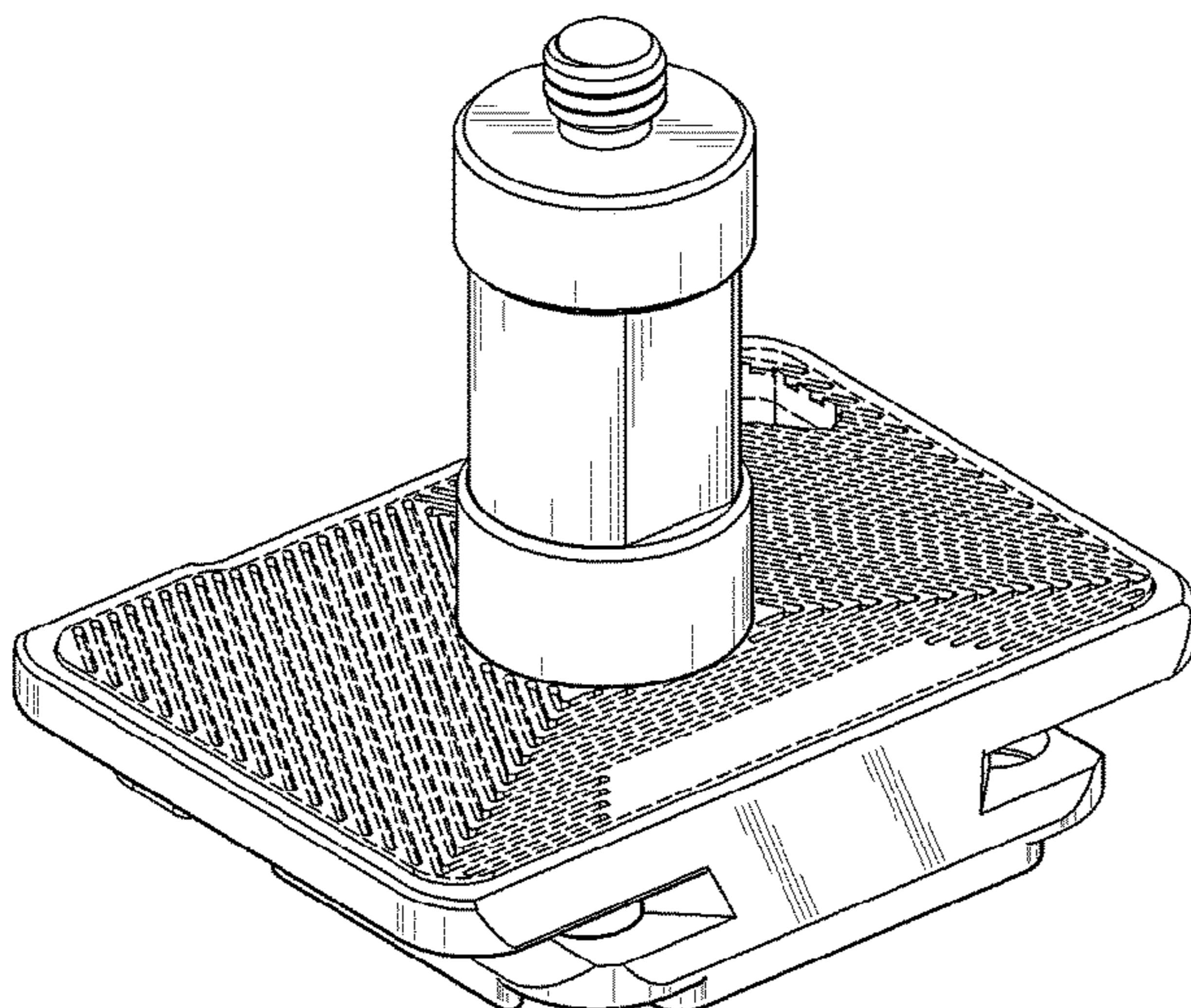
FIG. 6 is a bottom view thereof;

FIG. 7 is a first side view thereof; and,

FIG. 8 is a second side view thereof.

The broken lines in the drawings depict portions of the bipod/tripod mounting plate for video/photography equipment and form no part of the claimed design.

1 Claim, 3 Drawing Sheets



(56)

References Cited

U.S. PATENT DOCUMENTS

8,419,309 B2 * 4/2013 Wimberley F16M 11/14
248/181.2
8,821,044 B1 * 9/2014 Dordick F16M 11/041
248/689
9,081,256 B2 * 7/2015 Dering F16M 11/041
9,360,739 B2 * 6/2016 Fliger F16M 13/00
D772,971 S * 11/2016 Hojo D16/242
D776,747 S 1/2017 Lenihan
10,274,125 B2 * 4/2019 Johnson, Sr. G03B 17/561
D852,871 S * 7/2019 Wilson D16/242
10,782,596 B2 * 9/2020 Wilson F16M 11/08
D906,094 S * 12/2020 Horne D8/354
D910,108 S * 2/2021 Yuan D16/237
D930,733 S * 9/2021 Le Roux D16/242
2005/0029726 A1 * 2/2005 Glaser B25B 5/08
269/229
2006/0175482 A1 * 8/2006 Johnson F16M 11/14
248/176.1
2007/0152116 A1 * 7/2007 Madsen F16M 11/14
248/181.1
2018/0347744 A1 * 12/2018 Zarpellon F16M 11/041

FOREIGN PATENT DOCUMENTS

CN 305679769 * 4/2020
CN 306004572 * 8/2020
EM 000975685-0002 * 8/2008
GB 2526637 B 9/2016
GB 6109313 * 12/2020
HK 2118937-0001 * 2/2022
JP D1463826 * 3/2013
WO 2020065289 A1 4/2020
WO D215351-001 * 10/2021

OTHER PUBLICATIONS

Vello Universal Accessory Shoe Mount, product availability date unknown [online], no video/pictured review [online], [site visited Jun. 17, 2022]:URL:<https://www.bhphotovideo.com/c/product/743059-REG/Vello_CS_WN_Universal_Accessory_Shoe_Mount.html> (Year: 2022).*

DJI Ronin 2 Universal Tripod Adapter, product availability date unknown [online], no video/pictured review [online], [site visited Jun. 17, 2022]:URL:<https://www.bhphotovideo.com/c/product/1431713-REG/dji_cp_rn_00000002_01_ronin_2_part_60.html> (Year: 2022).*

Zacuto ACT Mounting Plate, product availability date unknown [online], no video/pictured review [online], [site visited Jun. 17, 2022]:URL:<https://www.bhphotovideo.com/c/product/1547860-REG/zacuto_z_amp_act_mounting_plate.html> (Year: 2022).*

Zacuto VCT Pro Tripod Dock, product availability date unknown [online], no video/pictured review [online], [site visited Jun. 17, 2022]:URL:<https://www.bhphotovideo.com/c/product/1302910-REG/zacuto_z_vct_pd_vct_pro_dock.html> (Year: 2022).*

LanParte Monopod V-Lock Plate, product availability date unknown [online], no video/pictured review [online], [site visited Jun. 17, 2022]:URL:<https://www.bhphotovideo.com/c/product/1448839-REG/lanparte_mvlp_01_monopod_v_lock_plate.html> (Year: 2022).*

Kupo Quick Release Assembly and Camera Plate, product availability date unknown [online], no video/pictured review [online], [site visited Jun. 17, 2022]:URL:<https://www.bhphotovideo.com/c/product/1525258-REG/kupo_kg093611_quick_release_camera_plate.html> (Year: 2022).*

Camvate Wall/Ceiling Plate with Mounting Stud, product availability date unknown [online], no video/pictured review [online], [site visited Jun. 17, 2022]:URL:<https://www.bhphotovideo.com/c/product/1646318-REG/camvate_c2734_wall_ceiling_mount_with_ball.html> (Year: 2022).*

* cited by examiner

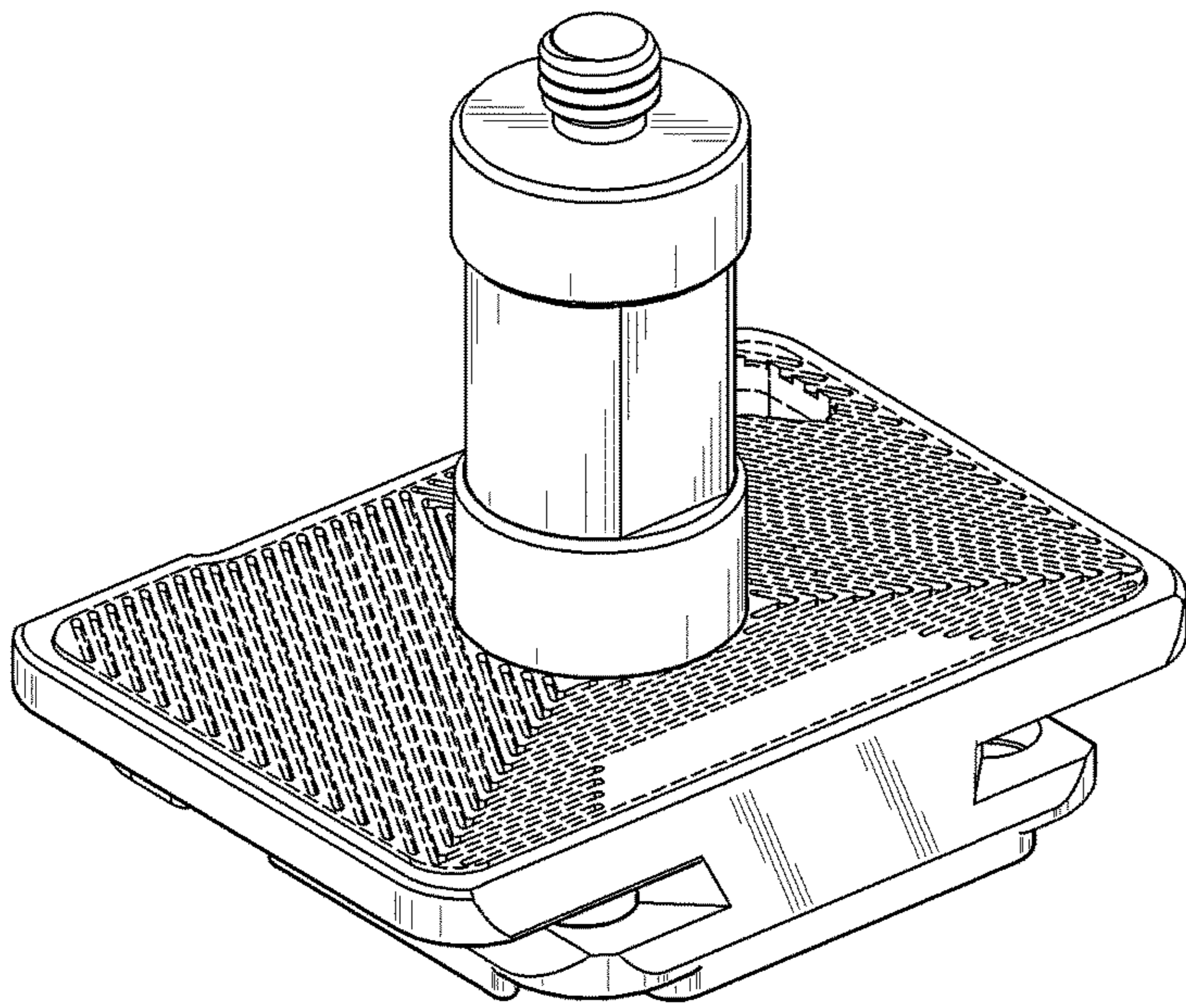


FIG. 1

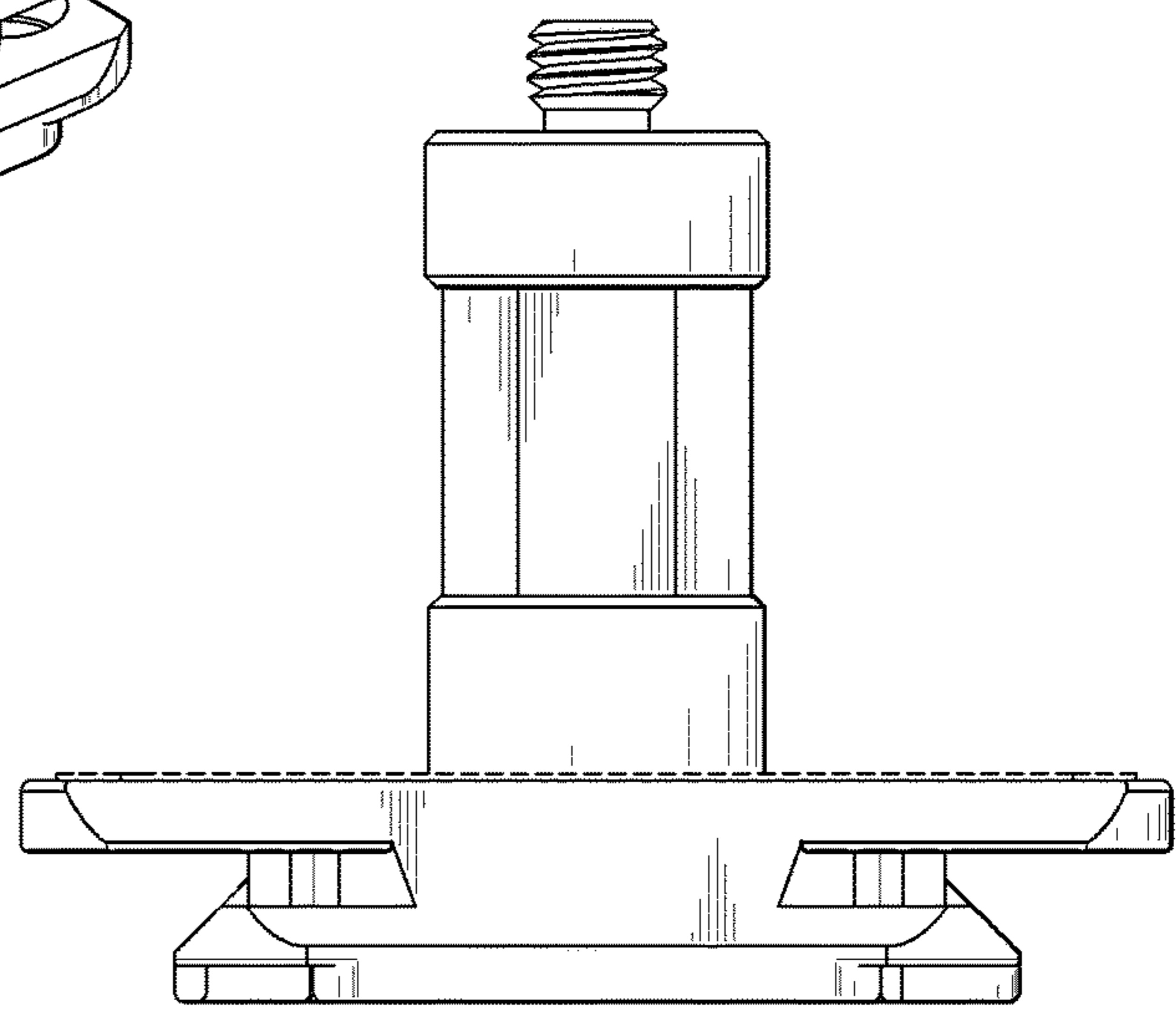


FIG. 3

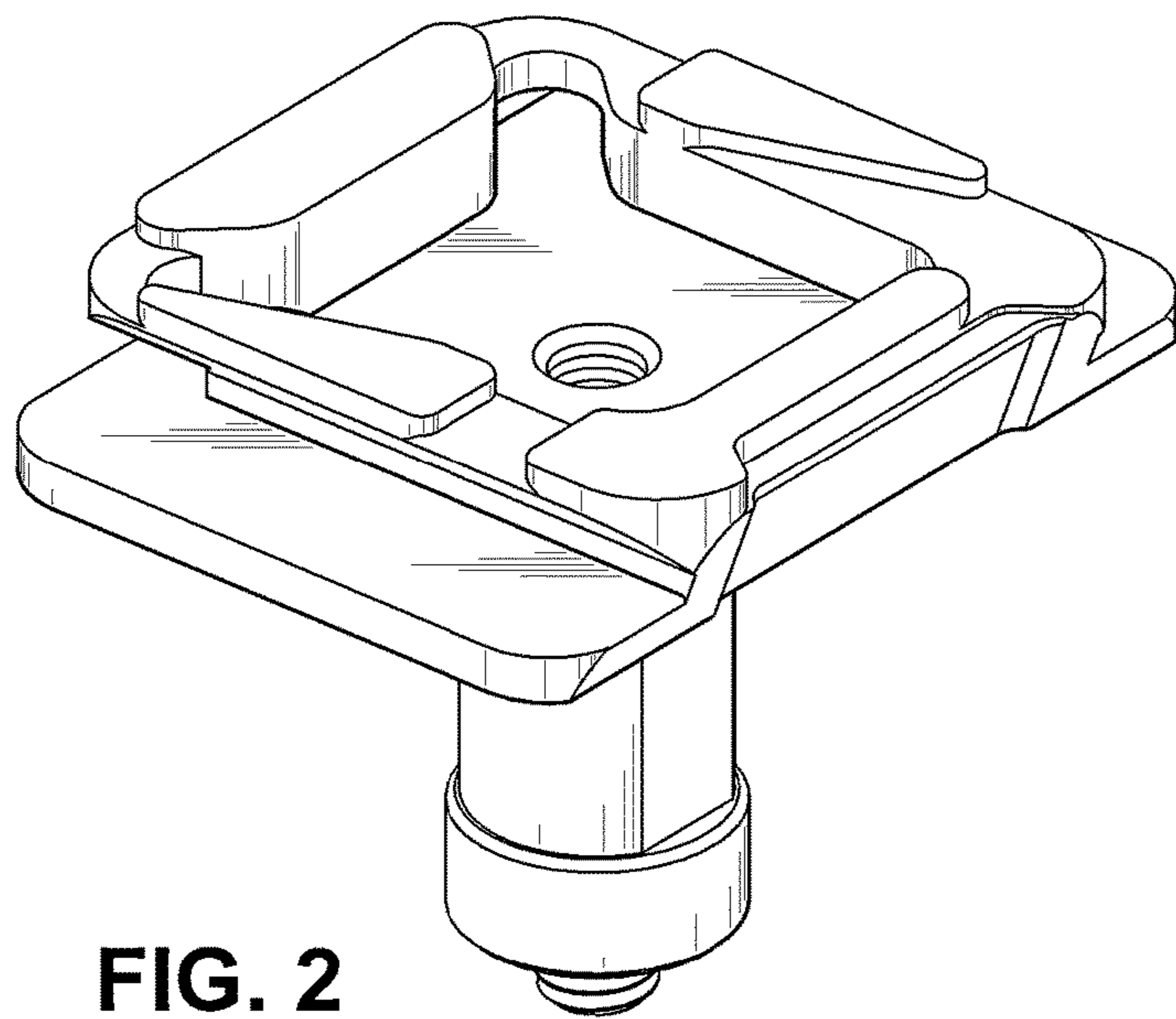


FIG. 2

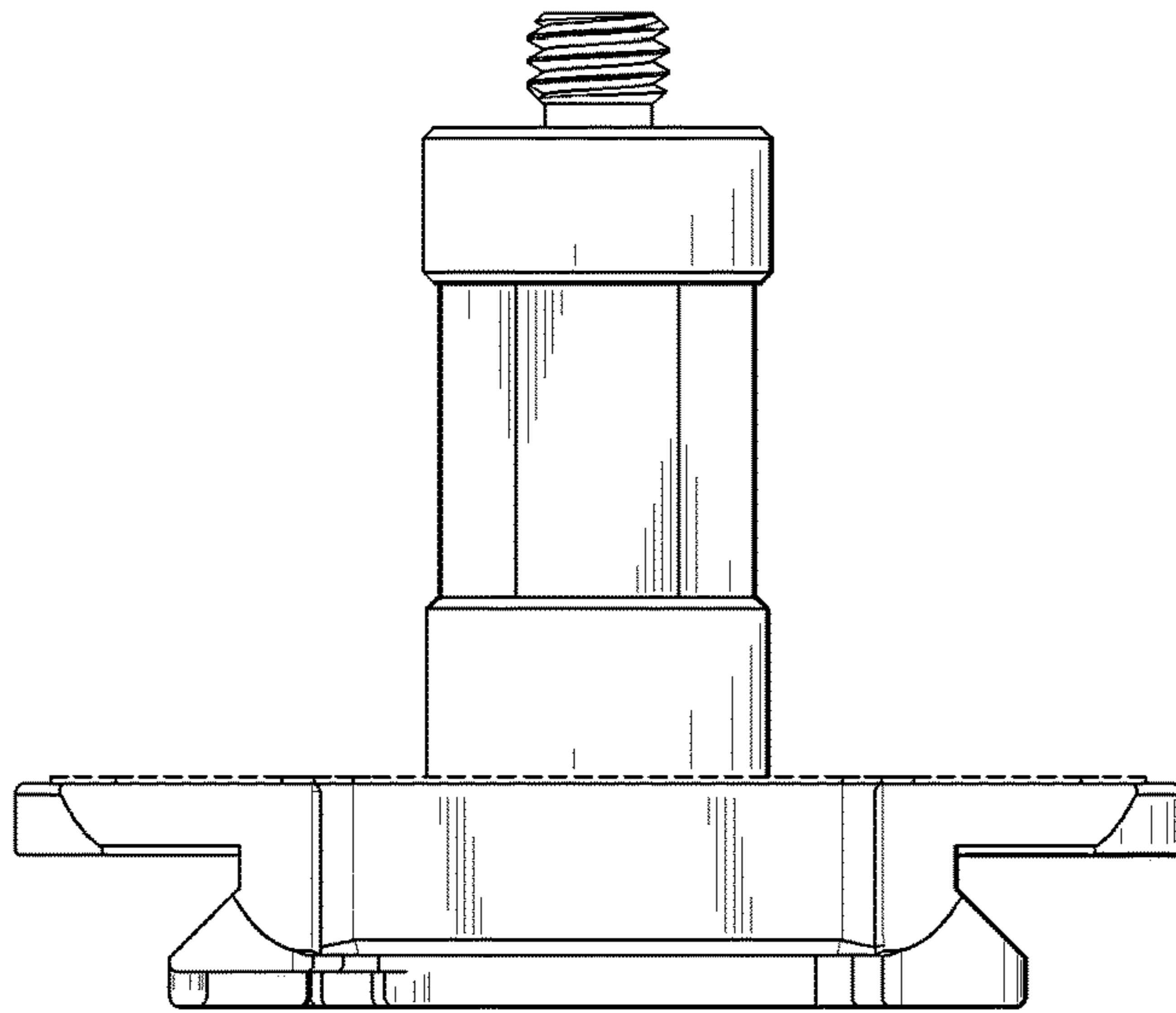


FIG. 4

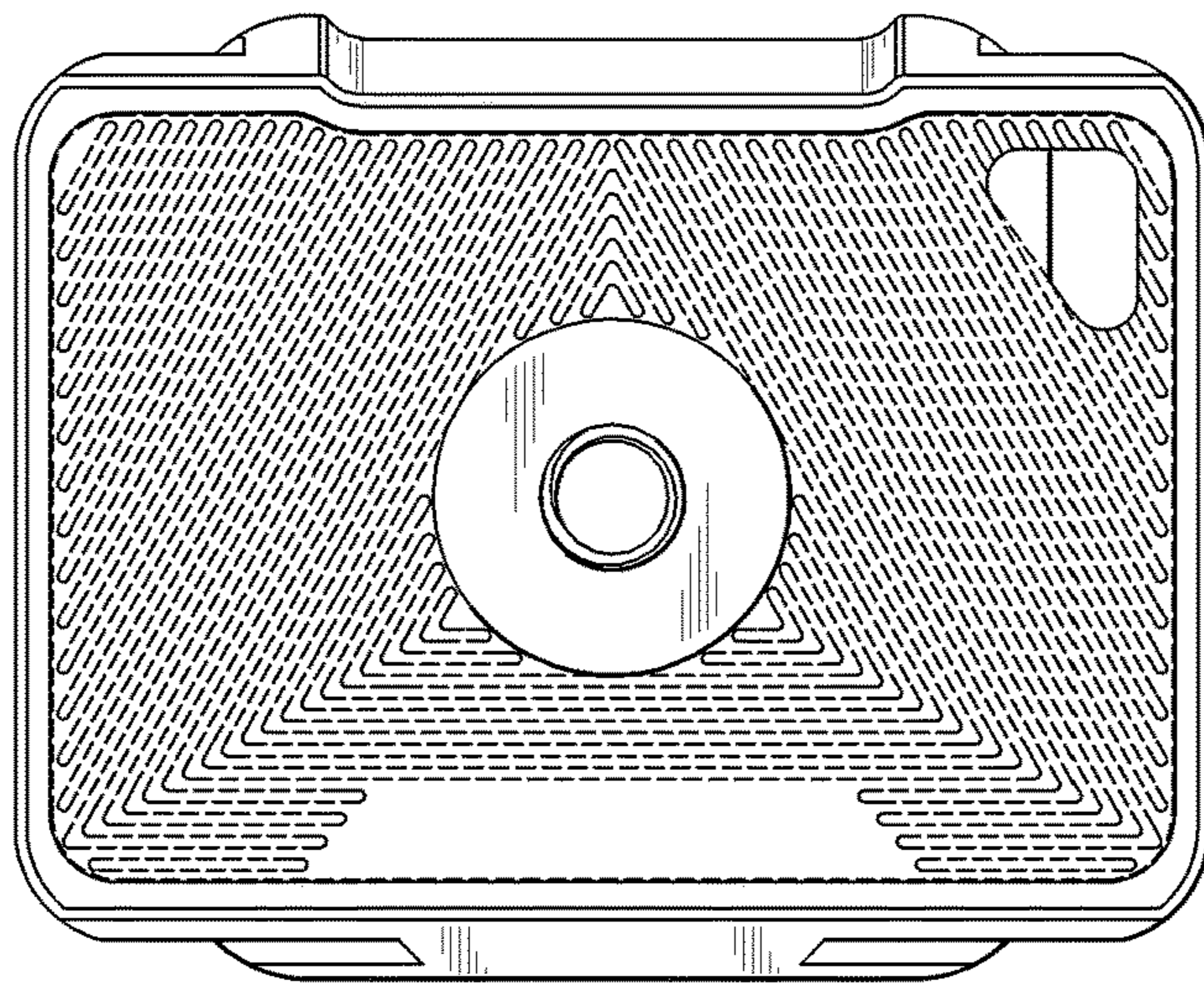


FIG. 5

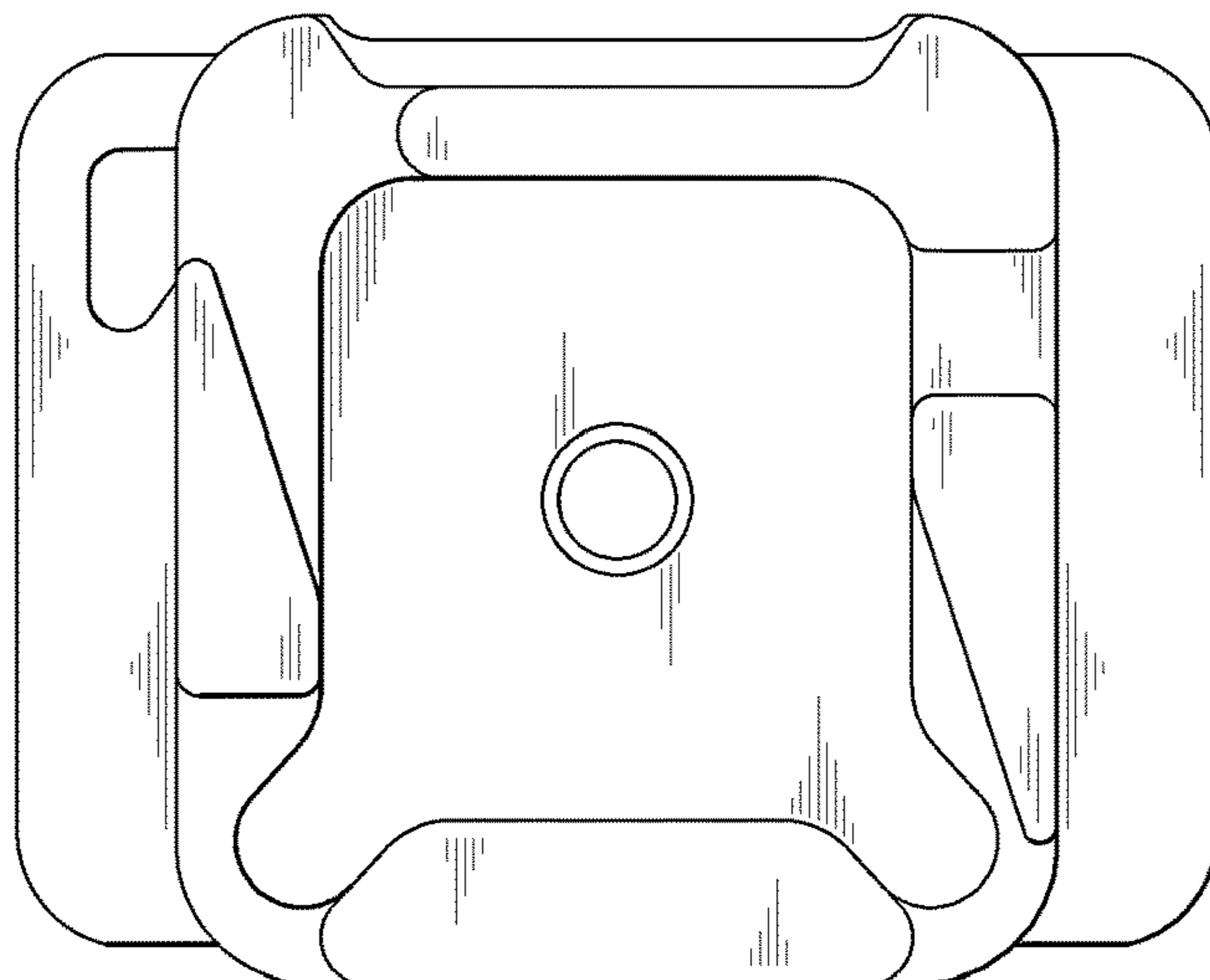


FIG. 6

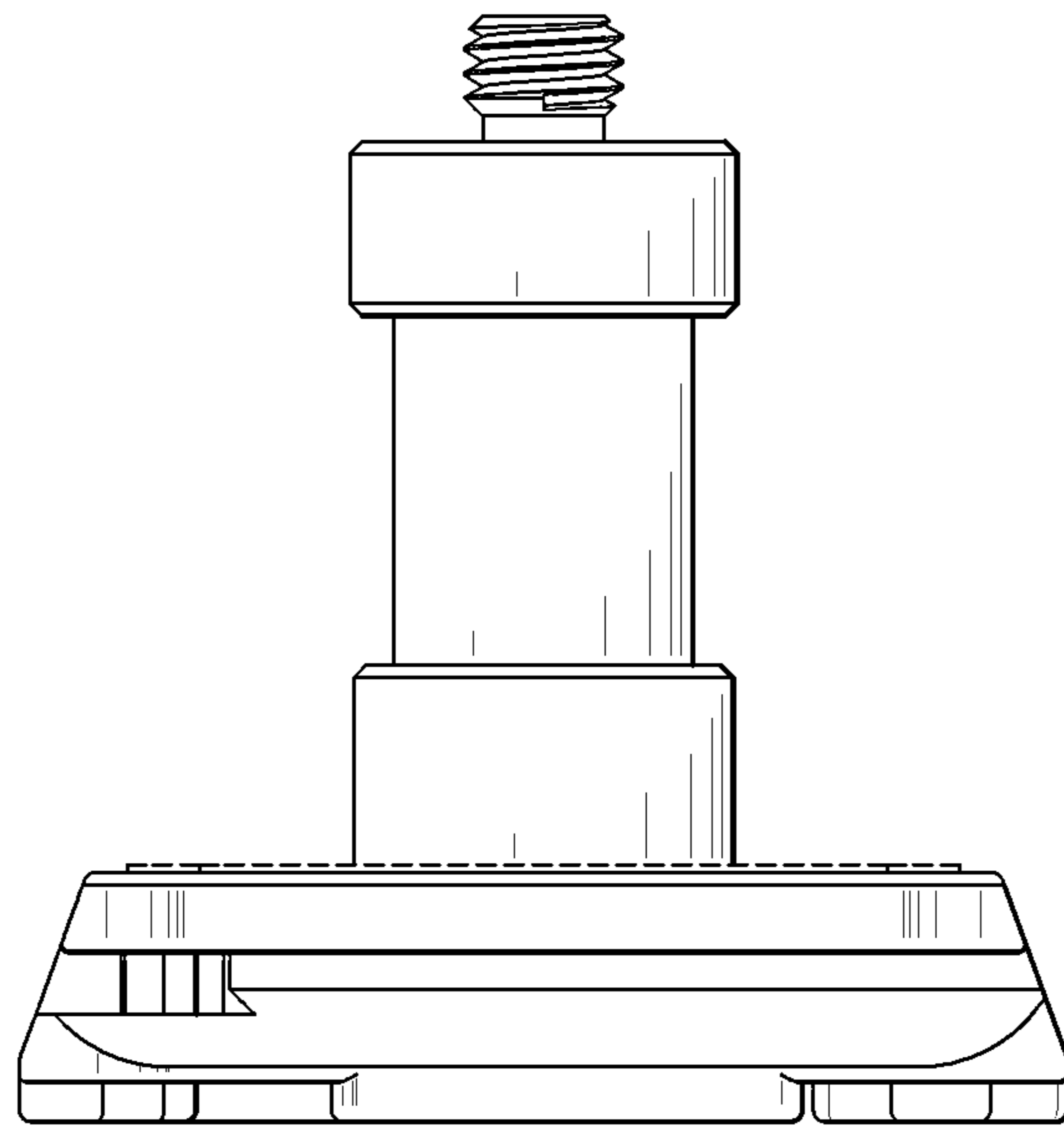


FIG. 7

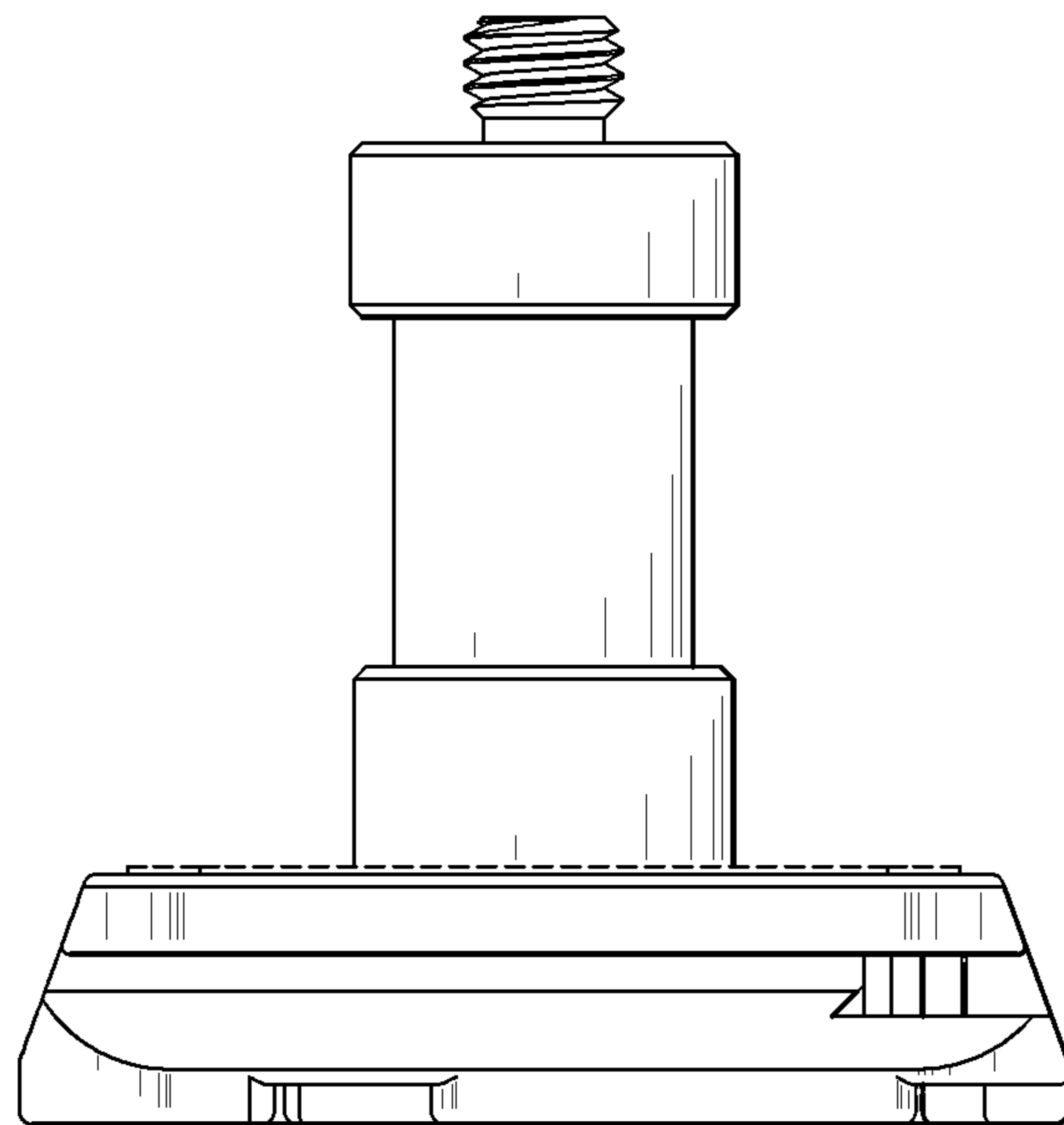


FIG. 8